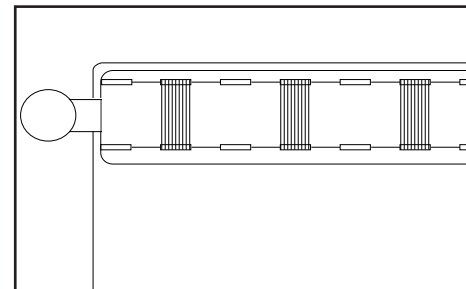
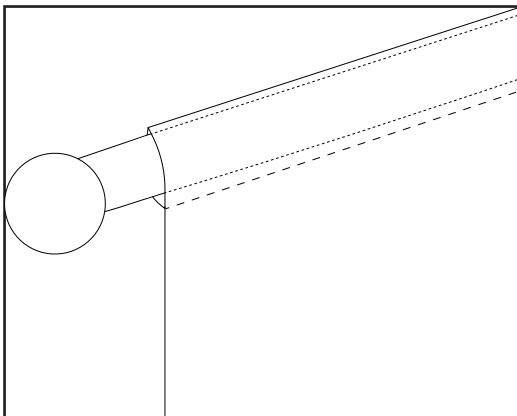


Multiway Header Instructions.

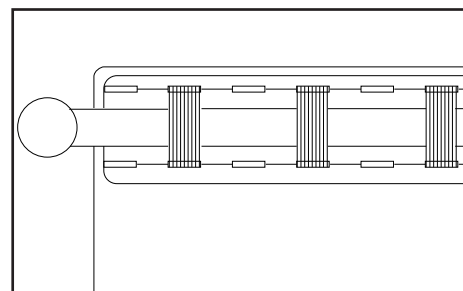
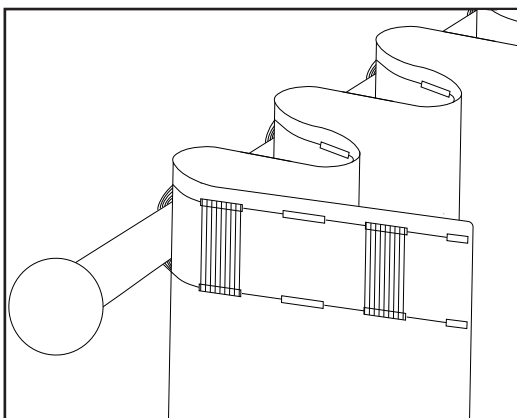
This item has been designed to offer choice in header type to suit your home style. You can choose from three looks - slot top, hidden tab and pencil pleat. There's no permanent fixing required so your chosen header style can be changed easily. To use all 3 headers a curtain pole is required. The pencil pleat option can be used with a track.

Slot Top



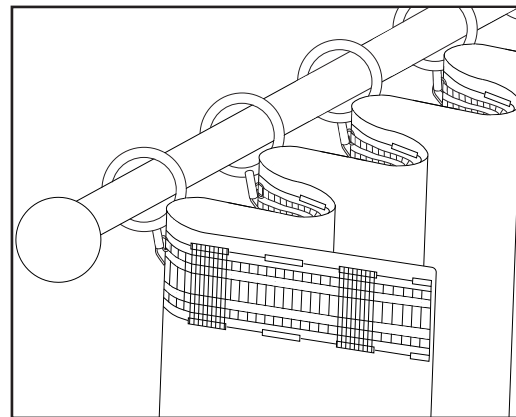
For this header type simply slide the pole into the gap between the fabric face and header tape.

Hidden Tab



For this header type fold the curtain in between the hidden tabs and slide the pole underneath the tabs. This is a similar process to hanging an eyelet curtain onto a pole.

Pencil Pleat

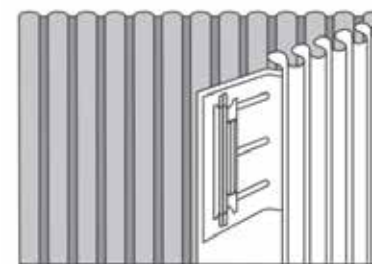


Setting the width

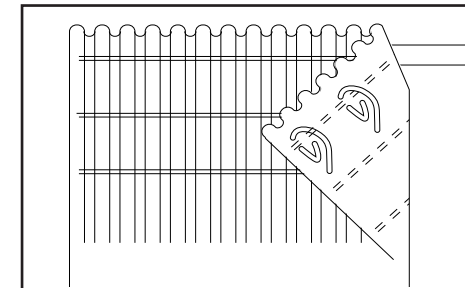
Step 1: Measure the total length of the track or pole, including any overlap and divide by two to give the correct width for each curtain. If your curtains include part of half-widths, then position them at the outer edge of the window.

Step 2: Knot the three drawn cords on the inside curtain edge. Pull the three cords at the outside curtain edge at the same time and gather the curtain in even pleats to the desired width.

Step 3: Tie off the cord and wind any surplus cord onto the cord tidy provided. Do not cut the excess cord as you may need to let the pleats out to wash or dry clean your curtains.



Pencil Pleat



Hanging pencil pleat curtains

Step 1: For pencil pleat curtains, insert the heading tape hooks into the top row of pockets for the heading to cover the track.

Step 2: Insert a hook at each end of the tape, then at approximately 8cm intervals across the curtain.

Step 3: Check you have the same number of hooks on each curtain as gliders or rings on your pole or track. Don't forget to count the fixed end stop when counting the gliders on your track.

To adjust the heading tape on your curtains

Knot the three cords together at both ends of the heading tape.

Gently draw the cords from one end and gather to create the pleats to the required width.

Take the cords and thread onto the cord tidy.

Wind the excess cord around the cord tidy keeping it tight to the header tape.

Once you have reached the end of the cord, finish winding by sliding the end into one of the two slots on the cord tidy. The cord tidy will sit against the header tape and should not be seen from the front of the curtain.

Do not cut off the surplus cord as you will need to straighten the curtain heading again for cleaning.