

JOHN  
LEWIS

& PARTNERS

# Elementary Cot Bed

Stock number: 324 08501 / 324 08502 / 324 08503



IMPORTANT RETAIN FOR FUTURE REFERENCE READ CAREFULLY

H87.3 W 144 D 75cm

Thank you for purchasing this Elementary Cot Bed. Please read the instructions and warnings carefully before use to ensure safe and satisfactory operation of this product.

Your child's safety is your responsibility. If you have a query with this product or require replacement parts, please contact your nearest John Lewis department store.

Lay out the parts on a soft level surface and compare to the part/fixings checklist on page 3. Do not discard any packaging until you are sure that you have all the parts.

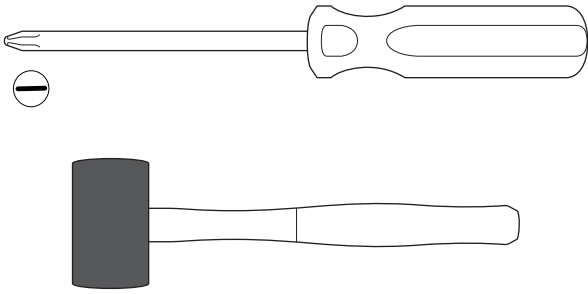
Keep children clear during assembly as pack contains small parts which may present a choking hazard.

Recommended mattress: 70 x 140cm

This product complies with EN 716-1-2:2017+AC:2019 and BS 8509: 2008 + A1: 2011

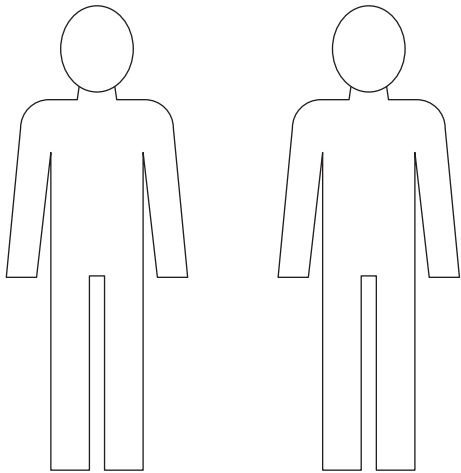
The John Lewis Team

Tools required



Time to assemble  
1 Hours

People to assemble



# Important Safety information

## Warnings

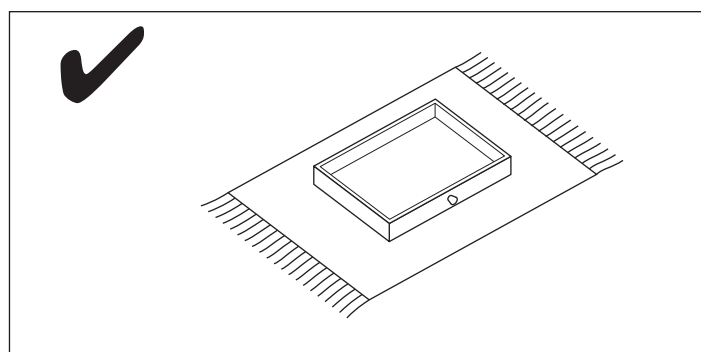
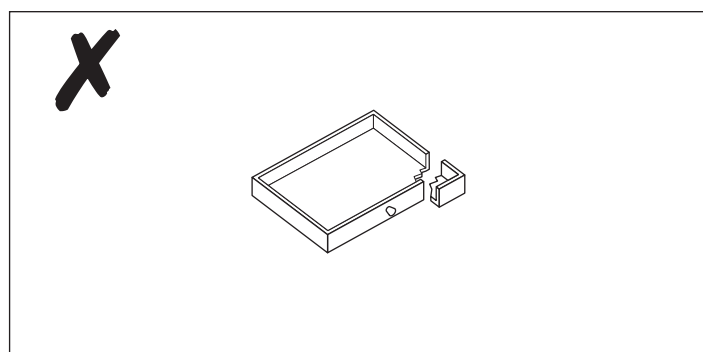
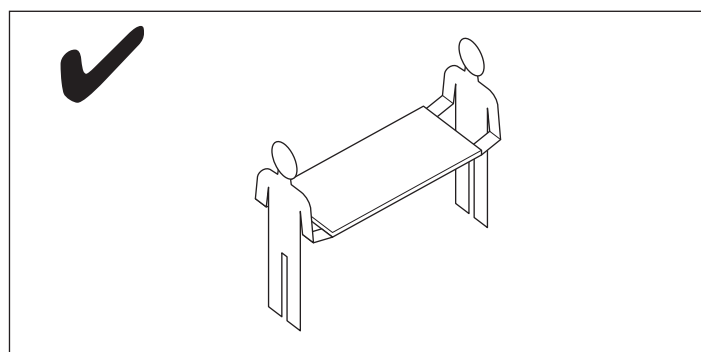
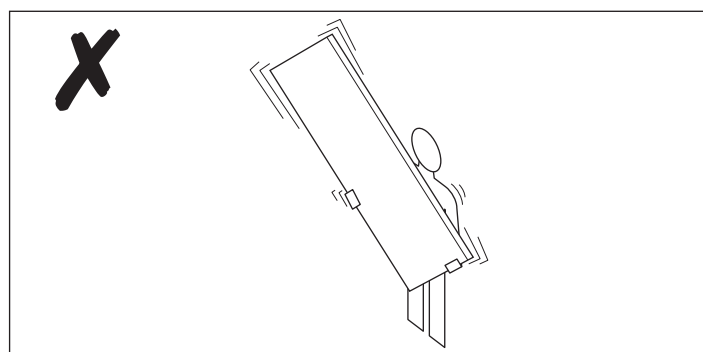
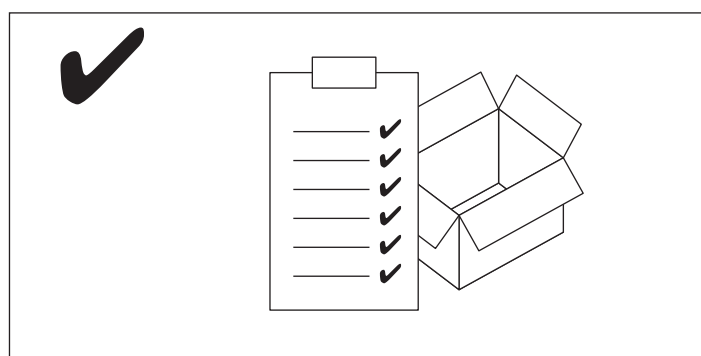
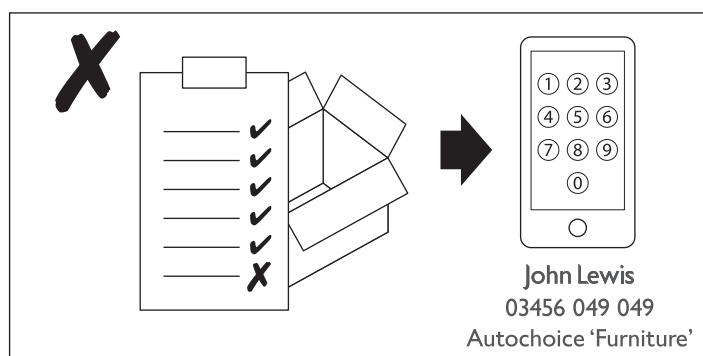
- ⚠ The product should only be used on firm, level ground.
- ⚠ Keep small parts out of reach of children.
- ⚠ Ensure the product is fully assembled as illustrated before use.

## Do's

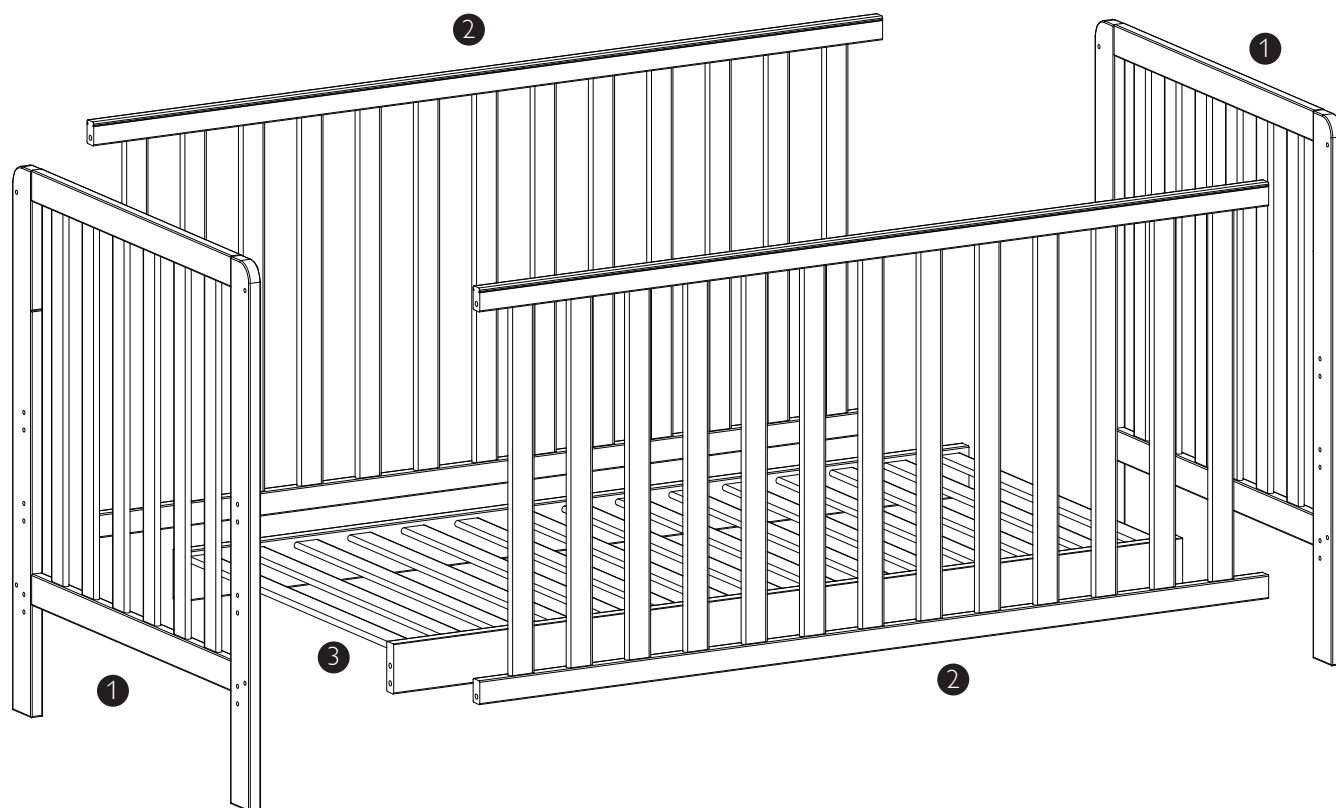
- ✓ Check the pack and make sure you have all the parts listed.
- ✓ Check all screws or bolts are tightened and inspect regularly.
- ✓ Make sure the legs remain in contact with the ground at all times.

## Don'ts

- ✗ Do not over tighten screws or bolts.
- ✗ Do not stand on the product.
- ✗ Do not use power tools to construct as overtightening and panel failure may occur.



# Your cot bed



Ref	Description	Dimensions	Qty
①	Ends	873mm x 752mm x 21mm	2
②	Cot side	1400mm x 664mm x 21mm	2
③	Base	1400mm x 700mm x 80mm	1

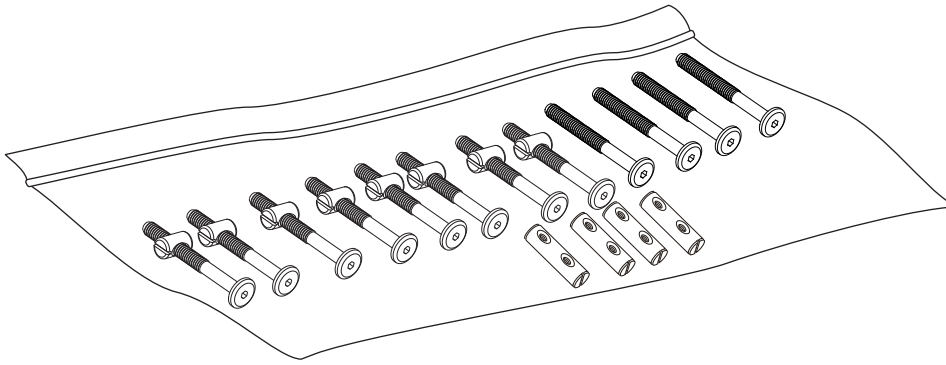
Internal dimensions

Stock number : 324 08501

Cot bed overall size: H87.3 W 144 D 75cm

Cot bed internal size: H62 W 140 D 70cm

# Fixtures and fittings



Fixtures and fittings  
supplied (actual size)

Ref	Description	Dimensions	Qty	mm
A	Allen head screw	6mm x 60mm	16	
B	Barrel nut	10mm x 17mm	8	
C	Barrel nut	10mm x 52mm	4	

Fixtures and fittings  
supplied (not actual size)

Ref	Description	Dimensions	Qty	
F	Allen Key M4	M4 x 106mm	1	

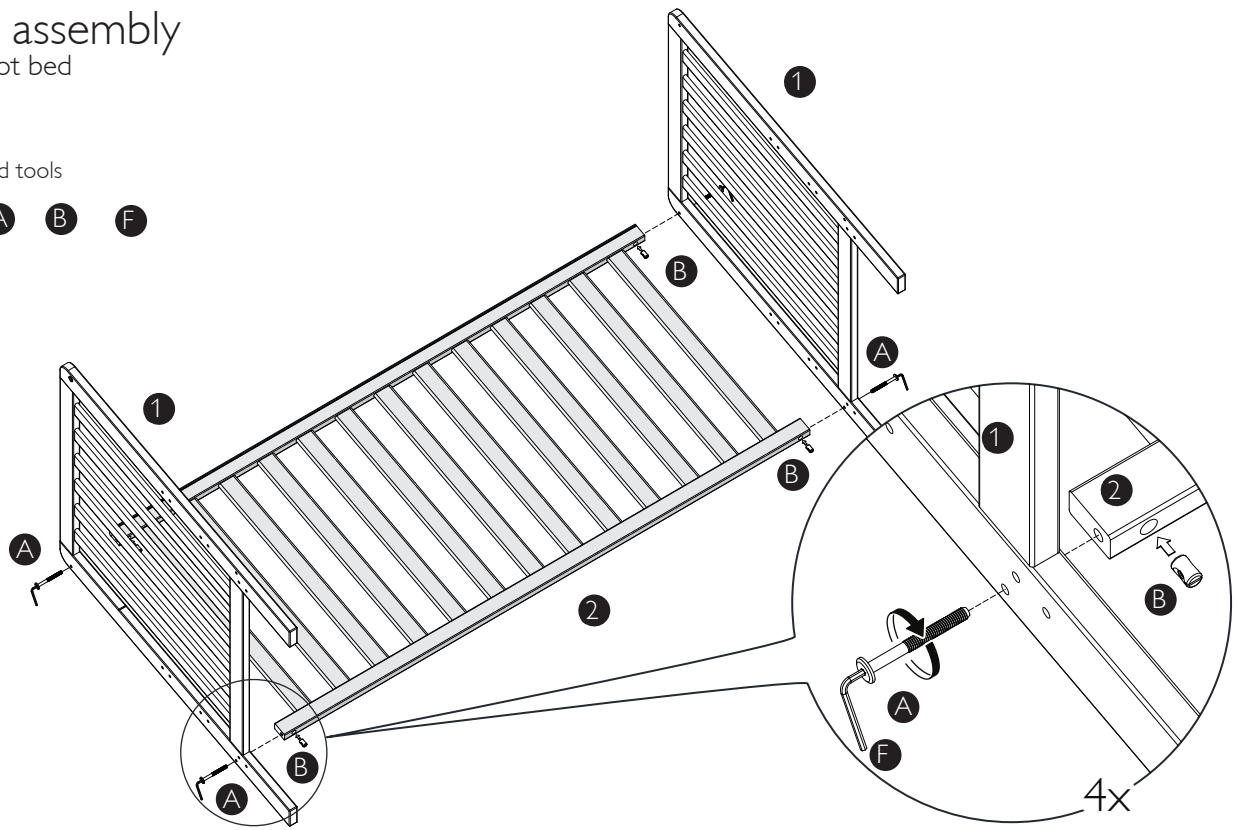
# Product assembly

## Elementary cot bed

### Step 1

Parts, fittings and tools

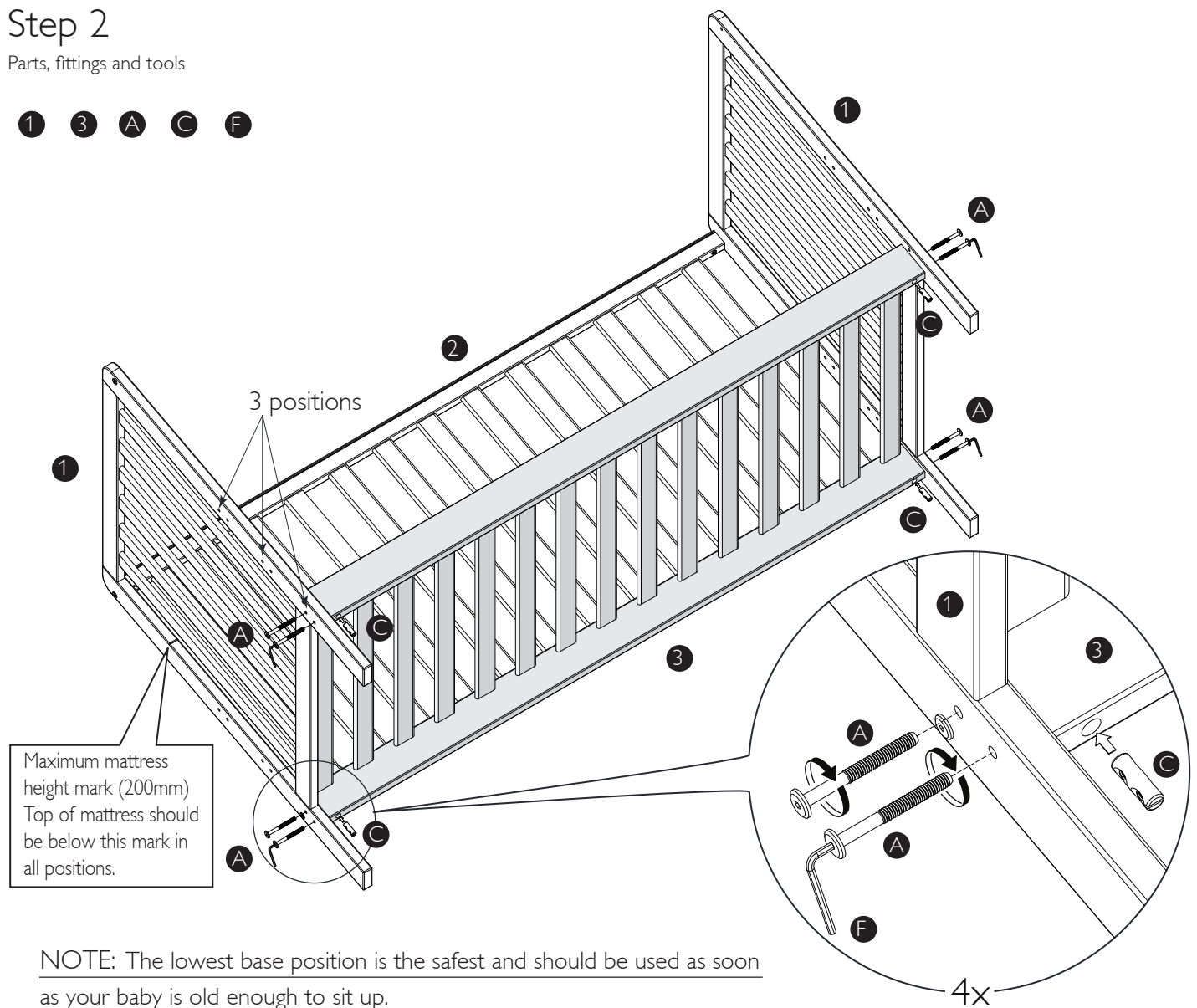
- 1 2 A B F



### Step 2

Parts, fittings and tools

- 1 3 A C F



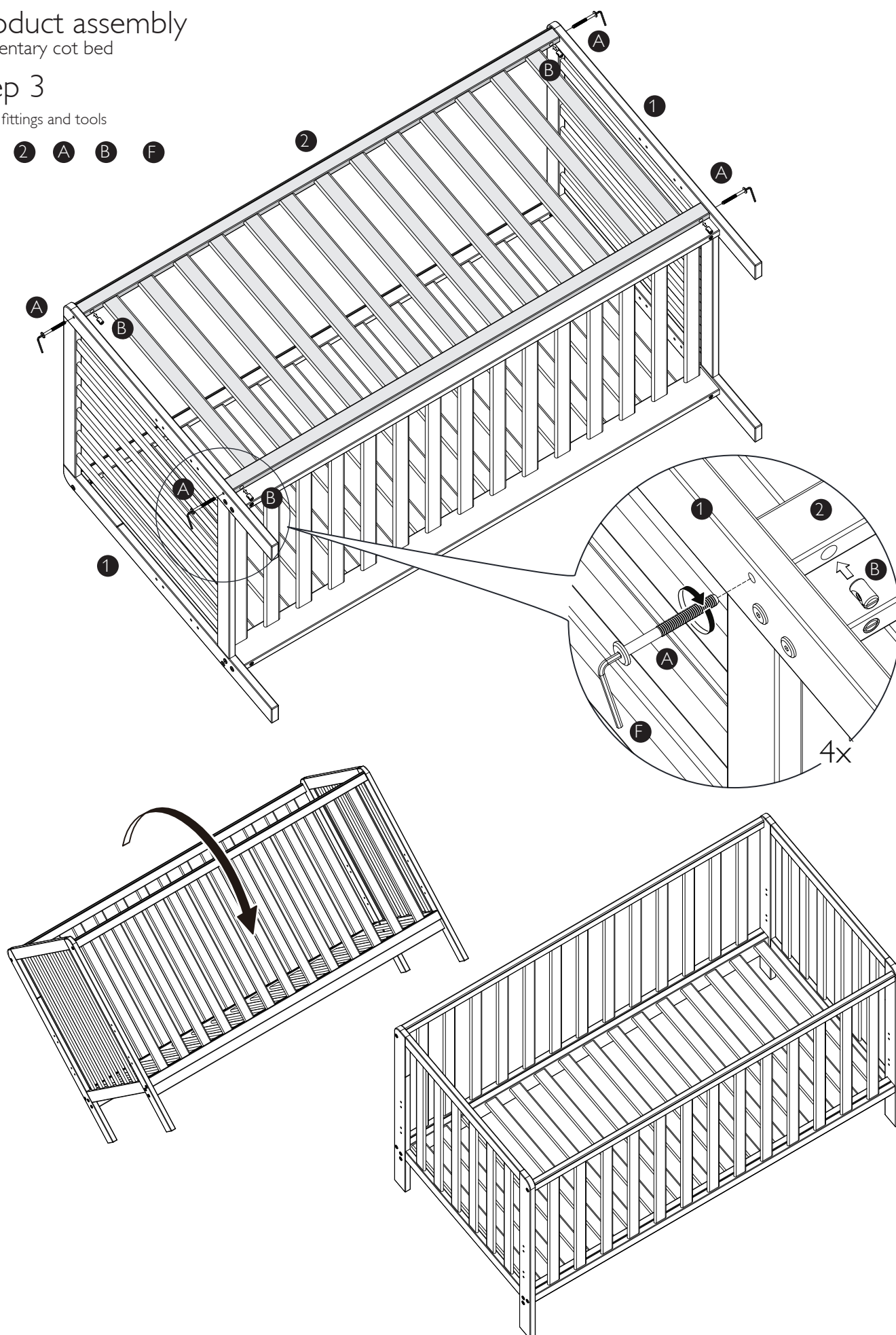
# Product assembly

## Elementary cot bed

### Step 3

Parts, fittings and tools

- 1
- 2
- A
- B
- F



This product is not designed to be dismantled for storage or transportation after assembly.

## Care and maintenance

Your furniture may be cleaned by wiping with a damp cloth and drying with a soft clean cloth.

Do not use abrasives, bleach, alcohol or ammonia-based household polishes.

Take care when handling or moving the furniture. Careless handling may cause damage.

## Safety notes

Furniture can be dangerous if incorrectly installed. Assembly should be carried out by a competent person.

Keep children clear during assembly as pack contains small parts which may present a choking hazard.

**Warning:** Be aware of the risks of open fires and other such sources of strong heat, such as electric bar fires, gas fires, etc. in the near vicinity of the cot.

**Warning :** Do not use the cot if any part is broken, torn or missing and use only spare parts approved by the manufacturer.

**Warning :** Do not leave anything in the cot or place the cot close to another product, which could provide a foothold or present a danger of suffocation or strangulation, e.g. strings, blind/curtain cords, etc.

**Warning :** Do not use more than one mattress in the cot.

The lowest base position is the safest and should be used as soon as your baby is old enough to sit up. The thickness of the mattress chosen must not reduce the internal depth (from the top of the mattress surface to the top of the side) to less than 500mm with the base in its lowest position or 200mm with the base in the highest position. See step 2 which shows the position of a mark on the cot 200mm down from the top of the cot side. The top of your mattress should never be above this mark.

The mattress should be no more than 30mm shorter or narrower than the internal length or width of the cotbed. Suitable for use with a mattress of 1400mm in length, 700mm in width and a maximum thickness of 120mm.

All assembly fixings should always be tightened properly. Periodically check all fixings to ensure none have come loose, and that there is no risk of clothing or parts of the body becoming snagged or trapped.

To prevent falls, when the child is able to climb out of the cot, the cot should no longer be used for that child.

Do not allow your child to jump on the cotbed. This may result in damage to the furniture and/or injury to your child.

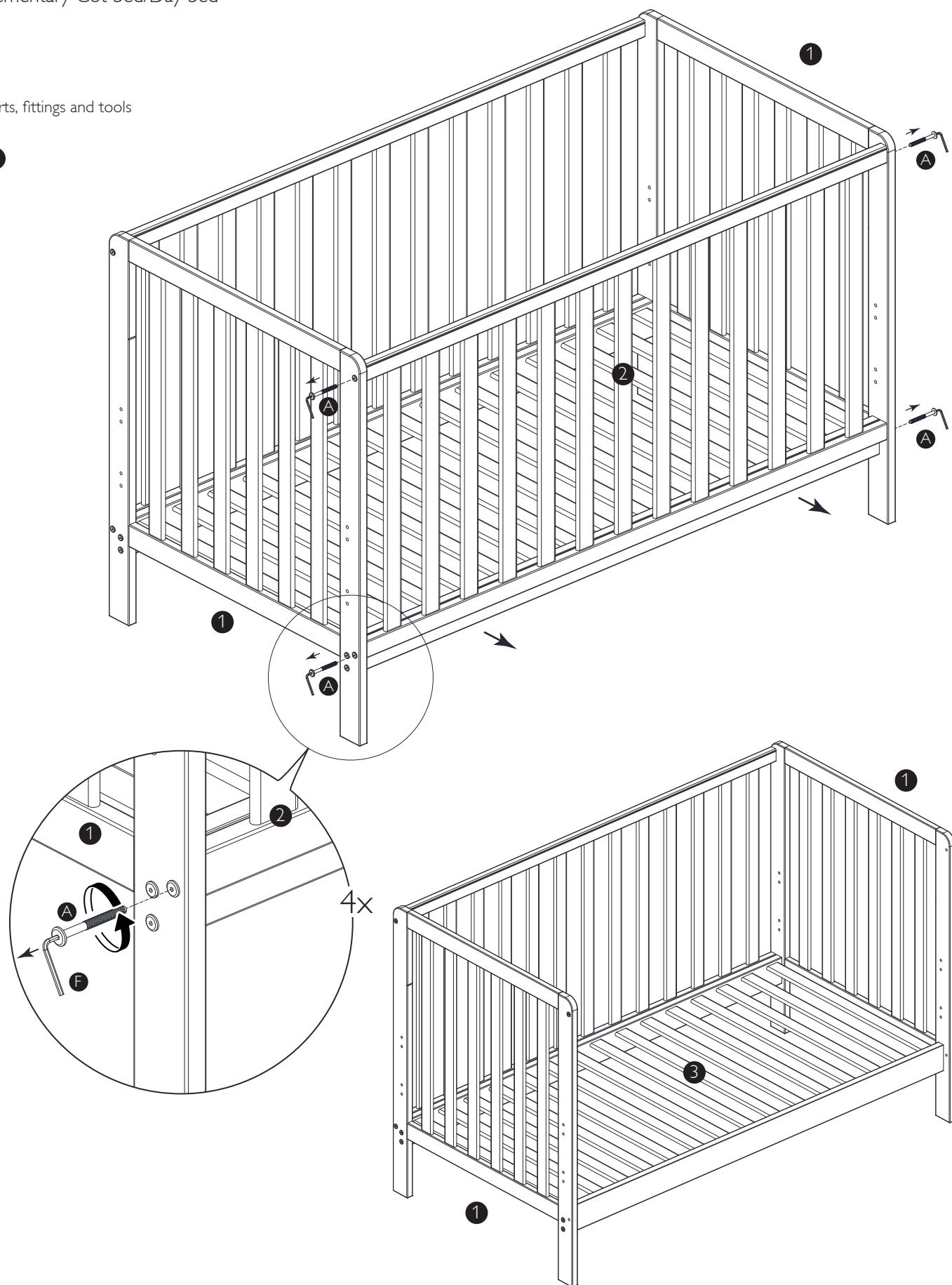


# Product assembly

## Elementary Cot bed/Day bed

Parts, fittings and tools

F



One side of the cot can be removed to enable conversion into a Cot bed/Day bed.  
This could start to be suitable for your child from 18 months at the earliest, up to a maximum of 4 years.

## Care and maintenance

Your furniture may be cleaned by wiping with a damp cloth and drying with a soft clean cloth.

Do not use abrasives, bleach, alcohol or ammonia-based household polishes.

Take care when handling or moving the furniture. Careless handling may cause damage.

## Safety notes

For ages 18 months to 4 years.

Warning: Do not place this child's bed near heat sources, windows and other furniture.

Warning: Do not use this child's bed if any part is broken, torn or missing.

The mattress should be no more than 30mm shorter or narrower than the internal length or width of the bed. Suitable for use with a mattress of 1400mm in length, 700mm in width and a maximum thickness of 120mm.

Furniture can be dangerous if incorrectly installed. Assembly should be carried out by a competent person.

All assembly fixings should always be tightened properly. Periodically check all fixings to ensure none have come loose, and that there is no risk of clothing or parts of the body becoming snagged or trapped.

Do not allow your child to jump on the bed. This may result in damage to the furniture and/or injury to your child.

Children are likely to play, bounce, jump & climb on beds, therefore the child's bed should not be placed too close to other furniture or windows, and should be placed either tight to any wall or have a gap of 300mm between the wall and the side of the bed.

Keep children clear during assembly as pack contains small parts which may present a choking hazard.

Never drag furniture when moving it, always lift it.

Please take care when handling or moving the furniture as careless handling may cause damage or injury.

Furniture can be dangerous if incorrectly installed. Assembly should be carried out by a competent person. No liability will be accepted for damage or injury caused by incorrectly installed or assembled furniture.

Retain this information leaflet for future reference.