

Product information

- Indoor use only
- Dimmable
- Clean the fitting with a soft dry cloth. Do not use abrasive chemical cleaners as this will damage the finish
- Glass parts - Remove and wash in warm water or just use a damp cloth. Do not use abrasive materials as these will damage the finish. Take care when handling glass parts to avoid damage or injury

Aftercare and Troubleshooting

You've switched on the light, but it's not working:

1. Check your power supply is switched on
2. Turn off the light and check that the bulb is inserted correctly
3. Check the bulb is still in working order

If there are technical issues with this product that you can't solve, please contact your nearest John Lewis & Partners shop or call Technical Support on 03301 230106.


Specification

Max power: 6W LED
Recommended bulb:
1 x 6W E14 Golf
Rated input: 220 –240V, 50Hz
Bulbs not included
IP rating: 20
Weight: 1.15kg

2-year guarantee

At John Lewis & Partners we test every light to high quality standards. That means we can offer you a 2-year guarantee.

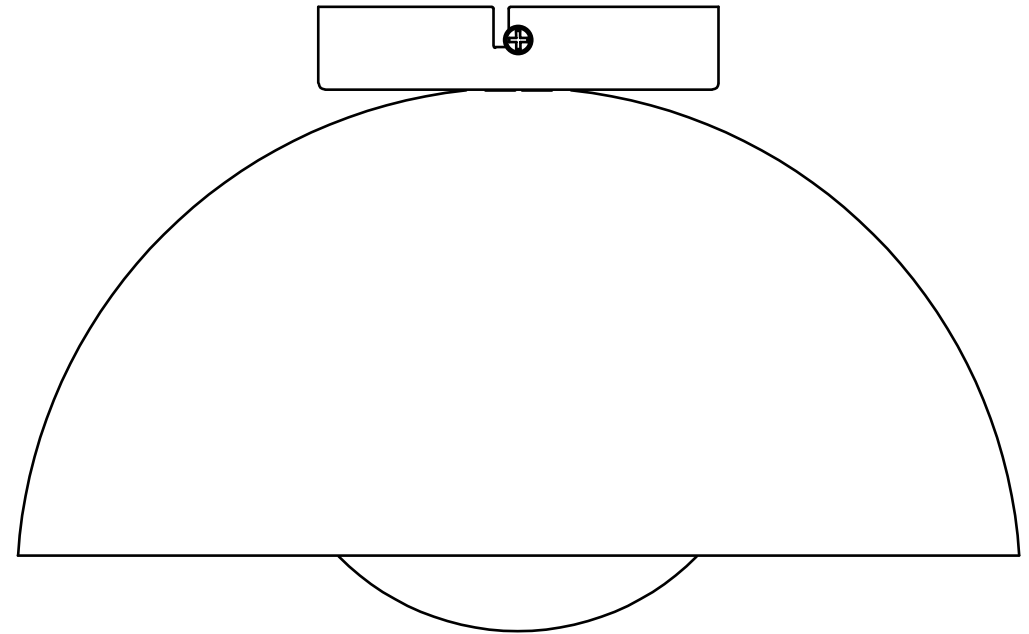
Recycling

This symbol  indicates that this product should not be treated as normal household waste and it should be recycled. John Lewis & Partners do not operate instore take back, but as members of the Distributor Take Back scheme have funded the development and upgrade of recycling facilities across the UK. Please take it to your nearest collection facility or for further details contact your local council or visit www.recycle-more.co.uk.

JOHN
LEWIS

& PARTNERS

BELL SEMI FLUSH LIGHT USER GUIDE



John Lewis plc
SW1V 2QQ
johnlewis.com

Made in China



11/12/2023

Please retain these instructions for future reference.



Product Code:
41351001

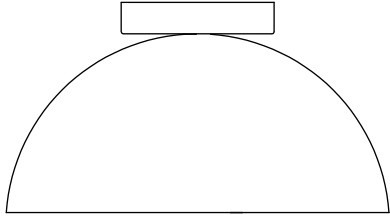
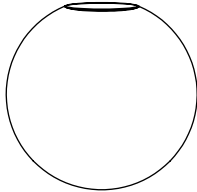
Getting started

Thank you for purchasing this John Lewis & Partners product. For your safety, and to make sure everything is working properly, please read the instructions carefully before use.

Warnings

This is a Class II product and must NOT be earthed. It is recommended that this fitting is installed by a qualified electrician. Install in accordance with the IEE Wiring regulations and the Building Regulations. To prevent electrocution switch off at mains supply before installing or maintaining this fitting. Ensure other persons cannot restore the electrical supply without your knowledge. If you are in any doubt, please consult a qualified electrician. This light fitting should be connected to a 5 amp fused circuit. If replacing an existing fitting, make a note of the connections. Always use the correct type and wattage bulb. Never exceed the wattage stated. When changing a bulb always switch off at the mains and allow to cool down. Dispose of used bulbs carefully. This product is suitable for indoor use only on surfaces with normal flammability e.g. wood, plasterboard, masonry. It is not suitable for use on highly flammable surfaces (e.g. polystyrene, textiles). For your safety, always switch off the supply and allow the fitting to cool down before changing lightbulbs, cleaning, removing shades or adjusting the light's position.

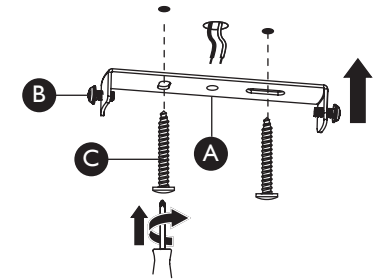
Parts list

Description	Image	Quantity
Light fitting		x 1
Shade		x 1

Product assembly

Step 1

Refer to assembly diagrams right. Carefully unpack the carton, making sure all the parts are present before assembly. Before removing the existing fitting, carefully note the position of each set of wires.

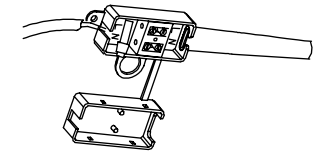


Step 2

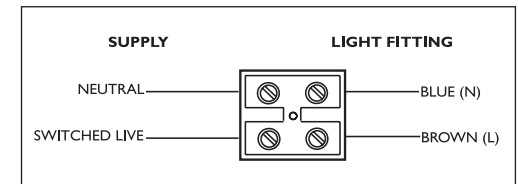
Remove the fixing bracket (A) from the ceiling cover by removing side screws (B) and attach to the ceiling using the appropriate screws (C). Ensure there is a joist at the point of fixing to support the weight of the product. Take care to avoid damaging any concealed wiring and pipes.

Step 3

Having identified the household wiring from your existing light fitting, connect to the connection block inside the product as shown. When completed, ensure that there are no bare or loose strands of wire exposed, and cover all exposed areas of the connection block with 2 layers of insulation tape.

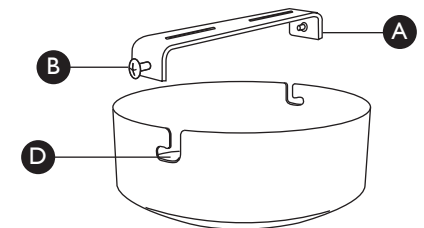


Check that: You have correctly identified the house wires. The connections are tight. No loose strands have been left out of the connection block. The lid is fitted back onto the terminal block case.



Step 4

Locate the "L" slots (D) around the small screws (B) on the fixing bracket (A). Rotate the ceiling cover to attach the product to the strap. Tighten the screws to secure. Take care not to trap any wiring.

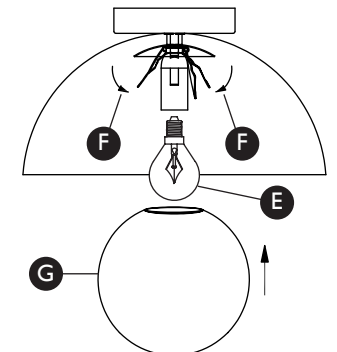


Step 5

Fit the recommended bulb (E).

Step 6

Attach the glass shade by pushing together the shade fixing clips (F), and slot the shade (G) over them. Slowly release the clips to avoid breaking the shade.



Step 7

Your light is now ready to use.