

## Product information

- Indoor use only
- Non-dimmable
- Replacement bulbs should be the same type and rating, available from John Lewis Partners or other established brands
- Clean the fitting with a soft dry cloth. Do not use abrasive chemical cleaners as this will damage the finish

## Aftercare and Troubleshooting

### You've switched on the light, but it's not working:

1. Check your power supply is switched on
2. Turn off the light and check that the bulb is inserted correctly
3. Check the bulb is still in working order

If there are technical issues with this product that you can't solve, please contact your nearest John Lewis & Partners shop or call Technical Support on 03301 230106.


## Specification

Max power: 2 x 7W  
Recommended bulb:  
7W LED E27 GLS bulb for maximum brightness.  
Lower wattages are also suitable.  
Rated input: 220 –240V, 50Hz  
Bulbs not included  
IP rating: 20  
Weight: 5.87kg

## 5-year guarantee

At John Lewis & Partners we test every light to high quality standards. That means we can offer you a 5-year guarantee.

## Recycling

This symbol  indicates that this product should not be treated as normal household waste and it should be recycled. John Lewis & Partners do not operate instore take back, but as members of the Distributor Take Back scheme have funded the development and upgrade of recycling facilities across the UK. Please take it to your nearest collection facility or for further details contact your local council or visit [www.recycle-more.co.uk](http://www.recycle-more.co.uk).

John Lewis plc  
SW1V 2QQ  
[johnlewis.com](http://johnlewis.com)

Made in China



10/04/2024

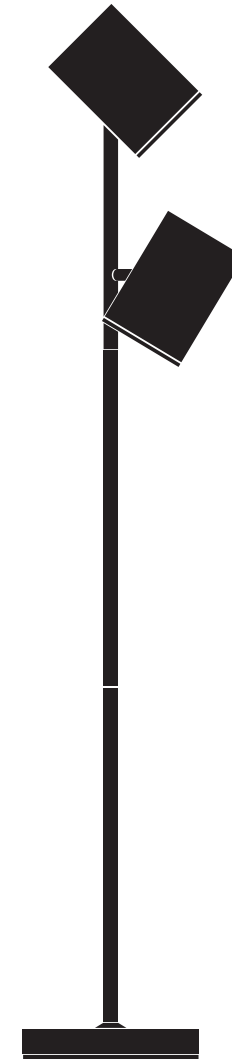
Please retain these instructions for future reference.

# ANYDAY

## JOHN LEWIS

### & PARTNERS

## Double Head 2 Light Floor Lamp User Guide



Product Code:  
12060204

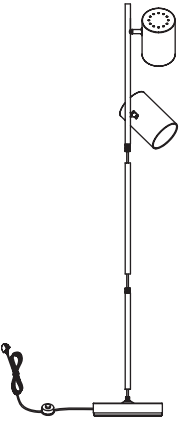
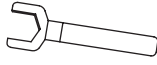
## Getting started

Thank you for purchasing this John Lewis & Partners product. For your safety, and to make sure everything is working properly, please read the instructions carefully before use.

## Warnings

This is a Class II product and must NOT be earthed. Please read these instructions carefully before commencing any work. Your lamp has been packaged as separate parts to prevent damage during transit. When manoeuvring or assembling this product, it must be lifted from the bottom section. The lamp must be protected by a 3 amp fuse in the mains plug. If you are in any doubt, please consult a qualified electrician. For your safety, always switch off the supply before cleaning or changing the bulb. If the mains cable becomes damaged it must only be replaced by a technically competent, qualified person. Always use correct type and wattage bulb. Never exceed the wattage stated.

## Parts list

Description	Image	Quantity
Light fitting (3 sections + base)		x 1
Spanner		x 1

## Product assembly

### Step 1

Carefully unpack the carton, making sure all the parts are present before assembly.

Screw tube (B) onto tube (A) in a clockwise direction. Take care not to trap the cable or cross the thread. Then screw tube (C) on to tube (B) in the same way.

Gently pull any excess cable through from under the base (D) and then out through the side of the base. Turn the completed assembly anticlockwise approximately 6 times (Turning the tubes anticlockwise first ensures that the cable will straighten when the tubes are fully assembled). Screw the assembly in a clockwise direction on to the base.

Secure at the bottom of the base using the spanner (E). Take care not to trap the cable or cross the threads, firmly tighten the tube by hand.

Fit the bulb (F). **Do not exceed the recommended rated power as this may cause damage to the light fitting.**

Unbundle the cable from the cable tie. Your floor lamp is now ready to use. Switch on using the floor switch.

**NOTE:** The angle of the shades can be adjusted to the appropriate angle as needed.

The head may become hot during use. Always switch off and allow to cool before adjusting the lamphead.

