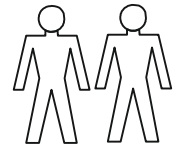


*DO NOT DRAG
2 MAN LIFT*

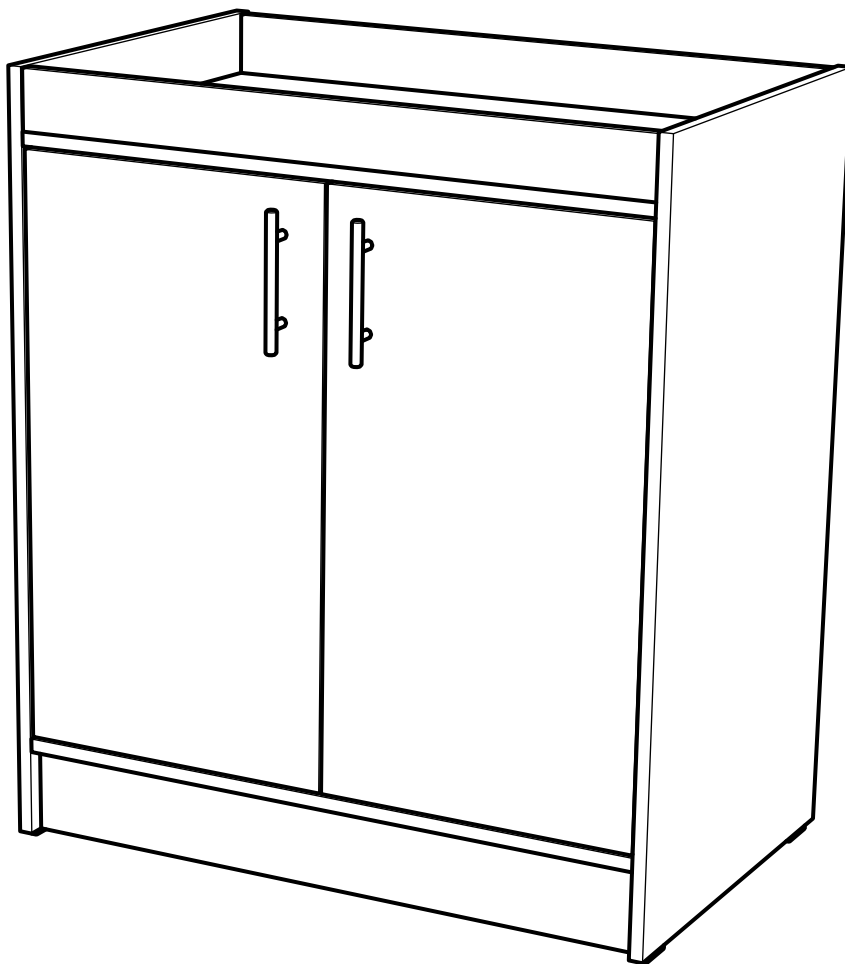
Athena



Dresser

IND. 4021011

Assembly instruction

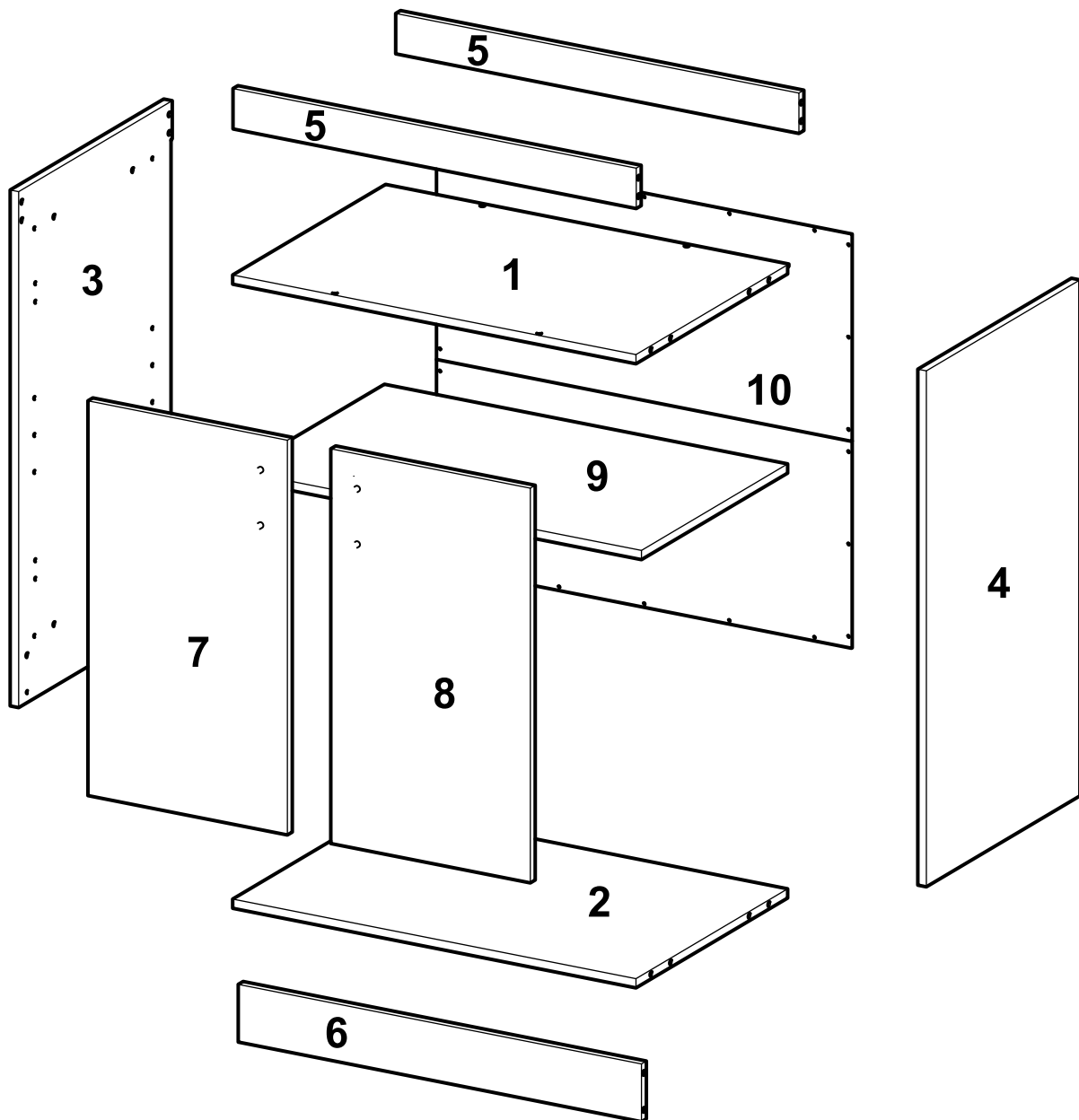




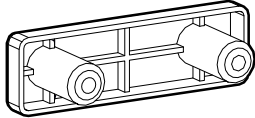
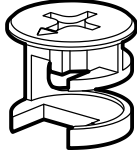
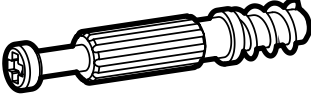
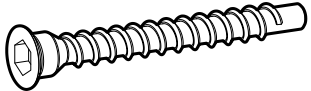


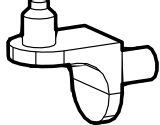
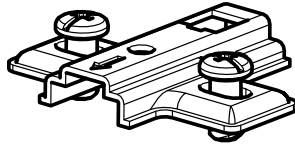
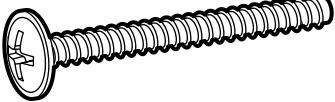
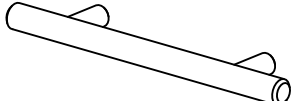
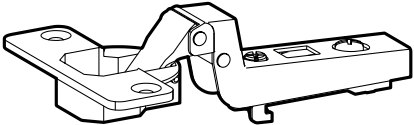

**IMPORTANT: RETAIN FOR FUTURE REFERENCE:
READ CAREFULLY**

BEFORE ASSEMBLY:


MAIN COMPONENTS

- unpack all the parts and identify them against the fittings and components list.
- do not discard any packaging until you have checked that you have all parts as shown below.
- you may find the construction of your dresser easier if you have the help of another person.
- crosshead screwdriver (not provided)

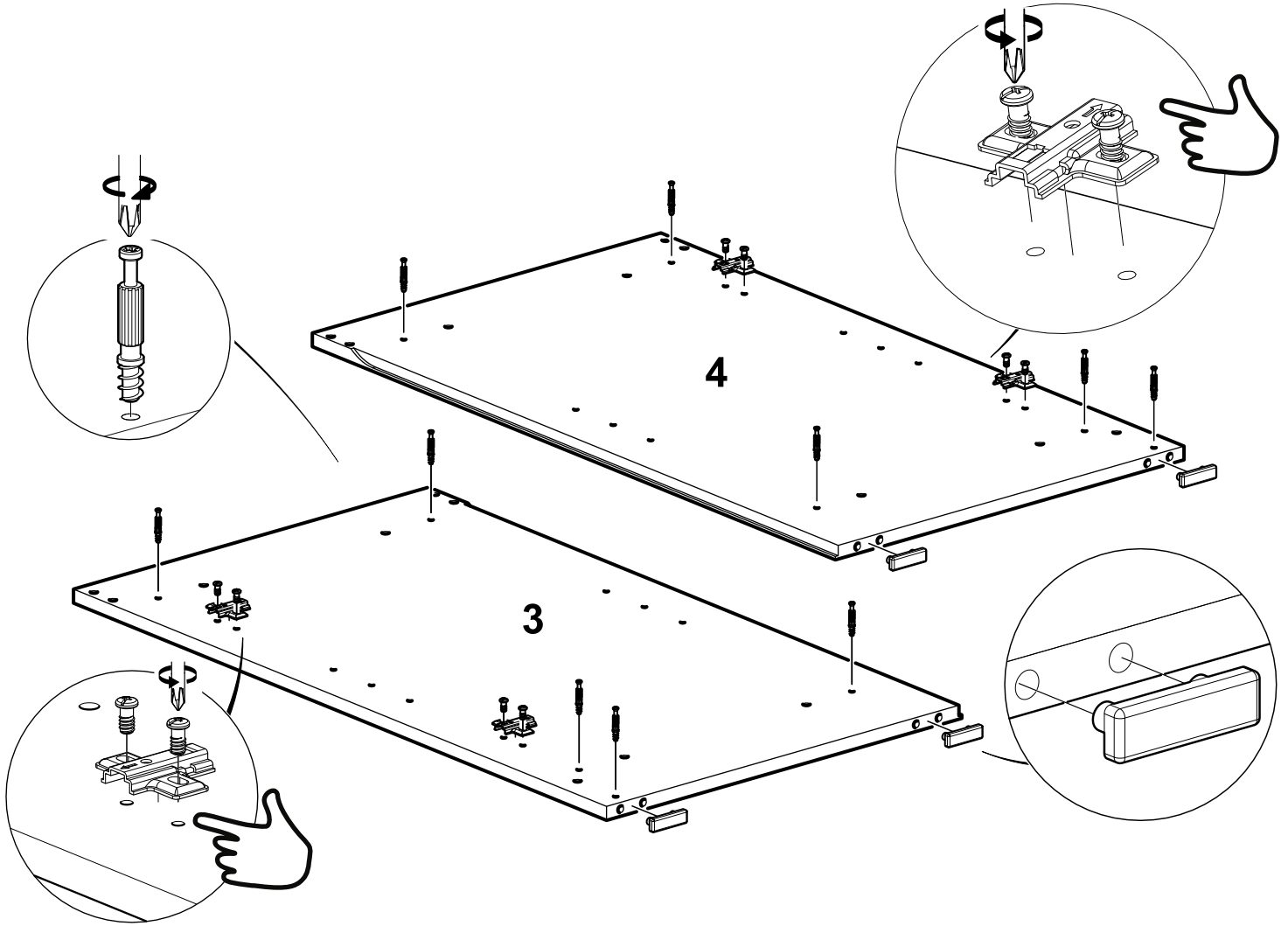
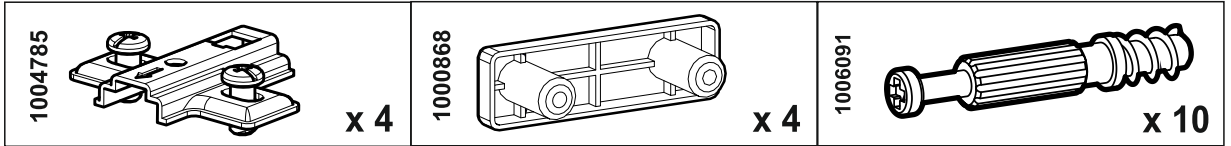


<p>1000806</p>  <p>x 1</p>	<p>1005857</p>  <p>x 18</p>	<p>1000868</p>  <p>x 4</p>
<p>1005367</p>  <p>x 10</p>	<p>1006091</p>  <p>x 10</p>	<p>1005876</p>  <p>x 4</p>
<p>1006012</p>  <p>x 22</p>	<p>1000893</p>  <p>x 1</p>	<p>1001262</p>  <p>x 4</p>
<p>1004785</p>  <p>x 4</p>	<p>1005954</p>  <p>x 4</p>	<p>1005682</p>  <p>x 2</p>
<p>1104028</p>  <p>x 4</p>	<p>1005681</p>  <p>x 8</p>	

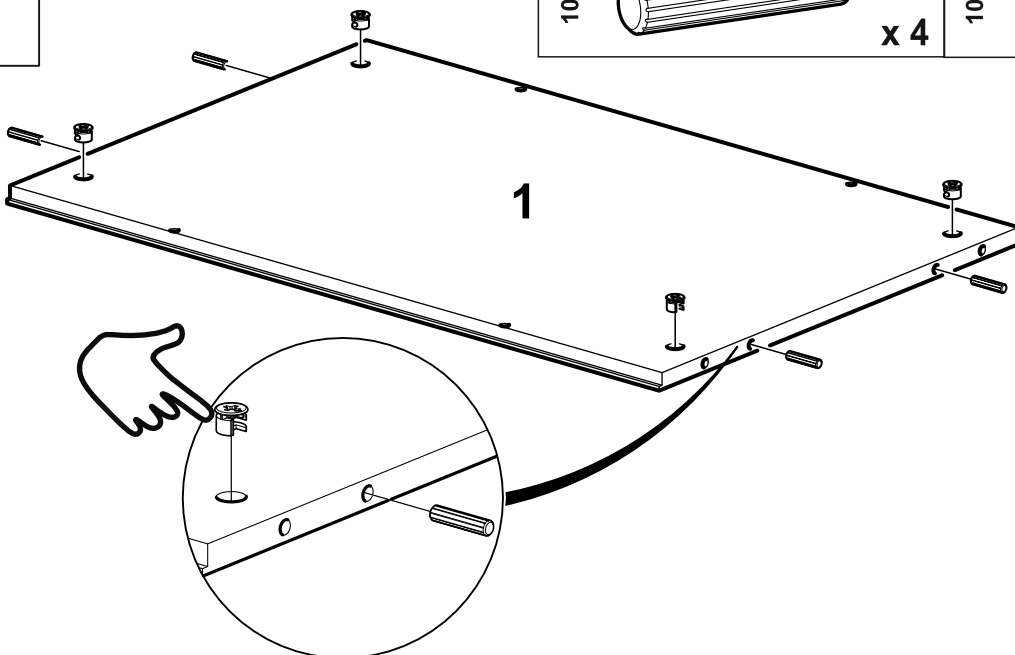
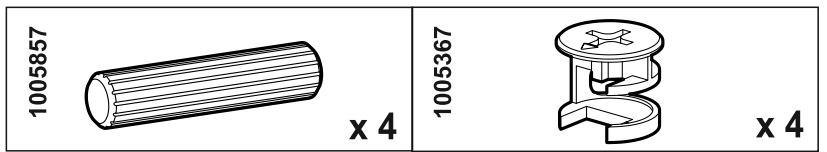
EN. In case of complain please advise the spare part number.

ARTIKELNUMMER ITEM NUMER ARTIKELNUMMER		4021011	AANTAL QUANTITY ANZAHL	AFTMETINGEN [mm] DIMENSIONS [mm] ABMESSUNGEN [mm]		
1	1/2	2202974	1	758	498	16
2	1/2	2202975	1	758	494	16
3	2/2	2202976	1	894	500	16
4	2/2	2202977	1	894	500	16
5	1/2	2202982	2	758	70	16
6	1/2	2202978	1	758	100	16
7	2/2	2202979	1	684	375	16
8	2/2	2202980	1	684	375	16
9	1/2	2202981	1	758	476	16
10	2/2	2163603	1	780	717	3

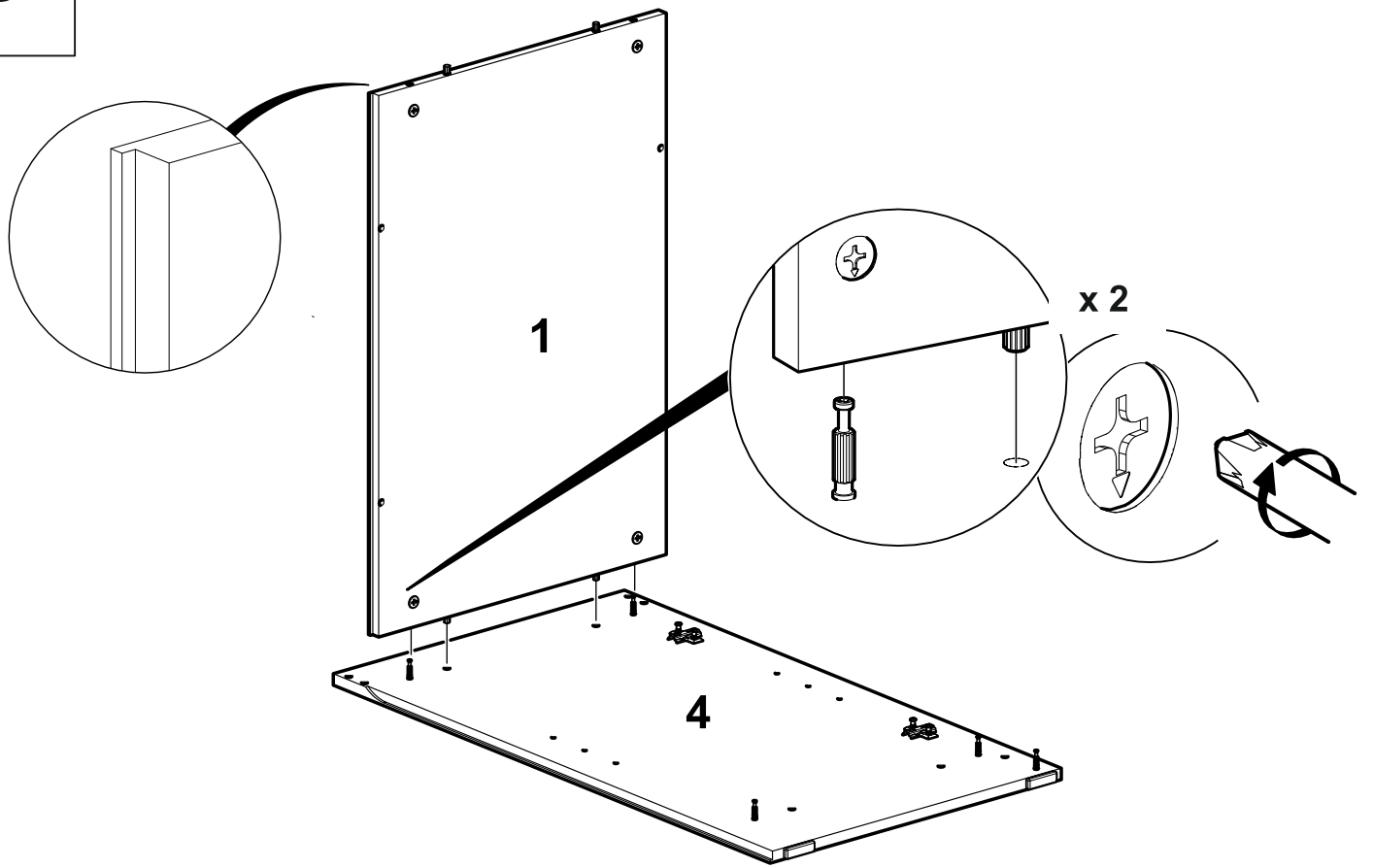
1



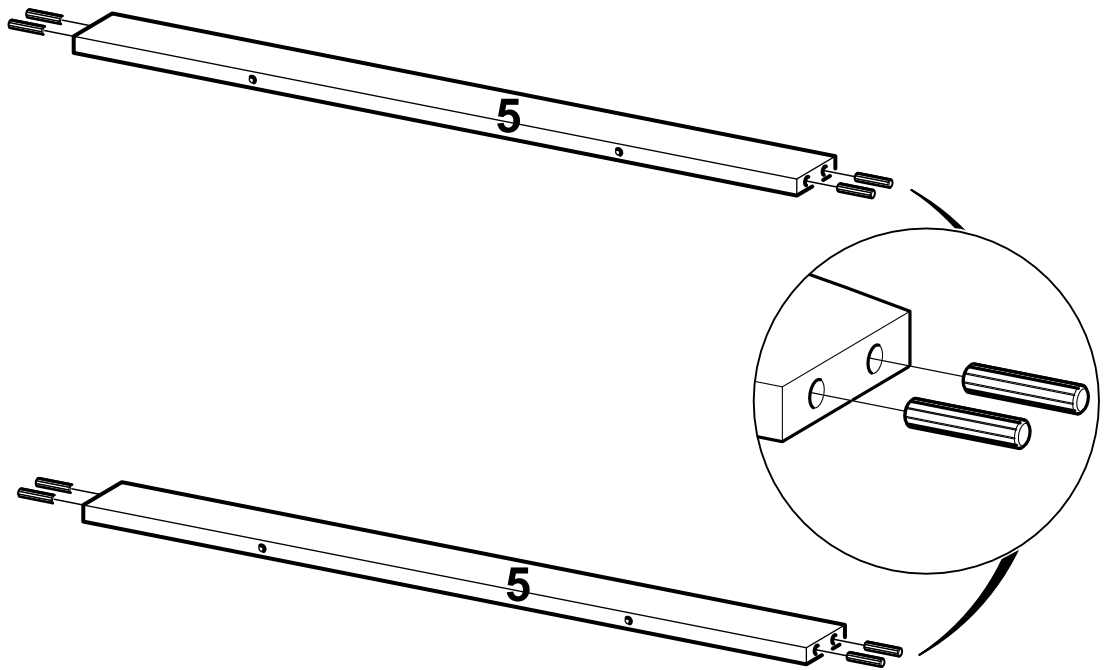
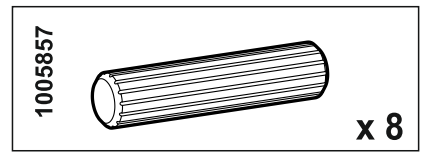
2



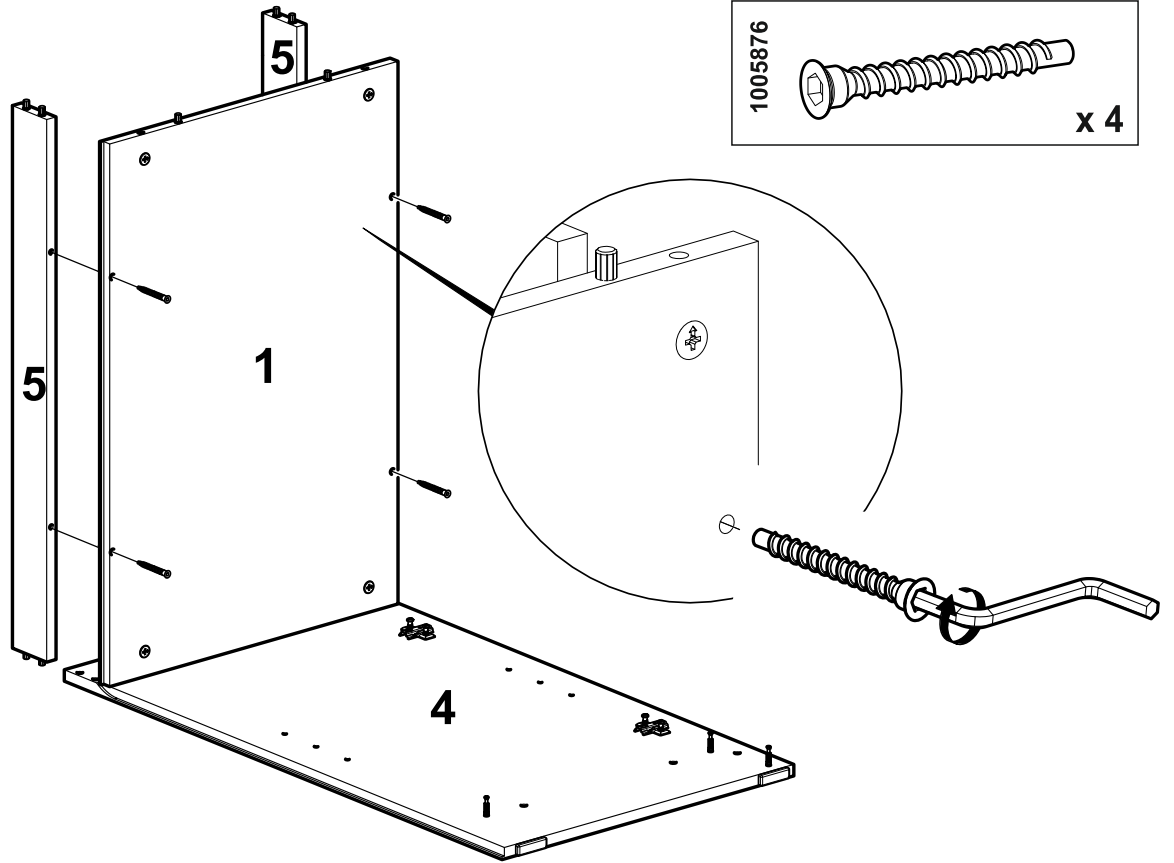
3



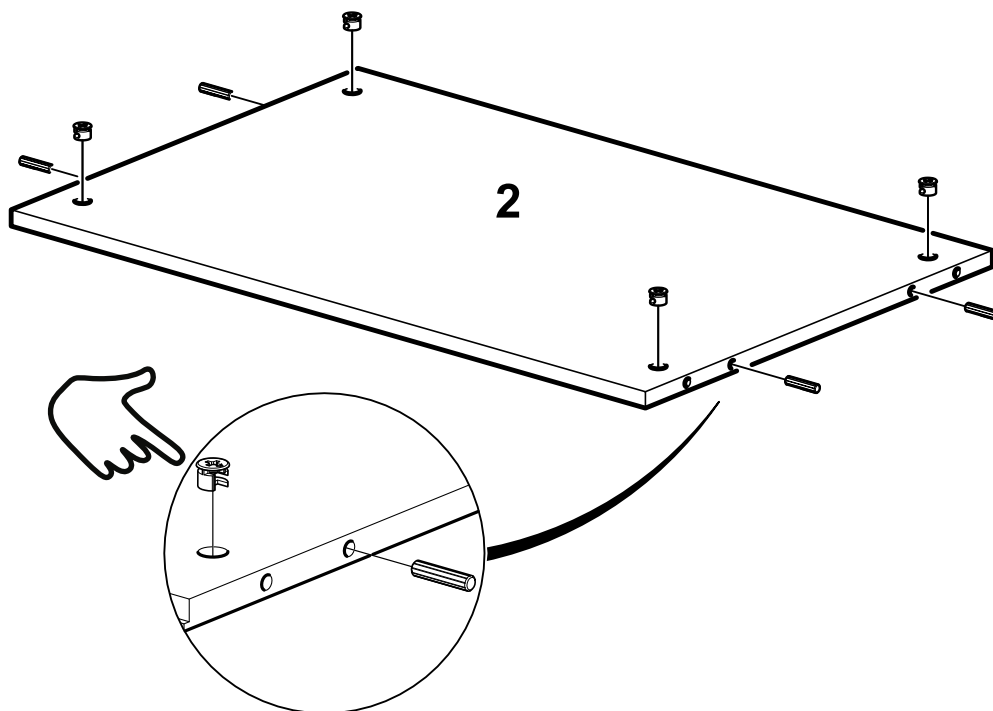
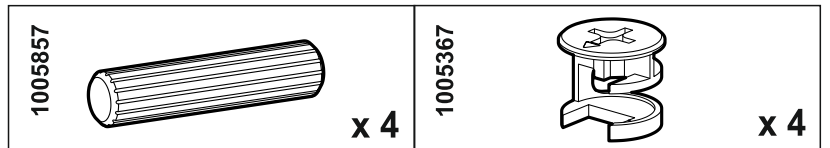
4



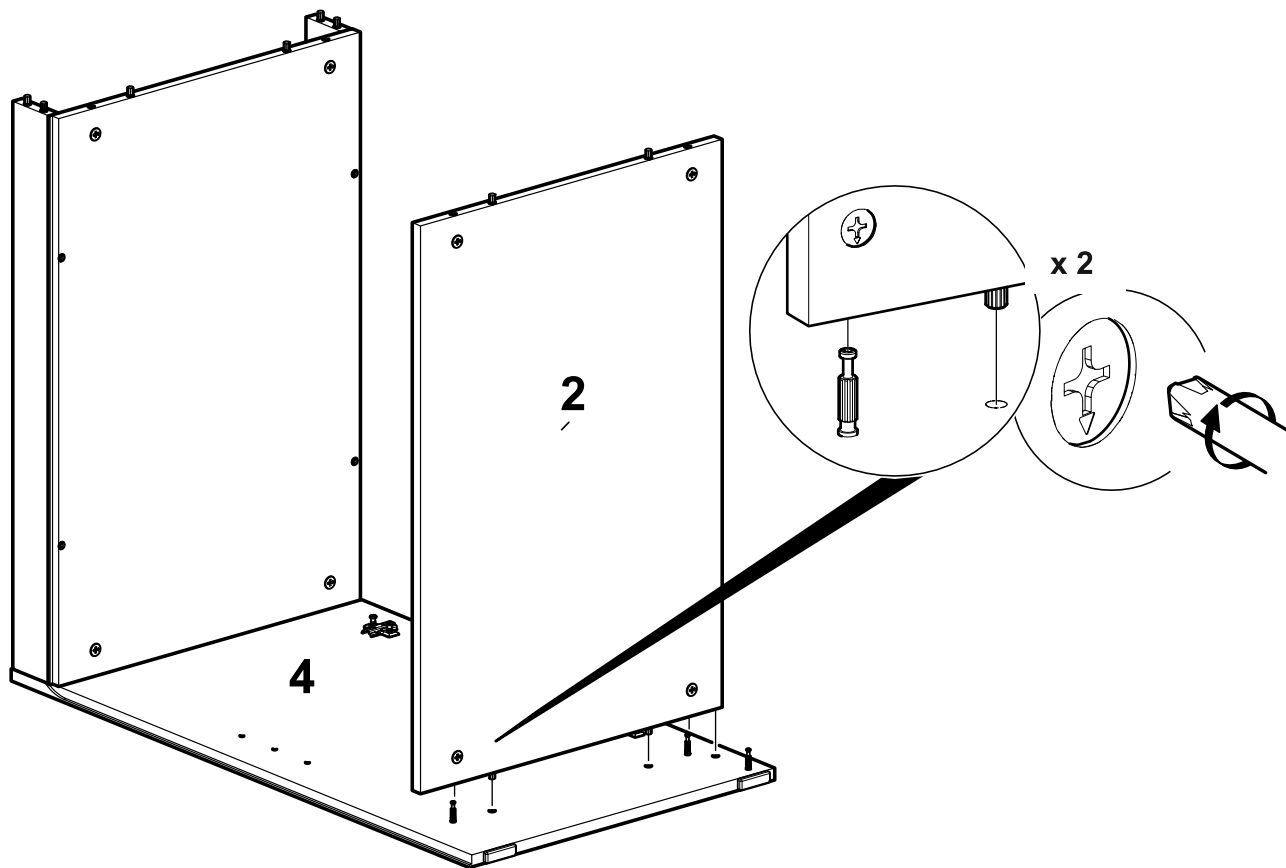
5



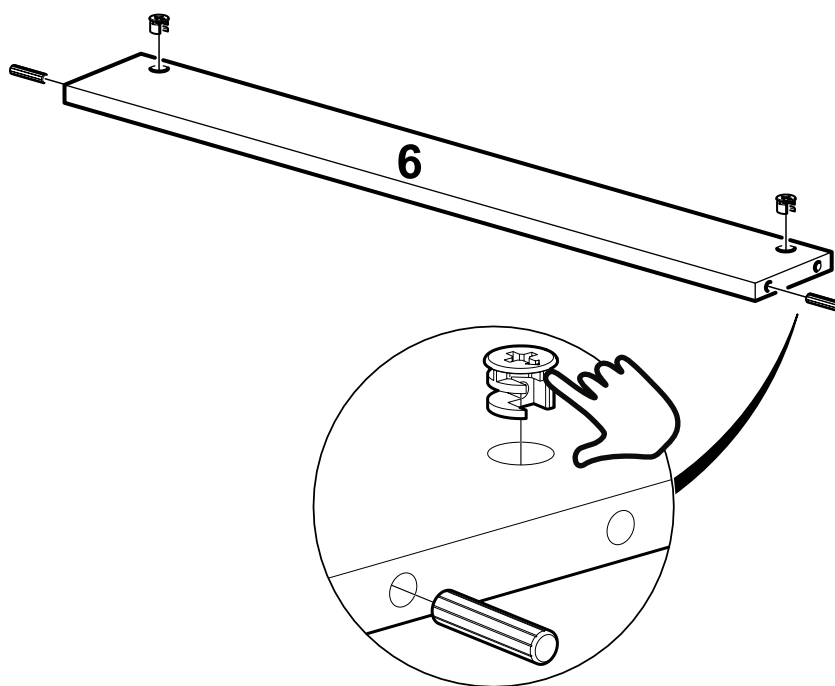
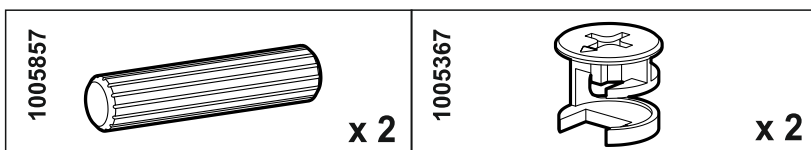
6



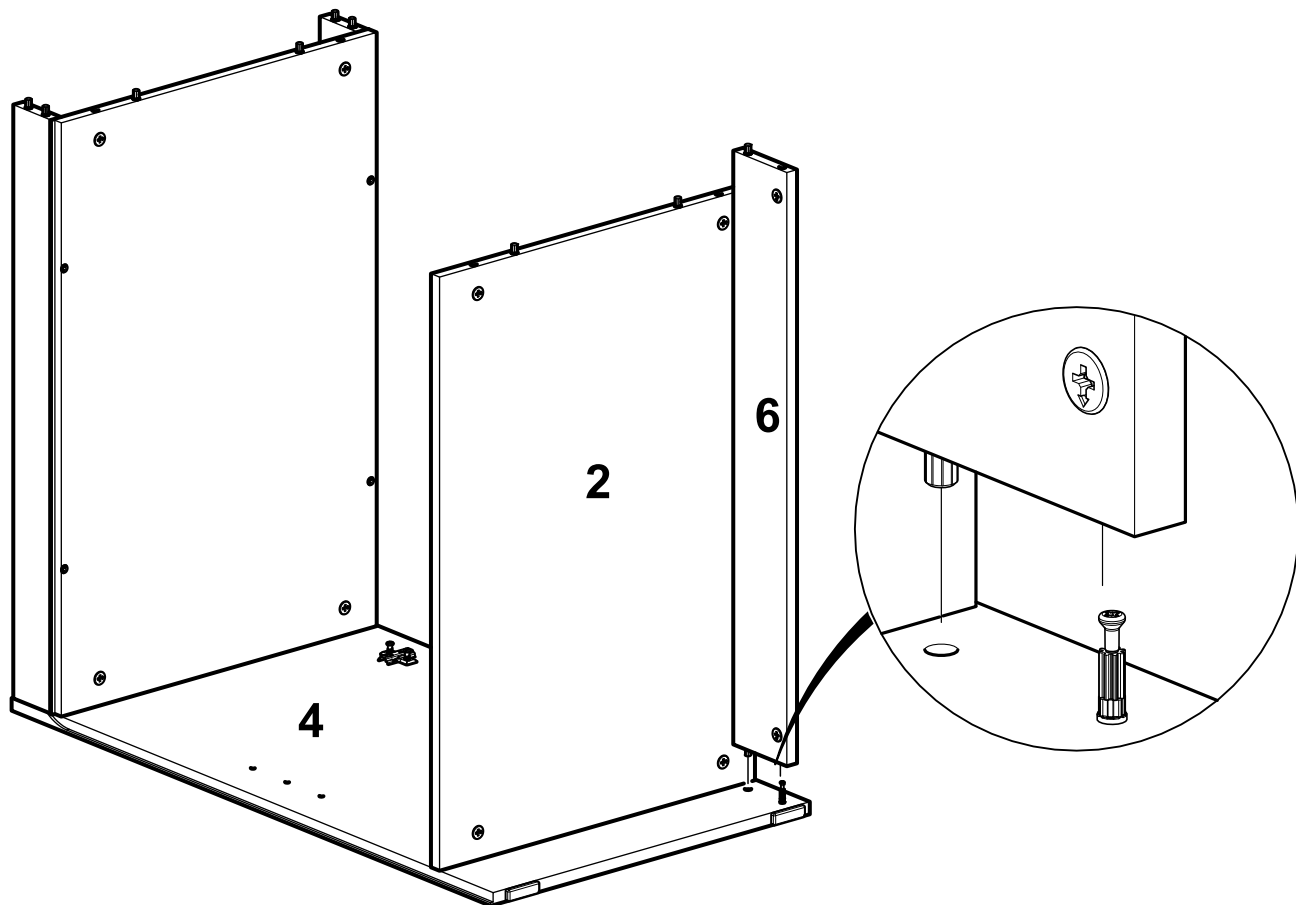
7



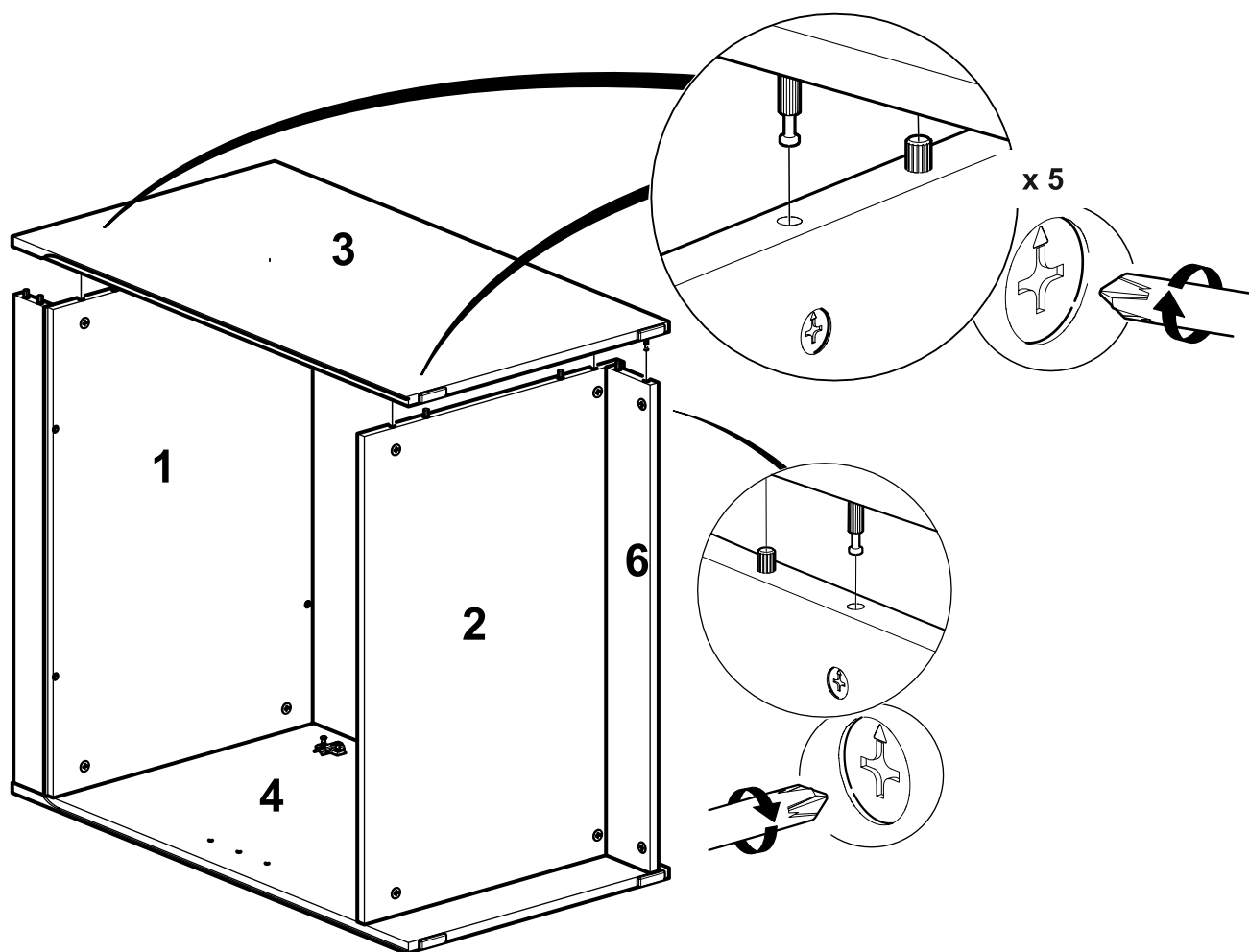
8



9



10

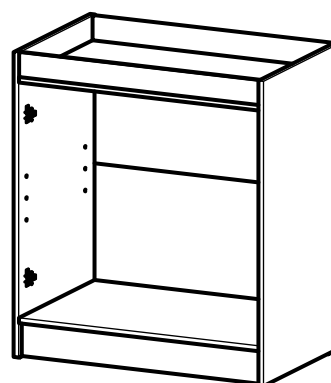
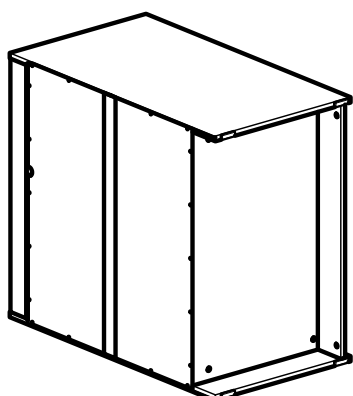
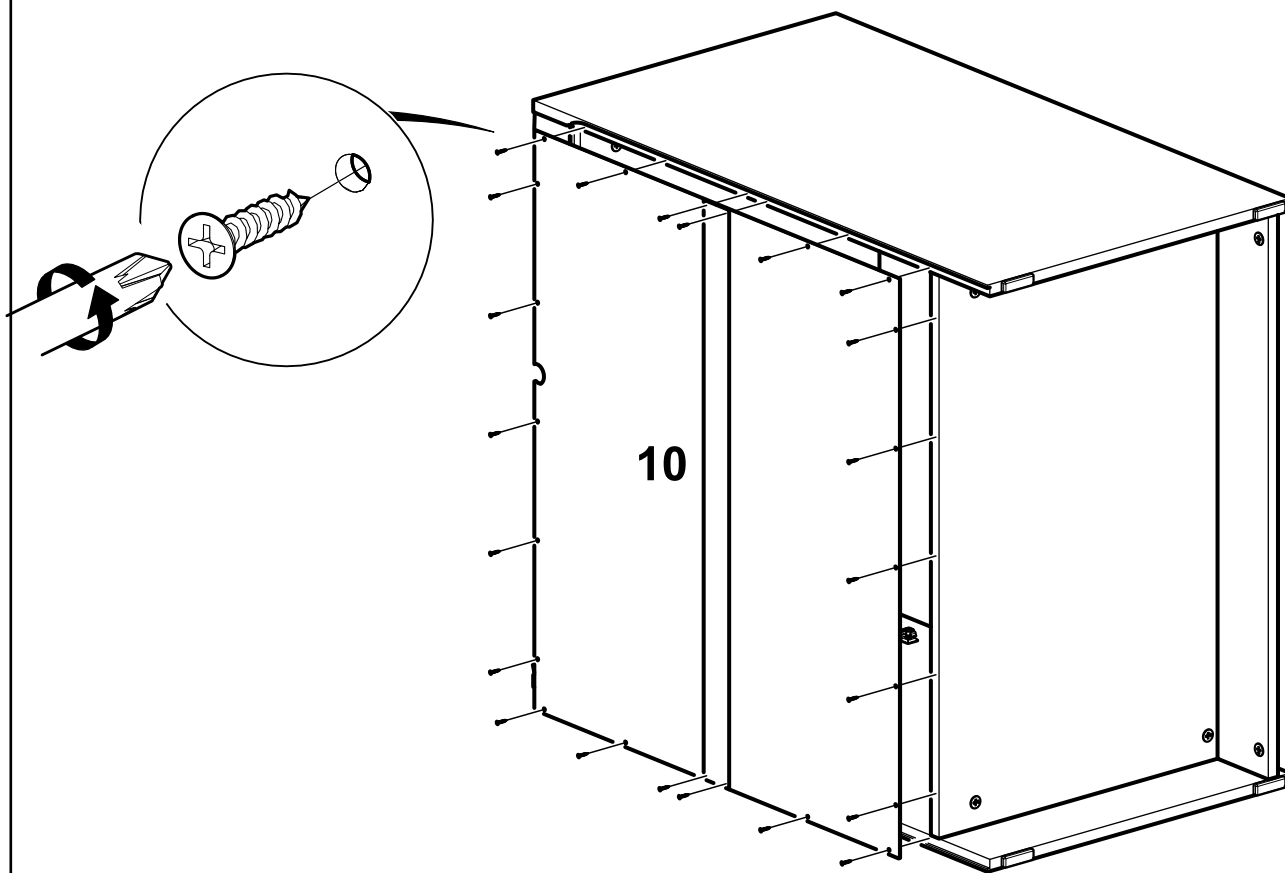


11

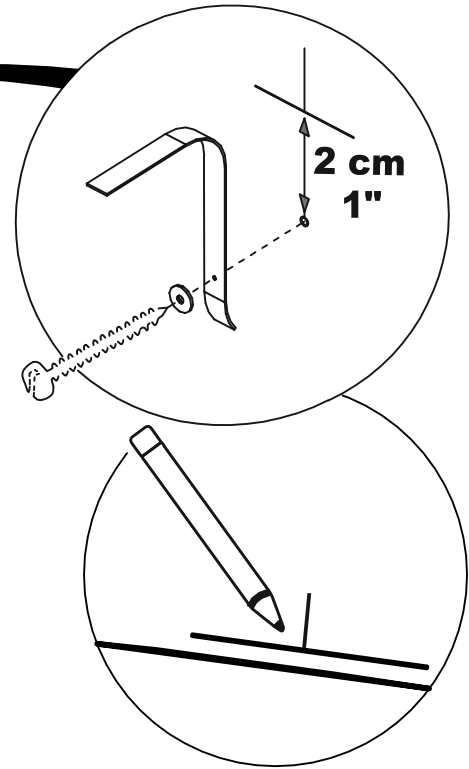
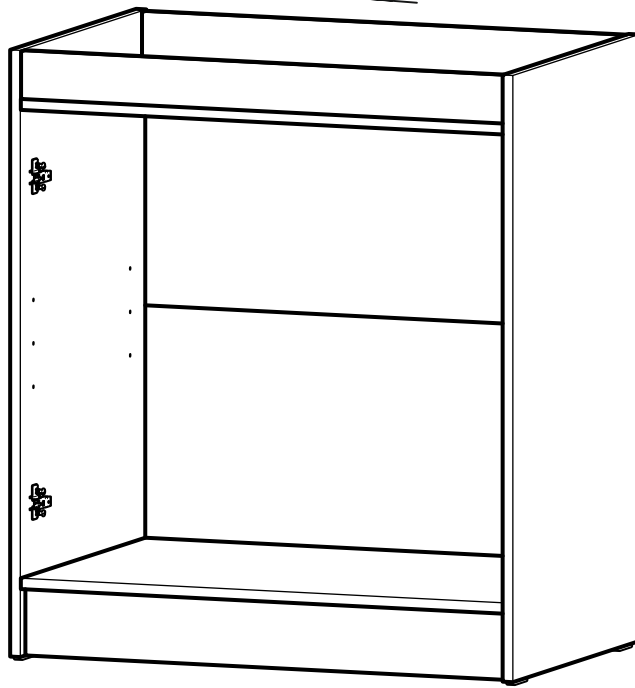
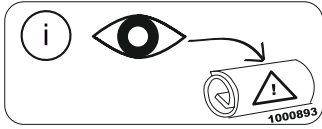
1006012



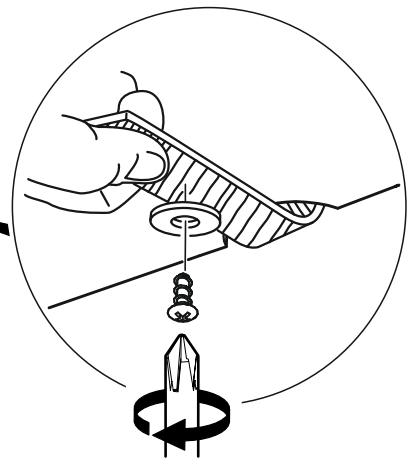
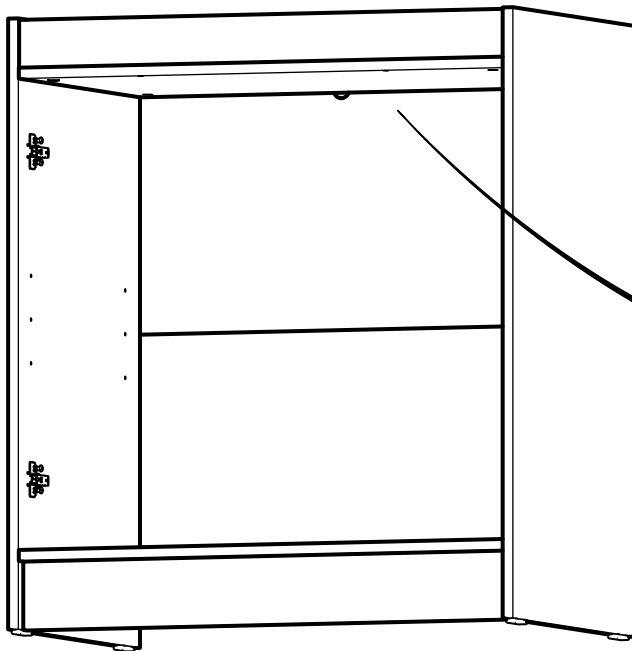
x 22



12

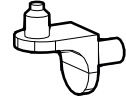


13

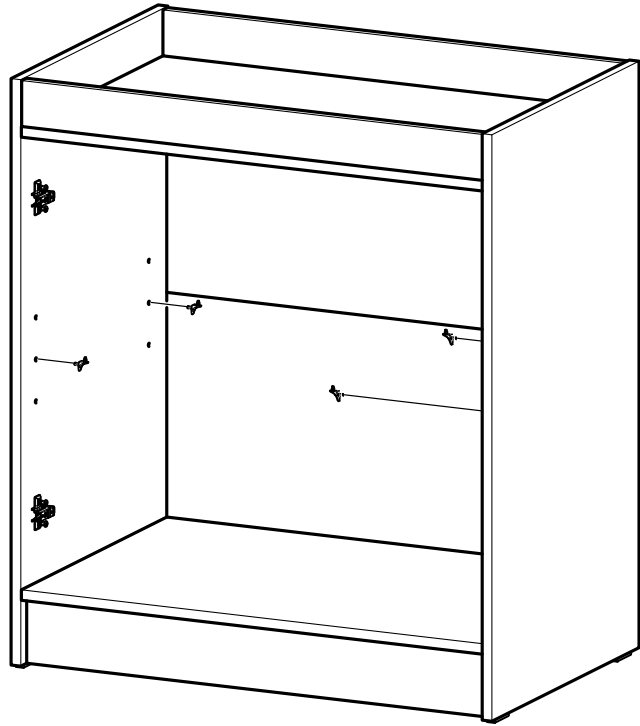
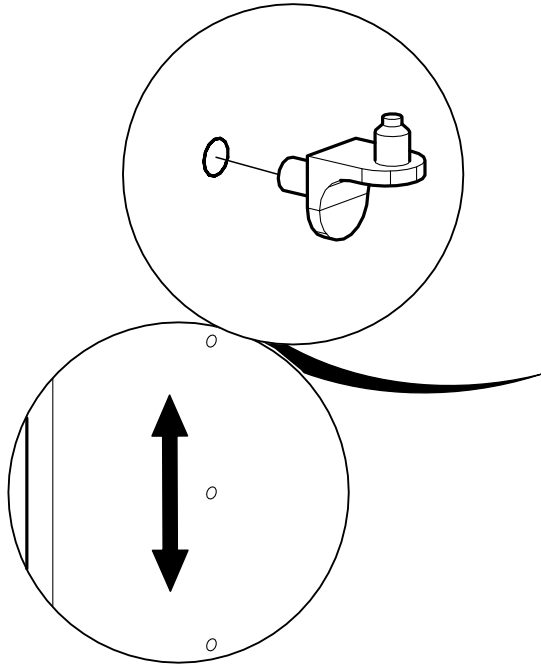


14

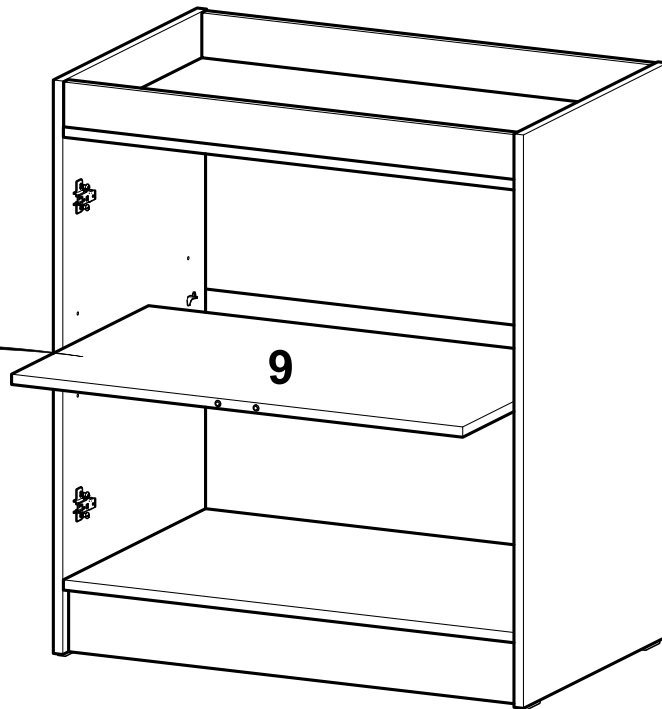
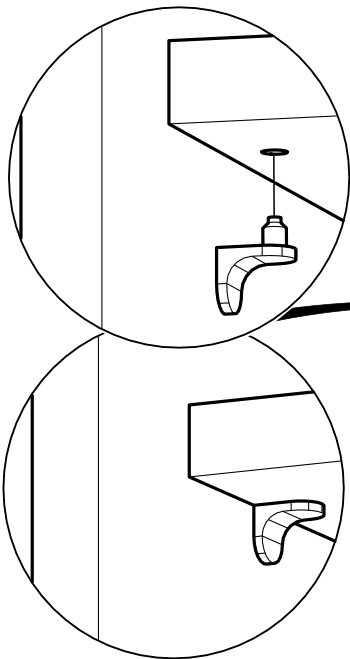
1001262



x 4



15



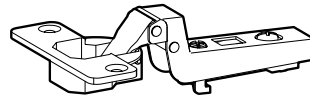
16

1005681

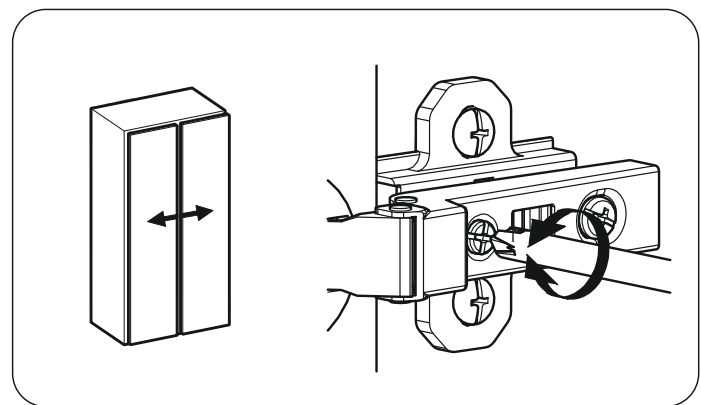
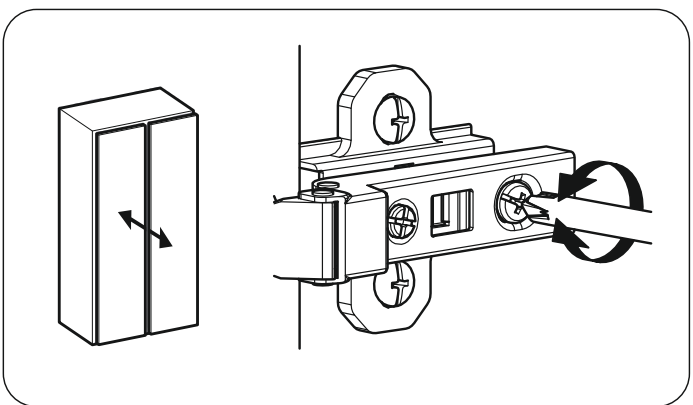
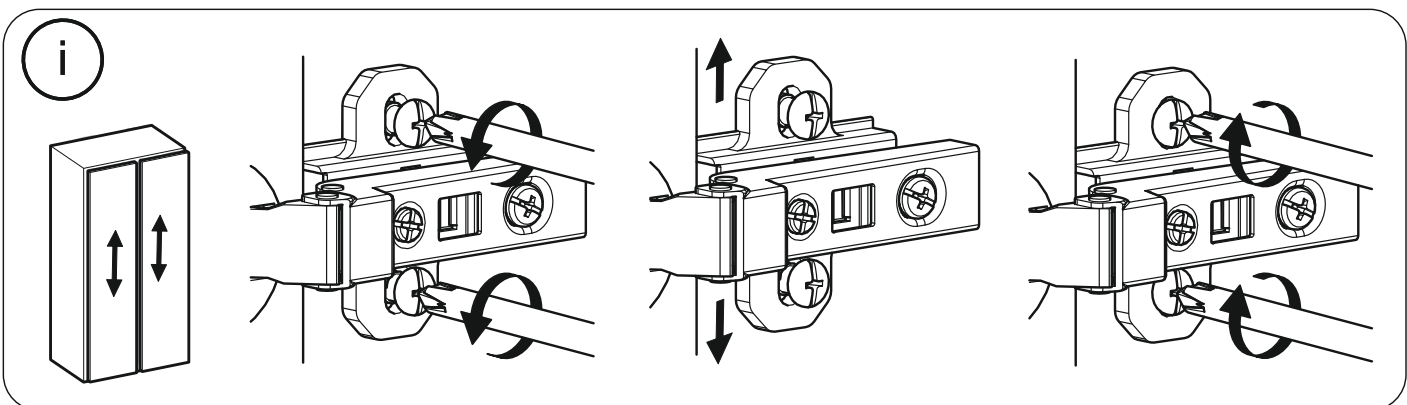
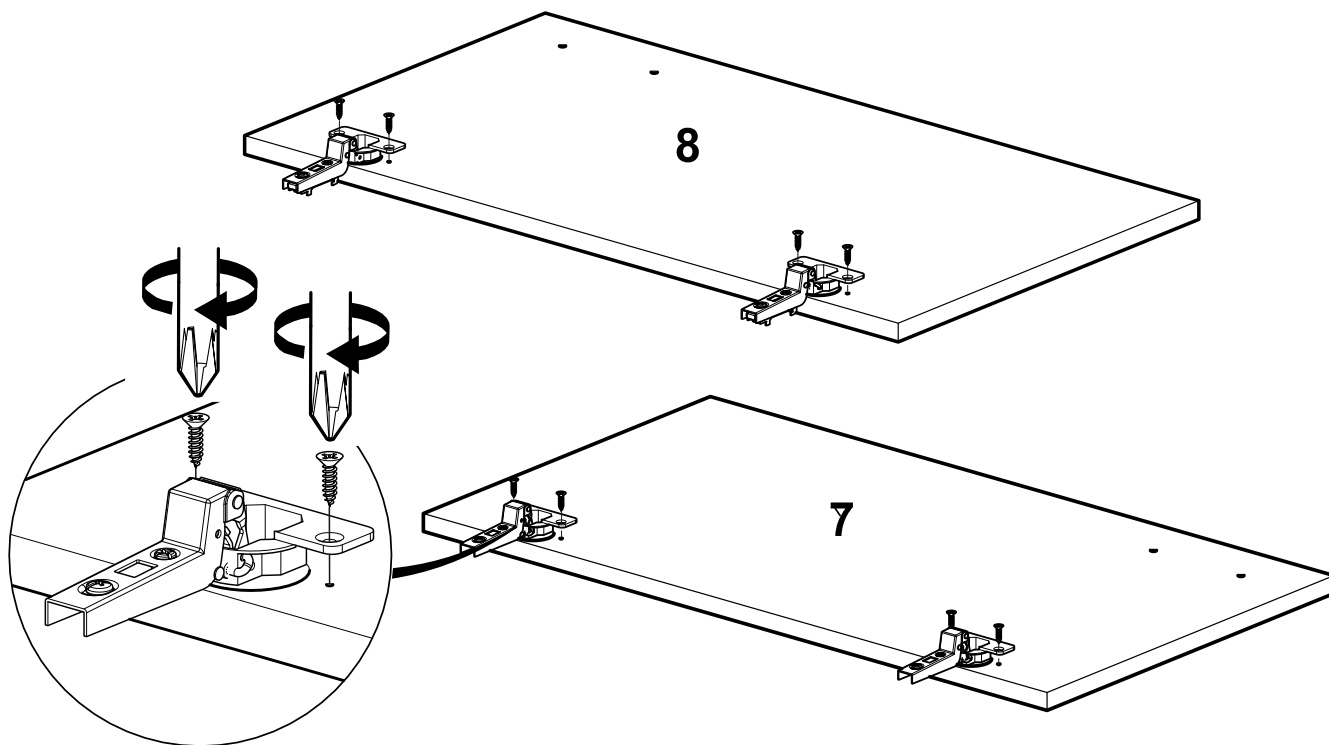


x 8

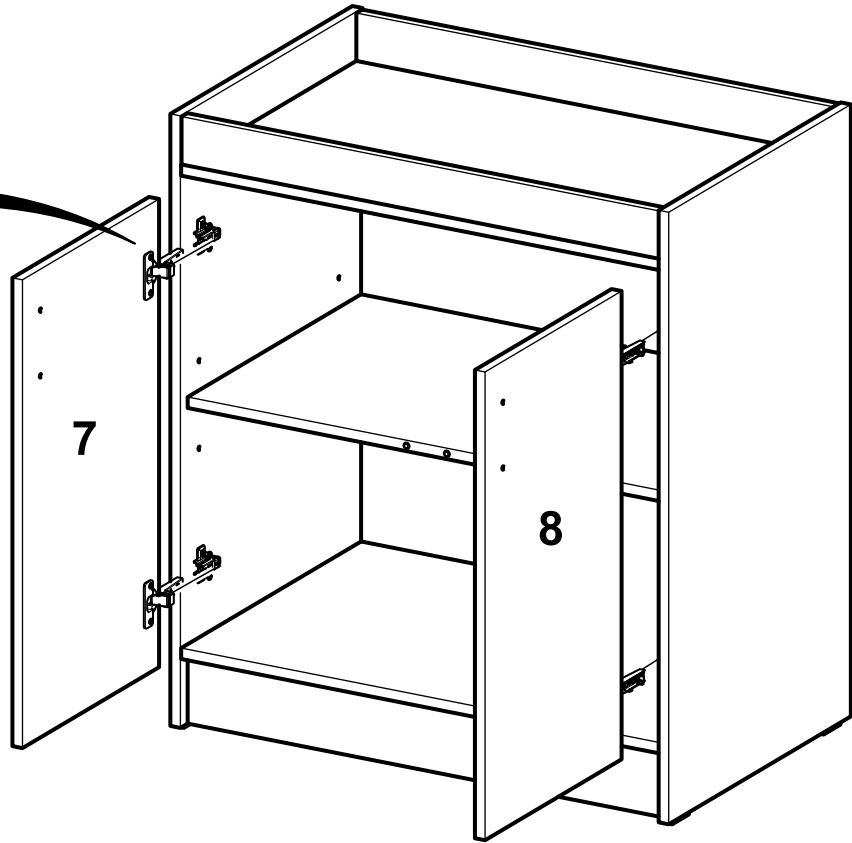
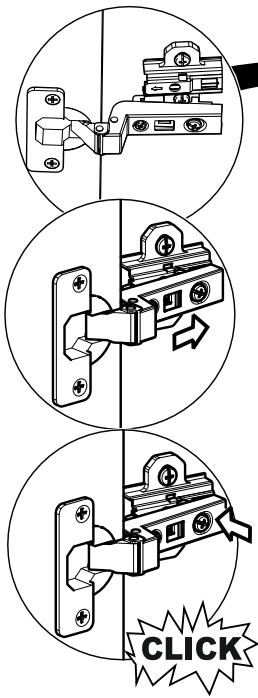
1104028



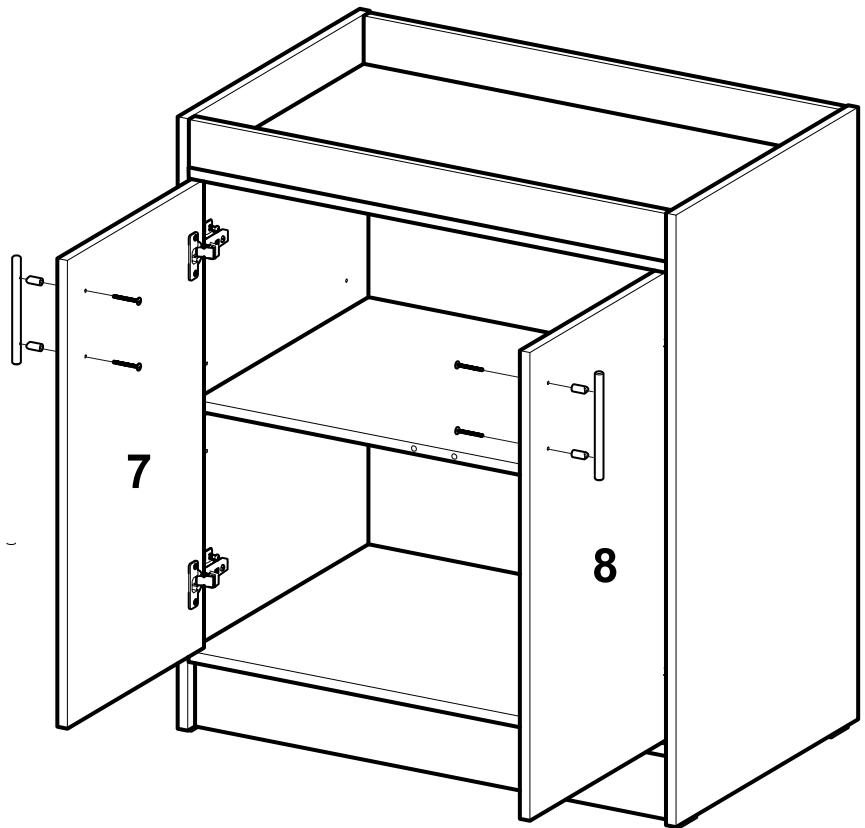
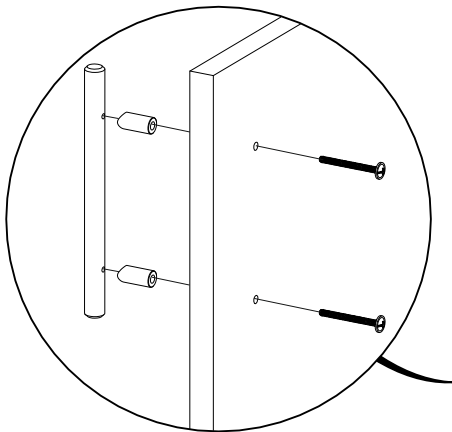
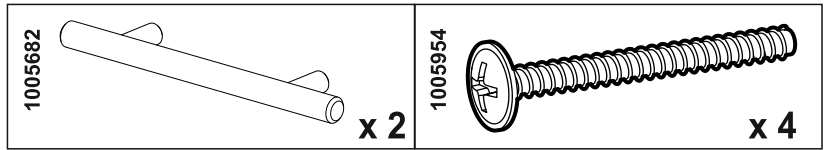
x 4



17



18



Safety

Warning: Do not leave your child unattended.

Always use the wall attachment strap provided.

All assembly fixings should always be tightened properly. Care should be taken that no screws are loose because a child could trap parts of their body, or clothing (e.g. strings, necklaces, ribbons, dummies, etc.) which could pose a risk of strangulation.

Be aware of the risks of open fires and other such sources of strong heat, such as electric bar fires, gas fires, etc. in the near vicinity of the dresser.

Suitable for use with a changing mat of max size 43.5 x 75.8 cm

The changing area is suitable for use up to 12 months old or 11kg in weight.

Do not use the dresser if any of the parts are broken, torn or missing.

Any additional or replacement parts can only be obtained from the manufacturer or the distributor.

ensure there are no small parts fittings are left after assembly as these can be a choking hazard.

This product conforms to: EN 12221-1:2008+A1:2013

Maintenance

Take care when handling or moving the furniture. Careless handling may cause damage.

Regularly check that all fixings are tightened and that there are no broken or damaged parts.

Cleaning

Your dresser can be cleaned by wiping with a damp cloth and drying with a soft clean cloth. Do not use abrasives, bleach, alcohol or ammonia based household polishes.

Little Acorns

01952460696 and address:

The Malthouse,

Sheriffhales, Shifnal.

Shropshire TF11 8RD