



BANKERS TABLE LAMP USER GUIDE

Caring for your product Indoor use only
Non-Dimmable
Replace bulbs from John Lewis or established brand of the same type and compatibility
Recommended the fitting should be cleaned with a soft dry cloth.


Aftercare and Troubleshooting Why is the light not working when switched on?

Check your power supply is switched on
Turn off light and check that the bulb is inserted correctly
Check the bulb is still in working order.

If you experience any unresolvable technical issues with the product, contact your nearest John Lewis & Partners shop or John Lewis & Partners Technical Support on 03301 230106.

Specification Recommended bulb: SES Candle LED bulb
Rated power: 4W LED Max
Bulb not included
Voltage: 220 –240V, 50Hz
IP rating: 20
Weight: 1.5kg

5 year guarantee At John Lewis & Partners we test every light to high quality standards so we are able to offer you a 5 year guarantee.

Recycling This symbol  indicates that this product should not be treated as household waste and it should be recycled. John Lewis & Partners do not operate instore take back, but as members of the Distributor Take Back scheme have funded the development and upgrade of recycling facilities across the UK. Please take it to your nearest collection facility or for further details contact your local council or visit www.recycle-more.co.uk.



John Lewis Partnership
171 Victoria Street
London SW1E 5NN
johnlewis.com
Made in China



Please retain these instructions for future reference.



Introduction

Thank you for purchasing this Bankers Table Lamp.
Please read the instructions carefully before use to ensure safe and satisfactory operation of this product.

Warnings

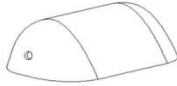
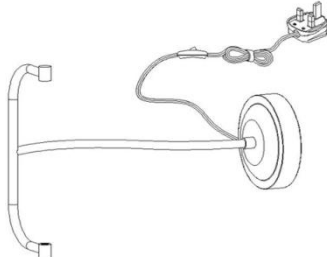
This fitting should be fitted in accordance with IEE Regulations and the Building Regulations. If in any doubt, or where required by law, consult a competent person who is registered with an electrical self-certification scheme. Further information is available online or from your Local Authority.

Always use the correct type and wattage bulb. Never exceed the wattage stated.
The flexible cable on this luminaire, if damaged, shall only be replaced by the manufacturer or his service agent or a similar qualified person.
It is the installer's responsibility to ensure that the fixings and plugs used are suitable for the surface you are fixing your product on.

Caution! The bulb and surrounding parts can become hot during use.

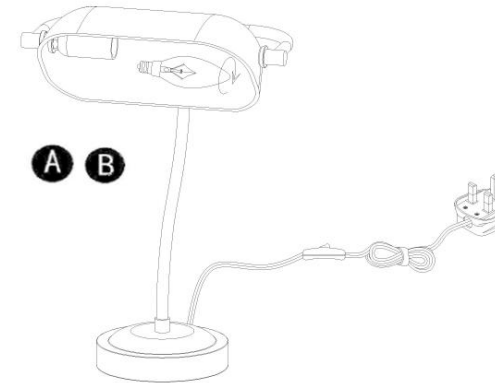
Do not cover. Keep away from curtains, bedding etc.
Always route mains cable so it does not present a hazard (entrapment, tripping etc.);
Ensure that there are no twists or snags in the cable.
Plug into the mains supply; switch on using the inline cord switch provided.
If moving this lamp, always carry by holding the stand part (and not the glass.)

Parts list

Description	Image	Quantity
A SHADE		x1
B BASE		x1

Product assembly

1



Step 1

Carefully unpack the carton, making sure all parts are present before assembly. Place lamp on a flat surface

Step 2

This is fully assembled product.
Attach the correct type and wattage bulb to the lamp holder (bulb not included).
The maximum power indicated must not be exceeded.

2



Step 3

Insert the plug into the power supply and turn on the switch.