

## Product information

- Outdoor use only
- Replacement bulbs should be the same type and rating, available from John Lewis Partners or other established brands
- Do not use solvents or abrasive cleaners as these could damage the finish. In normal circumstances, stainless steel is very resistant to corrosion. It does however require maintenance to preserve the high quality appearance. Wash the product with warm soapy water, removing all surface deposits. Rinse with clean water and with a soft cloth, wipe dry. In some cases, surface corrosion may arise after installation. This is normally caused by tiny iron particles left behind after the brushing process when finishing. Wash and dry as detailed above. Then with a soft cloth soaked with a protective oil, wipe all over. However if the product is subject to extreme environmental conditions such as marine locations, industrial pollution and acid rain these maintenance procedures should be carried out around four times a year. For severe corrosion, non-abrasive cream cleaners or proprietary stainless steel cleaners should be used to remove the corrosion. Wash and dry as detailed above. Then with a soft cloth soaked with a protective oil, wipe all over.
- Glass parts - Remove and wash in warm water or just use a damp cloth. Do not use abrasive materials as these will damage the finish. Take care when handling glass parts to avoid damage or injury
- Do not use this product if the shade is cracked or damaged. Do not use the product without the shade attached

## Aftercare and Troubleshooting

### You've switched on the light, but it's not working:

1. Check your power supply is switched on
2. Turn off the light and check that the bulb is inserted correctly
3. Check the bulb is still in working order

If there are technical issues with this product that you can't solve, please contact your nearest John Lewis & Partners shop or call Technical Support on 03301 230106.


## Specification

Max power: 2 x 40W. Bulb not included  
Recommended bulb:  
2 x 5-7W E27 GLS LED bulb, or 2 x 28W E27 GLS Eco Halogen bulb  
Rated input: 220 -240V, 50Hz  
IP rating: 44 Weight: 1.35kg

## 5-year guarantee

At John Lewis & Partners we test every light to high quality standards. That means we can offer you a 5-year guarantee.

## Recycling

This symbol  indicates that this product should not be treated as normal household waste and it should be recycled. John Lewis & Partners do not operate instore take back, but as members of the Distributor Take Back scheme have funded the development and upgrade of recycling facilities across the UK. Please take it to your nearest collection facility or for further details contact your local council or visit [www.recycle-more.co.uk](http://www.recycle-more.co.uk).

John Lewis Plc  
171 Victoria Street  
London SW1E 5NN  
[johnlewis.com](http://johnlewis.com)

Made in China

UK  
CA



IP44

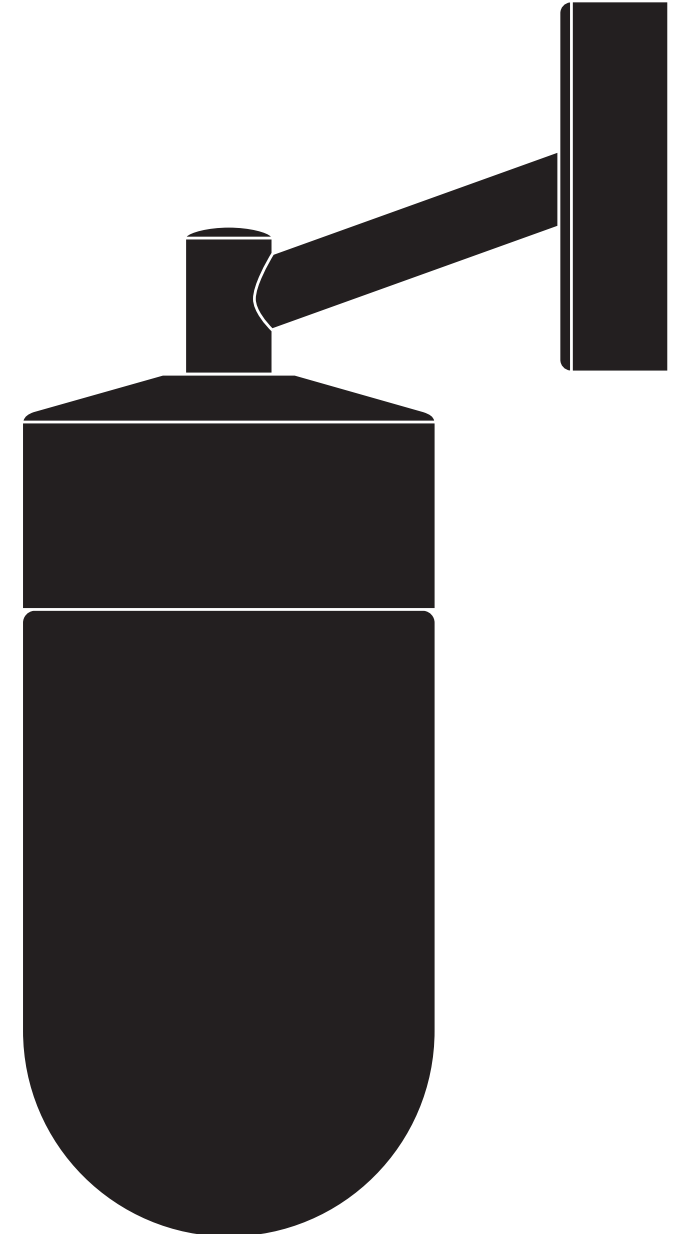


30/11/2022

Please retain these instructions for future reference.



# AHEAD OUTDOOR WALL LIGHT SET OF 2 USER GUIDE



Product Code:  
70270101

**Thank you for purchasing this Ahead outdoor wall light.  
Please read the instructions carefully before  
use to ensure safe and satisfactory operation  
of this product.**

## Warnings



This is a Class 1 product and must be earthed. Please read these instructions carefully before commencing any work. It is recommended that this fitting is installed by a qualified electrician. Install in accordance with the IEE Wiring regulations and the Building Regulations. To prevent electric shock switch off at mains supply before installing or maintaining this fitting. Ensure other persons cannot restore the electrical supply without your knowledge.

If you are in any doubt, please consult a qualified electrician. This light fitting should be connected to a 5 amp fused circuit. If replacing an existing fitting, make a note of the connections. This product is rated IP44 and is suitable for outdoor use. This product is suitable for installation on surfaces with normal flammability e.g. wood, plasterboard, masonry. It is not suitable for use on highly flammable surfaces (e.g. polystyrene, textiles).

For your safety, always switch off the supply before changing lightbulbs, cleaning or removing shades. Always take care when handling lightbulbs to avoid injury in case of breakage.

## Parts list

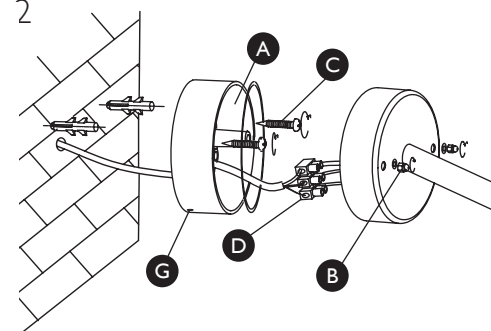
Description	Image	Quantity
Light fittings (F)		x 2
Shades (E)		x 2
Wall plugs		x 4
Screws		x 4

## Product assembly

1

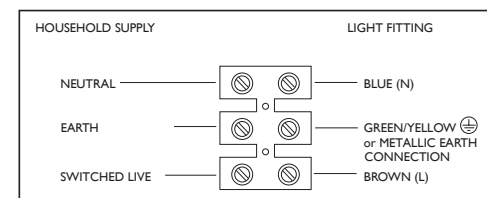
Carefully unpack the carton, making sure all the parts are present before assembly. Before removing the existing fitting, carefully note the position of each set of wires.

2



Remove the back plate (A) from the fitting by removing finials (B). Using the wall plugs and screws (C) provided in the fixing pack, secure the back plate to the wall. Take care to avoid damaging any concealed wiring and pipes. Ensure drain hole (G) is at the base of the back plate.

3



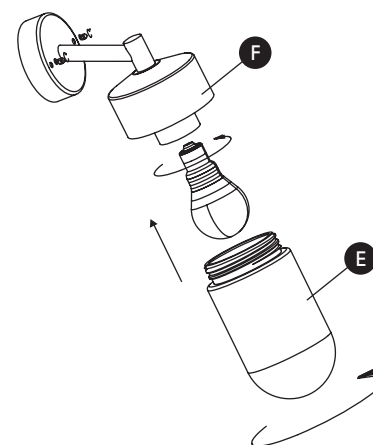
Having identified the household wiring from your existing light fitting, connect to the outdoor rated connection block (D) inside the product in the following way.

Check that:

You have correctly identified the house wires.

- The connections are tight.
- No loose strands have been left out of the connection block.
- Ensure the grommet is in place to maintain IP rating.

4



Re-attach the light fitting to the back cover (A) by locating the screw holes over the screws and replacing the finials (B) and the rubber washers, tightening them securely.

Fit the recommended bulb.

Attach the shade (E) by screwing onto the light fitting (F). Ensure shade is tightly fitted to compress the rubber seal but do not overtighten.