

## Product information

- Indoor use only
- Non dimmable
- Replacement bulbs should be the same type and rating, available from John Lewis Partners or other established brands
- Clean the fitting with a soft dry cloth. Do not use abrasive chemical cleaners as this will damage the finish
- Glass parts - Just use a damp cloth. Do not use abrasive materials as these will damage the finish. Take care when handling glass parts to avoid damage or injury

## Aftercare and Troubleshooting

### You've switched on the light, but it's not working:

1. Check your power supply is switched on
2. Turn off the light and check that the bulb is inserted correctly
3. Check the bulb is still in working order

If there are technical issues with this product that you can't solve, please contact your nearest John Lewis & Partners shop or call Technical Support on 03301 230106.


## Specification

Max power: 1 x 6W  
Recommended bulb:  
6W LED E14 Golf bulb for maximum brightness.  
Lower wattages are also suitable.  
Rated input: 220 –240V, 50Hz  
Bulbs not included  
IP rating: 20  
Weight: 0.58kg

## 5-year guarantee

At John Lewis & Partners we test every light to high quality standards. That means we can offer you a 5-year guarantee.

## Recycling

This symbol  indicates that this product should not be treated as normal household waste and it should be recycled. John Lewis & Partners do not operate instore take back, but as members of the Distributor Take Back scheme have funded the development and upgrade of recycling facilities across the UK. Please take it to your nearest collection facility or for further details contact your local council or visit [www.recycle-more.co.uk](http://www.recycle-more.co.uk).

John Lewis plc  
SW1V 2QQ  
[johnlewis.com](http://johnlewis.com)

Made in China

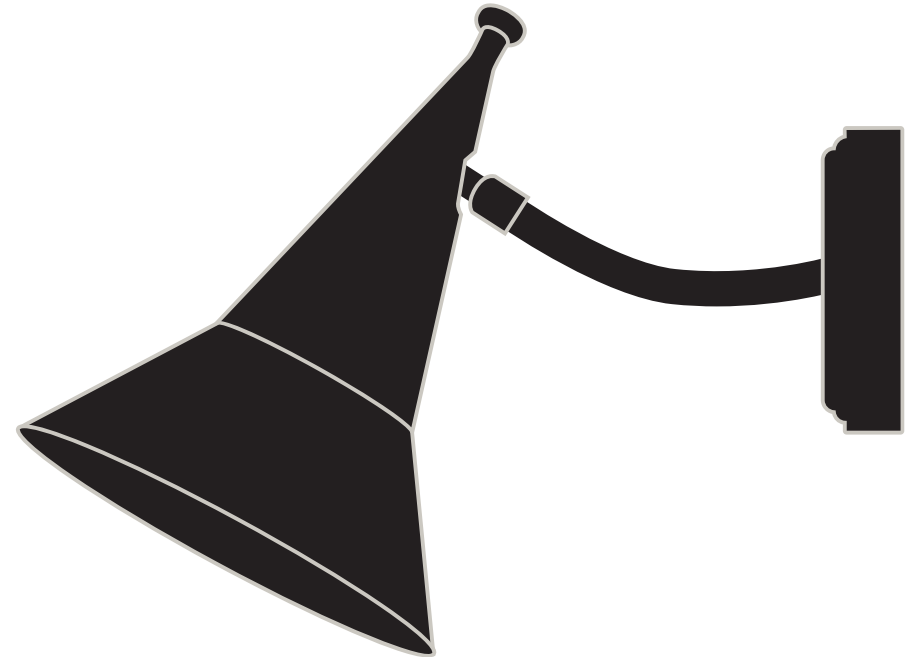


02/07/2024

Please retain these instructions for future reference.





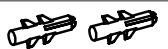



# TRUMPET WALL LIGHT USER GUIDE



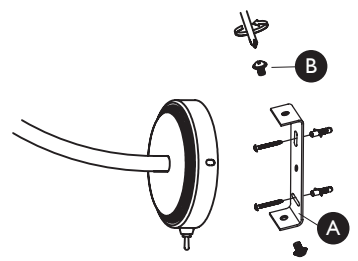
**Thank you for purchasing this Trumpet Wall Light.  
Please read the instructions carefully before  
use to ensure safe and satisfactory operation  
of this product.**

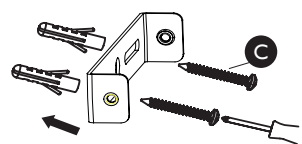
## Warnings

- ⚠ This is a Class 1 product and must be earthed. It is recommended that this fitting is installed by a qualified electrician. Install in accordance with the IEE Wiring regulations and the Building Regulations. To prevent electrocution switch off at mains supply before installing or maintaining this fitting. Ensure other persons cannot restore the electrical supply without your knowledge.
- If you are in any doubt, please consult a qualified electrician. This light fitting should be connected to a 5 amp fused circuit. If replacing an existing fitting, make a note of the connections. Always use the correct type and wattage bulb. Never exceed the wattage stated. When changing a bulb or adjusting the head, always switch off at the mains and allow to cool down. Dispose of used bulbs carefully. This product is suitable for indoor use only. This product is suitable for installation on surfaces with normal flammability e.g. wood, plasterboard, masonry. It is not suitable for use on highly flammable surfaces (e.g. polystyrene, textiles). For your safety, always switch off the supply before changing lightbulb, cleaning or removing the shade.

Parts list	Image	Qty
Light fitting		1
Screws (C)		2
Wall Plugs		2
Shade		1
Fixing bracket (A)		1
Shade ring		1

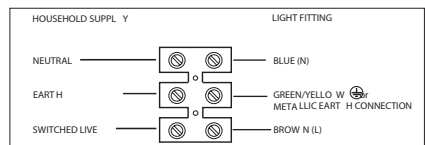
- Refer to assembly diagrams. Carefully unpack the carton, making sure all the parts are present before assembly. Before removing the existing fitting, carefully note the position of each set of wires. Remove the fixing bracket (A) from the fitting by removing side screws (B).

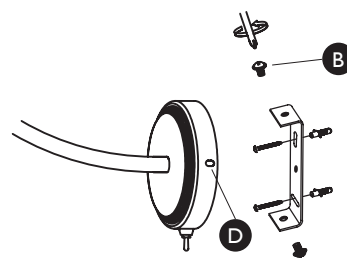

- Fix the bracket to the wall using the supplied wall plugs and screws (C). Take care to avoid damaging any concealed wiring and pipes.


- Having identified the household wiring from your existing light fitting, connect to the connection block inside the product as shown on the diagram to the left. Check that:

  - You have correctly identified the house wires.
  - The connections are tight.
  - No loose strands have been left out of the connection block.

When completed, ensure that there are no bare or loose strands of wire exposed, and cover all exposed areas of the connection block with 2 layers of insulation tape.


- Attach the product to the fixing bracket (A) using side screws (B) by locating the screws in the bracket into the holes in the sides of the fitting (D) and tightening the screws to secure. Take care not to trap any wiring.


- To attach the glass shade remove shade ring (F) from threaded body (E), place glass shade over threaded body (E) and replace the shade ring (F), tighten with light pressure. Fit the recommended bulb. Replace fuse or circuit breaker and switch on. using the toggle switch. Your light is now ready for use.

