

## Product information

- Indoor use only
- Dimmable - When used with dimmable bulbs
- Replacement bulbs should be the same type and rating, available from John Lewis Partners or other established brands
- Clean the fitting with a soft dry cloth. Do not use abrasive chemical cleaners as this will damage the finish

## Aftercare and Troubleshooting

### You've switched on the light, but it's not working:

1. Check your power supply is switched on
2. Turn off the light and check that the bulb is inserted correctly
3. Check the bulb is still in working order

If there are technical issues with this product that you can't solve, please contact your nearest John Lewis & Partners shop or call Technical Support on 03301 230106.


## Specification

Max power: 1 x 40W  
Recommended bulb:  
7W LED E27 GLS bulb for maximum brightness.  
Lower wattages are also suitable.  
Rated input: 220 –240V, 50Hz  
Bulbs not included  
IP rating: 20  
Weight: 1.15kg

## 5-year guarantee

At John Lewis & Partners we test every light to high quality standards. That means we can offer you a 5-year guarantee.

## Recycling

This symbol  indicates that this product should not be treated as normal household waste and it should be recycled. John Lewis & Partners do not operate instore take back, but as members of the Distributor Take Back scheme have funded the development and upgrade of recycling facilities across the UK. Please take it to your nearest collection facility or for further details contact your local council or visit [www.recycle-more.co.uk](http://www.recycle-more.co.uk).

John Lewis plc  
SW1V 2QQ  
[johnlewis.com](http://johnlewis.com)

Made in China

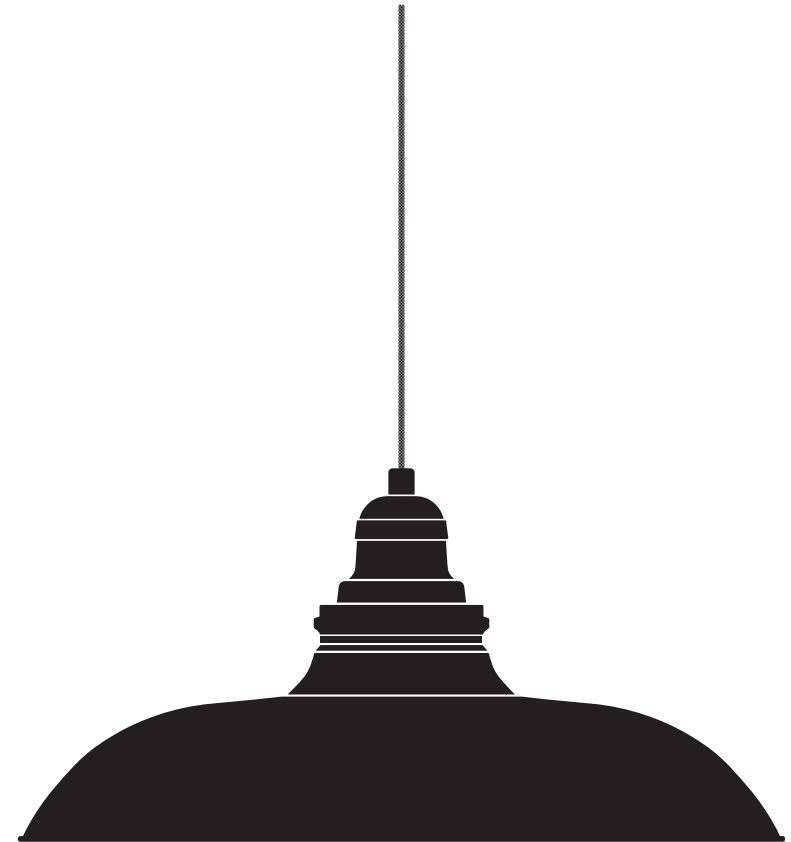


13/11/2023

Please retain these instructions for future reference.



# MILLHOUSE PENDANT USER GUIDE



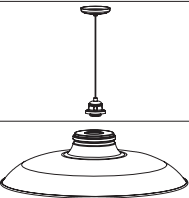


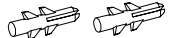
Product Code:  
70142510

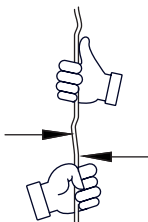
**Thank you for purchasing this Millhouse Pendant.  
Please read the instructions carefully before  
use to ensure safe and satisfactory operation  
of this product.**

**Warnings**

- ⚠ This is a Class II product and must NOT be earthed. For your safety, this product must be installed in accordance with local Building Regulations. If in any doubt, or where required by the law, consult a competent person who is registered with an electrical self-declaration scheme. Further information is available online or from your Local Authority.
- To prevent electric shock switch off at mains supply before installing or maintaining this fitting.
- Ensure other persons cannot restore the electrical supply without your knowledge. This light fitting should be connected to a 5 amp fused circuit.
- This product is suitable for installation on surfaces with normal flammability e.g. wood, plasterboard, masonry. It is not suitable for use on highly flammable surfaces (e.g. polystyrene, textiles).
- Ensure the correct fixings are used for the installation surface.
- For your safety, always switch off the supply before cleaning or adjusting.
- This product is dimmable and can be used with most household dimmers, provided a dimmable bulb is used.

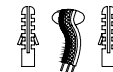
**Parts list**

		Qty
Light fitting		1
Shade		1
Screws (B)		2
Wall plugs		2

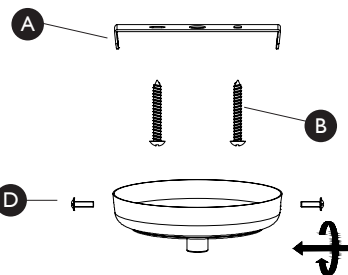


**Note:**  
During transit, the cable can become kinked. It may be necessary to straighten the cable to allow the shade to hang level. Manipulate the kinked cable between thumb and fingers to straighten.

1



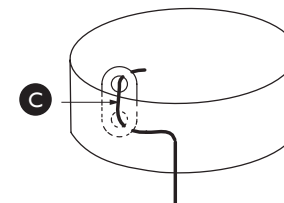
Refer to assembly diagrams below. Carefully unpack the carton, making sure all the parts are present before assembly.  
Before removing the existing fitting, carefully note the position of each set of wires.



2

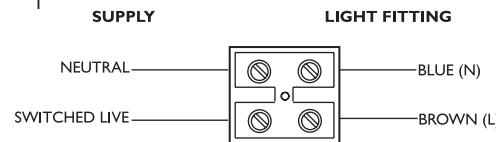
Remove the fixing bracket (A) from the ceiling cover and attach to the ceiling using the wall plugs and screws (B) provided. Ensure there is a joist at the point of fixing to support the weight of the product. Take care to avoid damaging any concealed wiring and pipes.

3



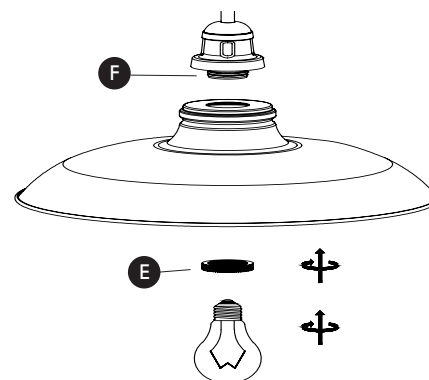
**Height Adjustment**  
The drop of this product can be reduced and will be easier to complete before attaching the product to the ceiling. Pull the cable through the cord grip (C) until the desired height is achieved.

4



Connect the connection block as per diagram. Check that:  
1) You have correctly identified the house wires. 2) The connections are tight. 3) No loose strands have been left out of the connection block. 4) When completed, ensure that there are no bare or loose strands of wire exposed.

5



Re-attach the product to the fixing bracket and tighten the side screws (D).  
To attach the shade remove the shade ring (E) from the threaded body (F), place the shade over the threaded body (F) and replace the shade ring (E), tightening with light pressure. Fit the recommended bulb. Your light is now ready to use.