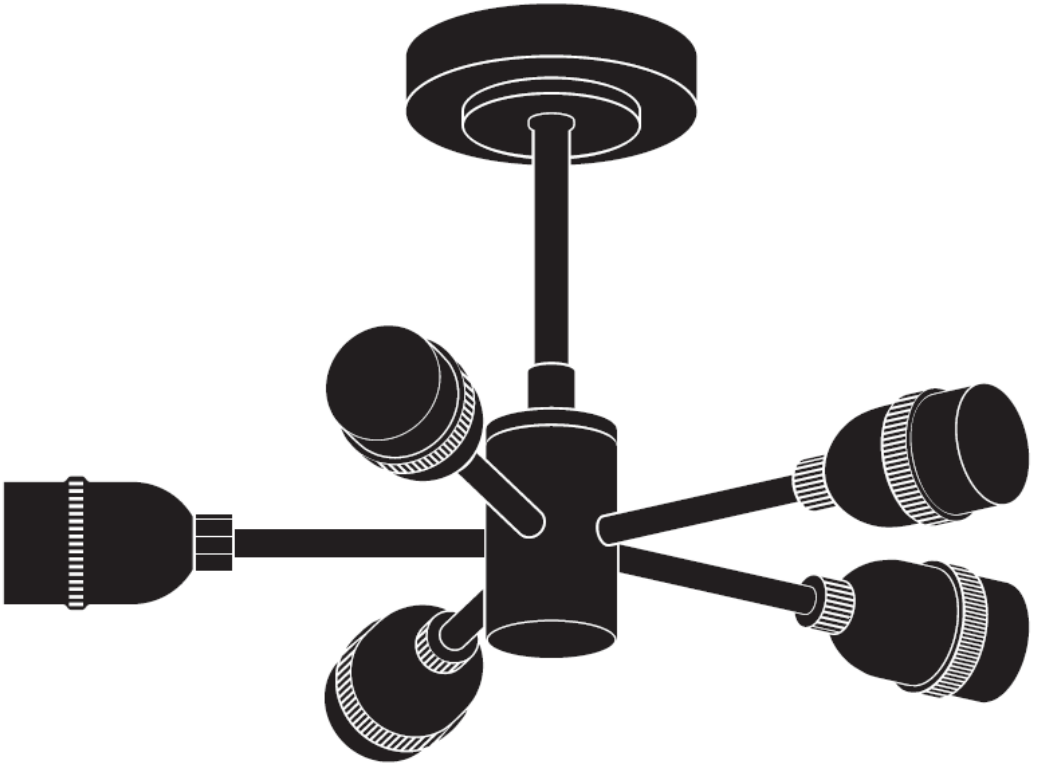




# BISTRO 5LT SEMI FLUSH USER GUIDE



**Thank you for purchasing this **Bistro 5 light semi flush****  
**Please read the instructions carefully before use to**  
**ensure safe and satisfactory operation of this product.**


## Warnings



For your safety, this product must be installed in accordance with local Building Regulations.

If in any doubt, or where required by the law, consult a competent person who is registered with an electrical self-certification scheme. Further information is available online or phone your Local Authority.

To prevent electric shock, switch off the mains supply before installing or maintaining this product. Ensure other persons cannot restore the electricity supply without your knowledge.




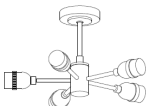
Always use the correct bulb type with the correct wattage as indicated in the specification table. This product is Class II =  and should be fitted to a lighting Supply protected by a 5 amp fuse or equivalent circuit breaker.

When changing the bulb, always switch off at the mains and allow the old bulb to cool down before handling. Dispose of used bulbs carefully.

Caution! The bulb and surrounding parts can become hot during use.

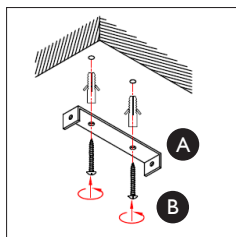
For indoor use only.

## Parts list

	Description	Image	Quantity
<b>A</b>	Mounting bracket		1
<b>B</b>	Fixings		2
<b>C</b>	Hex key and screw		1
<b>D</b>	Light fitting		1

1

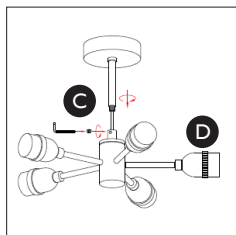
A B



Remove mounting bracket (A) from fitting by removing the retaining screws and any washers, retain for later. Using the mounting bracket as a template, mark and then drill the fixing holes in the mounting surface. (ensure the screws (B) are firmly fixed into a solid or other suitable mounting and not just the plasterboard.) Take care not to damage wiring. Attach mounting bracket to the mounting surface using suitable fixings. Do not attach fitting to mounting bracket at this stage. Make sure no wires are trapped in the process.

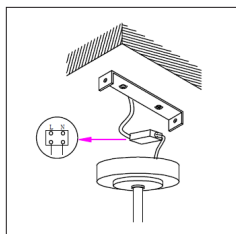
2

C D



Using the Hex key provided (C) loosen the grub screw located in the receiving tube of the central hub (D) Rotate the main, threaded stem into the receiving tube (keeping the lamp holder section still) until hand-tight and secure in place by re-tightening the grub screw. Take care not to twist the wiring or cross-thread the tube.

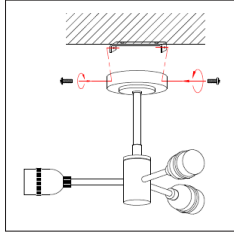
3



Ensuring the power has been isolated, feed the household supply cable through the black rubber sleeve of the terminal block and connect the electrical supply wires to the connector blocks corresponding terminals. Support the fitting weight and make the electrical connection as follows:

- Connect the supply live (normally brown or red) to fitting live (marked "L") on the terminal block housing.
- Connect the supply neutral (normally blue or black) to fitting neutral (marked "N") on the terminal block housing.

NO EARTH must be connected to any part of this fitting. Please note that residential wiring can vary, if you are unsure about the correct polarity please consult a qualified electrician. Ensure electrical connections are tight and no loose strands of wire protrude from the terminal block then close connector block cover by snapping back together.



Excess cable must be carefully located inside the ceiling cup or within the ceiling cavity itself. Carefully offer fitting (D) over mounting bracket then secure in place with the screws and any washers removed earlier. Take care not to damage the wiring.

**Fit the bulb:** type and wattage as indicated on the fitting. **The wattage must not be exceeded.**

Once installation is complete, the house electricity may be restored at the fuse box.







---

**Caring for your product**

We recommend cleaning with a soft dry cloth. Do not use abrasive materials as these will damage the finish.

Replace bulb from John Lewis or established brand of the same type and compatibility.

---

**Aftercare and Troubleshooting**

If you experience any unresolvable technical issues with the product, contact your nearest John Lewis & Partners shop or John Lewis & Partner Technical Support on 03301 230106.

Why is the light not working when switched on?

Check your power supply is switched on

Turn off light and check that the bulb is inserted correctly

Check the bulb is still in working order.

---

**Specification**

Max. power: 28W or 5-7W LED (400-700 lumen)

Voltage: 220–240V, 50Hz IP rating: 20

Weight: 0.9kg



---

**5 year guarantee**

At John Lewis & Partners we test every light to high quality standards so we are able to offer you a 5 year guarantee.

---

**Recycling**

This symbol  indicates that this product should not be treated as normal household waste and it should be recycled. John Lewis & Partners do not operate instore take back, but as members of the Distributor Take Back scheme have funded the development and upgrade of recycling facilities across the UK. Please take it to your nearest collection facility or for further details contact your local council or visit [www.recycle-more.co.uk](http://www.recycle-more.co.uk).



---

John Lewis Partnership  
171 Victoria Street  
London SW1E 5NN  
[johnlewis.com](http://johnlewis.com)

Made in China

Please retain these instructions for future reference.

---