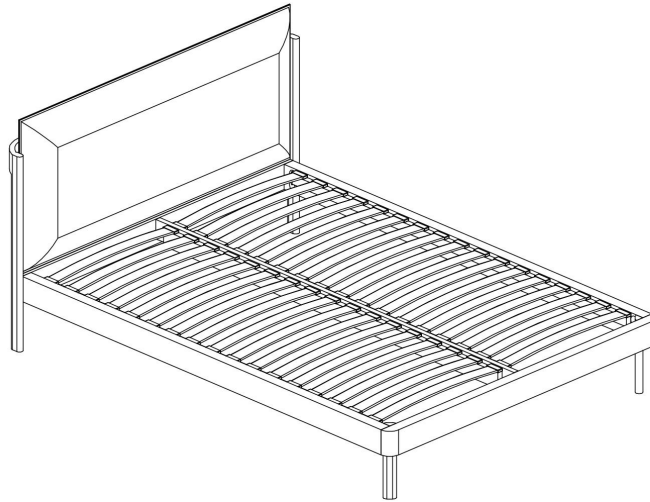




Pillow Bed 150CM Bedstead  
Stock Number:80353305/80356205



H100 W160 D221

Thank you for purchasing the Design Project No. 201 Pillow Bedstead 150cm. Please make sure you read the instructions and warnings carefully before proceeding to ensure safe and satisfactory operation of this product.

At John Lewis and Partners we are committed to making great products, from our in-house design team to our buyers, we work together to bring great design to life.

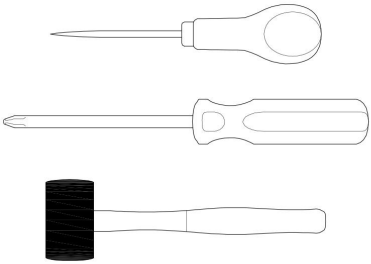
Our expert Product Technologists work collaboratively with our buyers and suppliers to ensure the legality, safety, and quality of the product we sell.

We are all committed to designing and developing products to the highest industry standard.

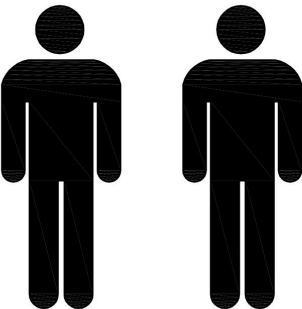
We hope you are happy with your product and welcome any feedback or comments you may have.

The John Lewis and Partners team.

**Tools required**



Time to assemble  
2 Hours  
People to assemble



## Important safety information

### WARNING

The product should only be used on firm, level ground.

Keep small parts out of reach of children.

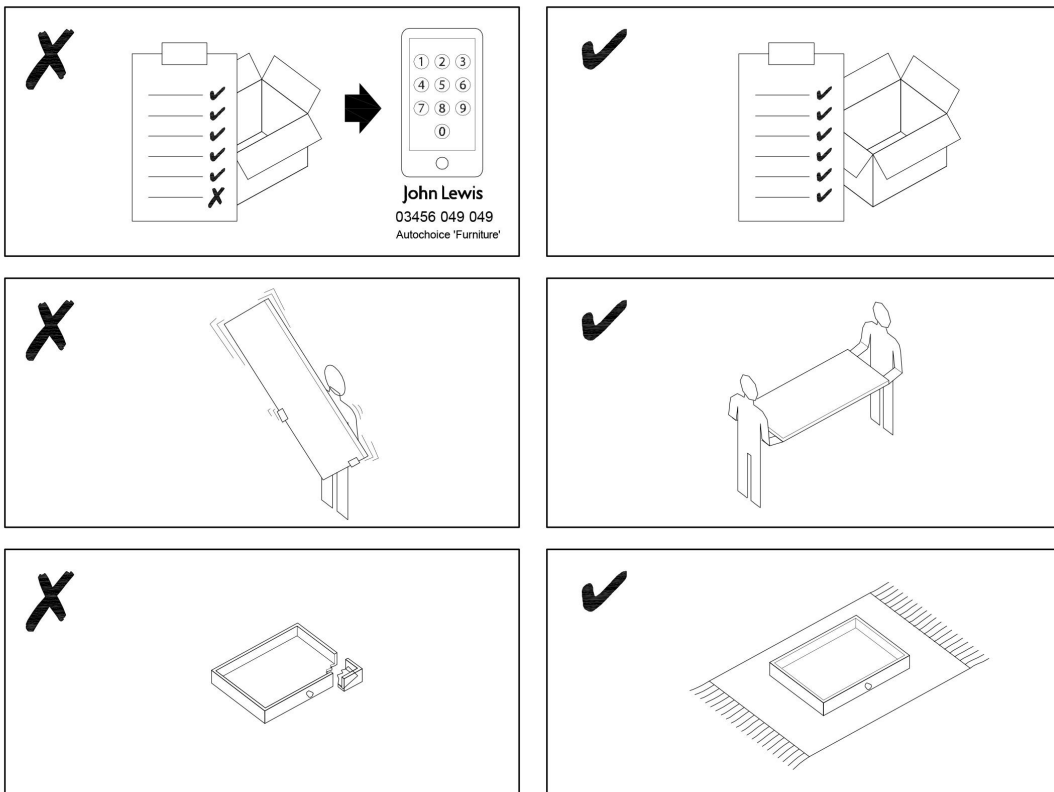
Ensure the product is fully assembled as illustrated before use.

### Do's

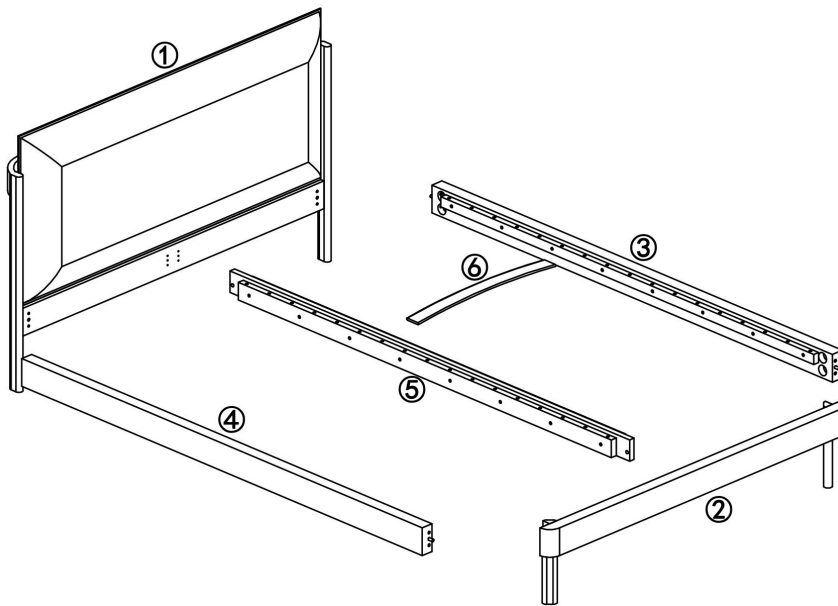
- ✓ Check the pack and make sure you have all the parts listed.
- ✓ Check all screws or bolts are tightened and inspect regularly.
- ✓ Make sure the legs remain in contact with the ground at all times

### Don'ts

- ✗ Do not over tighten screws or bolts.
- ✗ Do not stand on the product.
- ✗ Do not use power tools to construct as overtightening and panel failure may occur.

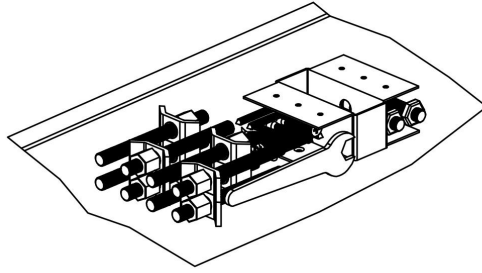


## Your Bedstead


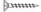


| Ref | Description         | Dimensions              | Qty |
|-----|---------------------|-------------------------|-----|
| ①   | Headboard           | 1600mm X 182mm X 1000mm | 1   |
| ②   | Footboard           | 1540mm X 85mm X 320mm   | 1   |
| ③   | L/H Siderail        | 2040mm X 110mm X 75mm   | 1   |
| ④   | R/H Siderail        | 2040mm X 110mm X 75mm   | 1   |
| ⑤   | Center Support rail | 2036mm X 85mm X 73mm    | 1   |
| ⑥   | Slats               | 702mm X 64mm X 8mm      | 34  |



## Fixtures and fittings



Fixtures and fittings  
Supplied ( actual size )

| Ref | Description             | Dimensions         | Qty |   |
|-----|-------------------------|--------------------|-----|---|
| Ⓐ   | Metal Threaded Rods     | 8mm X 80mm         | 8   |  |
| Ⓑ   | Large Nuts with Washers | 34mm X 18mm X 14mm | 8   |  |
| Ⓒ   | Bracket                 | 84mm X 60mm X 30mm | 2   |  |
| Ⓓ   | Screw                   | 3.5mm X 20mm       | 12  |  |
| Ⓔ   | Bolts                   | 8mm X 40mm         | 2   |  |
| Ⓕ   | Small Nuts              | 8mm                | 2   |  |

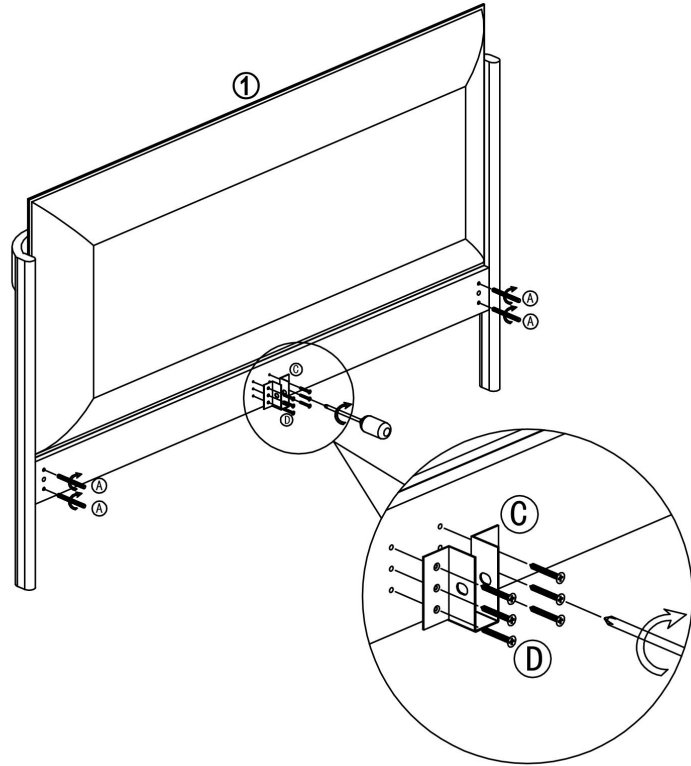
Fixtures and fittings  
Supplied ( not actual size )

| Ref | Description | Dimensions         | Qty |   |
|-----|-------------|--------------------|-----|---|
| Ⓖ   | Slat caps   | 66mm X 25mm X 24mm | 68  |  |
| Ⓕ   | Wrench      | 13mm               | 1   |  |

## Step 1

Parts, Fittings and Tools

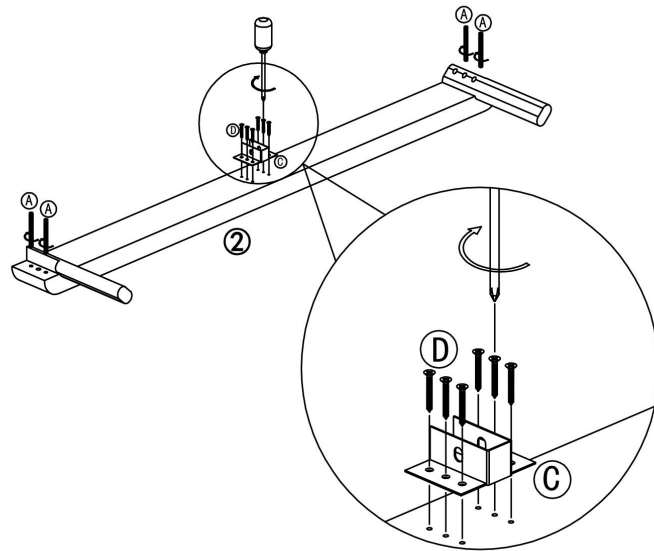
Ⓐ Ⓒ Ⓓ ①



## Step 2

Parts, Fittings and Tools

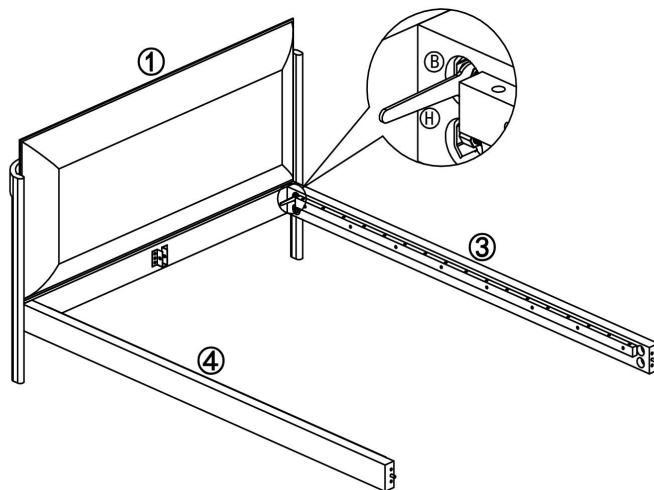
Ⓐ Ⓒ Ⓓ ②



### Step 3

Parts, Fittings and Tools

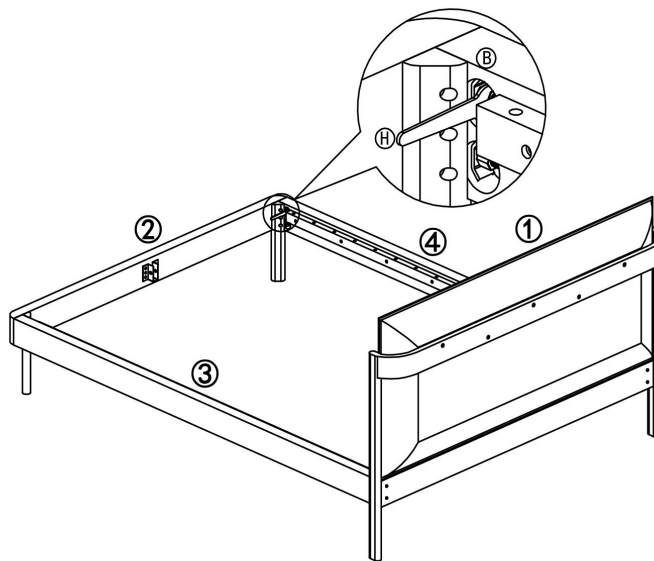
Ⓑ Ⓗ ① ③ ④



### Step 4

Parts, Fittings and Tools

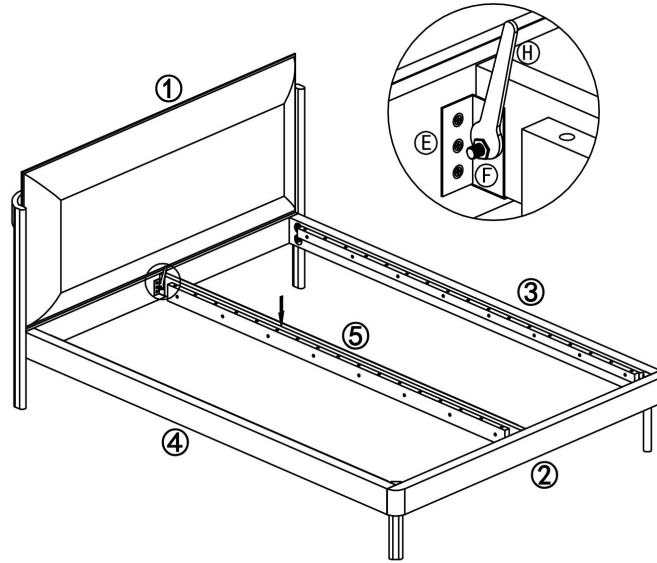
Ⓑ Ⓗ ① ② ③ ④



## Step 5

Parts, Fittings and Tools

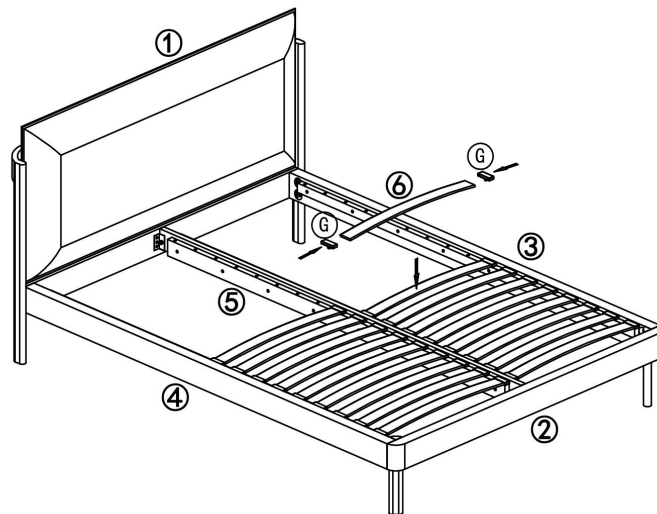
Ⓔ Ⓕ Ⓖ Ⓗ ⓫ ⓬ ⓭ ⓮ ⓯



## Step 6

Parts, Fittings and Tools

Ⓖ ⓫ ⓬ ⓭ ⓮ ⓯ ⓰





## Care guide

### Care and maintenance

#### Wood furniture

Wood displays different grain patterns depending on which way they are cut -for example, the 'medullary ray' which can appear on oak furniture is a mark of good quality timber-these are just characteristics of the natural beauty of the wood. Some furniture is also deliberately aged and rustic.

Wood veneers also allow a distinctive pattern to be created on some surfaces, such as tabletops and drawer fronts by the way slivers are arranged.

All timber and veneer surfaces will change colour and mellow over time. New furniture will initially vary in shade from items that have been previously purchased.

#### How to care for your wood furniture

Furniture with a hard lacquer, wax polish or painted surface should be dusted with a dry cloth.

Waxed furniture will need to be given a coat of beeswax a couple of times a year to help maintain its lustre.

Spray polishes are best avoided as they contain silicones which may spoil the furniture's surface when building up over time.

Make sure all surfaces are protected from heat and liquids by mats and coasters, Wipe up spills immediately and ensure that a mat or pad is placed under paper if you are writing.

Our furniture will endure most temperatures in the home, but it is best to avoid placing furniture next to heat sources such as radiators or fires Be particularly careful with solid wood as the lack of humidity caused by home heating can cause damage such as warping.

#### Safety instructions

Never drag furniture when moving it always lift it.

Periodically check all fixings to ensure none have come loose and retighten when necessary.

Please take care when handling or moving the furniture as careless handling may cause damage or injury.

Furniture can be dangerous if incorrectly installed. Assembly should be carried out by a competent person. No liability will be accepted for damage or injury caused by incorrectly installed or assembled furniture.

Retain these instructions for future reference

John Lewis Partnership  
171 Victoria Street  
London SW1E 5NN  
johnlewis.com