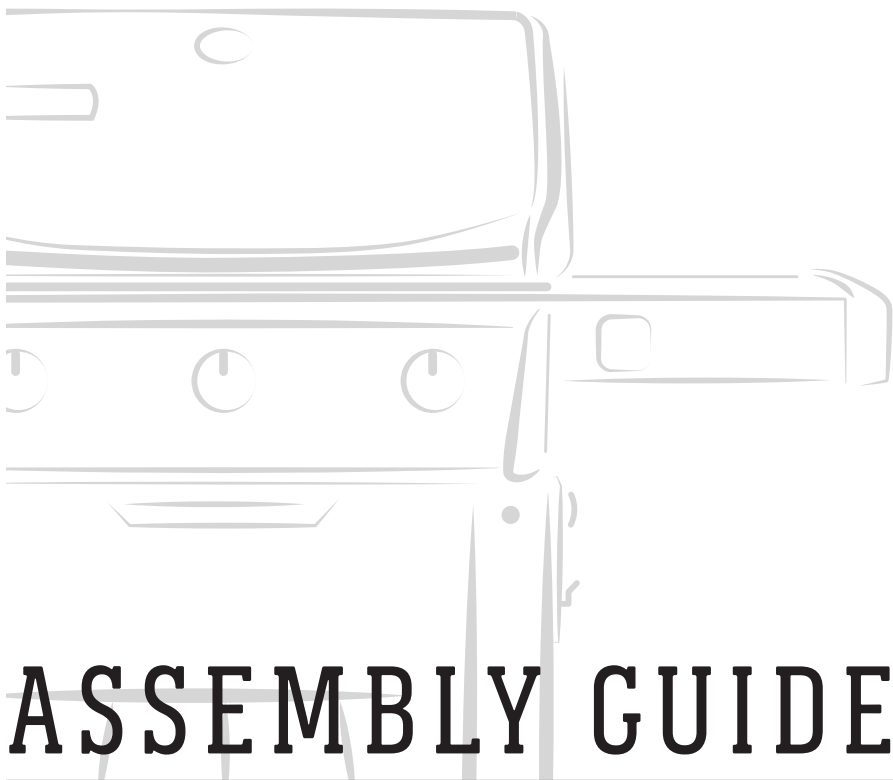


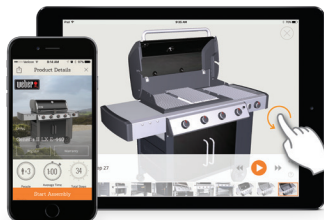
SPIRIT II

E-210 GBS • E-310 GBS



ASSEMBLY GUIDE

Before you begin



Enhance your assembly experience.

Download the free BILT™ app for
3D step-by-step instructions.



59674

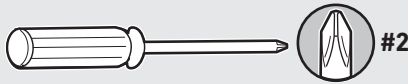
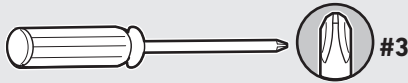
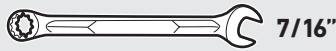
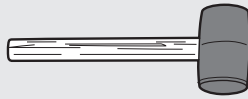
11/15/17
EN / ZA

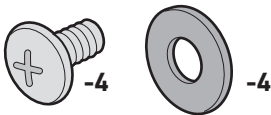
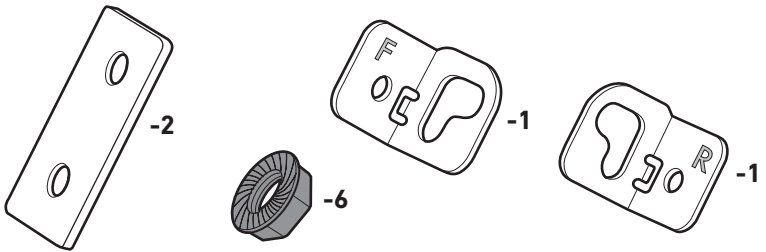
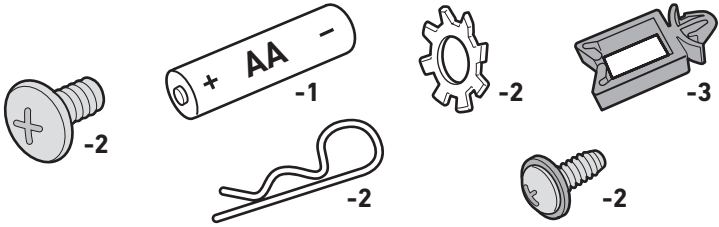
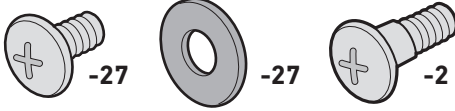
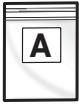


FOR LIFE!

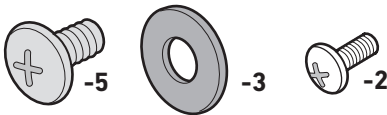
- ⚠ Assemble grill on a flat, level, and soft surface.
- ⚠ Do not use power tools for assembly.
- ⚠ Two people required for assembly.
- ⚠ There may be visual differences between illustrations and model purchased.
- ⚠ All packing material is recyclable.

TOOLS REQUIRED:

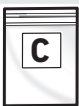




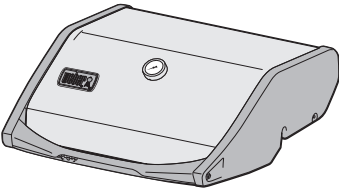
210



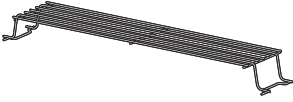
310



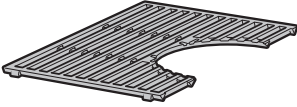
1



1



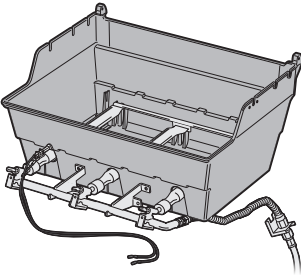
2



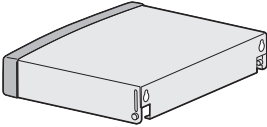
1



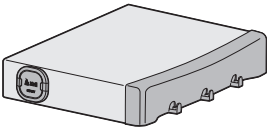
1



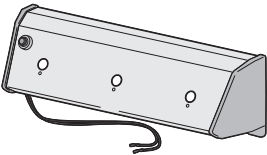
1



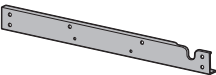
1



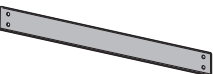
1



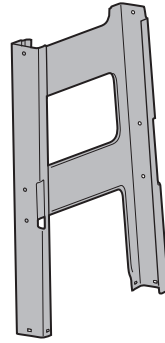
1



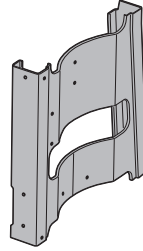
1



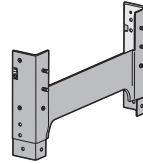
1



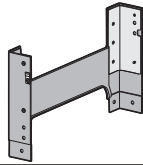
1



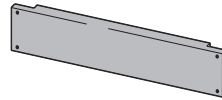
1



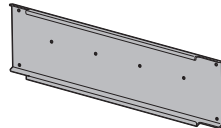
1



1



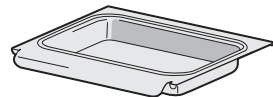
1



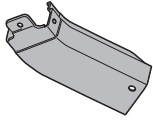
1



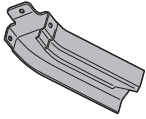
1



1



1



1



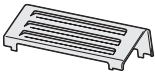
2



2



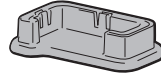
1



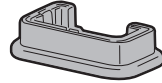
1



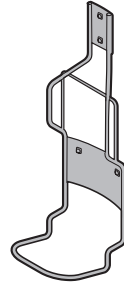
1



1

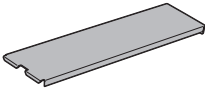


1



210

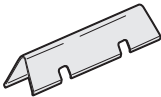
3



2

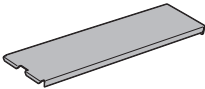


3



310

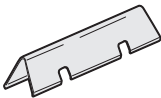
4



3



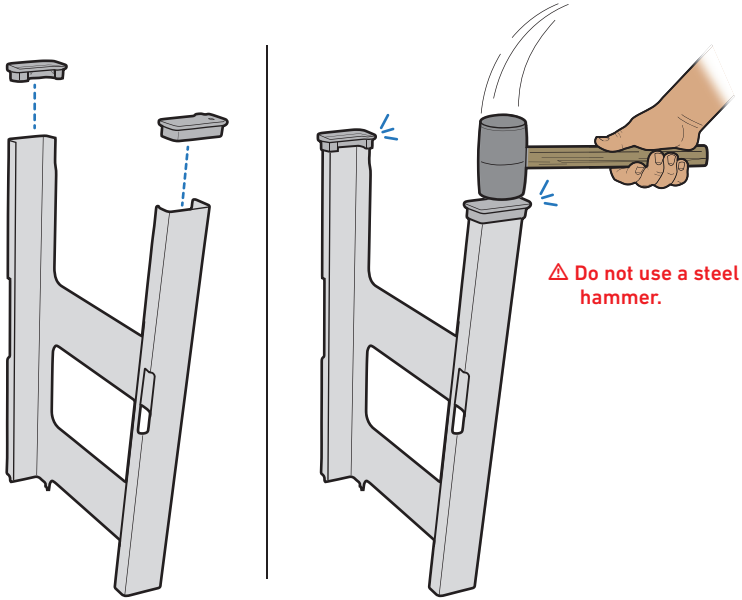
5



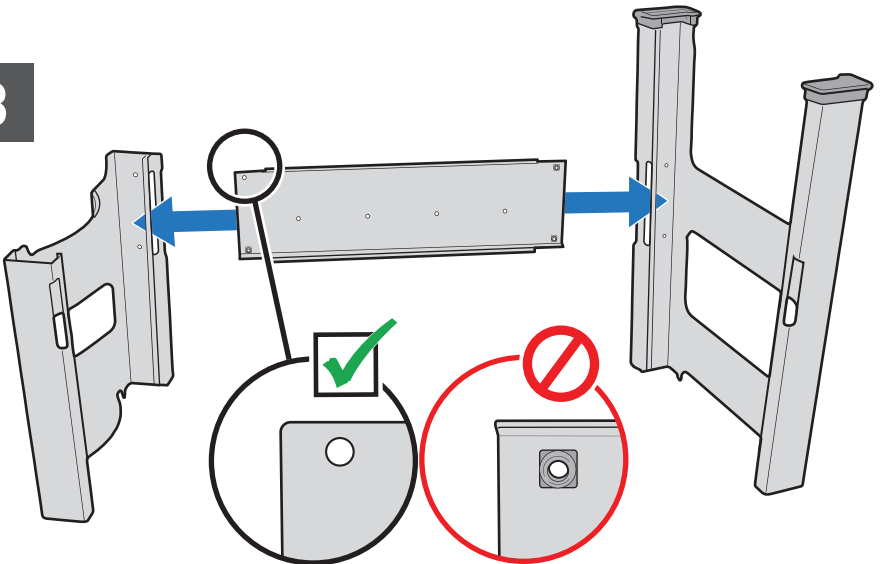
1 BILT.

• Download the free BILT app for 3D step-by-step instructions.

2



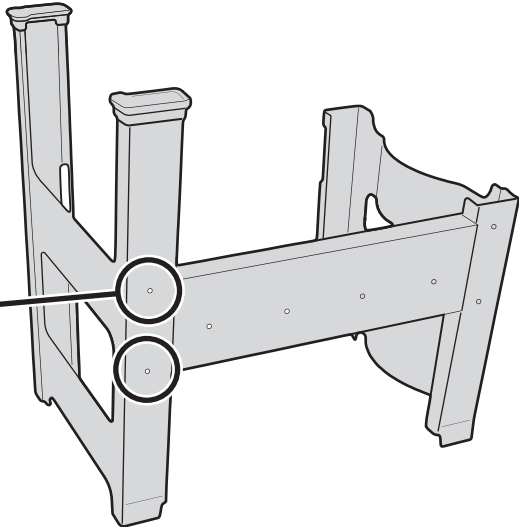
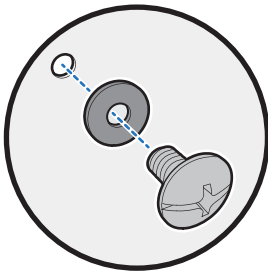
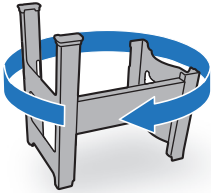
3



4

2- 

2- 



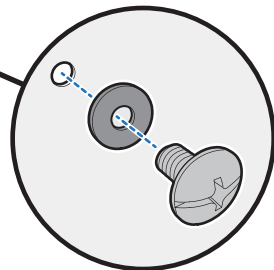
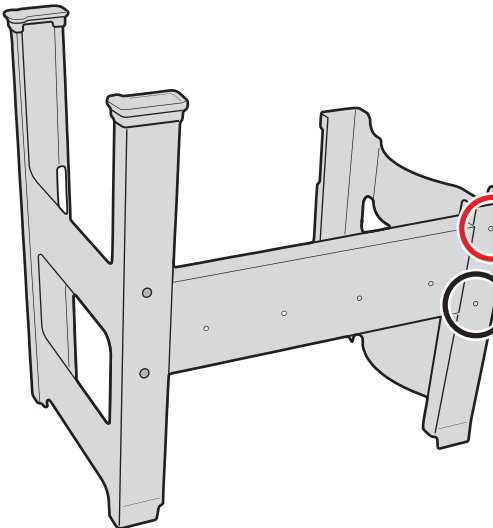
5

1- 

1- 



⚠ NO screw and washer.

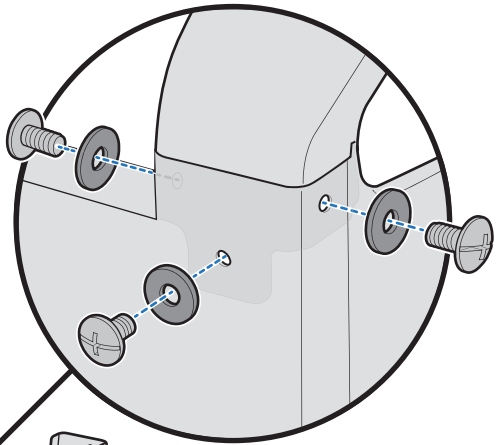
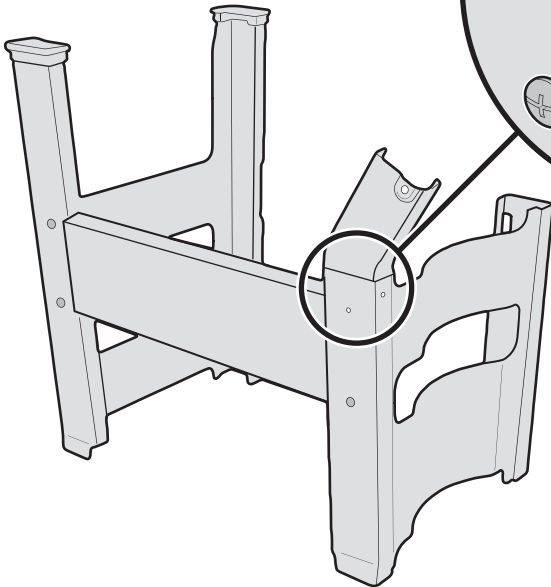
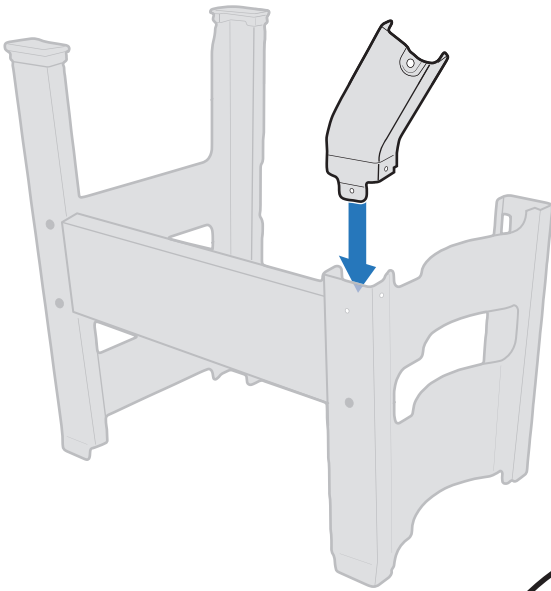


6

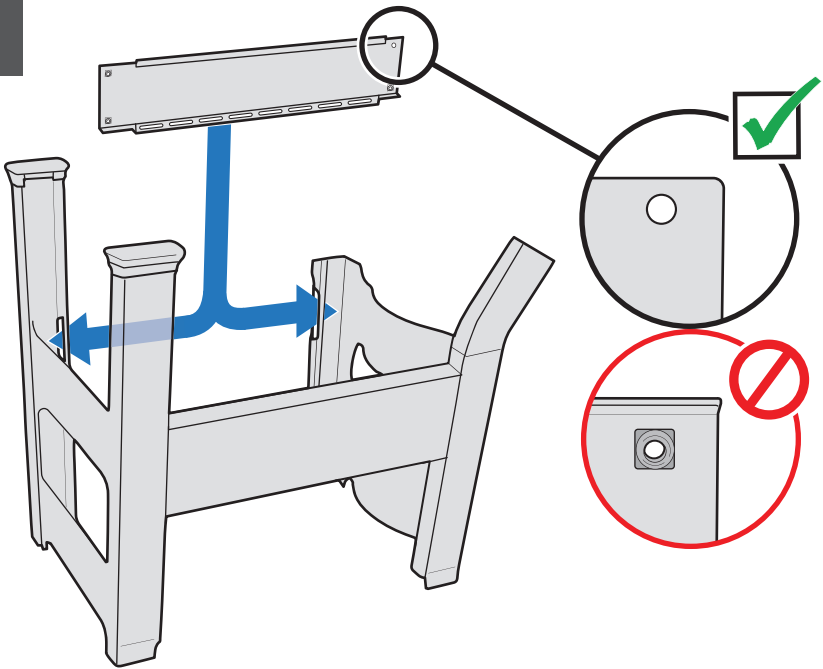
3-



3-



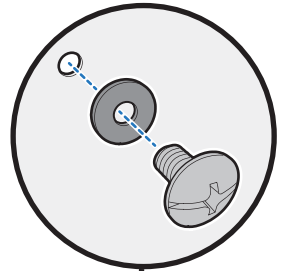
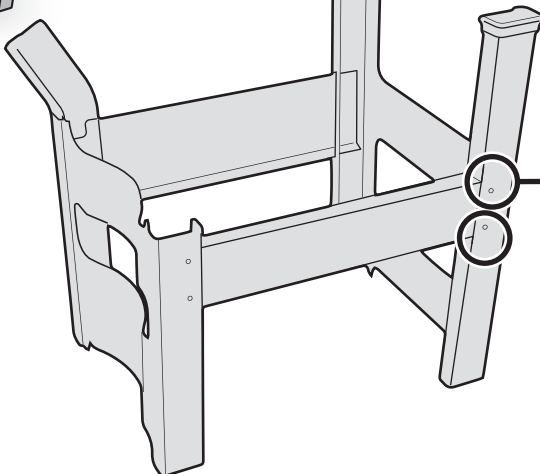
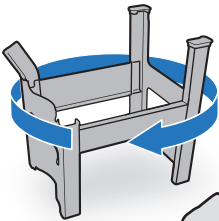
7



8

2- 

2- 



9

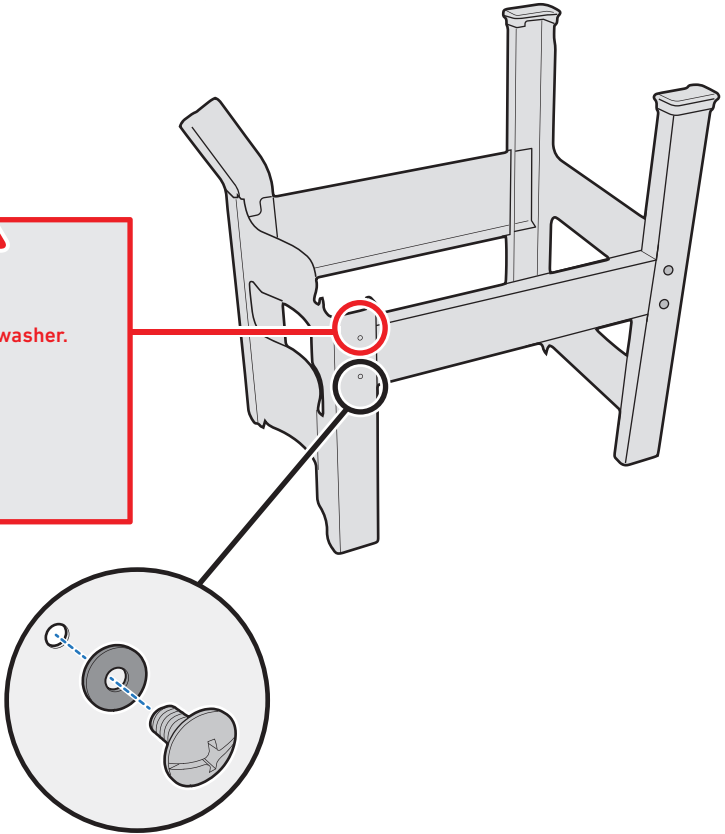
1-



1-



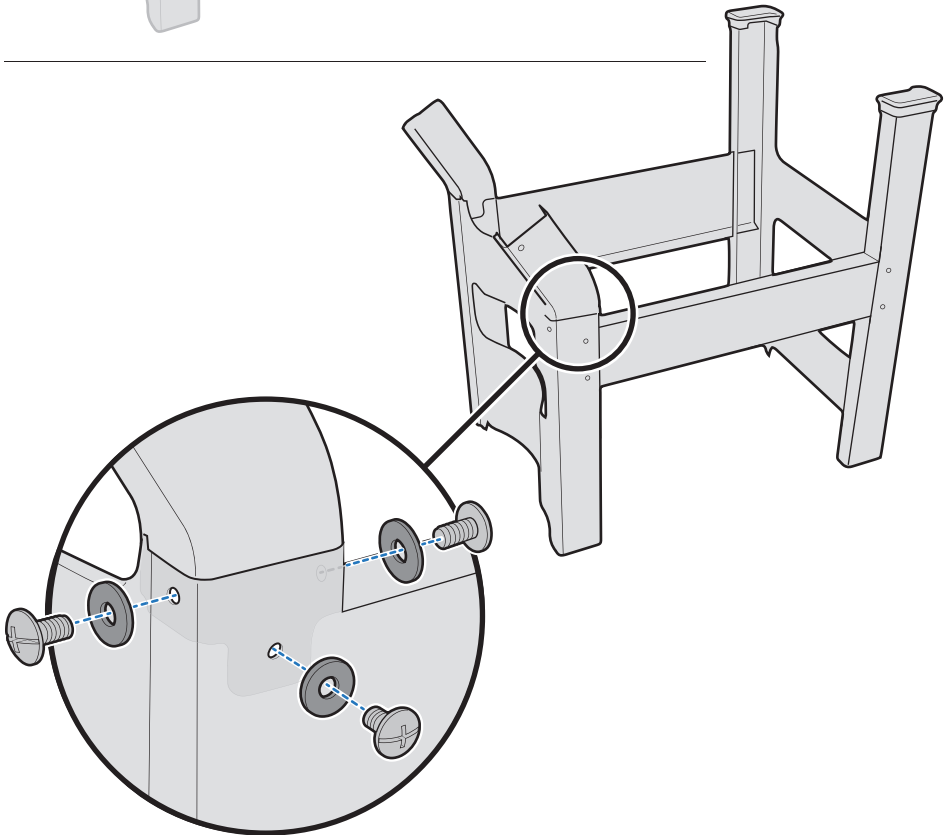
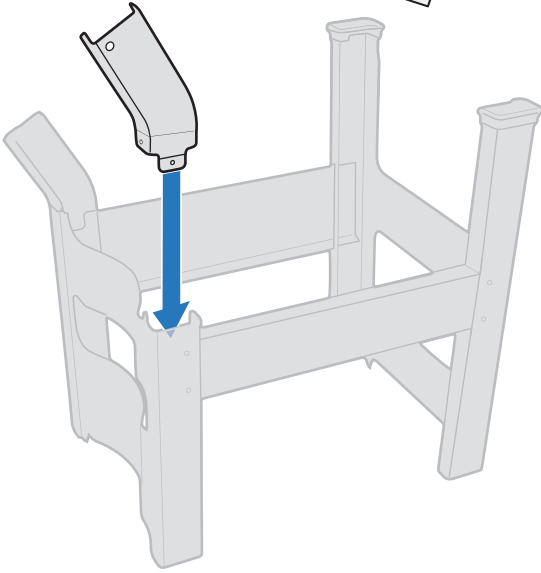

⚠ NO screw and washer.



10

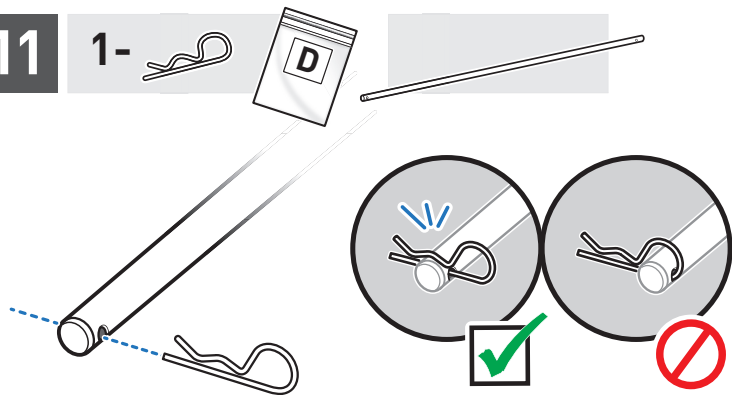
3- 

3- 

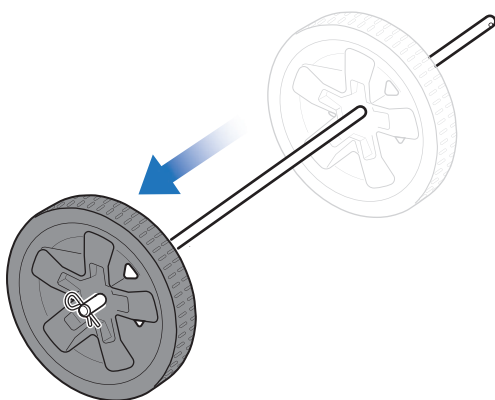


11

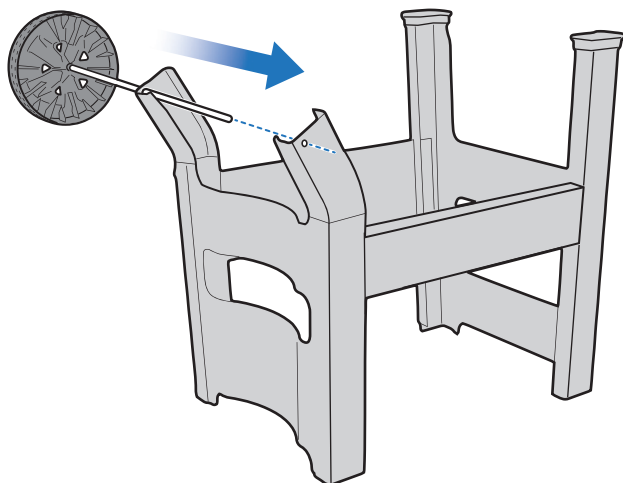
1-



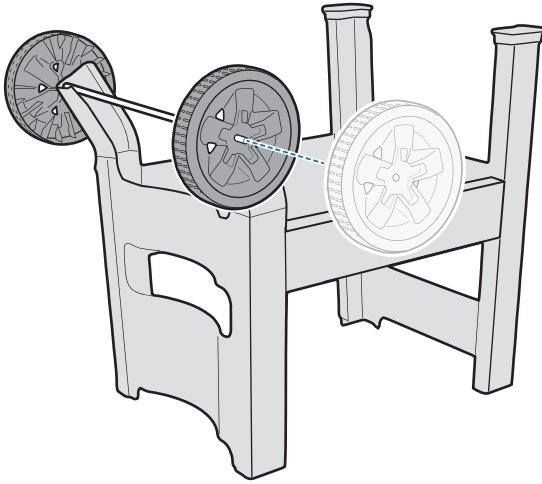
12



13

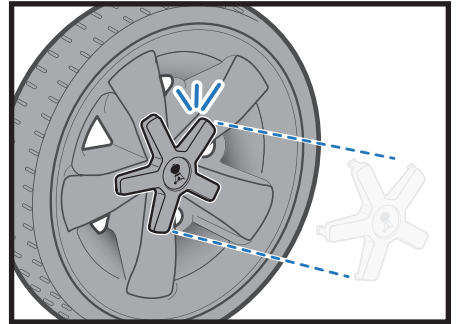
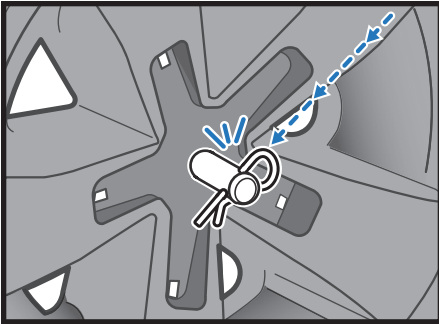
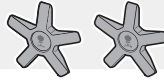


14



15

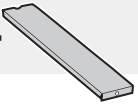
1-



16

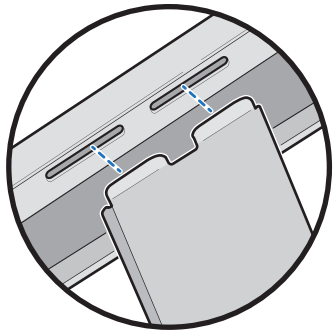
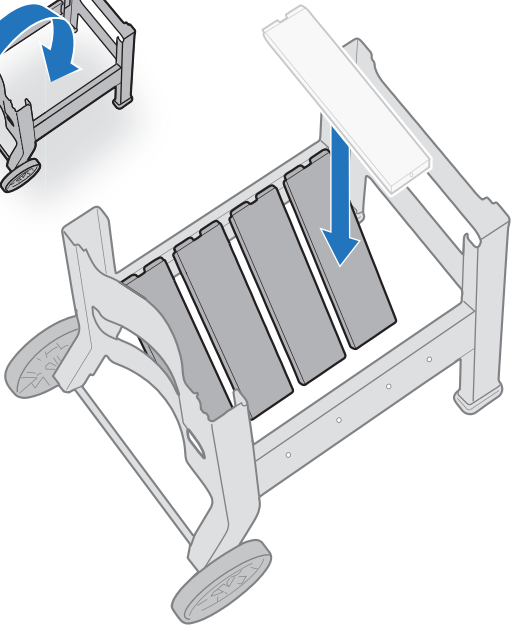
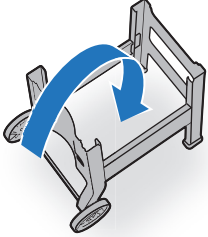
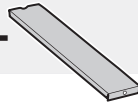
210

3-



310

4-



17

210

3-



3-

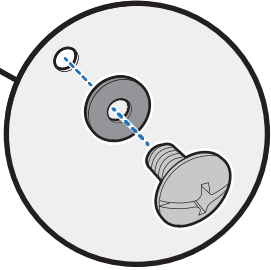
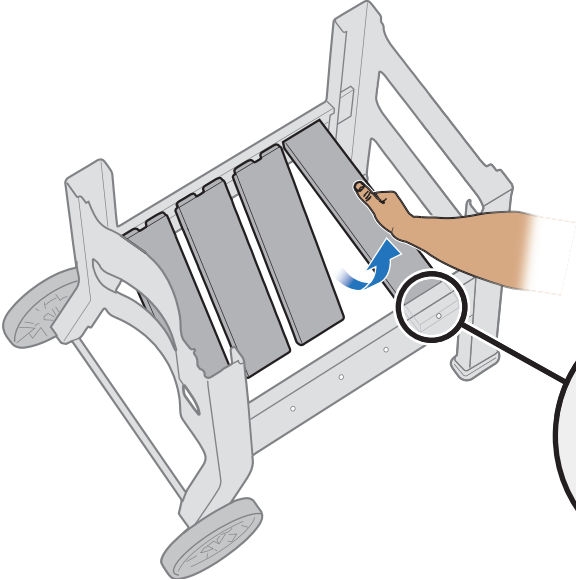


310

4-



4-



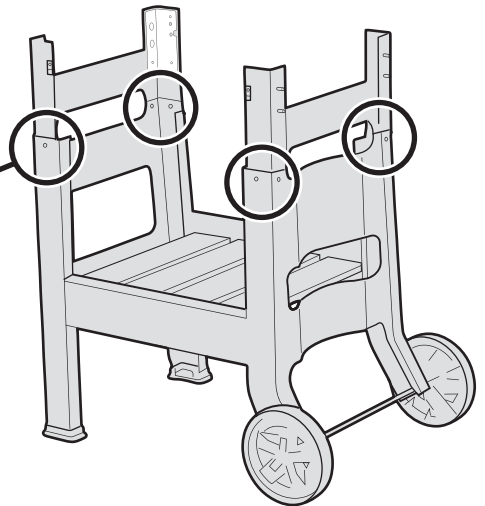
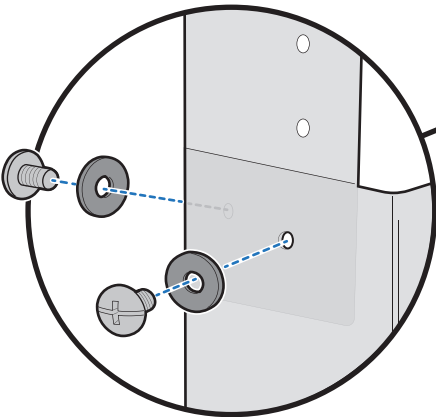
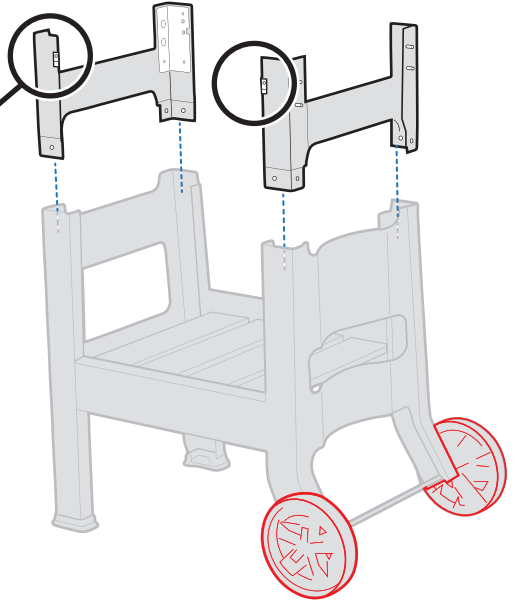
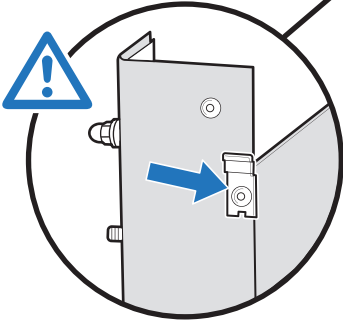
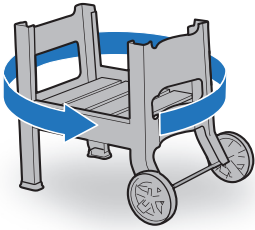
18

8- 

8- 



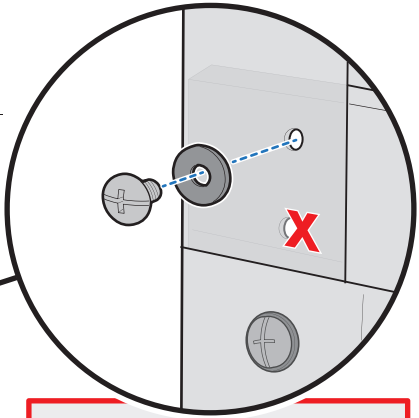
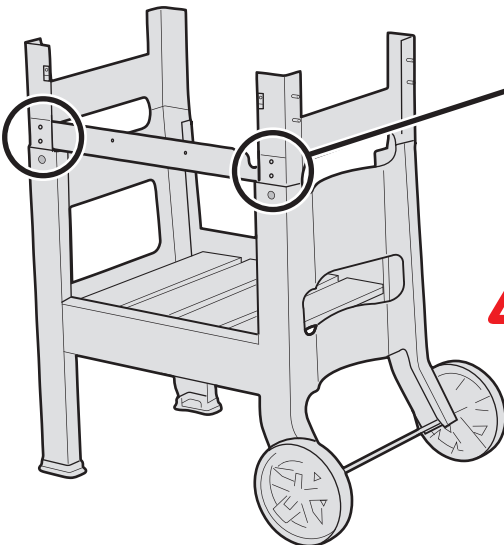
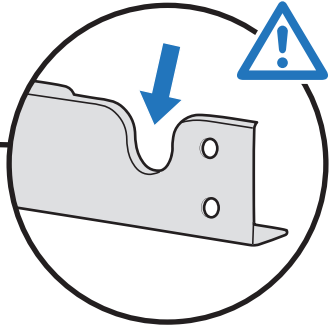
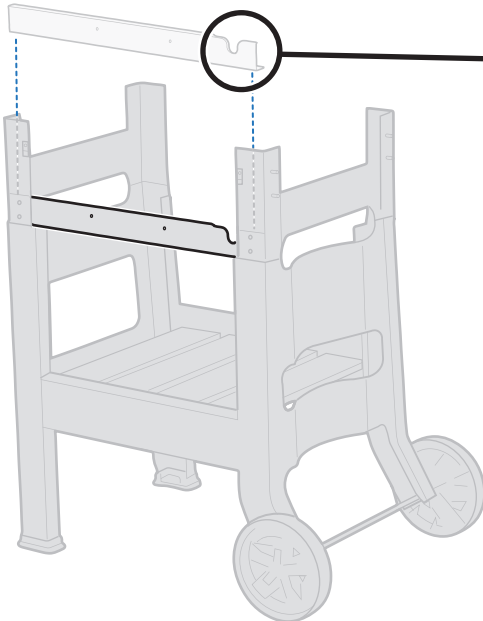
 **Wheels must be to the RIGHT.**



19

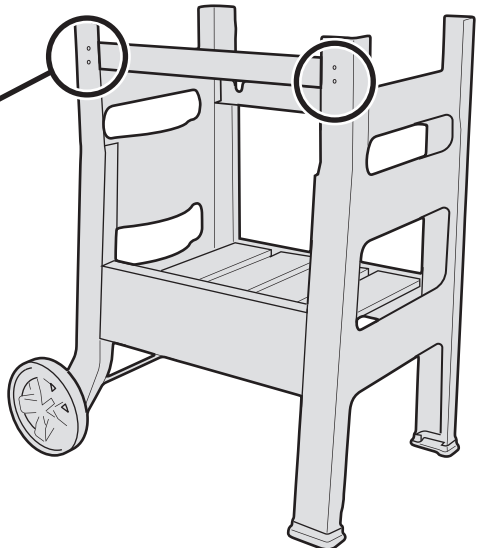
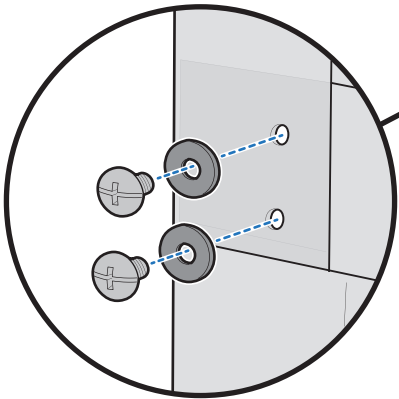
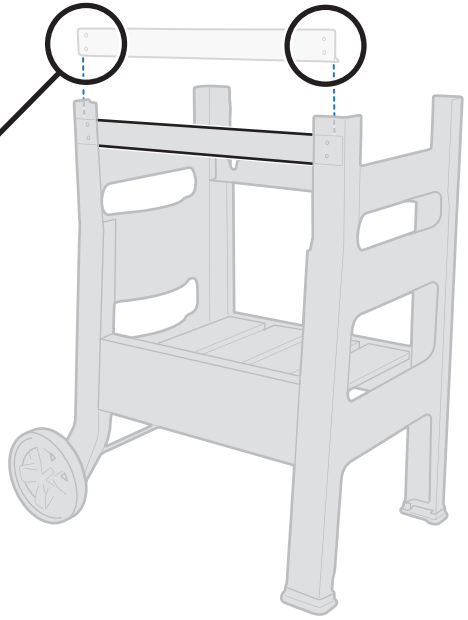
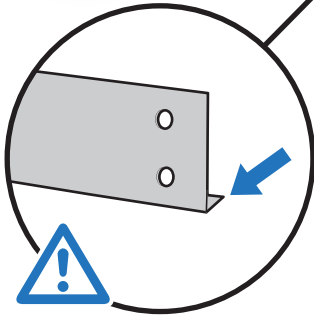
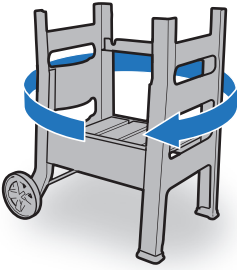
2-

2-

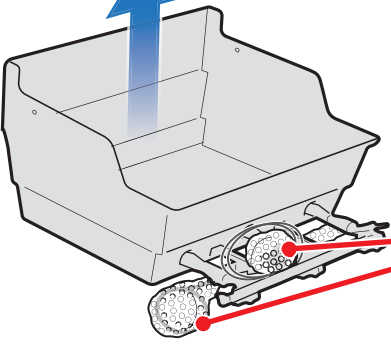
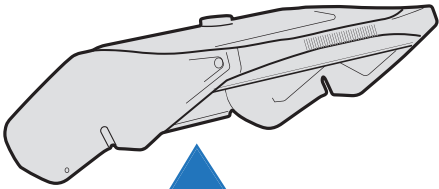
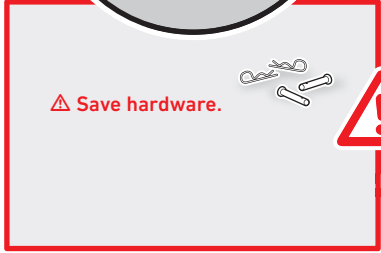
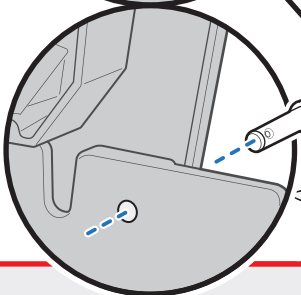
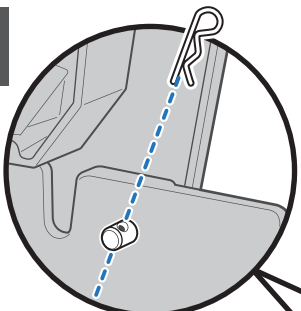


⚠ Install top screw and washer ONLY.

20

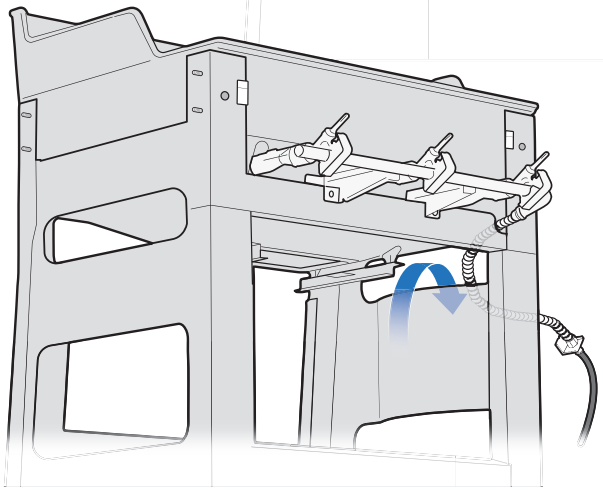
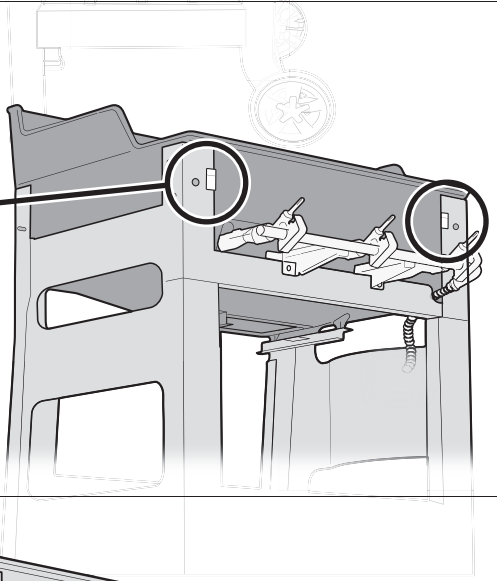
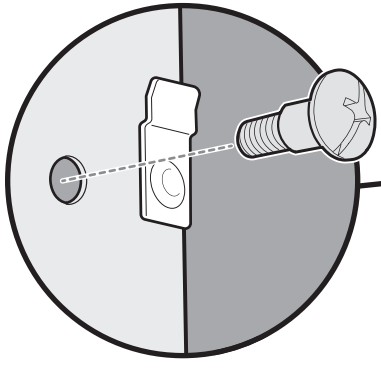
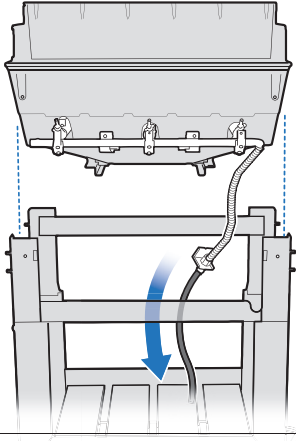
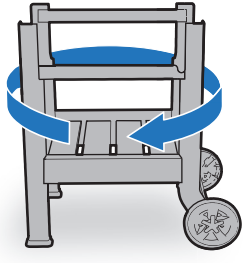


21



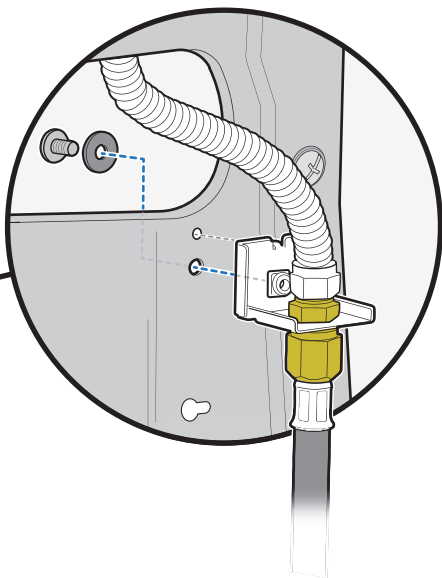
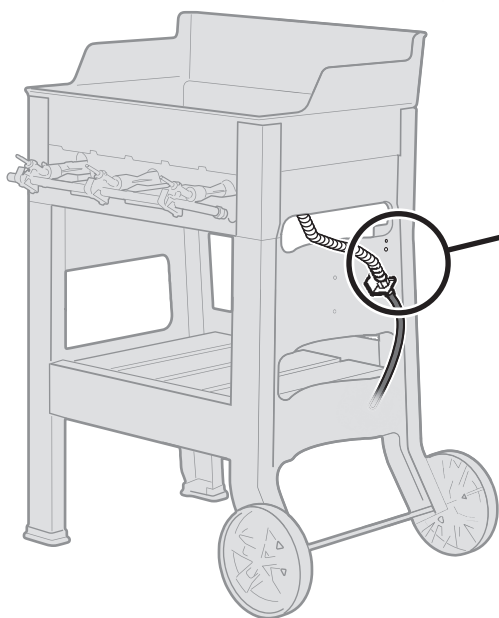
22

2-



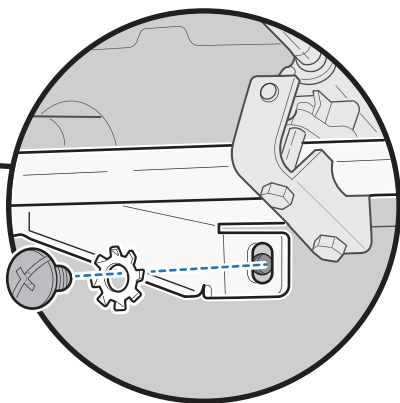
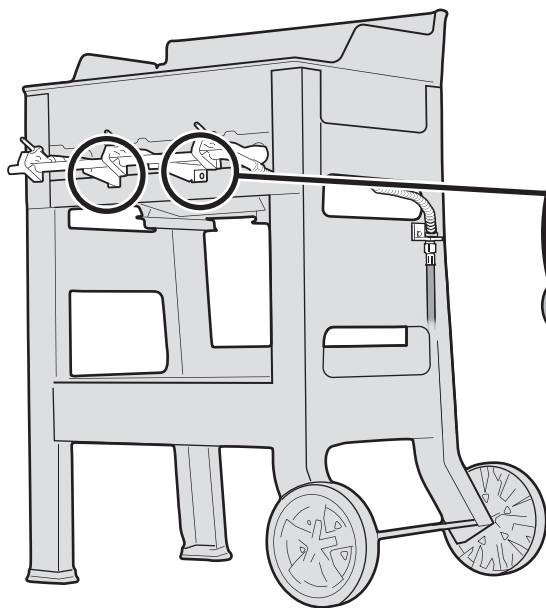
23

1-  1- 

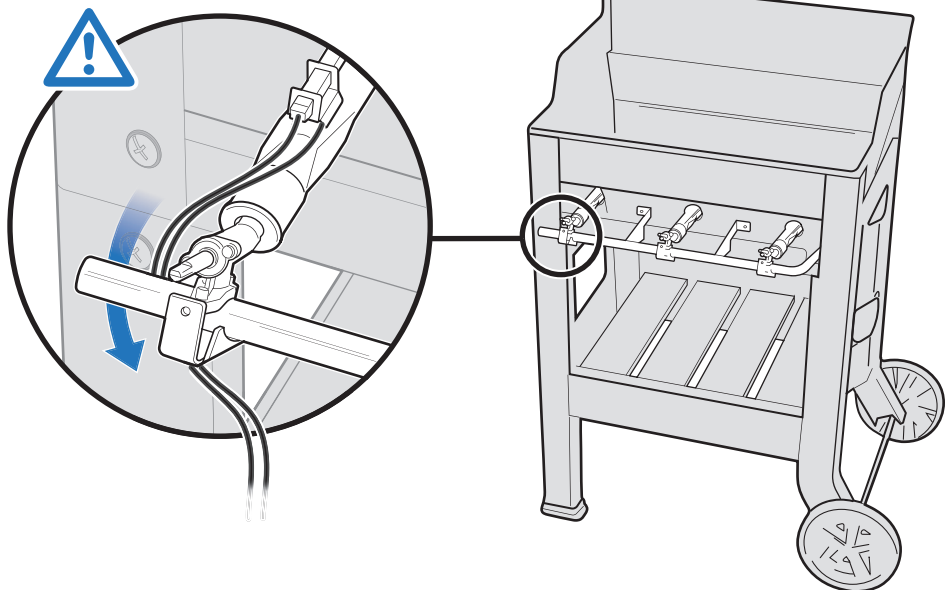


24

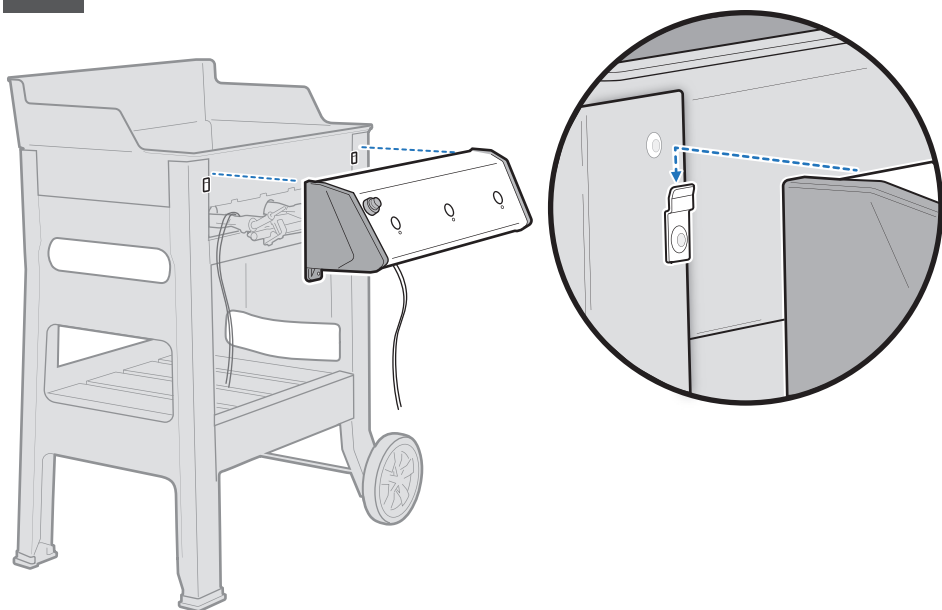
2-  2- 



25



26



27

210

2-



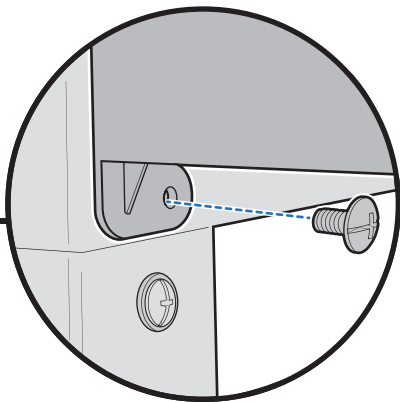
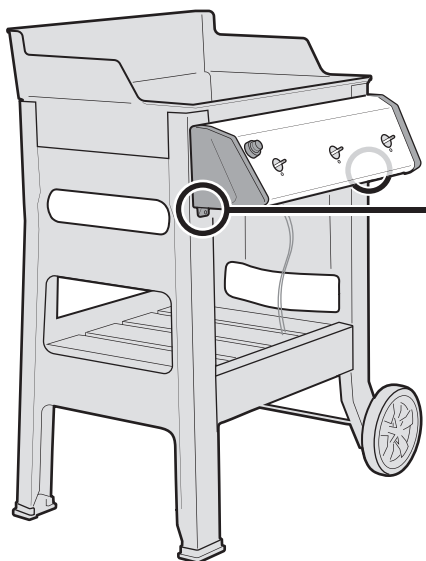
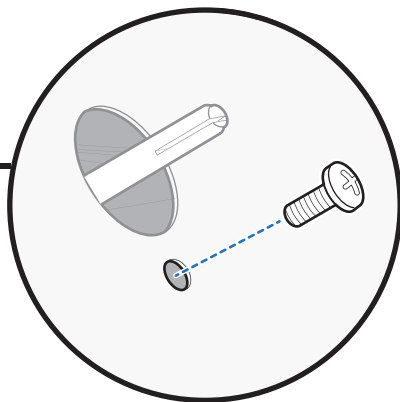
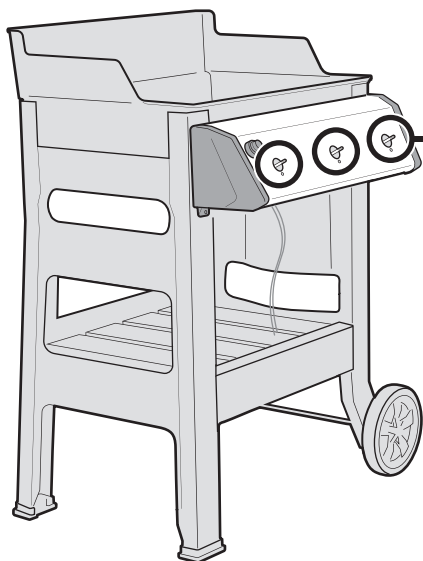
2-



310

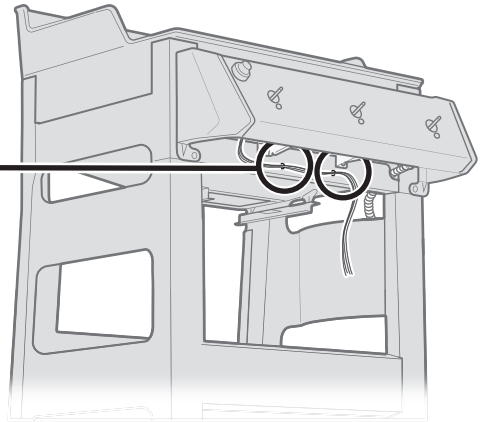
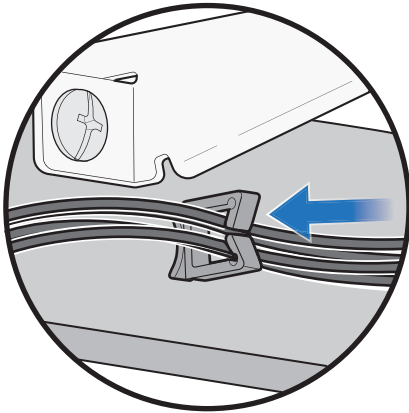
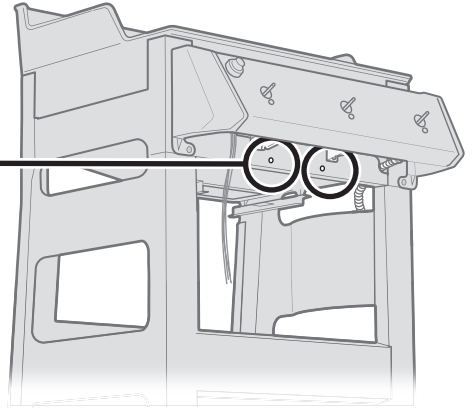
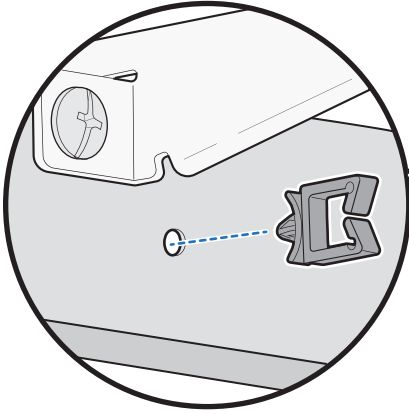
2-

3-



28

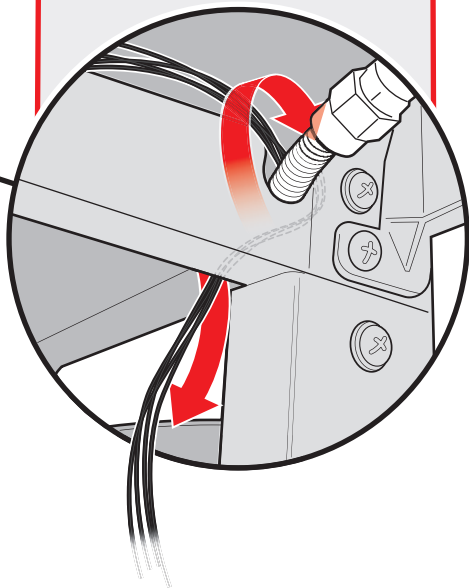
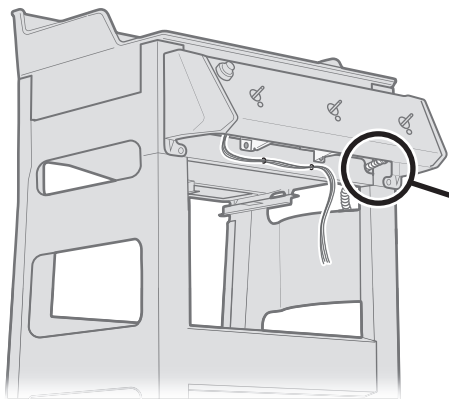
2-



29

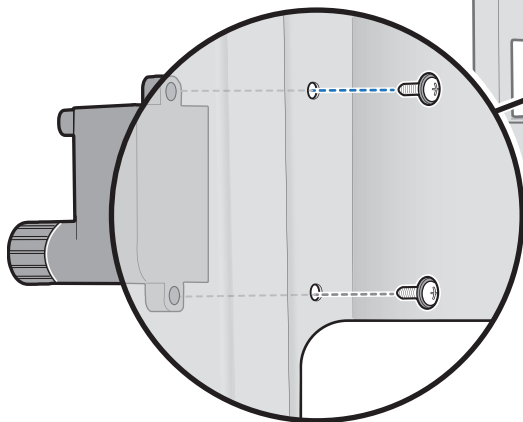
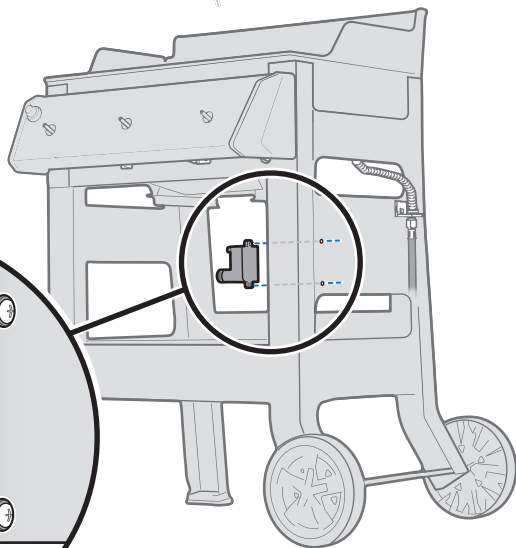


⚠ Wires must be routed **AROUND** and **BEHIND** the steel gas line.

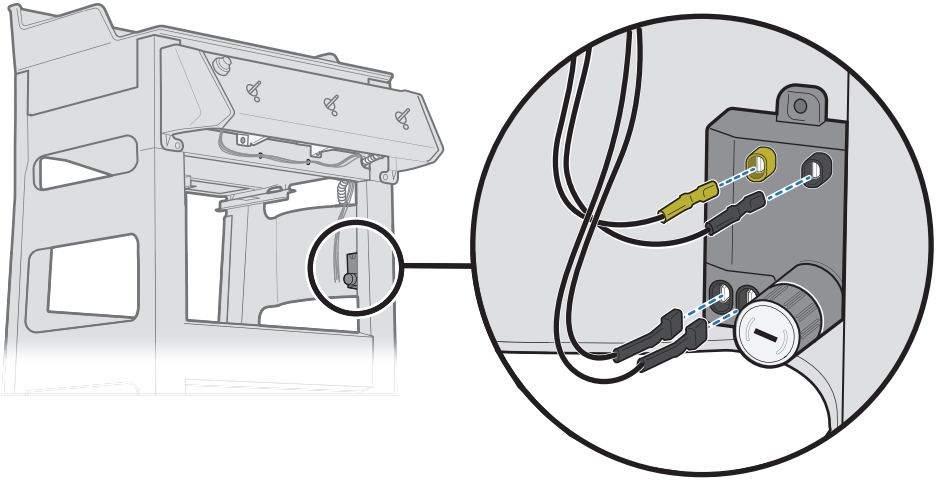


30

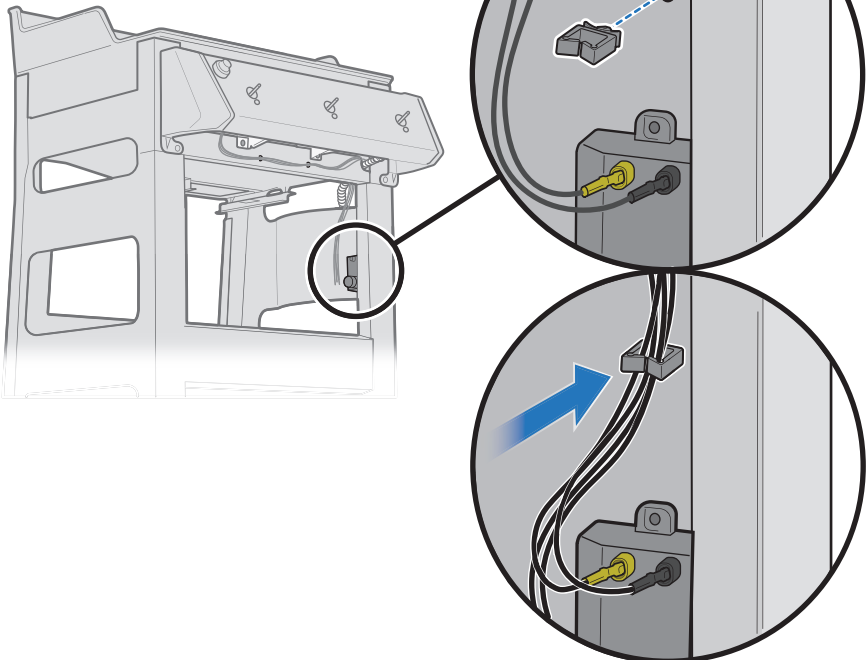
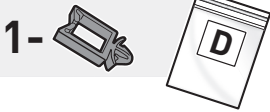
2-



31

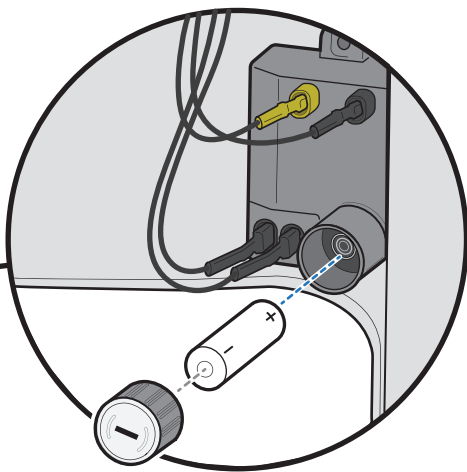
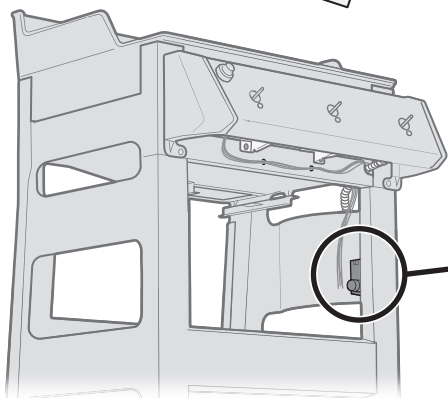


32



33

1-

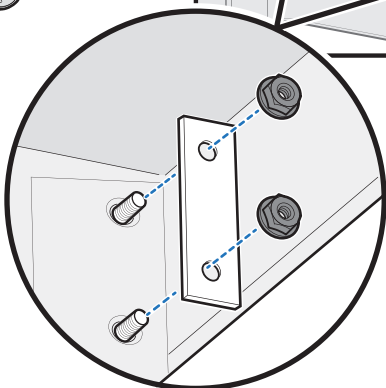
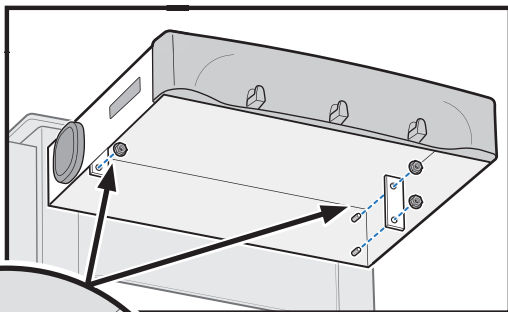
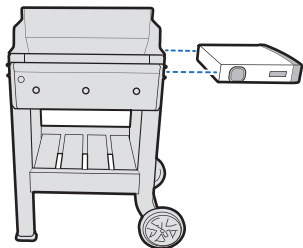


34

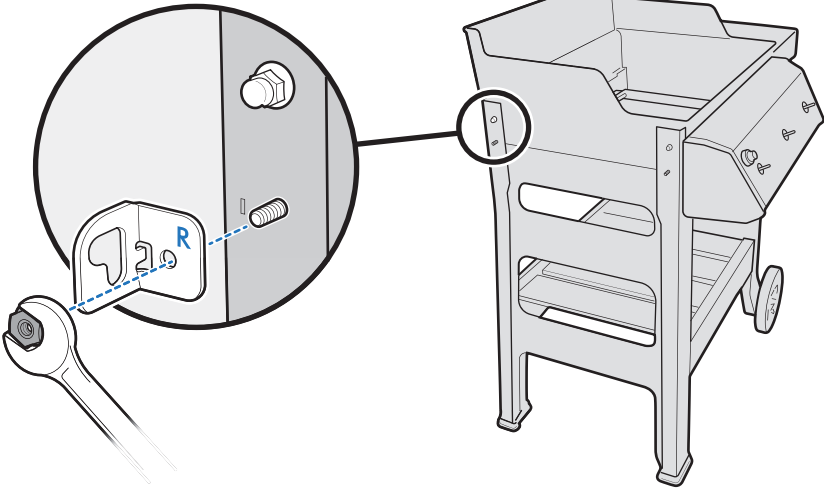
4-



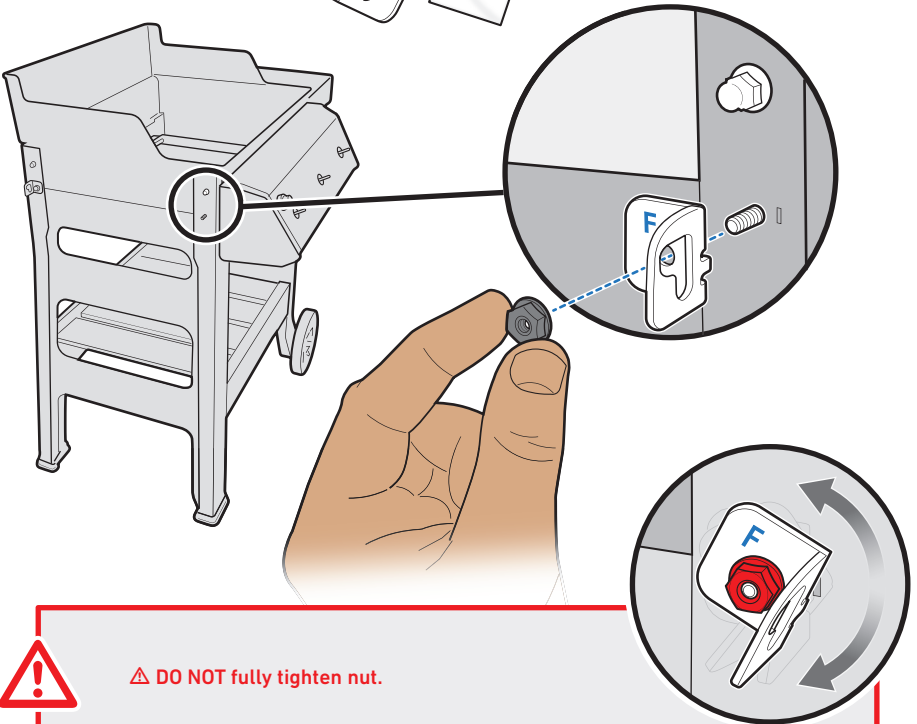
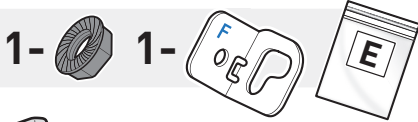
2-



35

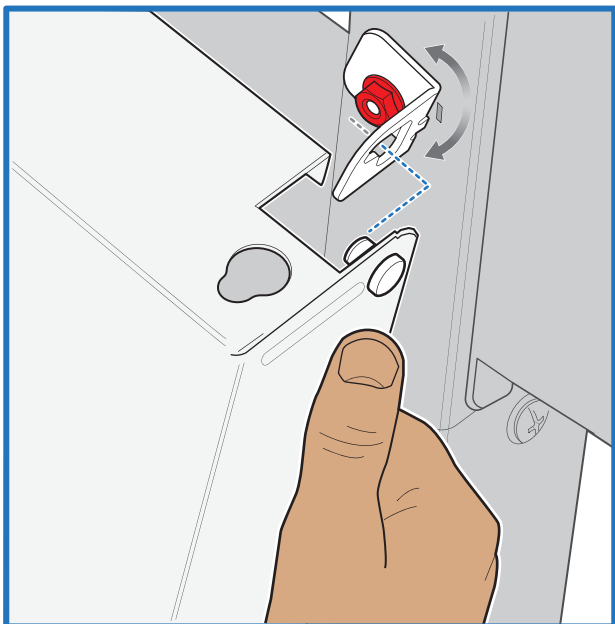
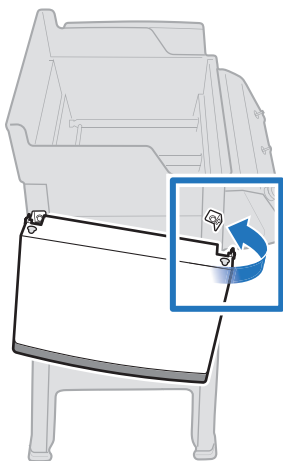
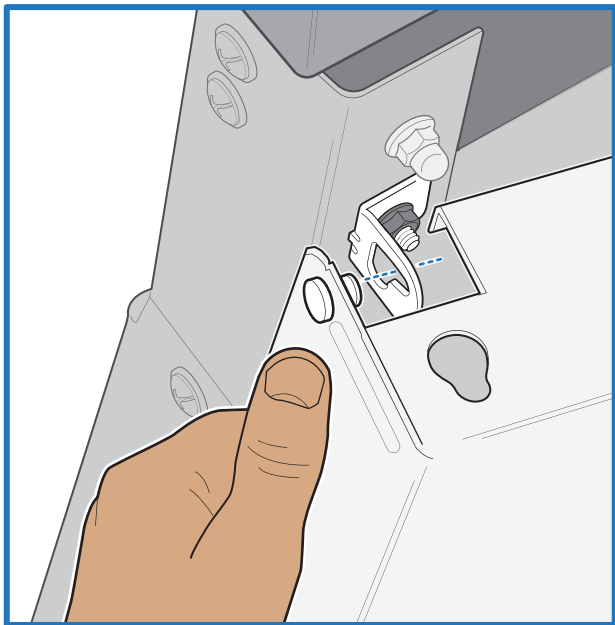
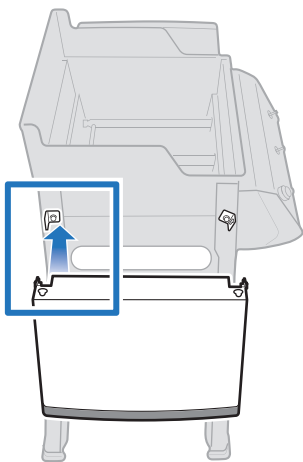


36



⚠ DO NOT fully tighten nut.

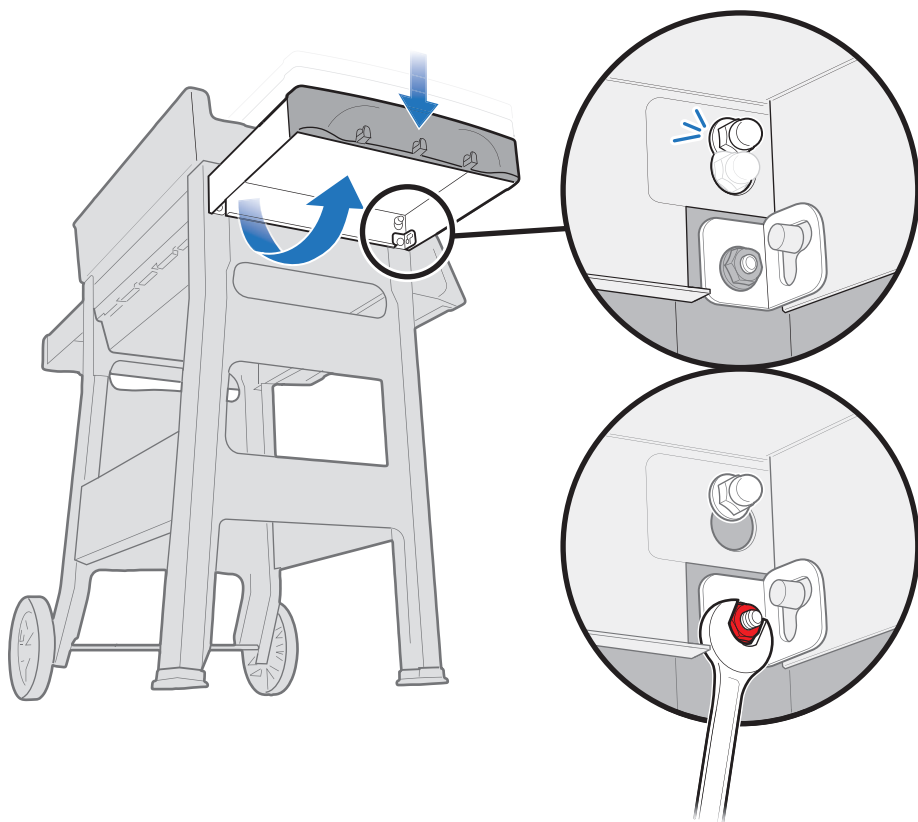
37



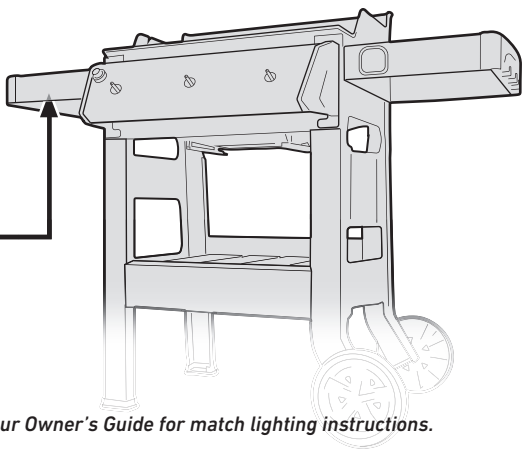
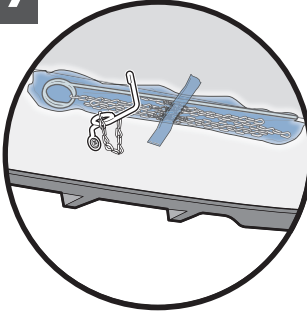
38



⚠ CAREFULLY raise side table, then fully tighten nut.



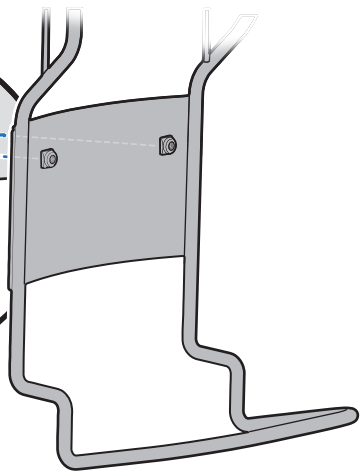
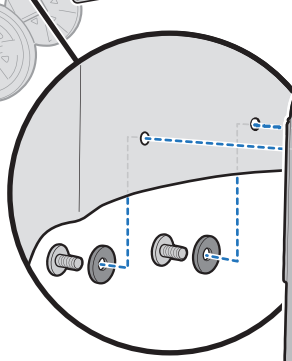
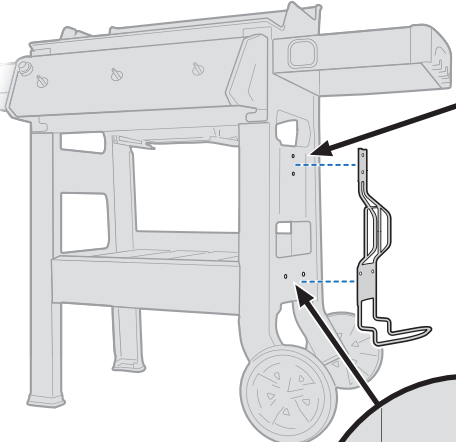
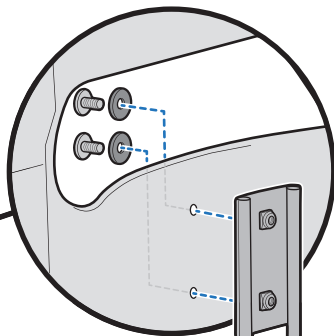
39



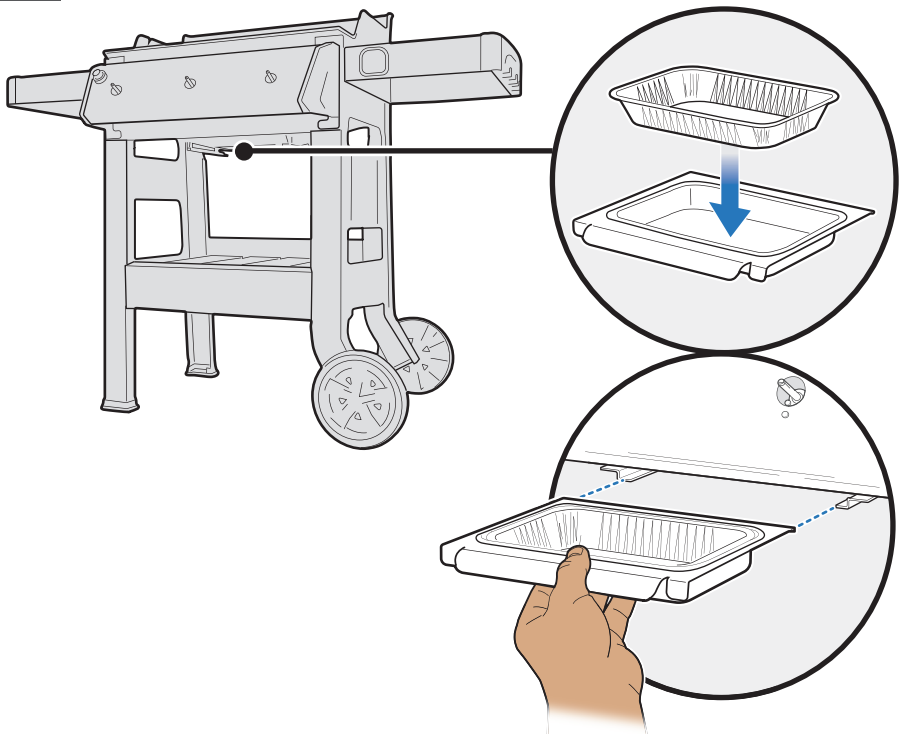
• Refer to the Troubleshooting section of your Owner's Guide for match lighting instructions.

40

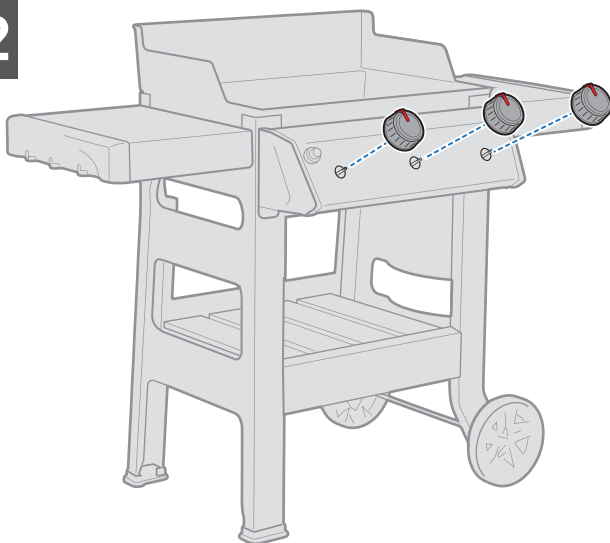
4- [screw icon] 4- [washer icon]



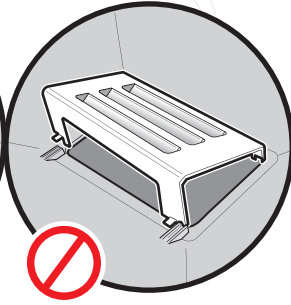
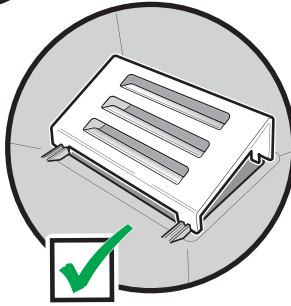
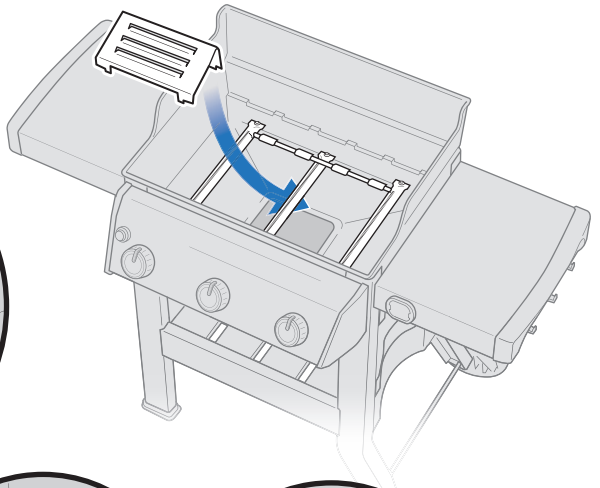
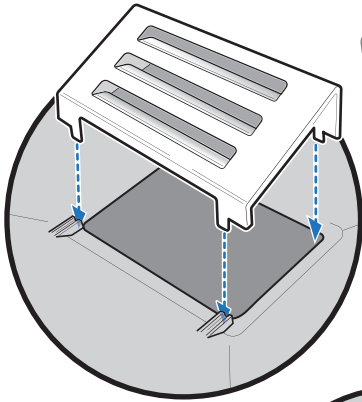
41



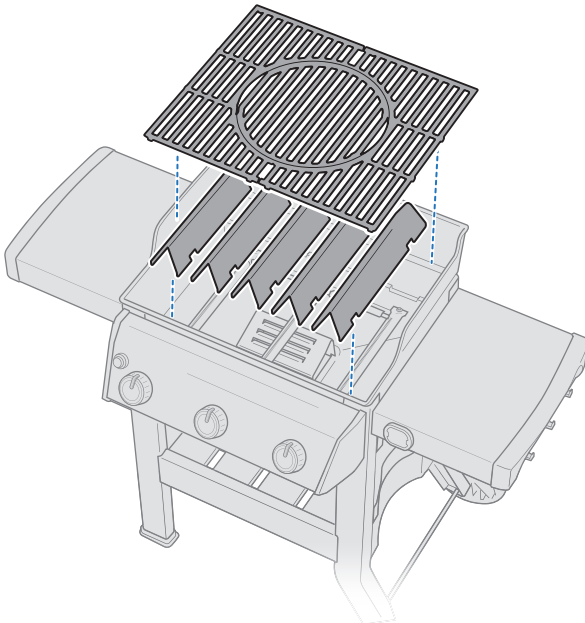
42



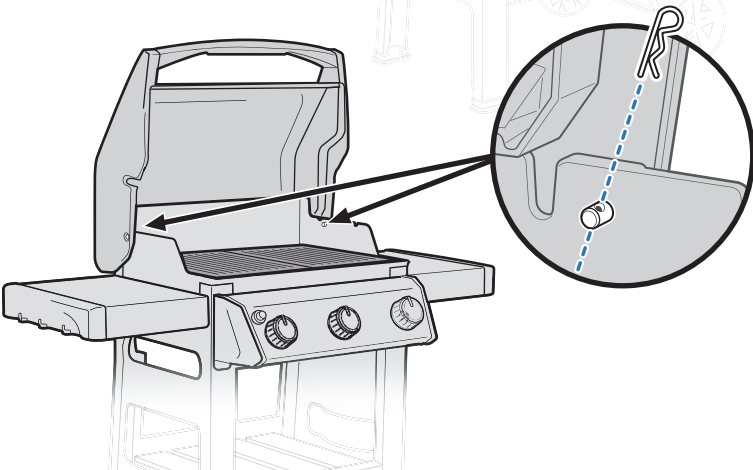
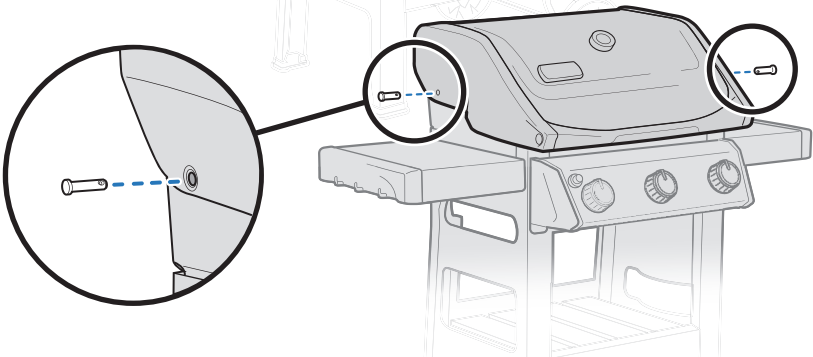
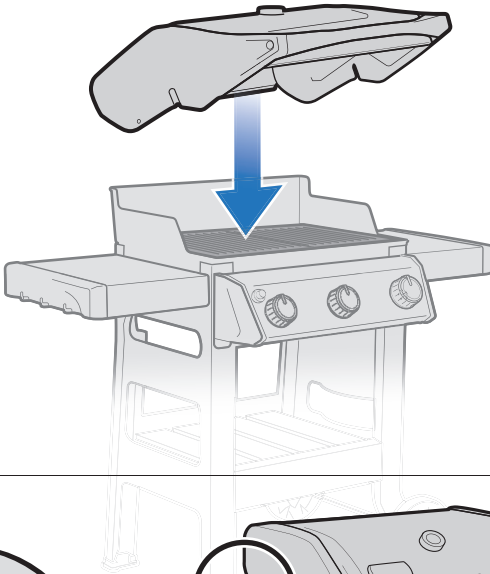
43



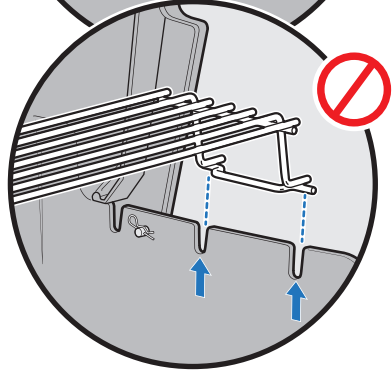
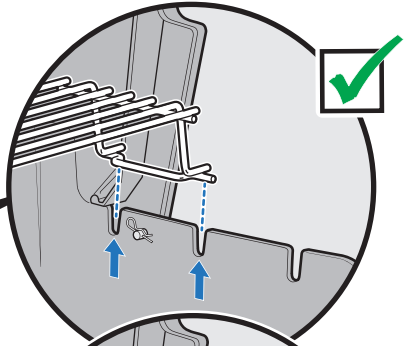
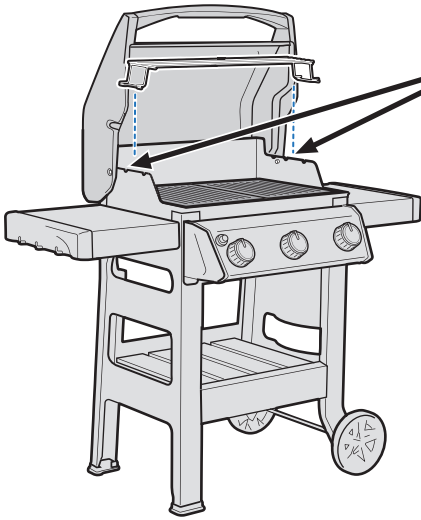
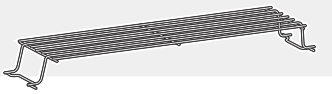
44



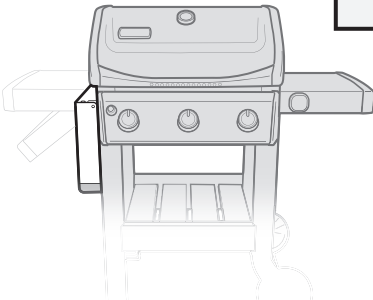
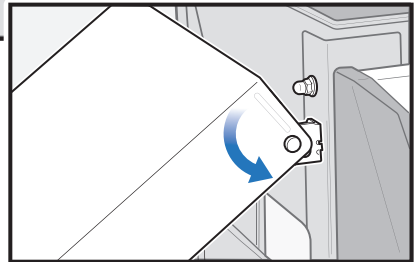
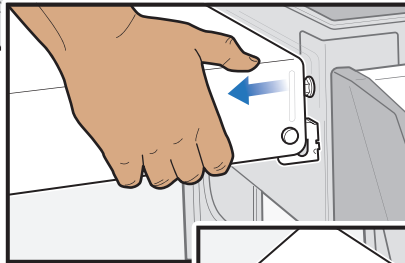
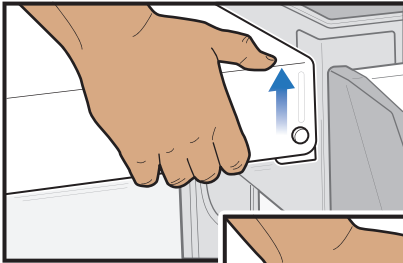
45



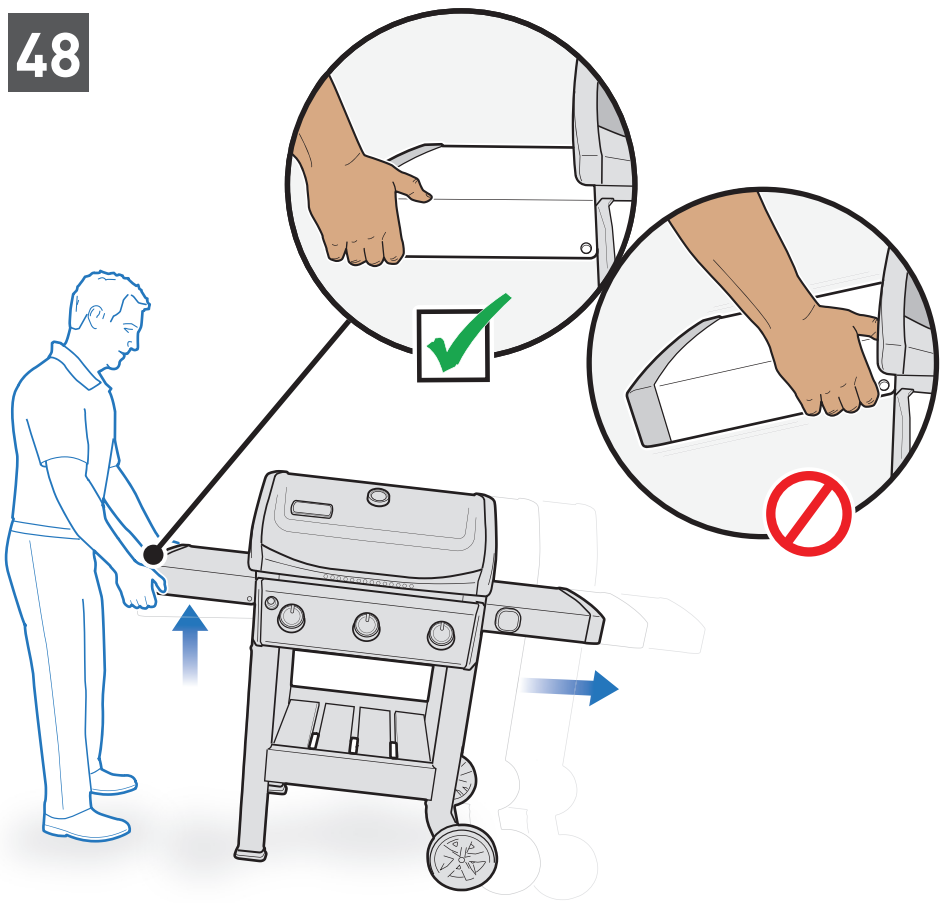
46



47



48



49

- Refer to the "Getting Started" section of your Owner's Guide for gas connections and leak checking.

Register Today.



PHONE



MOBILE



EMAIL



ONLINE

Apple and the Apple logo are trademarks of Apple Inc., registered in the U.S. and other countries. App Store is a service mark of Apple Inc. Android and Google Play are trademarks of Google Inc.