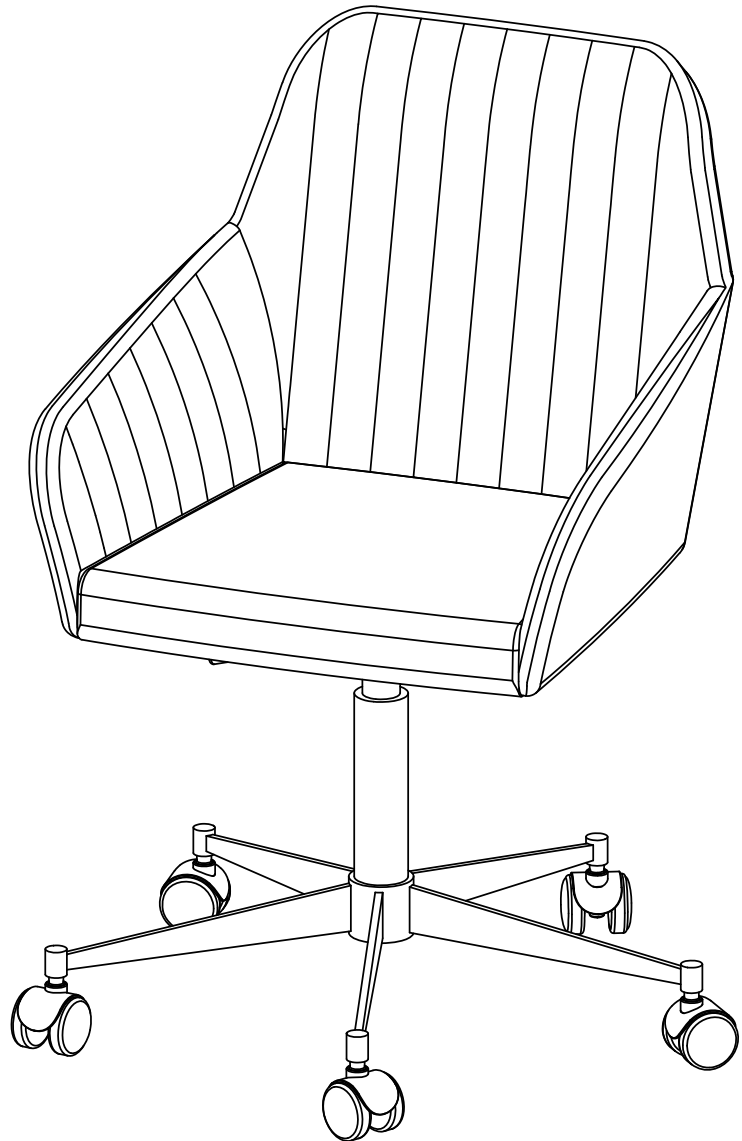




# Toronto Office Chair

Stock number: 816 33801



H85.5/95.5 W59 D61 cm

Thank you for purchasing the Toronto Office Chair. Please read the instructions and warnings carefully before use, to ensure safe and satisfactory operation of this product.

At John Lewis, we are committed to making as great products as possible.

From our in-house Design Team, to our buyers, we work together to bring great design to life.

Our expert product technologists work collaboratively with our buyers and suppliers to assure the legality, safety and quality of the product we sell.

We are all committed to designing and developing products to the highest industry standards.

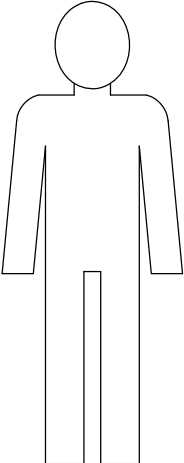
We hope you are happy with your product and welcome any feedback or comments you may have.

The John Lewis Team

## Tools required

**Time to assemble**  
20 minutes

**People to assemble**

A simple line-art icon of a person standing, used to indicate the number of people required for assembly.

# Important safety information

## Warnings

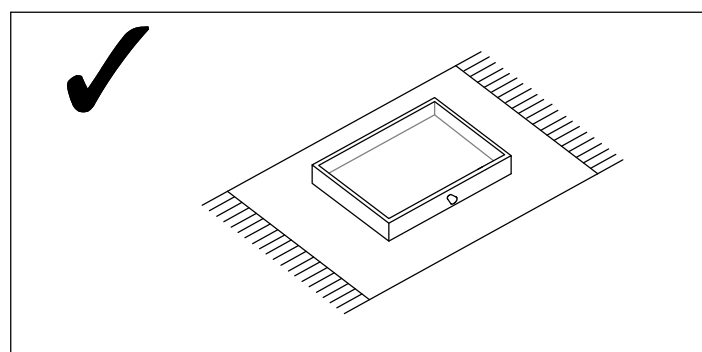
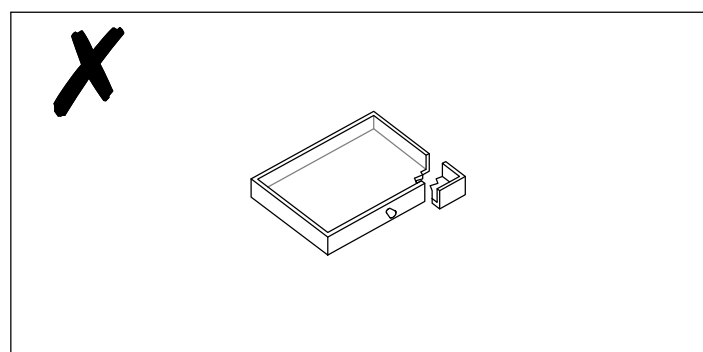
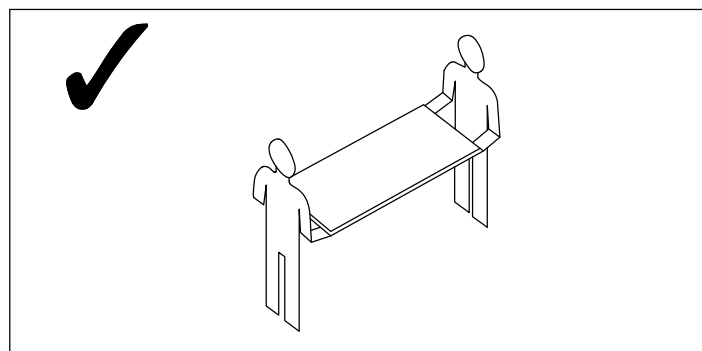
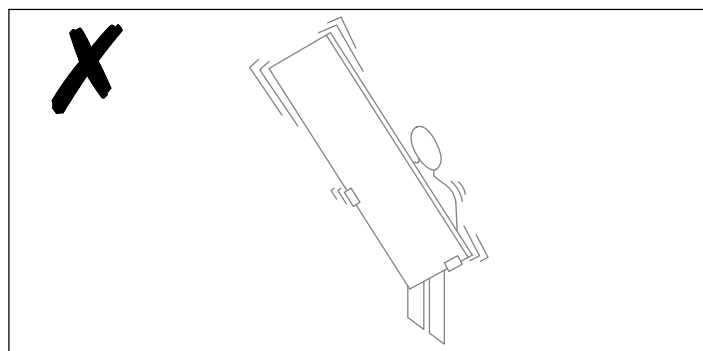
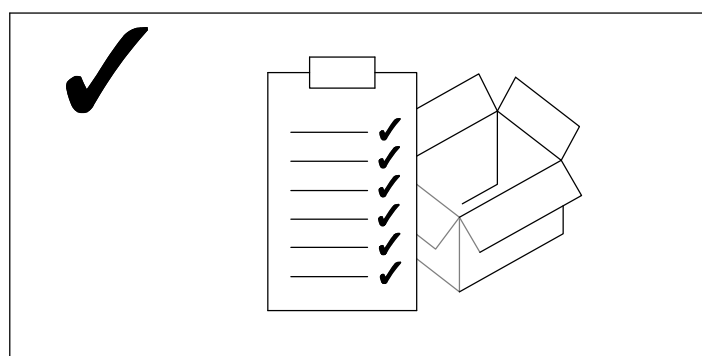
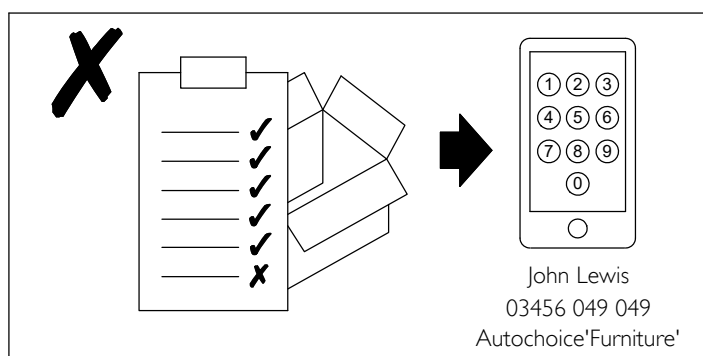
- ⚠ The product should only be used on firm, level ground.
- ⚠ Keep small parts out of reach of children.
- ⚠ Ensure the product is fully assembled as illustrated before use.

## Do's

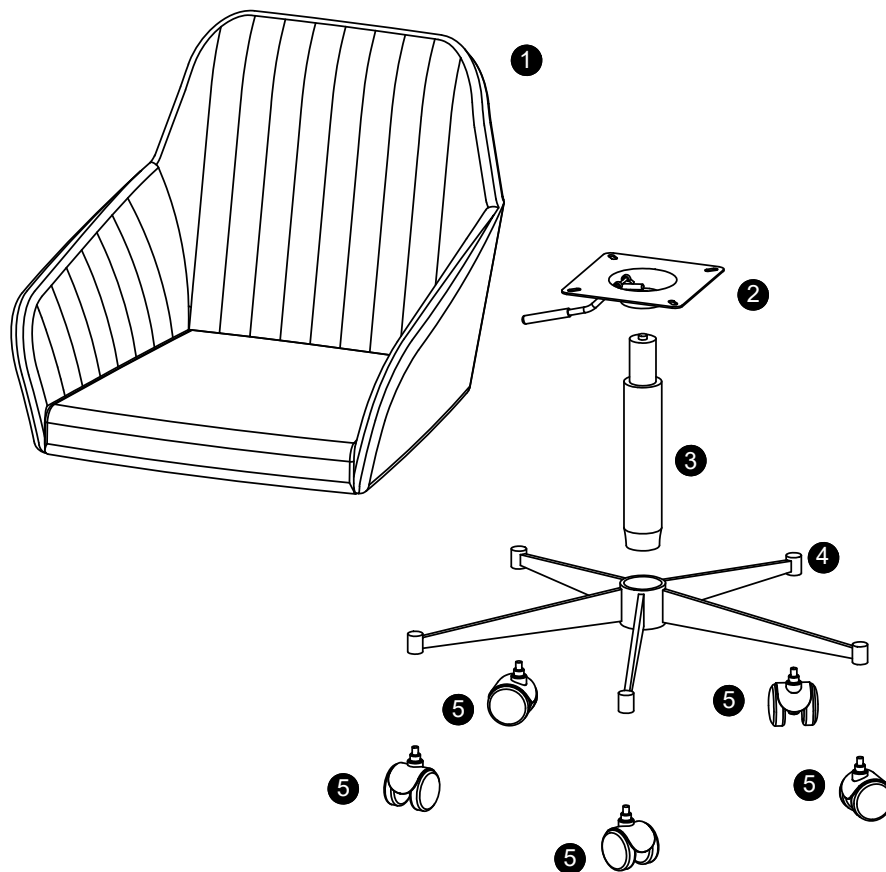
- ✓ Check the pack and make sure you have all the parts listed.
- ✓ Check all screws or bolts are tightened and inspect regularly.
- ✓ Make sure the legs remain in contact with the ground at all times.

## Don'ts

- ✗ Do not over tighten screws or bolts.
- ✗ Do not stand on the product.
- ✗ Do not use power tools to construct as overtightening and panel failure may occur.



# Your Chair

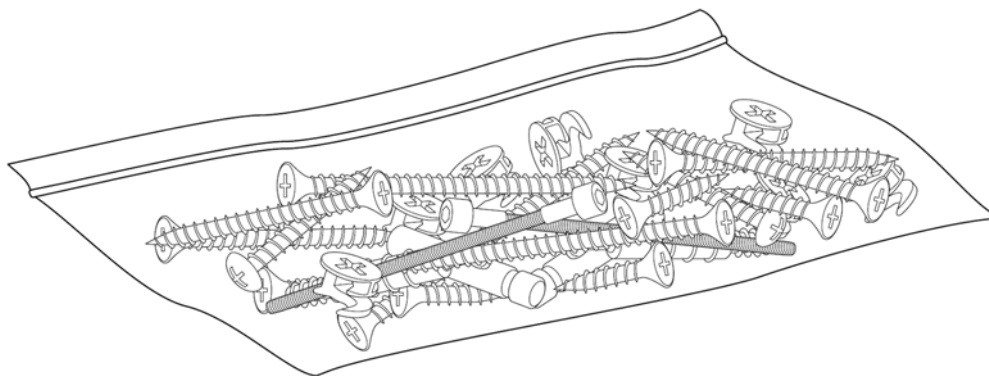


Ref	Description	Dimensions	Qty
①	Seat	580mm x 590mm x 460mm	1
②	Mechanism	170mm x 170mm x 50mm	1
③	Gas lift	405mm	1
④	Matal base	590mm x 570mm x 70mm	1
⑤	Castor	Ø 50mm	5

## Internal dimensions

Chair overall size: H85.5/95.5 W59 D61 cm

# Fixtures and fittings



Fixtures and fittings supply (actual size)

Ref	Description	Dimensions	Qty	mm
<b>A</b>	Bolts	6mm x 20mm	4	

Fixtures and fittings supply (not actual size)

Ref	Description	Dimensions	Qty	
<b>B</b>	Flat washers	18mm	4	
<b>C</b>	Allen key	5mm	1	

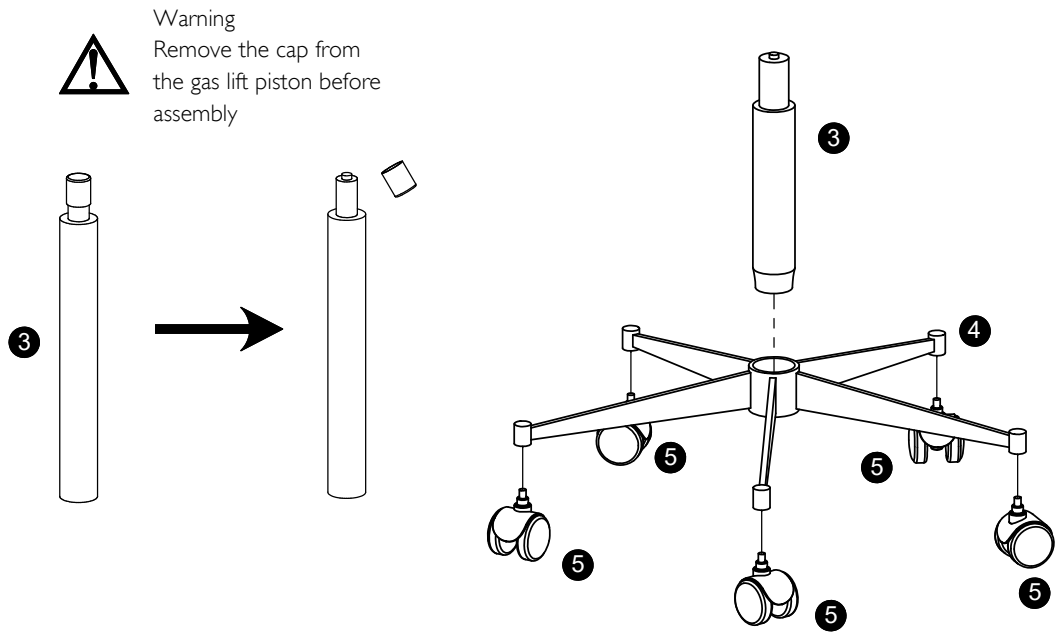
# Product assembly

Toronto Office Chair  
816 33801

## Step 1

Parts and fittings

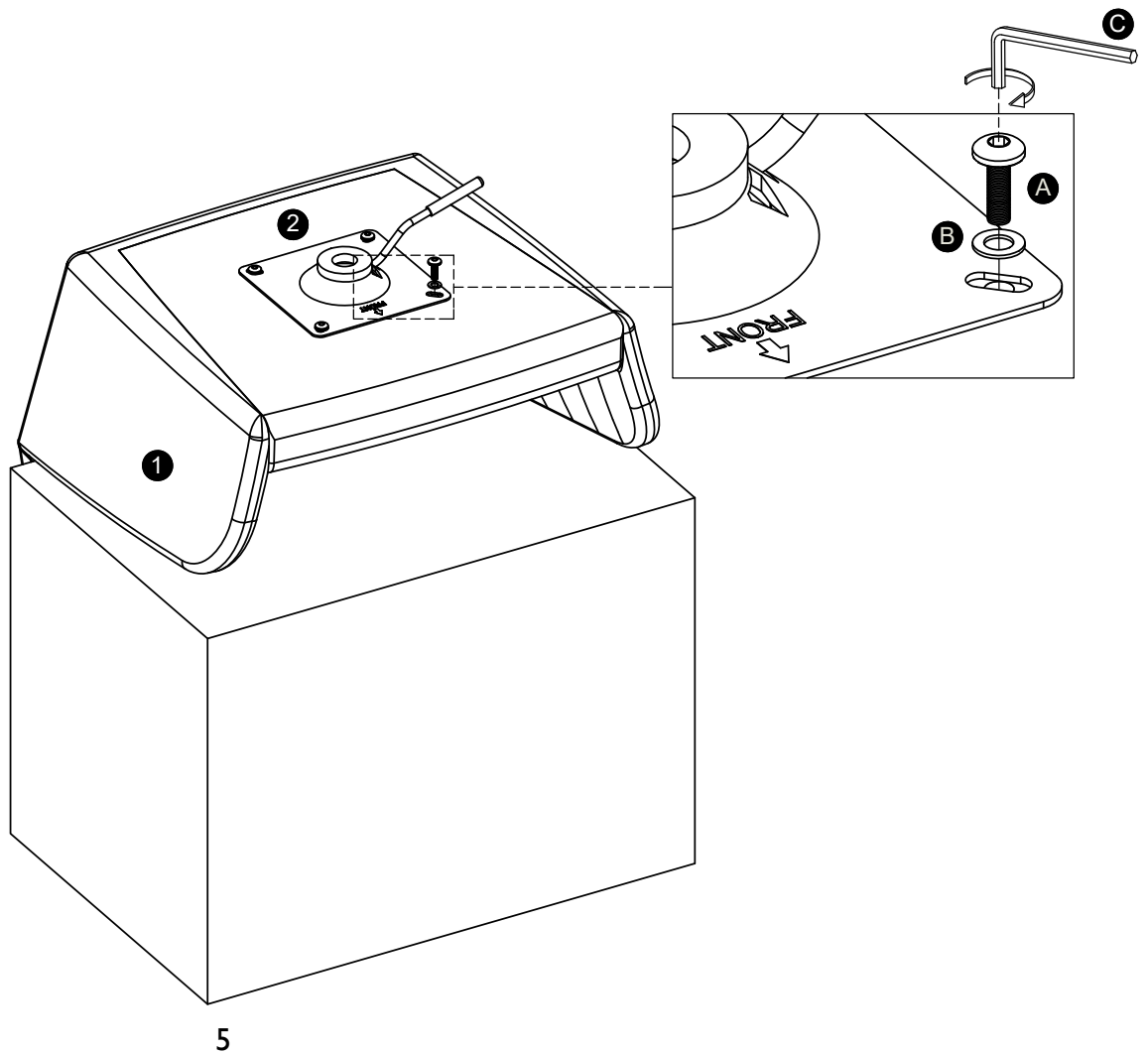
3 4 5



## Step 2

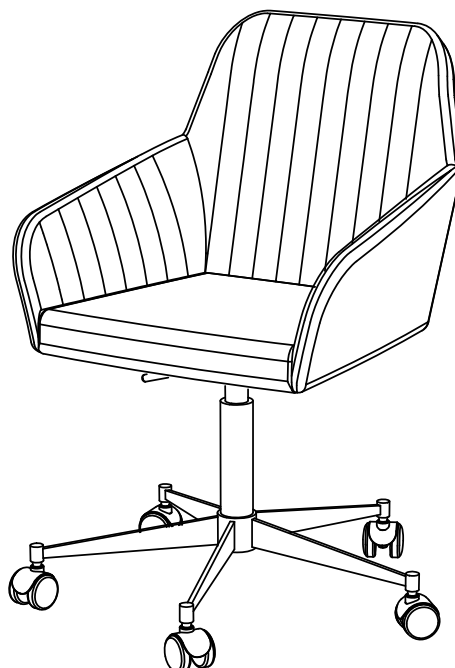
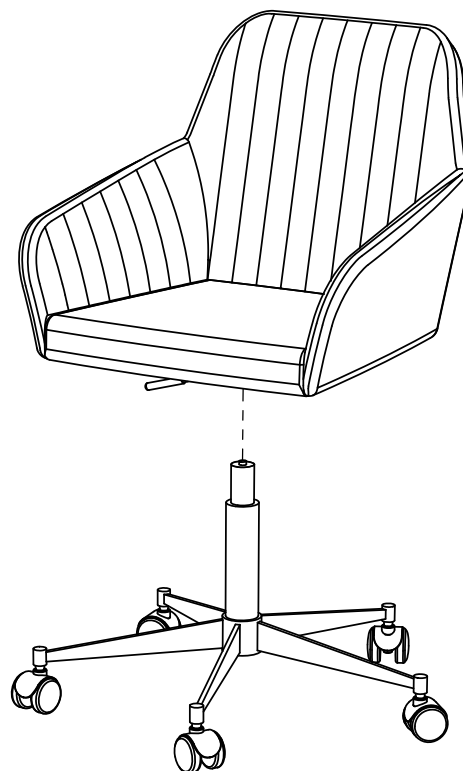
Parts and fittings

1 2 A B C



## Step 3 Final assembly

Parts and fittings

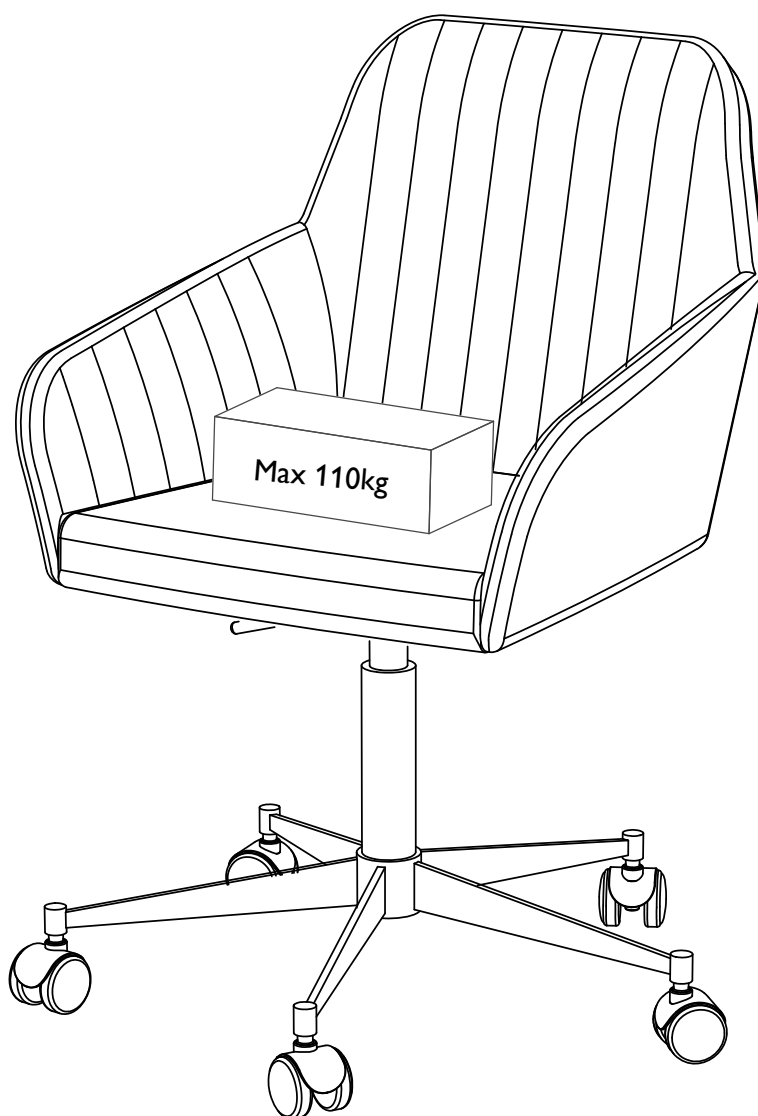
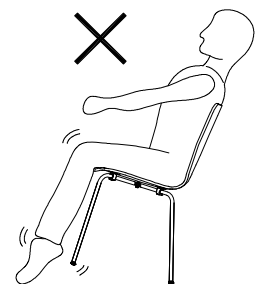


**Warning:**

Never tilt the chair. Ensure the chair is always placed firmly on the ground.

Regularly check leg attachment and retighten screws as necessary.

Do not use chair if legs are unstable. Please check fixings and tighten as required.





## Care guide

### Care and maintenance

#### Fabric upholstery

Protect your fabric from spillage, sunlight and heat. The fabric may be vacuumed and, if necessary, carefully spot-cleaned. Spot-cleaning agents should only be used after first testing on a less visible area of the fabric.

#### Safety Instructions

Never drag furniture when moving it, always lift it.

Periodically check all fixings to ensure none have come loose and re-tighten where necessary.

Please take care when handling or moving the furniture as careless handling may cause damage or injury.

Furniture can be dangerous if incorrectly installed. Assembly should be carried out by a competent person. No liability will be accepted for damage or injury caused by incorrectly installed or assembled furniture.

Always ensure the feet provided with this product are suitable for your flooring.

Periodically check the position of any foot caps/felt pads used to ensure your floors are protected.

Retain these instructions for future reference.

Your feedback is very important to us and we would love to hear your comments on your new furniture. Please visit our website to leave a review. Thank you.