

SLATTED WOOD TOILET SEAT USER GUIDE

Care instructions

After a few days check that the fixings are still tight. Periodically check all fixings to ensure none have come loose and re-tighten where necessary.

Never over rotate the seat open when it is removed from the WC as this can cause damage to the hinges.

Do not force down the seat ring or lid as this may compromise the performance of the soft close hinges.

Cleaning instruction

Clean surfaces with a soft damp cloth and mild soap solution. Do not scrub or scour. Do not use abrasive cleaning agents.

When using corrosive or chlorine-based cleaners for the toilet bowl, ensure that these do not come into contact with the seat. Keep the seat and cover in an upright position until all cleaner has been flushed away. Failure to do so can lead to discolouration of surfaces or rusting of metal parts which will not be covered by the guarantee.

Anti-microbial finish

a) An active substance has been incorporated in this product which helps prevent the growth of bacteria, reduce odour and promote hygiene. The active substance is Peppermint Oil.

b) This product incorporates biocidal products

c) This product demonstrates antimicrobial efficacy

Guarantee

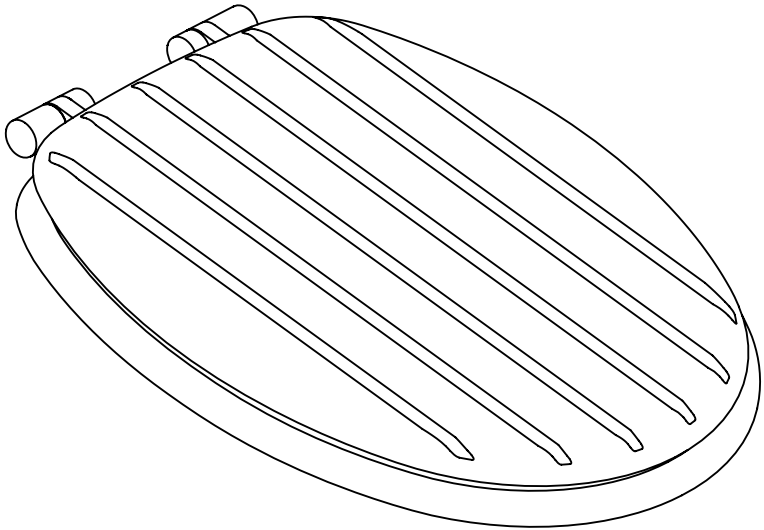
This seat is guaranteed for 5 years; this is in addition to your statutory rights.

When claiming:

- Proof of purchase is required.
- We will either replace the faulty part or the complete unit as appropriate.
- We reserve the right to use alternative, similar materials, where the original is no longer available.
- We will replace it with the same model or, if this is no longer available, substitute an equivalent specification or value.

This guarantee does not cover:

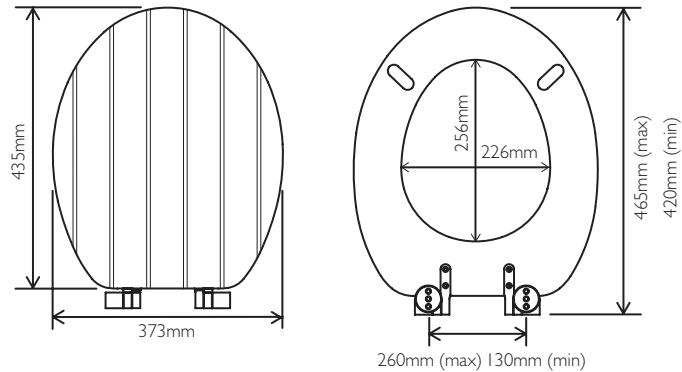
- If the timber has been subject to adverse moisture.
- If there is evidence of product abuse, misuse or use in a non-domestic environment.
- If the product has not been properly maintained in accordance with care and cleaning instructions.
- If the product has been exported outside of Great Britain and Northern Ireland.



Getting started

Thank you for purchasing this product. Please read the instructions carefully before use to ensure safe and satisfactory operation of this product. It is recommended that this product should only be installed by persons competent in DIY.

If you are not the end user, please pass these instructions on to the owner of the product. Before removing the seat from the protective film, please check that it is suitable using the measurements on the diagram to below.



To install this toilet seat you will need fixing pack (provided) and a phillips head screw driver. Do not use a battery driver or drill to assemble the toilet seat to the WC.

Warnings!

Keep fittings away from children - small parts are a choking hazard
Do not stand on the lid or ring of your toilet seat.

Parts list

Please check the pack contents before installing this product. A full checklist of components is given in this leaflet. If any components are missing, please contact us on 03456 050 144.

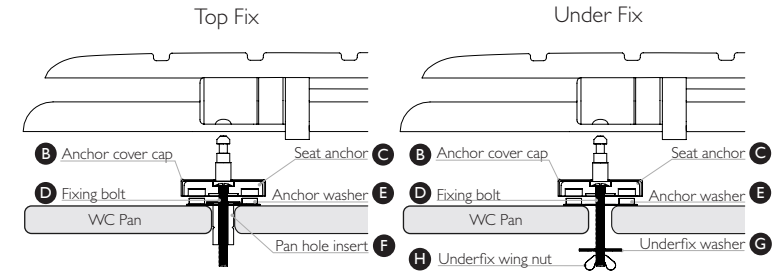
| Ref. | Parts | Name | Qty |
|----------|-------|--------------------|-----|
| A | | Toilet seat | 1 |
| B | | Anchor cover cap | 2 |
| C | | Seat anchor | 2 |
| D | | Fixing bolt | 2 |
| E | | Seat anchor washer | 2 |

| Ref. | Parts | Name | Qty |
|----------|-------|---------------------|-----|
| F | | Pan hole insert | 2 |
| G | | Underfix washer | 2 |
| H | | Underfix wing nut | 2 |
| I | | Secure fix template | 1 |

Assembly

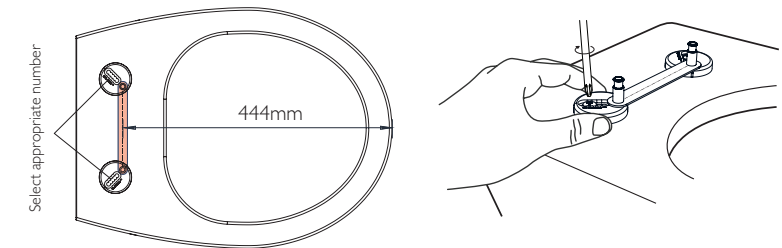
This seat can be installed using a top fix or under fix option.

Place the inserts into the holes in the toilet pan. Bolt the anchors to the pan using the fixings in the configuration shown below. Once the seat is in the desired position, following the secure fix instructions below, tighten up the fixing bolt.



Seat fitting

Place the template (I) over the anchor pins, selecting the appropriate hole numbers on the anchors so that the 444mm dimension from the front of the pan to the centre line of the template is met. Once the 444mm dimension is met and the template is parallel to the back edge, insert the bolts then tighten using a screwdriver.



Once secured in place, remeasure the 444mm to check and remove the template. Attach the cover cap over each anchor and then click the seat in place.

