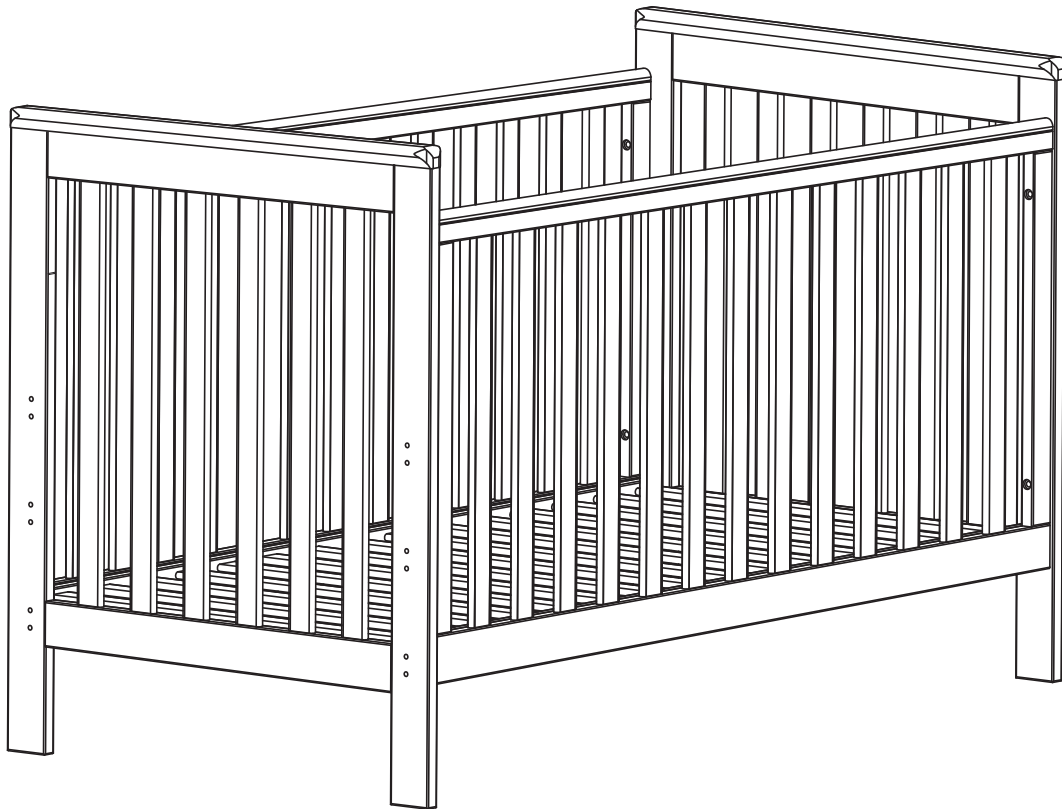


JOHN
LEWIS
& PARTNERS

Charlotte cot bed

Stock number: 32400907 / 32400908



IMPORTANT RETAIN FOR FUTURE REFERENCE READ CAREFULLY

H93.5 W 146 D 76cm

Thank you for purchasing this Charlotte cotbed/toddler bed. Please read the instructions and warnings carefully before use to ensure safe and satisfactory operation of this product.

Your child's safety is your responsibility. If you have a query with this product or require replacement parts, please contact your nearest John Lewis department store.

Lay out the parts on a soft level surface and compare to the part/fixings checklist on page 3. Do not discard any packaging until you are sure that you have all the parts.

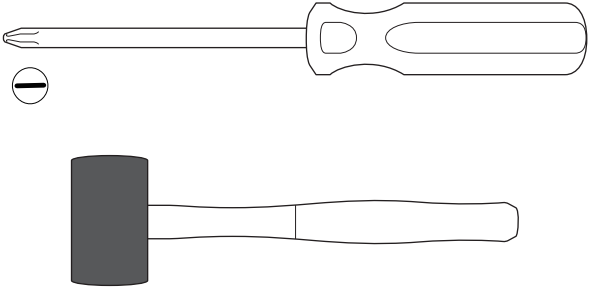
Keep children clear during assembly as pack contains small parts which may present a choking hazard.

Recommended mattress: 70 x 140cm

This product complies with BS EN 716 - 1: 2008 and BS 8509:2008

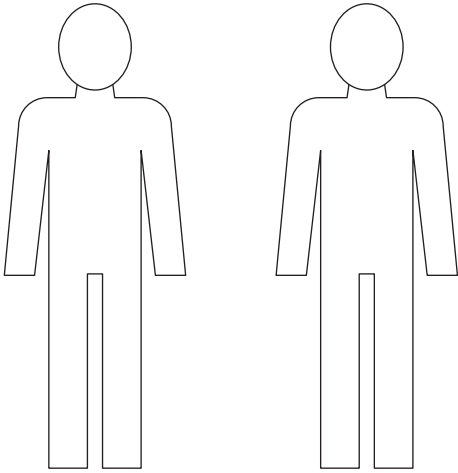
The John Lewis Team

Tools required



Time to assemble
1 Hours

People to assemble



Important Safety information

Warnings

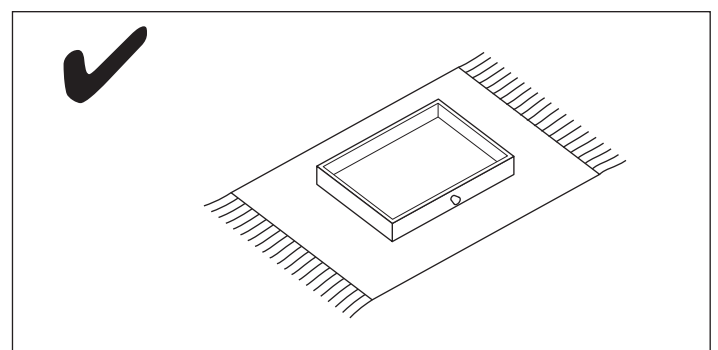
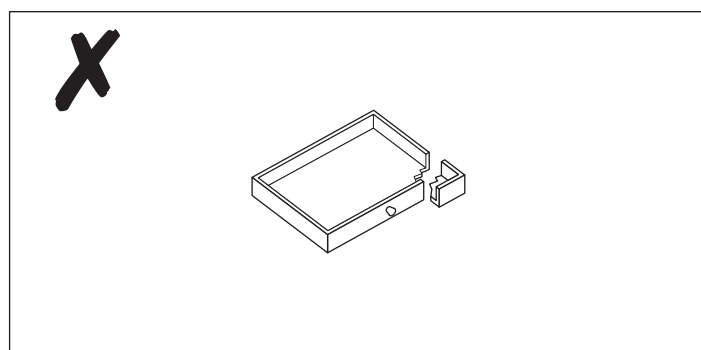
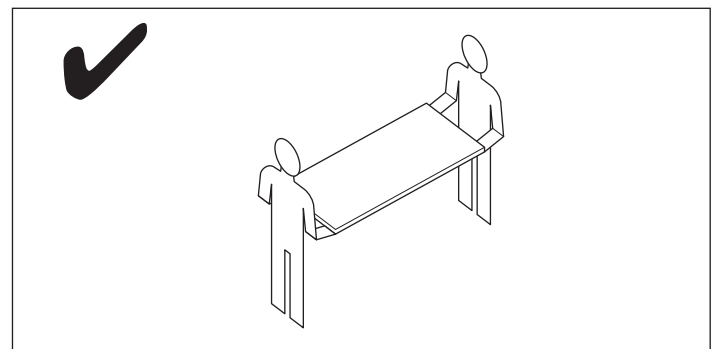
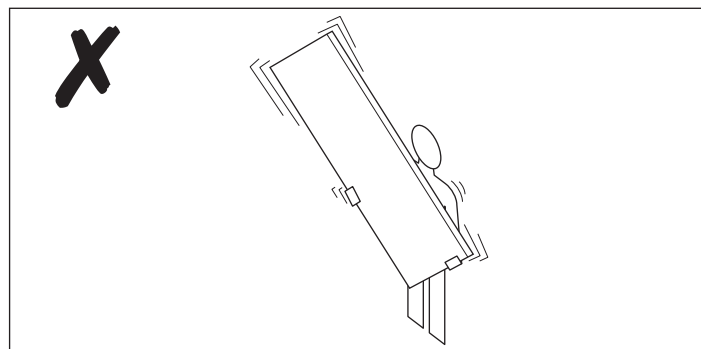
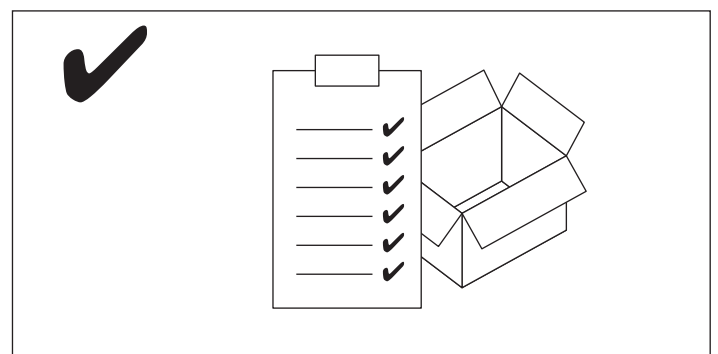
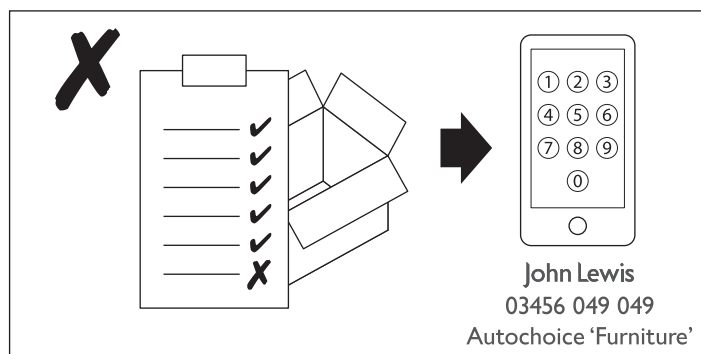
- ⚠ The product should only be used on firm, level ground.
- ⚠ Keep small parts out of reach of children.
- ⚠ Ensure the product is fully assembled as illustrated before use.

Do's

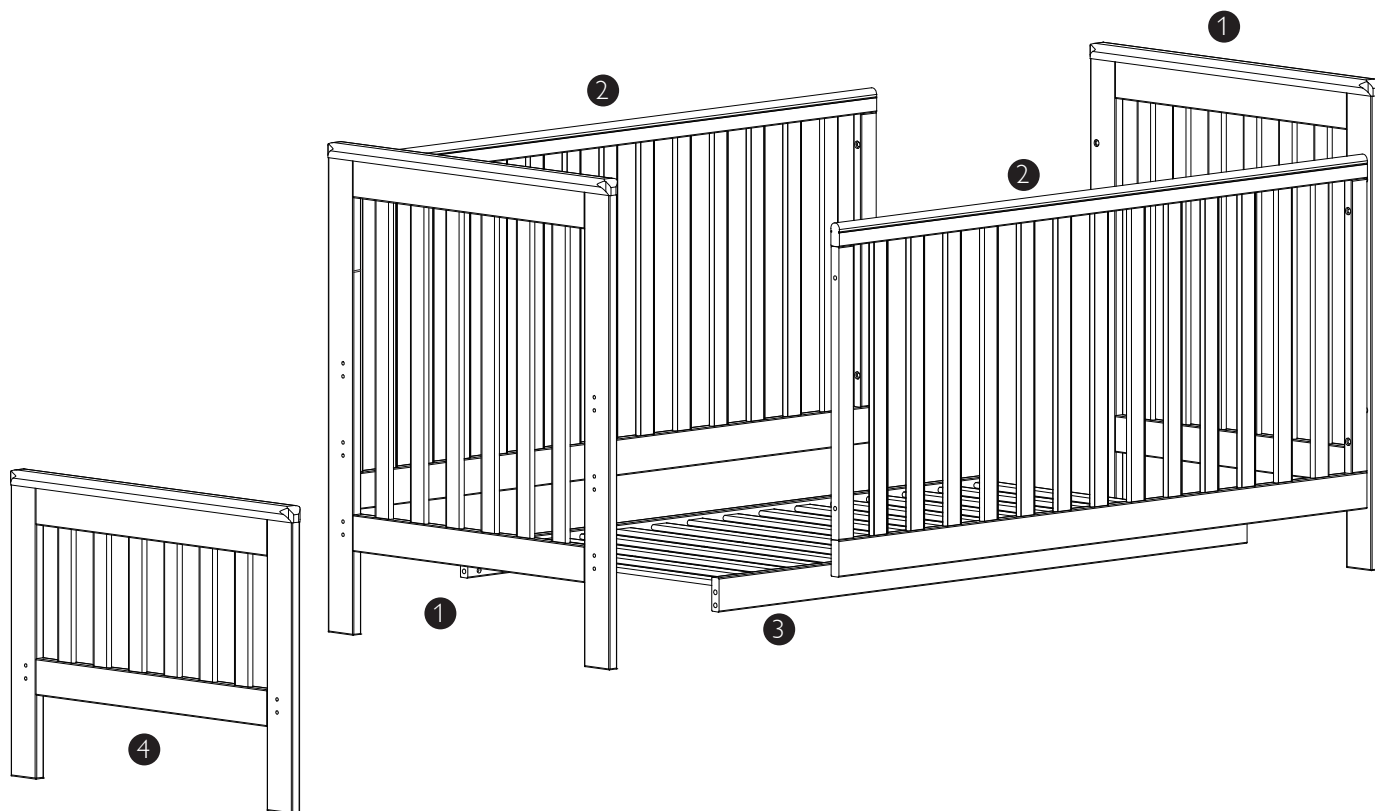
- ✓ Check the pack and make sure you have all the parts listed.
- ✓ Check all screws or bolts are tightened and inspect regularly.
- ✓ Make sure the legs remain in contact with the ground at all times.

Don'ts

- ✗ Do not over tighten screws or bolts.
- ✗ Do not stand on the product.
- ✗ Do not use power tools to construct as overtightening and panel failure may occur.



Your cot bed



Ref	Description	Dimensions	Qty
①	Ends	935mm x 760mm x 40mm	2
②	Cot side	675mm x 1400mm x 23mm	2
③	Base	65mm x 1400mm x 700mm	1
④	Toddler bed end	585mm x 760mm x 40mm	1

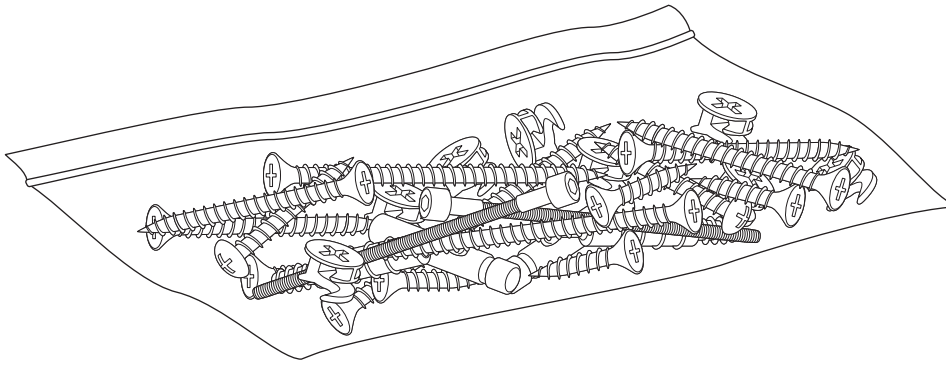
Internal dimensions

Stock number: 32400907 / 32400908

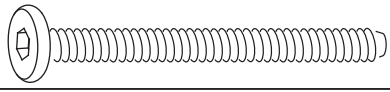
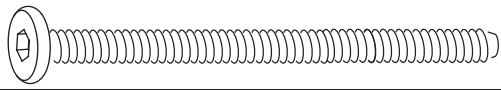

Cot bed overall size: H 93.5 W146 D76cm

Cot bed internal size: H70.2 W141 D71.5cm


Fixtures and fittings



Fixtures and fittings
supplied (actual size)

Ref	Description	Dimensions	Qty	mm
A	Allen head screw	6mm x 50mm	8	
B	Allen head screw	6mm x 65mm	8	
C	Barrel nut	10mm x 17mm	8	

Fixtures and fittings
supplied (not actual size)

Ref	Description	Dimensions	Qty	
D	Allen Key M4	M4 x 106mm	1	

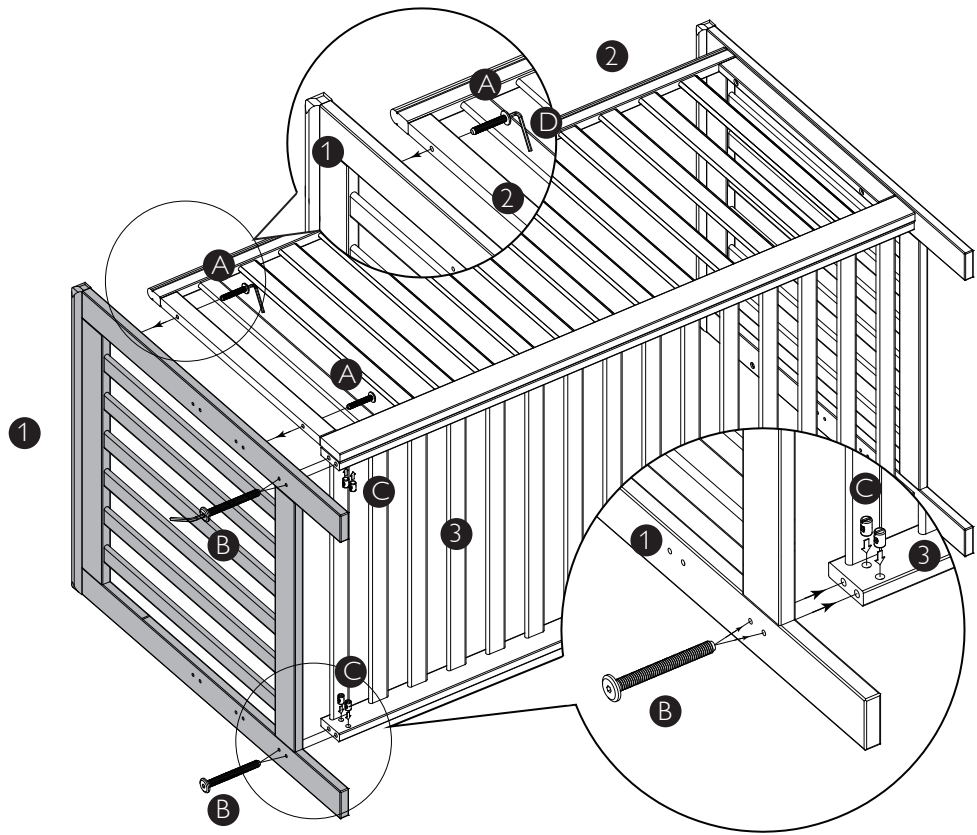
Product assembly

Charlotte cot bed

Step 3

Parts, fittings and tools

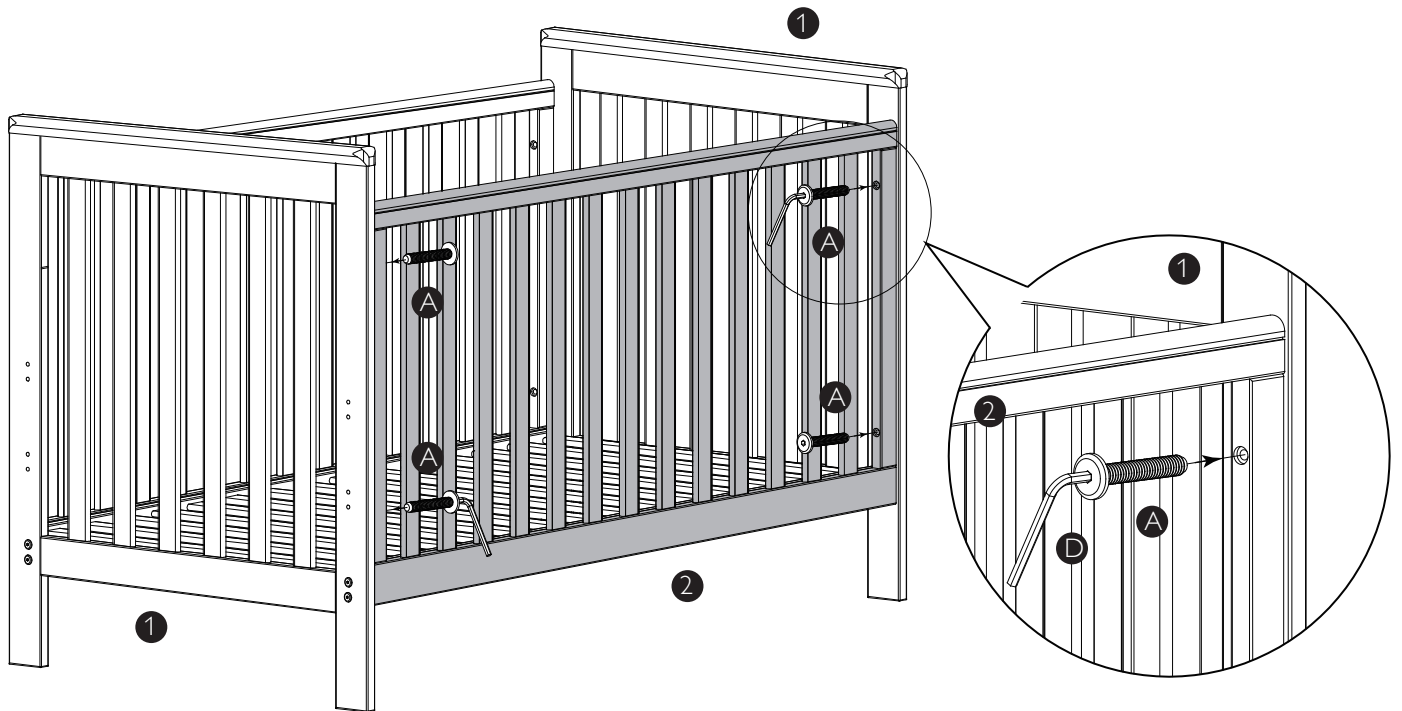
- A B C D
- 1 2 3



Step 4

Parts, fittings and tools

- A D 2



This product is not designed to be dismantled for storage or transportation after assembly.

Care and maintenance

Your furniture may be cleaned by wiping with a damp cloth and drying with a soft clean cloth.

Do not use abrasives, bleach, alcohol or ammonia-based household polishes.

Take care when handling or moving the furniture. Careless handling may cause damage.

Safety notes

Furniture can be dangerous if incorrectly installed. Assembly should be carried out by a competent person.

Keep children clear during assembly as pack contains small parts which may present a choking hazard.

Warning: Be aware of the risks of open fires and other such sources of strong heat, such as electric bar fires, gas fires, etc. in the near vicinity of the cot.

Warning: Do not use the cot if any part is broken, torn or missing and use only spare parts approved by the manufacturer.

Warning: Do not leave anything in the cot or place the cot close to another product, which could provide a foothold or present a danger of suffocation or strangulation, e.g. strings, blind/curtain cords, etc.

Warning: Do not use more than one mattress in the cot.

The lowest base position is the safest and should be used as soon as your baby is old enough to sit up.

The thickness of the mattress chosen must not reduce the internal depth (from the top of the mattress surface to the top of the side) to less than 500mm with the base in its lowest position or 200mm with the base in the highest position. See step 2 which shows the position of a mark on the cot 200mm down from the top of the cot side. The top of your mattress should never be above this mark.

The mattress should be no more than 30mm shorter or narrower than the internal length or width of the cotbed. Suitable for use with a mattress of 1400mm in length, 700mm in width and a maximum thickness of 100mm.

All assembly fixings should always be tightened properly. Periodically check all fixings to ensure none have come loose, and that there is no risk of clothing or parts of the body becoming snagged or trapped.

To prevent falls, when the child is able to climb out of the cot, the cot should no longer be used for that child.

Do not allow your child to jump on the cotbed. This may result in damage to the furniture and/or injury to your child.

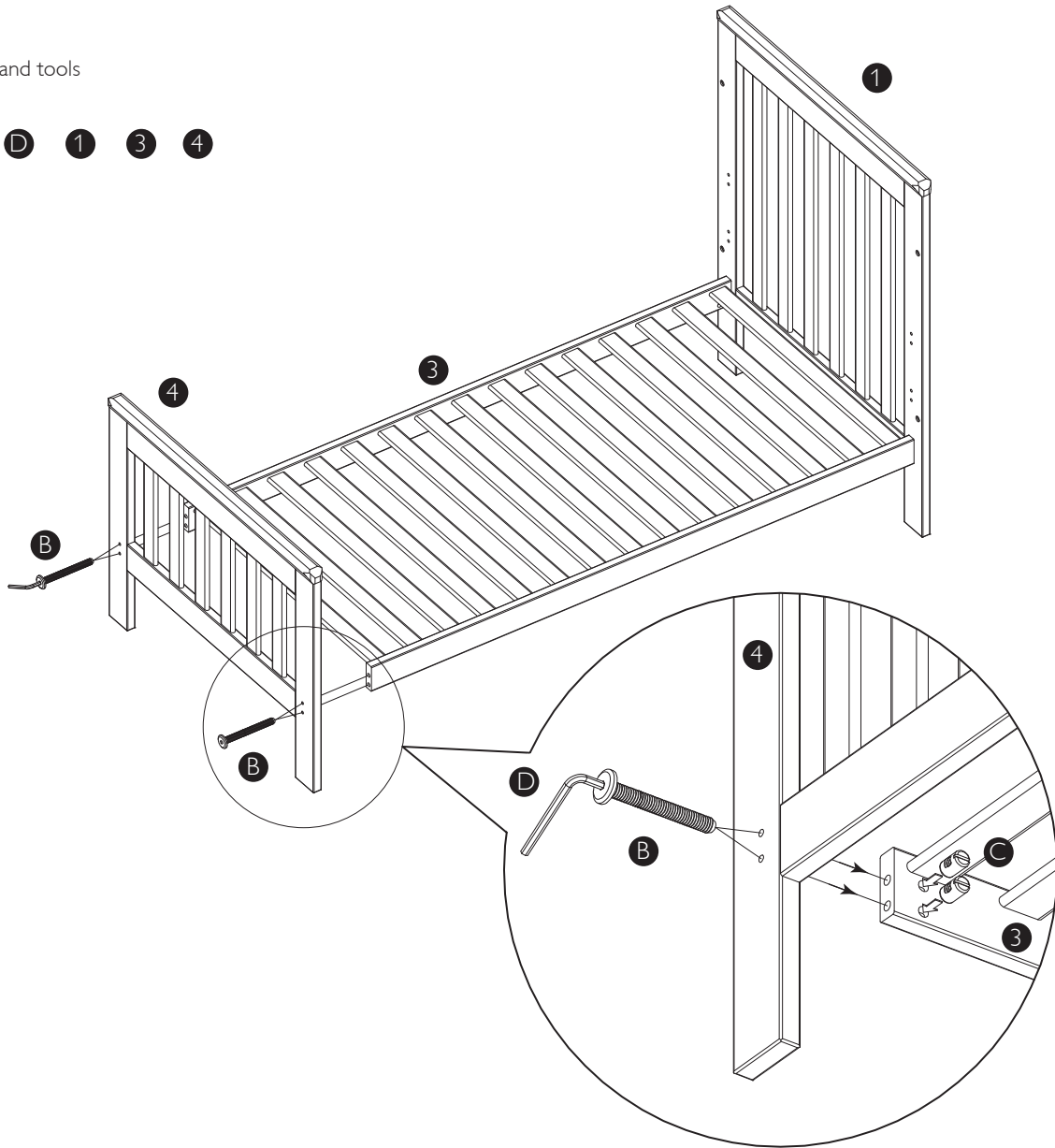
If you leave the child unattended in the cot, always make sure that the movable side is closed.

Product assembly

Charlotte Toddler bed

Parts, fittings and tools

B **C** **D** **1** **3** **4**



Taking care to push adjoining panels together, fully tighten all bolts.

Care and maintenance

Your furniture may be cleaned by wiping with a damp cloth and drying with a soft clean cloth.

Do not use abrasives, bleach, alcohol or ammonia-based household polishes.

Take care when handling or moving the furniture. Careless handling may cause damage.

Safety notes

For ages 18 months to 4 years.

Warning: Do not place this child's bed near heat sources, windows and other furniture.

Warning: Do not use this child's bed if any part is broken, torn or missing.

The mattress should be no more than 30mm shorter or narrower than the internal length or width of the bed. Suitable for use with a mattress of 1400mm in length, 700mm in width and a maximum thickness of 100mm.

Furniture can be dangerous if incorrectly installed. Assembly should be carried out by a competent person.

All assembly fixings should always be tightened properly. Periodically check all fixings to ensure none have come loose, and that there is no risk of clothing or parts of the body becoming snagged or trapped.

Do not allow your child to jump on the bed. This may result in damage to the furniture and/or injury to your child.

Children are likely to play, bounce, jump & climb on beds, therefore the child's bed should not be placed too close to other furniture or windows, and should be placed either tight to any wall or have a gap of 300mm between the wall and the side of the bed.

Keep children clear during assembly as pack contains small parts which may present a choking hazard.

Retain this information leaflet for future reference.