

L50.5 W50.5 H4.2cm

Thank you for purchasing the Parasol Granite Slabs X4. Please read the instructions and warnings carefully before use, to ensure safe and satisfactory operation of this product.

At John Lewis and partners, we are committed to making great products possible.

From our in-house Design Team to our Buyers, we work together to bring great design to life.

Our expert Product Technologists work collaboratively with our buyers and suppliers to assure the legality, safety, and quality of the product we sell.

We are all committed to designing and developing products to the highest industry standards.

We hope you are happy with your product and welcome any feedback or comments you may have.

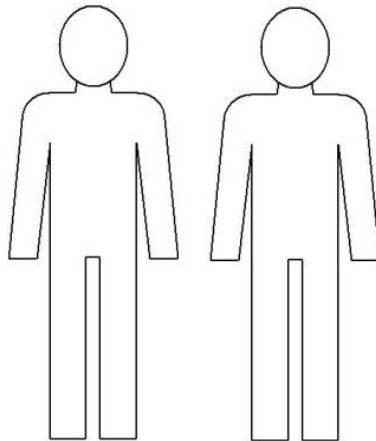
The John Lewis and Partners team.

No Tools Required

Time to assemble

5 minutes

People required to assemble



Important safety information

Warnings

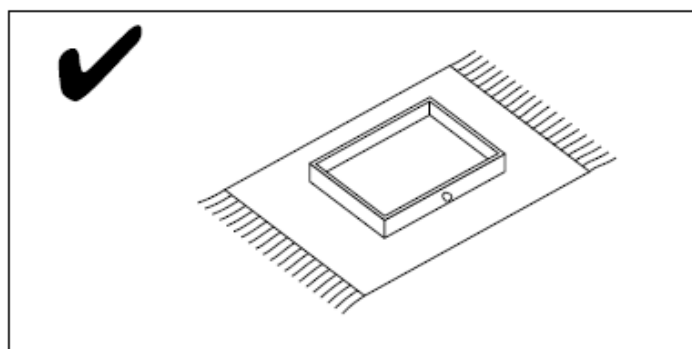
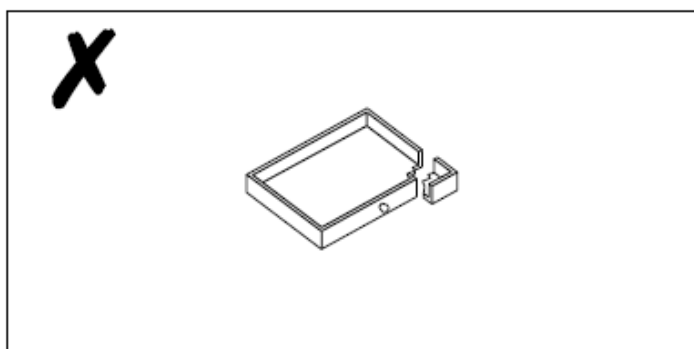
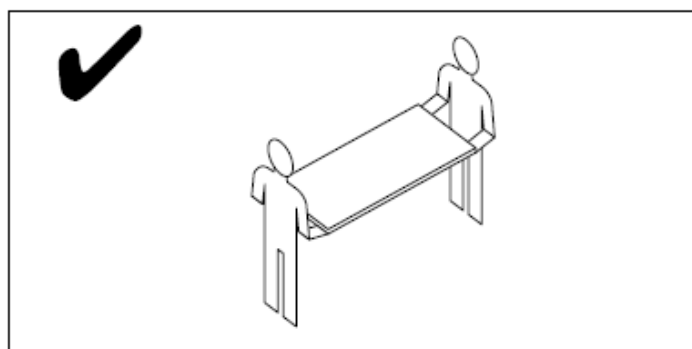
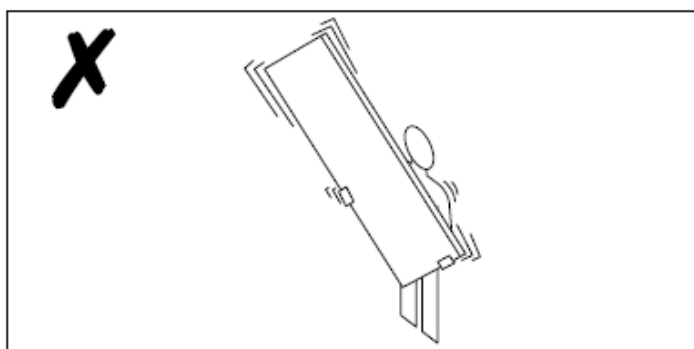
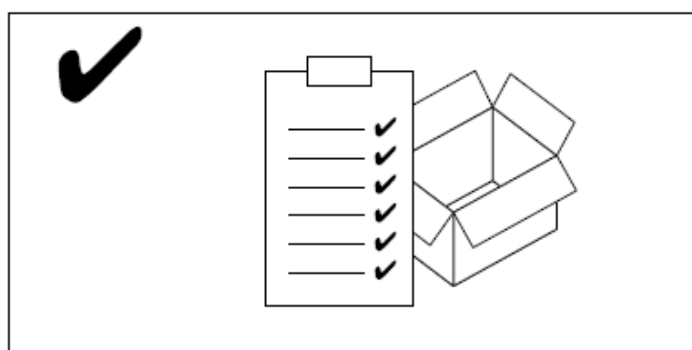
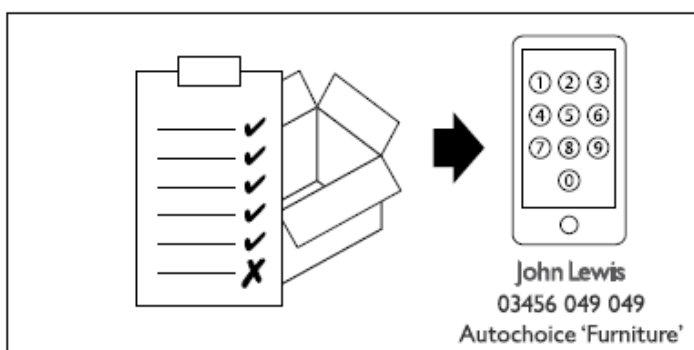
- △The product is HEAVY; it should only be assembled near point of use.
- △Keep small parts out of reach of children.
- △Ensure the product is fully assembled as illustrated before use.

Do's

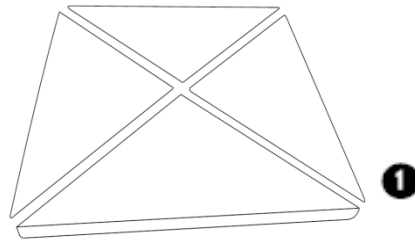
- ✓ Check the pack and make sure you have all the parts listed.

Don'ts

- ✗ Do not stand on the product.



Your Parasol base



Ref	Description	Dimensions	Qty
①	Parasol granite slabs		4

Internal dimensions

Stock number: 82015312

Parasol base overall size: L50.5 W50.5 H4.2cm

Fixtures and fittings

None.

Product assembly

Parasol Granite Slabs X4

82015312

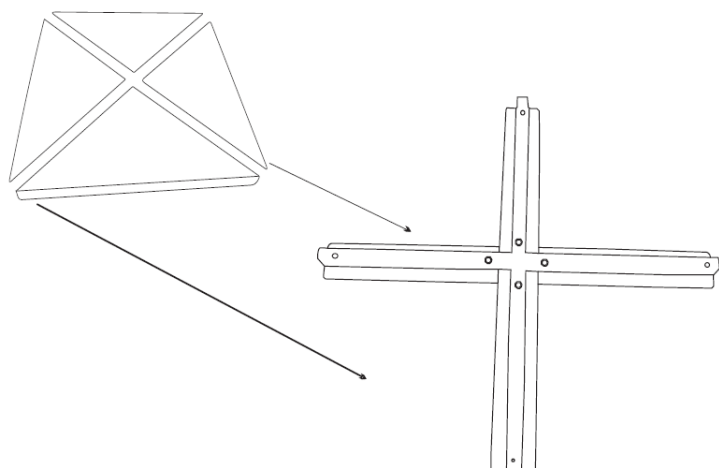
Step1

Parts, fittings and tools

①

Place the triangular granite base pieces on the cross bar of the parasol, ensuring each one is level and secure.

①



Care guide

Care and maintenance

Do not drop or scrape anything against the surface of the base as this will damage the finish.

Regularly clean with mild soapy water to maintain surface finish.

Do not drop the base as this may cause the product to shatter.

Safety instructions

This parasol base has been designed for domestic use only.

Parasol bases can be dangerous if incorrectly installed or assembled, it should be carried out by a competent person.

No liability will be accepted for damage or injury caused by incorrectly installed or assembled parasol bases.

Parasols should not be used in high winds or during inclement weather.

This parasol base must always be filled to the top.

Never drag a parasol when moving it, always lift it.

Periodically check all fixings to ensure none have come loose and re-tighten where necessary.

Ensure that the parasol base is always on a solid and level surface at all times.

Retain these instructions for future reference.

Your feedback is very important to us and we would love to hear your comments on your new furniture. Please visit our website to leave a review. Thank you.