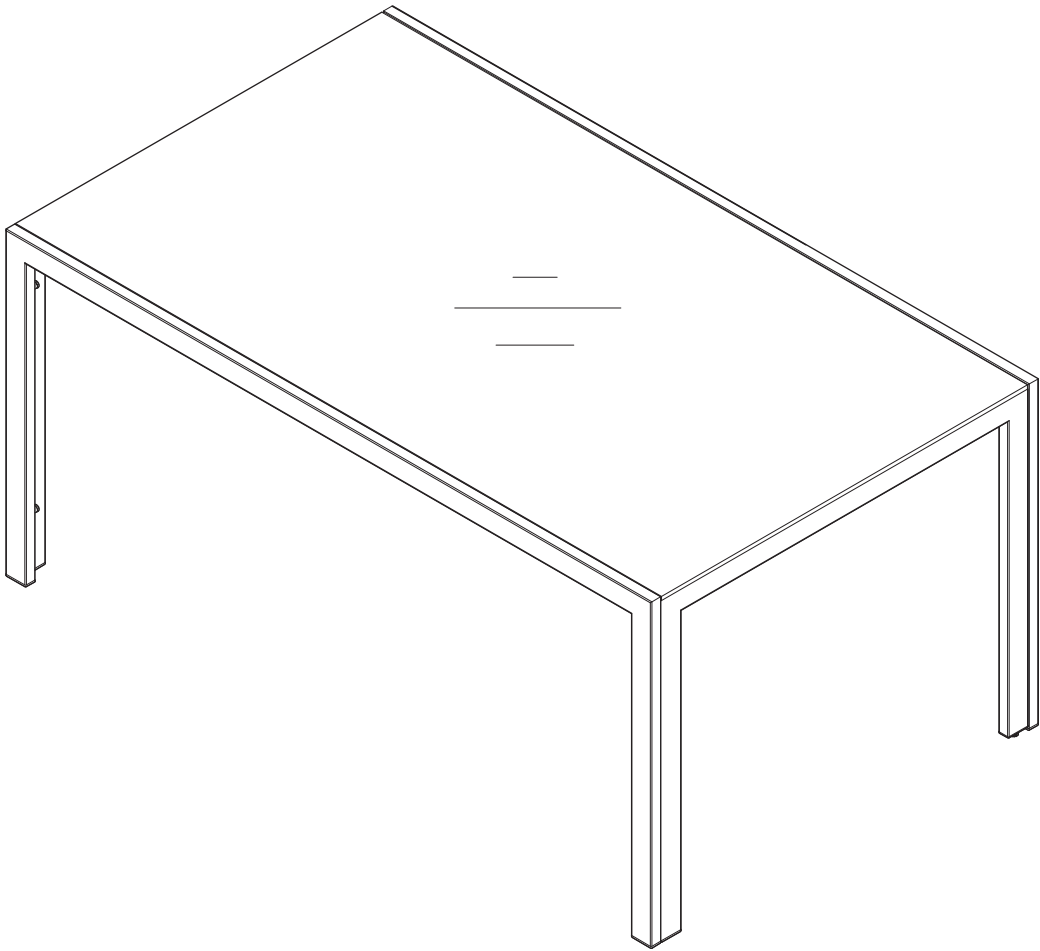




Miami 8 seater dining table

Stock number: 82009808



H75 W95 D215cm

Thank you for purchasing this Miami 8 seater dining table.

Please read the instructions and warnings carefully before use, to ensure safe and satisfactory operation of this product.

At John Lewis, we are committed to making great products possible.

From our outdoor furniture design Team, to our Buyers, we work together to bring great design to life.


Our expert Product Technologists work collaboratively with our buyers and suppliers to assure the legality, safety and quality of the product we sell.

We are all committed to designing and developing products to the highest industry standards.

We hope you are happy with your product and welcome any feedback or comments you may have.

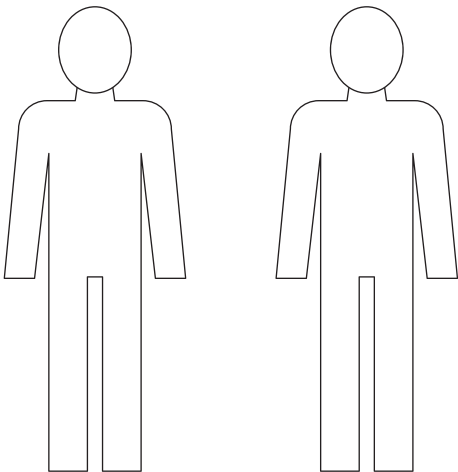
The John Lewis Team

Tools required



Time to assemble
25 Mins

People to assemble



Important safety information

Warnings

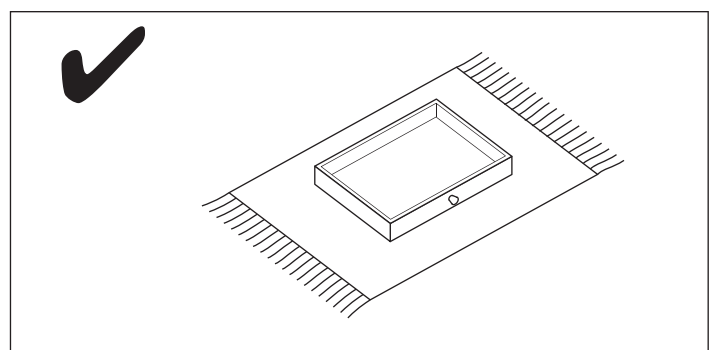
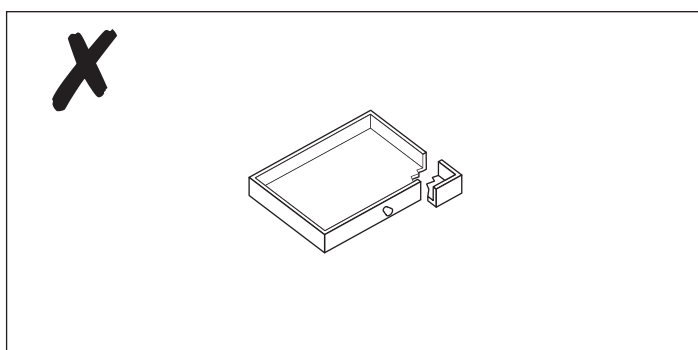
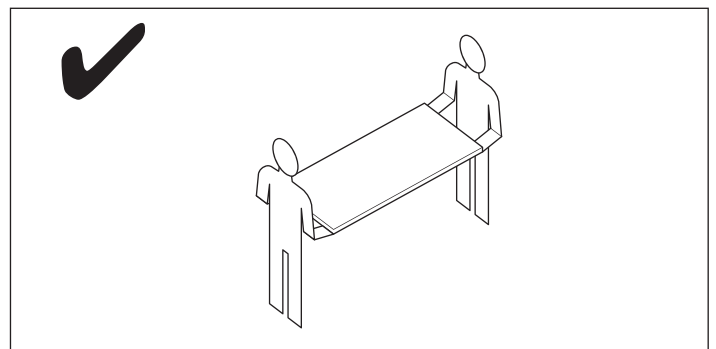
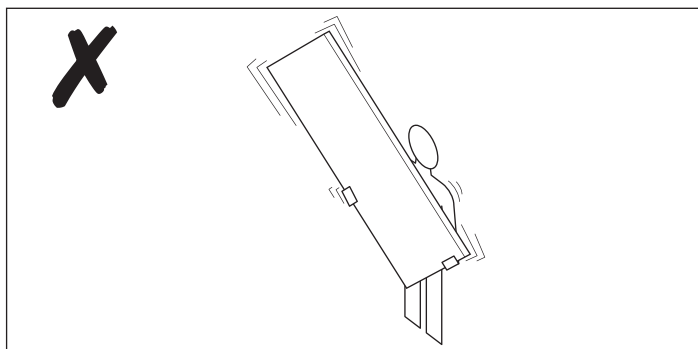
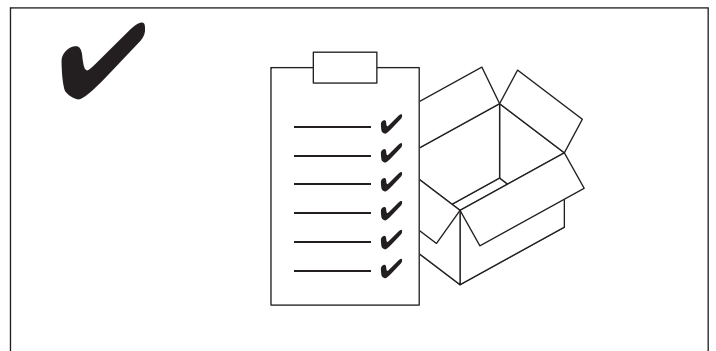
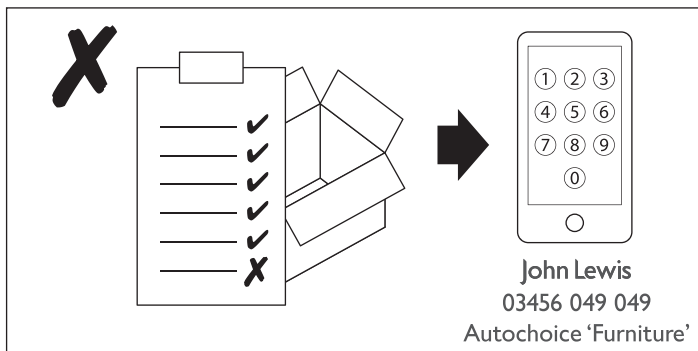
- ⚠ The product should only be used on firm, level ground.
- ⚠ Keep small parts out of reach of children.
- ⚠ Ensure the product is fully assembled as illustrated before use.

Do's

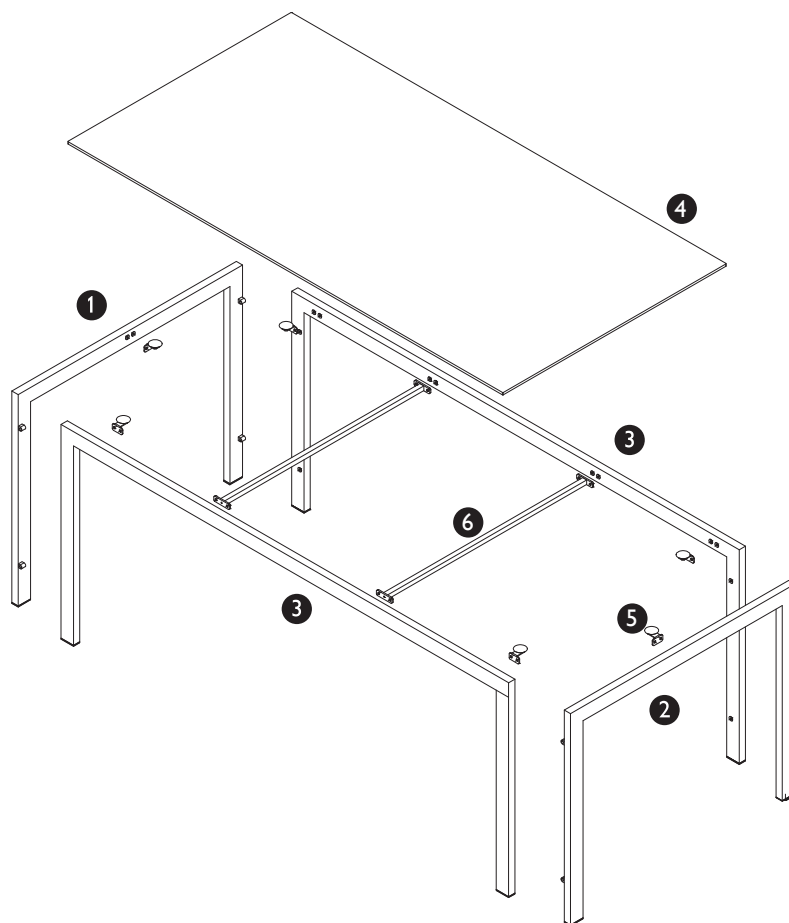
- ✓ Check the pack and make sure you have all the parts listed.
- ✓ Check all screws or bolts are tightened and inspect regularly.
- ✓ Make sure the legs remain in contact with the ground at all times.

Don'ts

- ✗ Do not over tighten screws or bolts.
- ✗ Do not stand on the product.
- ✗ Do not use power tools to construct as overtightening and panel failure may occur.



Your table



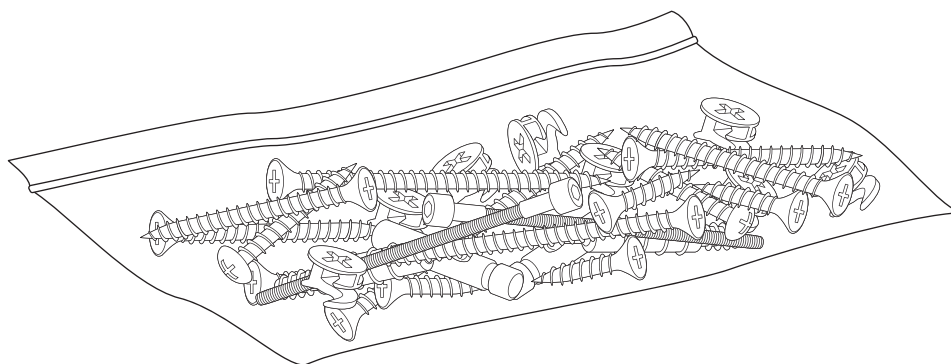
Ref	Description	Dimensions	Qty
1	Table frame	903 × 737 × 40mm	1
2	Table frame	903 × 737 × 40mm	1
3	Table frame	2150 × 745 × 26mm	2
4	Table Top	2150 × 900 × 8mm	1
5	Glass fastener	35 × 30 × 40mm	6
6	Support tube	901 × 20 × 70mm	2

Internal dimensions



Stock number: 82009808

Overall size: H75 W95 D215cm



Fixtures and fittings



Fixtures and fittings
supplied (actual size)

Ref	Description	Dimensions	Qty	mm
A	Screw	6mmx16mm	20	
B	Screw	6mmx30mm	8	

Fixtures and fittings
supplied (not actual size)

Ref	Description	Dimensions	Qty	
C	Cap	D15x6mm	28	
D	Allen Key		1	

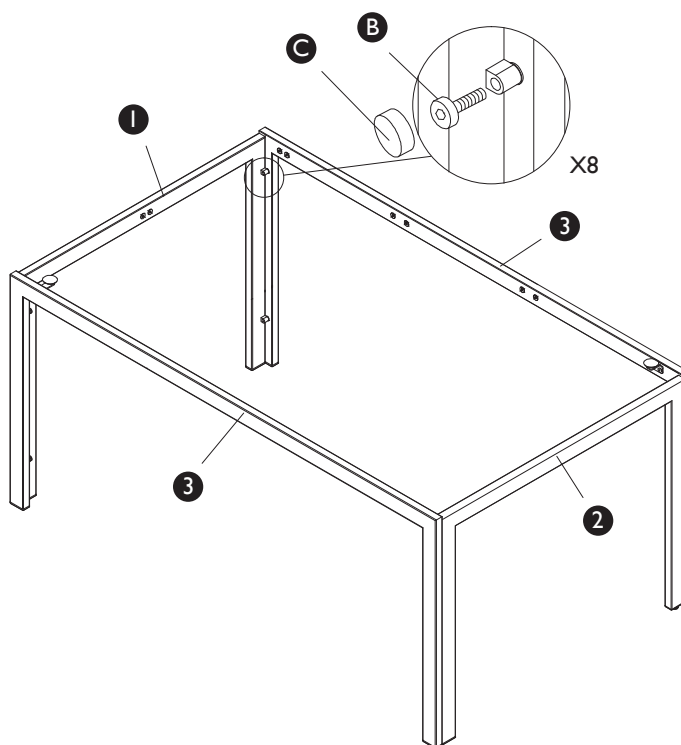
Product assembly

Miami 8 seater dining table
82009808

Step 1

Parts, fittings and tools

B C D I 2 3

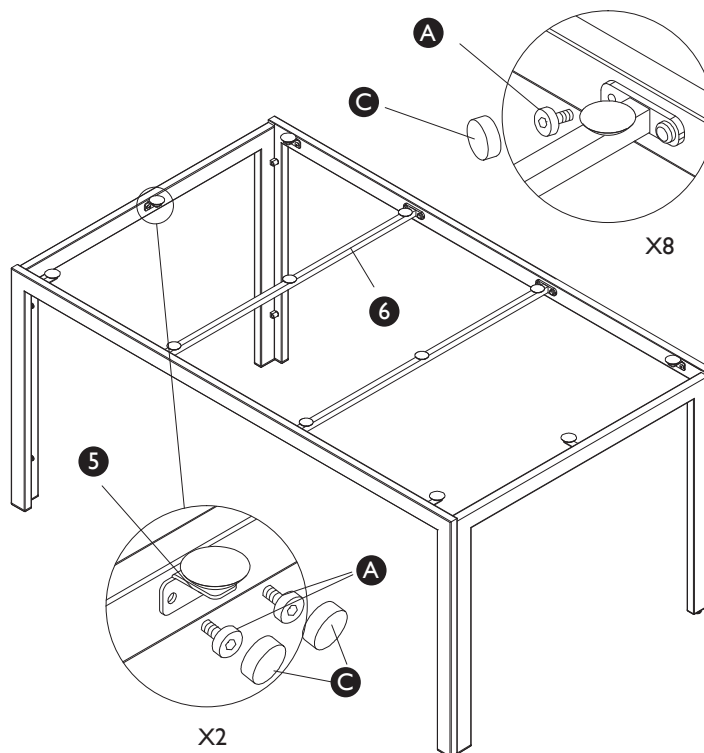


IMPORTANT: Tighten the screws with hand only. Do not fully tighten until the end of step 2.

Step 2

Parts, fittings and tools

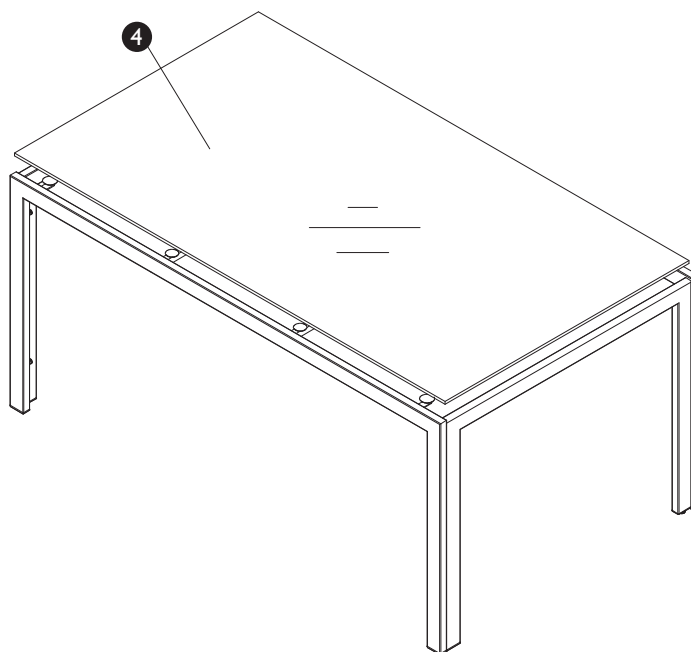
A C D 5 6



Step 3

Parts, fittings and tools

4



Place the glass table top into the frame and the table is now ready for use.

Care guide

Care and Maintenance

Do not use a wire brush when removing dirt from this item as it may damage the paint leaving the surface open to corrosion.

To extend the product life and appearance it is advisable to store the furniture in a cool dry place over winter. Ensure that the furniture is clean and completely dry before putting into storage. Do NOT enclose the product in a plastic or other non-permeable material as this creates moisture.

Safety Instructions

Never drag furniture when moving it, always lift it.

Periodically check all fixings to ensure none have come loose and re-tighten where necessary.

Please take care when handling or moving the furniture as careless handling may cause damage or injury.

This furniture has been designed for domestic use only.

Do not use the table as a ladder.

Furniture can be dangerous if incorrectly installed. Assembly should be carried out by a competent person. No liability will be accepted for damage or injury caused by incorrectly installed or assembled furniture.

If the glass is chipped or broken stop using the product and consult the manufacturer or supplier.

WARNING:

- a) Do not place very hot or very cold items directly on glass surfaces.
 - b) Do not sit or stand on glass surfaces.
 - c) Do not strike the glass with hard or pointed items, or use the glass as a chopping surface.
 - d) Do not use washing powders or any other substances containing abrasives, as these may scratch the glass.
- Handle with care! A damaged edge or scratched surface can in rare cases cause the glass to fail unexpectedly into many small pieces. Glass is most vulnerable when struck from the side.

PLEASE RETAIN THIS INFORMATION LEAFLET FOR FUTURE REFERENCE