

## KM 7201 FR

Induction hob with onset controls

with 4 round cooking zones at an attractive entry-level price



- Easy operation – EasySelect
- 4 round cooking zones in various sizes
- A width of 574 mm with stainless steel frame for surface installation
- Shortest heating-up times – TwinBooster

EAN: 4002516128519 / Material number: 11143970 / Old Material Number: 26720110GB

<b>Heating type</b>	
Heating type	Induction
<b>Construction type</b>	
Independent of cooker	•
<b>Design</b>	
Elegant glass ceramic surface	•
Ceramic surface colour	Black
Stainless steel frame	•
Surface-mounted installation	•
<b>Cooking zone details</b>	
Number of cooking zones	4
Number of cooking areas	0
Maximum number of pans	4
<b>1st cooking zone/cooking area</b>	
Position	front left
Type	Dual-circuit ring
Max. rating in W	2300
Max. Booster power rating in W	3000
Max. TwinBooster power rating in W	3650
<b>2nd cooking zone/cooking area</b>	
Position	rear left
Type	Dual-circuit ring
Size in mm	100-160 mm
Max. rating in W	1400
Max. Booster power rating in W	1700
Max. TwinBooster power rating in W	2200
<b>3rd cooking zone/cooking area</b>	
Position	rear right
Type	Dual-circuit ring
Max. rating in W	1850
Max. Booster power rating in W	2500
Max. TwinBooster power rating in W	3000
<b>4th cooking zone/cooking area</b>	
Position	front right
Type	Dual-circuit ring
Max. rating in W	1850
Max. Booster power rating in W	2500
Max. TwinBooster power rating in W	3000
<b>User convenience</b>	
Pan and pan size recognition	•
Display colour	Yellow
Operation via sensor controls	EasySelect
Auto heat-up	•
Permanent pan recognition	•
Recall function	•
Safety switch-off	•
Individual setting options (e.g. buzzers)	•
Stop & Go function	•
Minute minder	•
Keeping warm	•

KM 7201 FR

Induction hob with onset controls

with 4 round cooking zones at an attractive entry-level price



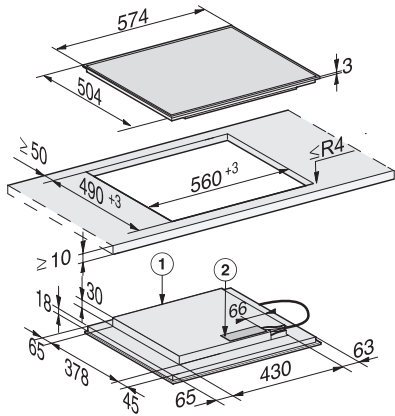
EAN: 4002516128519 / Material number: 11143970 / Old Material Number: 26720110GB

Cleaning convenience	
Easy to clean ceramic glass	•
Safety	
Safety switch-off	•
Lock function	•
System lock	•
Integrated cooling fan	•
Overheating protection	•
Residual heat indicator	•
Technical data	
Dimensions in mm (width)	574
Dimensions in mm (height)	51
Casing height incl. connection box in mm	48
Dimensions in mm (depth)	504
Cutout dimensions in mm (width) with surface-mounted installation	560
Cutout dimensions in mm (depth) with surface-mounted installation	490
Weight in kg	10
Total rated load in kW	7.30
Length of supply lead in m	1.4
Voltage in V	230
Frequency in Hz	50-60
Accessories supplied	
Number of mains cables with plug	Yes

## KM 7201 FR

Induction hob with onset controls

with 4 round cooking zones at an attractive entry-level price



KM 7201 FR (installation drawing)

1) Front, 2) Mains connection box. Mains connection cable  
L = 1440 mm, supplied loose