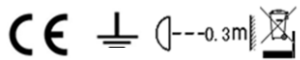


Recommended bulb


3 x 3-6 W SES energy efficient LED candle bulb
or
3 x 18W SES eco halogen candle bulb
Bulbs not included

Specifications

Max. power: 25W
Voltage: 220-240V~50/60Hz
IP rating: 20
Weight: 4.0kg



Please retain these instructions for future reference.

This symbol  indicates that this product should not be treated as normal household waste and it should be recycled. John Lewis do not operate instore take back, but as members of the Distributor Take Back scheme have funded the development and upgrade of recycling facilities across the UK. Please take it to your nearest collection facility or for further details contact your local council or visit www.recycle-more.co.uk.

We have taken great care to ensure that this product reaches you in perfect condition. However, should any parts be damaged or missing please e-mail lightingparts@JLSpares.co.uk

Trouble Shooting:

Why is the light not working when switched on?

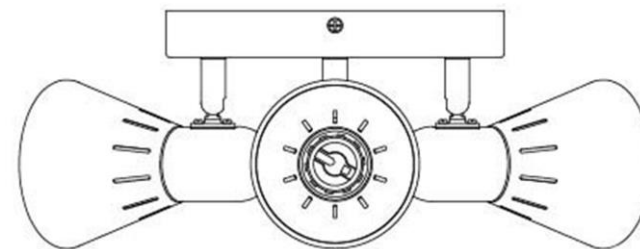
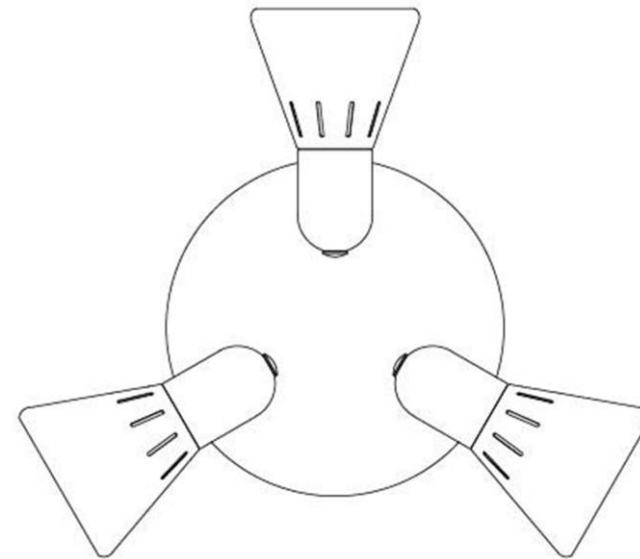
Check your power supply is switched on
Turn off light and check that the bulb is inserted correctly
Check the bulb is still in working order.

John Lewis Partnership
171 Victoria Street
London SW1E 5NN
johnlewis.com

Made in China

John Lewis

User manual White/Wood Triple Plate Spot



Thank you for purchasing this White/Wood Triple Plate Spot.
 Please read the instructions carefully before use to ensure safe and satisfactory operation of this product.
 Please keep these instructions for future reference.


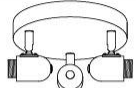





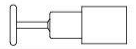
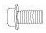
Warnings!

This product is Class I and must be earthed.
 This fitting should be fitted in accordance with IEE Regulations and the Building Regulations. If in any doubt, or where required by law, consult a competent person who is registered with an electrical self-certification scheme. Further information is available online or from your Local Authority. To prevent electric shock, switch off at the mains supply before installing or maintaining this fitting. Ensure other persons cannot restore the electricity supply without your knowledge.
 If you are in any doubt, please consult a qualified electrician.
 If replacing an existing fitting, make a note of the connections.
 Always use the correct type and power bulb. Never exceed the power stated.
 When changing a bulb, always switch off at the mains and allow the old bulb to cool down before handling. Dispose of used bulbs carefully.
 The flexible cable on this luminaire, if damaged, shall only be replaced by the manufacturer or his service agent or a similar qualified person.

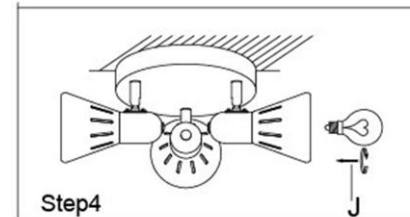
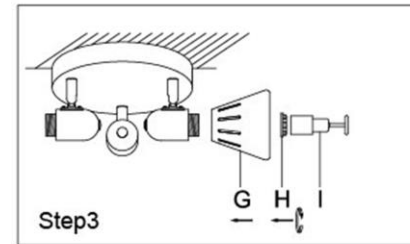
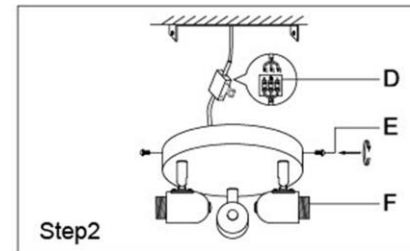
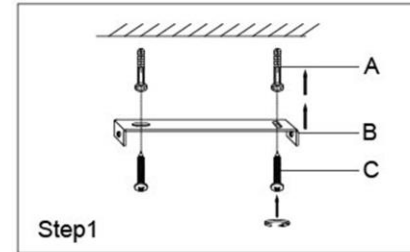
Caution! The bulb and surrounding parts can become hot during use. Important!

Care instructions

We recommend cleaning with a soft dry cloth.
 Do not use abrasive materials as these will damage the finish.
 Indoors use only.
 Replace bulbs from John Lewis or established brand of the same type and compatibility.

Parts list					
Code	Part	Qty	Code	Part	Qty
A		2	F		1
B		1	G		3
C		2	H		3
D		1	I		1
E		2			

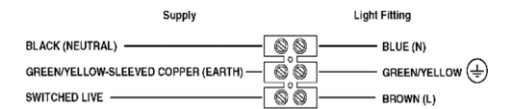
Assembly



Ensure the mains electricity supply switched off at the fuse board.

Step 1
 Ensure that the bracket (supplied) is fixed to a wooden joist, or use a suitable fixing to the ceiling which will support the weight of the fitting.

Step 2
 Connect cables to terminals as shown below.



Check all wires are tight in the terminal block and no loose strands are left out.
 Cover with insulating tape (not included).

Push up ceiling plate and secure with grub screws provided.

Step 3
 Fit shade over lamp holder and secure with shade ring by tool provided.

Step 4
 Attach the correct type and wattage bulb to the lamp holder (bulb not included).
 The maximum power indicated must not be exceeded.

Switch on the electricity supply at the fuse board.