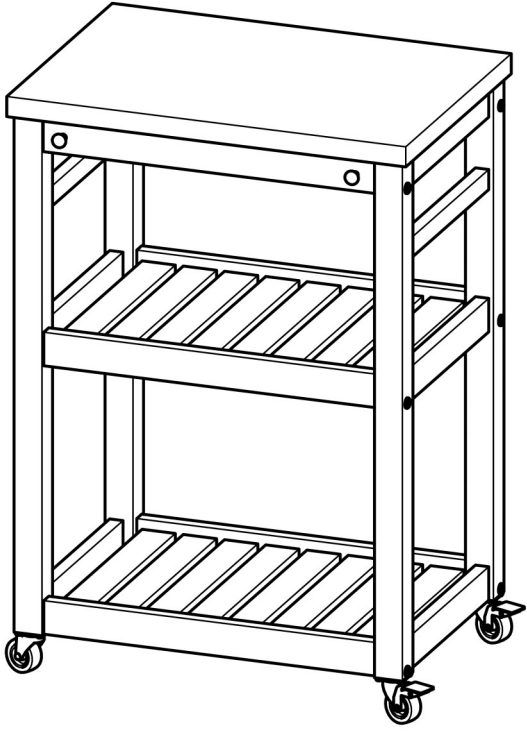
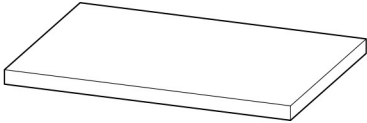
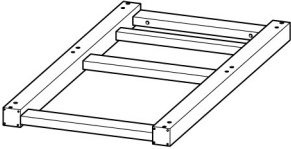
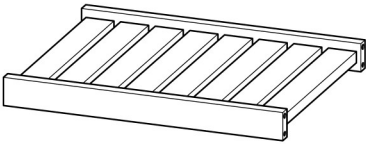






User manual
Butcher Trolley - Beech



Thank you for purchasing this Butcher Trolley. Please read the instructions and warnings carefully before use to ensure safe and satisfactory operation of this product. Before beginning assembly, please ensure you have all parts outlined in the pack contents below.

Pack contents

<p>A x 1</p> 	<p>B x 2</p> 
<p>C x 2</p> 	<p>D x 1</p> 
<p>E x 1</p> 	
<p>F x 2</p> 	<p>G x 2</p> 

Pack contents

H x 16



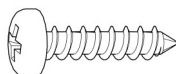
I x 12



J x 12



K x 16

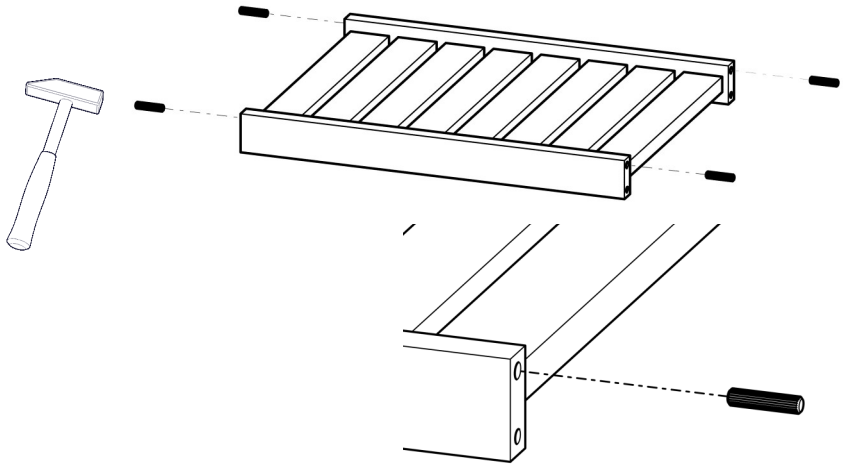


L x 1



Assembly

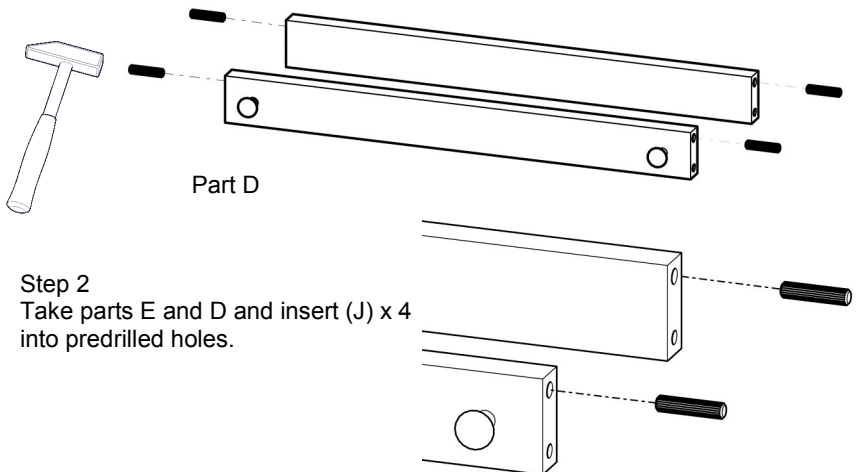
Part C x 2



Step 1

Lay shelf (C) x2 on smooth surface or on the carton. Insert (J) x4 into predrilled holes. See the detail above.

Part E

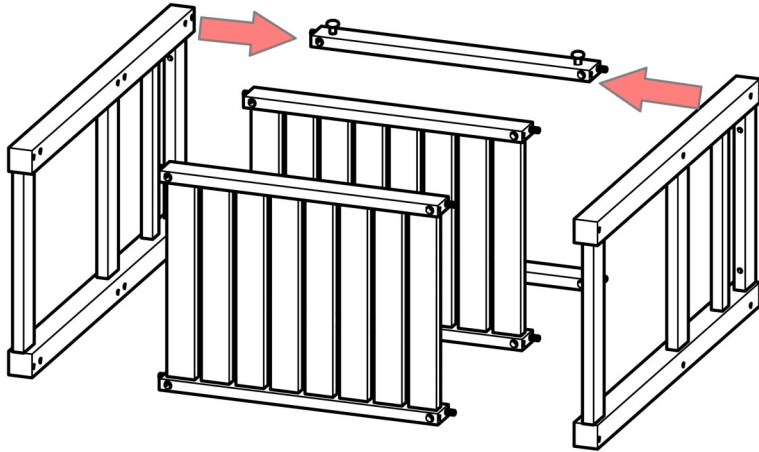


Step 2

Take parts E and D and insert (J) x 4 into predrilled holes.

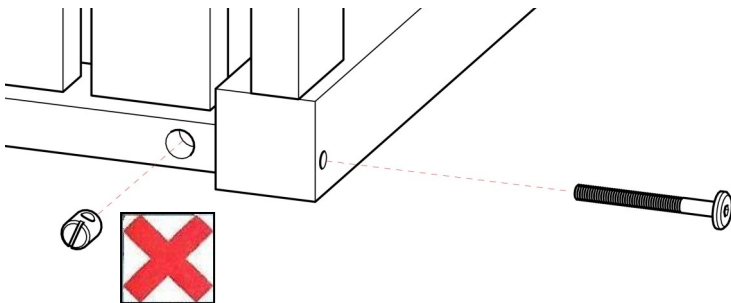
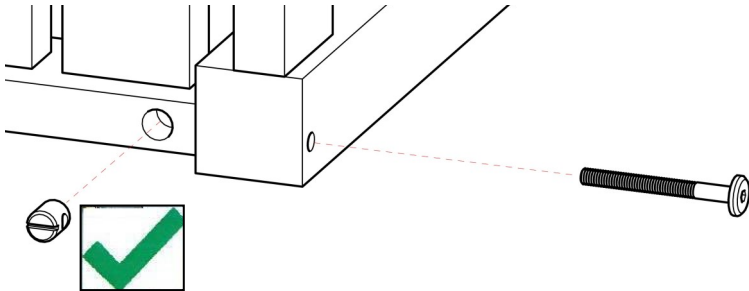
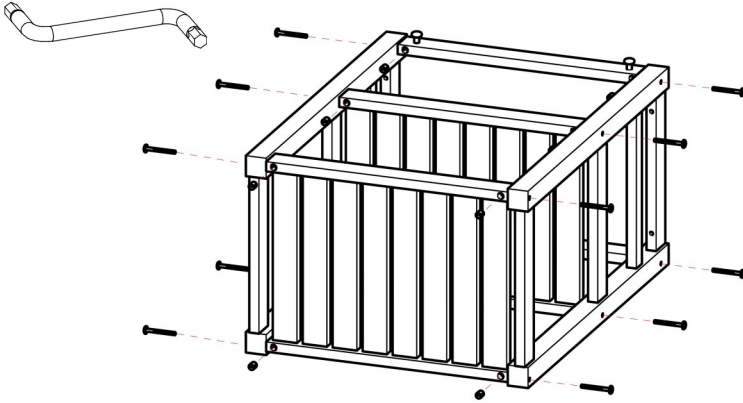
Step 3

Attach sides (B) x2, shelves (C) x2, rail (E) and rail (D) with hooks pointing up as shown in the diagram. Note the positions of parts C, D and E.



Step 4

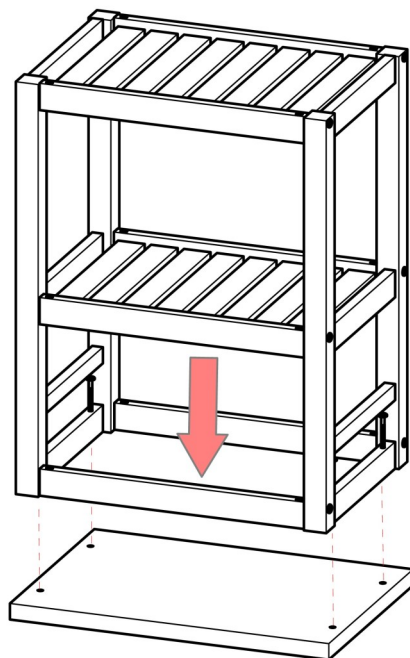
Fix the parts together using Allen Key (L), screws (H) x12 and bolts (I) x12 as shown in the diagram. Note the position of the bolts.



Step 5

Lay top panel (A) with predrilled holes upright on a smooth surface or the carton.

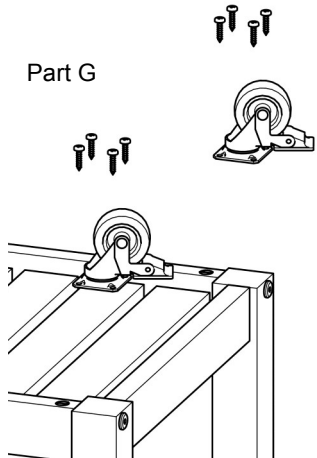
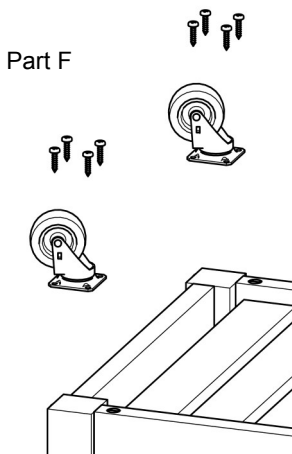
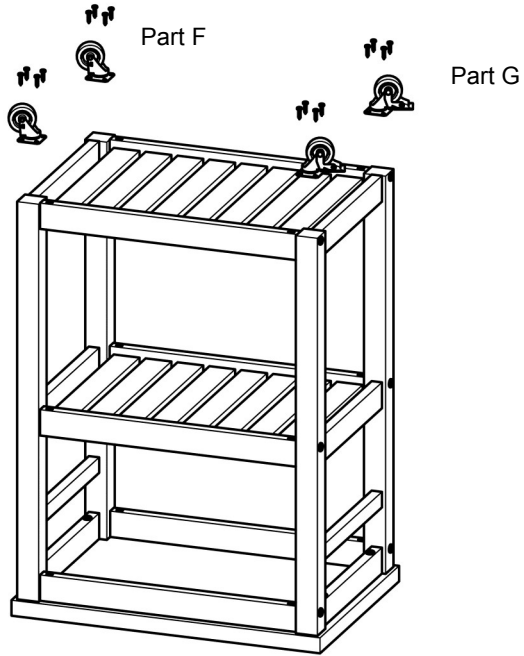
Attach the newly constructed frame to the top panel with screws (H) x4 and tighten with Allen Key (L).



Step 6

Fix castors (F) x2 on left side and castors with brake (G) on right side. To fix use screws (K) x16 and cross head screwdriver.

Assembly is now complete. With help turn the trolley upright onto the castors.



Care instructions

Wood furniture

Wood displays different grain patterns depending on which way they cut, these are just characteristics of the natural beauty of the wood. Some furniture is also deliberately aged and rustic.

Over time surfaces will change colour and mellow over. New furniture will initially vary in shade from items that have been previously purchased.

This trolley should be cleaned using a soft damp cloth and dried immediately.

Do not use a very wet cloth or allow any liquid to contact with the trolley for a long period of time as this can permanently damage the surface especially any hot water.

Do not use any abrasive cleaner or harsh detergent as this can damage the surface of the trolley.

Do not drag any object across the trolley as this can cause permanent damage.

Our furniture will endure most temperatures in the home but it is best to avoid placing furniture next to heat sources such as radiators or fires. Be particularly careful with solid wood as the lack of humidity caused by central heating can cause damage such as warping.

Warnings!

The fittings pack contains small items which should be kept away from young children.

Never drag furniture when moving it, always lift it.

Periodically check all fittings to ensure none have come loose and re-tighten where necessary.

Please take care when handling or moving the furniture as careless handling may cause damage or injury.

Furniture can be dangerous if incorrectly installed.

Assembly should be carried out by a competent person.

No liability will be accepted for damage or injury caused by incorrectly installed or assembled furniture.

Please retain this information leaflet for future reference. Warnings!

John Lewis Partnership
171 Victoria Street
London SW1E 5NN
Johnlewis.com