

# Operating and installation instructions

## Refrigerators



To avoid the risk of accidents or damage to the appliance it is **essential** to read these instructions before it is installed and used for the first time.

# Contents

---

<b>Warning and Safety instructions</b> .....	5
<b>Caring for the environment</b> .....	14
<b>How to save energy</b> .....	15
<b>Guide to the appliance</b> .....	17
Control panel.....	17
Accessories .....	19
Accessories supplied .....	19
Optional accessories.....	19
<b>Switching on and off</b> .....	21
Before using for the first time.....	21
Cleaning the appliance.....	21
Switching off for longer periods of time .....	22
<b>The correct temperature</b> .....	23
... in the refrigerator section .....	23
Automatic temperature distribution (DynaCool) .....	23
... in the freezer compartment .....	23
Temperature display .....	24
Setting the temperature.....	24
Freezer compartment .....	24
<b>Using Super cool</b> .....	25
Super cool function.....	25
<b>Door alarm</b> .....	26
Door alarm.....	26
Switching the door alarm off early .....	26
<b>Selecting further settings</b> .....	27
Settings mode .....	27
Activating or deactivating the lock.....	27
<b>Storing food in the refrigerator section</b> .....	28
Different storage zones .....	28
Food which is not suitable for storage in the refrigerator section .....	29
When shopping for food.....	29
Storing food correctly.....	29
<b>Adjusting the interior fittings</b> .....	30
Adjusting the door shelf / bottle shelf .....	30
Moving the shelves.....	30
Adjusting the bottle holder .....	30

Moving the charcoal filters .....	31
<b>Freezing and storing food (depending on model) .....</b>	<b>32</b>
Using the freezer compartment.....	32
Freezing fresh food.....	32
Storing frozen food.....	32
Home freezing .....	33
Before placing food in the appliance .....	34
Placing food in the freezer.....	34
Approx. 24 hours after placing fresh food in the freezer compartment .....	34
Cooling drinks .....	35
Using accessories .....	35
<b>Defrosting.....</b>	<b>36</b>
<b>Cleaning and care .....</b>	<b>38</b>
Cleaning agents.....	38
Preparing the appliance for cleaning.....	39
Cleaning the interior and accessories .....	40
Cleaning the door seals.....	41
Cleaning the ventilation gaps .....	41
Clean the compressor at the back of the appliance .....	41
After cleaning .....	41
Replacing the charcoal filters.....	42
<b>Problem solving guide .....</b>	<b>43</b>
<b>Noises .....</b>	<b>49</b>
<b>After sales service .....</b>	<b>50</b>
Contact in case of malfunction .....	50
Warranty .....	50
<b>Electrical connection .....</b>	<b>51</b>
<b>Installation.....</b>	<b>52</b>
Side-by-side combinations .....	52
Location.....	52
Climate range .....	53
Ventilation.....	53
Furniture door panel .....	54
Gap.....	54
Weight of the furniture door .....	55
Before installing the appliance .....	55
Building-in dimensions .....	56

# Contents

---

<b>Changing the door hinging</b> .....	57
<b>Adjusting the door hinges</b> .....	59
Adjusting the door hinges .....	59
Limiting the opening angle of the door .....	59
<b>Installing the appliance</b> .....	60
To install the appliance, you will need the following tools:.....	60
Parts required for installation .....	60
Preparing the appliance .....	60
Positioning the appliance .....	62
Aligning the appliance .....	63
Fitting a continuous furniture plinth facing.....	64
Securing the appliance in the niche .....	65
Fitting the furniture door.....	65

## Warning and Safety instructions

This appliance complies with all statutory safety requirements. Please note that inappropriate use can lead to personal injury and damage to property.

To avoid the risk of accidents and damage to the appliance, please read these instructions carefully before using it for the first time. They contain important notes on installation, safety, use and maintenance.

Miele cannot be held liable for non-compliance with these instructions.

Keep these instructions in a safe place and ensure that new users are familiar with the contents. Pass them on to any future owner.

### Correct application

▶ This refrigeration appliance is intended for use in the home and in similar environments, for example

- in shops, offices and similar work settings
- by the guests in hotels, motels, bed & breakfasts and other typical home settings.

This refrigeration appliance is not intended for outdoor use.

▶ This appliance is intended for domestic use only for cooling and storing food and drink as well as for storing deep frozen food, freezing fresh food and for making ice.

Any other usage is not supported by the manufacturer and could be dangerous.

▶ This appliance is not suitable for storing and keeping cool medicines, blood plasma, laboratory preparations or other such materials or products. Incorrect use of the appliance for such purposes can cause deterioration of the items stored. The appliance is not suitable for use in areas where there is a risk of explosion.

Miele cannot be held liable for damage resulting from improper or incorrect use of the appliance.

## Warning and Safety instructions

---

▶ The appliance can only be used by people with reduced physical, sensory or mental capabilities, or lack of experience and knowledge, if they are supervised whilst using it, or have been shown how to use it in a safe way and recognise and understand the consequences of incorrect operation.

### Safety with children

- ▶ Children under 8 years of age must be kept away from the appliance unless they are constantly supervised.
- ▶ Children 8 years and older may only use the appliance unsupervised if they have been shown how to use it in a safe way and recognise and understand the consequences of incorrect operation.
- ▶ Children must not be allowed to clean or maintain the appliance unsupervised.
- ▶ Please supervise children in the vicinity of the appliance and do not let them play with it.
- ▶ Danger of suffocation! Whilst playing, children could become entangled in packaging (such as plastic wrapping) or pull it over their head and suffocate. Keep packaging material away from children.

## Technical safety

► The coolant system is tested for leaks. This appliance complies with statutory safety requirements and the appropriate EU guidelines.



► This appliance contains the coolant Isobutane (R600a), a natural gas which is environmentally friendly. Although it is flammable, it does not damage the ozone layer and does not increase the greenhouse effect.

The use of this coolant has, however, led to a slight increase in the noise level of the appliance. In addition to the noise of the compressor, you might be able to hear the coolant flowing around the system. This is unavoidable, and does not have any adverse effect on the performance of the appliance.

Care must be taken during the transportation and setting up of the appliance that no parts of the cooling system are damaged. Leaking coolant can damage the eyes.

In the event of any damage:

- avoid naked flames or anything which creates a spark,
- disconnect the appliance from the mains electricity supply,
- ventilate the room where the appliance is located for several minutes, and
- contact the Miele Service Department.

## Warning and Safety instructions

---

- ▶ The more coolant there is in a refrigeration appliance, the larger the room it should be installed in. In the event of a leakage, if the appliance is in a small room, there is the danger of combustible gases building up. For every 11 g of coolant at least 1 m<sup>3</sup> of room space is required. The amount of coolant in the appliance is stated on the data plate inside the appliance.
- ▶ To avoid the risk of damage to the appliance, make sure that the connection data (fuse rating, frequency and voltage) on the data plate corresponds to the household supply. Check that this is the case before connecting the appliance. Consult a qualified electrician if in any doubt.
- ▶ The electrical safety of this appliance can only be guaranteed when correctly earthed. It is essential that this standard safety requirement is met. If in any doubt please have the electrical installation tested by a qualified electrician.
- ▶ Reliable and safe operation of this appliance can only be assured if it has been connected to the mains electricity supply.
- ▶ If the electrical connection cable is faulty it must only be replaced by a Miele authorised service technician to protect the user from danger.
- ▶ Do not connect the appliance to the mains electrical supply by a multi-socket adapter or extension lead. These are a fire hazard and do not guarantee the required safety of the appliance.
- ▶ If moisture gets into electrical components or into the mains connection cable, it could cause a short circuit. Therefore, do not operate this refrigeration appliance in areas which are exposed to moisture (e.g in a garage or utility room).
- ▶ This appliance must not be used in a non-stationary location (e.g. on a ship).
- ▶ Do not use a damaged appliance. It could be dangerous. Check the appliance for visible signs of damage.



## Warning and Safety instructions

---

- ▶ For safety reasons, this appliance may only be used after it has been built in.
- ▶ The appliance must be isolated from the electricity supply during installation, maintenance and repair work.
- ▶ Unauthorised installation, maintenance and repairs can cause considerable danger for the user. Installation, maintenance and repairs must only be carried out by a Miele authorised technician.
- ▶ While the appliance is under warranty, repairs should only be undertaken by a Miele authorised service technician. Otherwise the warranty is invalidated.
- ▶ Miele can only guarantee the safety of the appliance when genuine original Miele replacement parts are used. Faulty components must only be replaced by Miele spare parts.

# Warning and Safety instructions

---

## Correct use

- ▶ The appliance is designed for use within a certain climate range (ambient temperatures), and should not be used outside this range. The climate range for your appliance is stated on the data plate inside the appliance. Installing it in a room with too low an ambient temperature, e.g. a garage, will lead to the appliance switching off for longer periods so that it cannot maintain the required temperature.
- ▶ Do not cover or block the air vents as this could impair the efficiency of the appliance, increase the electricity consumption and could cause damage to the components.
- ▶ If storing food which contains a lot of fat or oil in the appliance or the door, make sure that it does not come into contact with plastic components as this could cause stress cracks or break the plastic.
- ▶ Do not store explosive materials in the appliance or any products containing propellants (e.g. spray cans). Electrical components could cause flammable vapours to ignite. Danger of fire and explosion.
- ▶ Do not operate any electrical equipment (e.g. an electric ice cream maker) inside the appliance. Danger of sparking and explosion.
- ▶ Do not store cans or bottles containing carbonated drinks or liquids which could freeze in the freezer compartment. The cans or bottles could explode. Danger of injury and damage to the appliance.
- ▶ When cooling drinks quickly in the freezer compartment, make sure bottles are not left in for more than one hour; otherwise they could burst, causing injury or damage.
- ▶ Never handle frozen food or the metal parts of the appliance with wet hands. Your hands may freeze to the frozen food or to the metal. Danger of frost burn.

## Warning and Safety instructions

---

▶ Do not take ice cubes out with your bare hands and never place ice cubes or ice lollies in your mouth straight from the freezer compartment.

The very low temperature of the frozen goods can cause frost burn to the lips and tongue. Danger of injury!

▶ Do not refreeze partially or fully defrosted food. Consume defrosted food as soon as possible, as it will lose its nutritional value and spoil if left for too long. Defrosted food may only be re-frozen after it has been cooked.

▶ Observe the manufacturer's "use-by" dates and storage instructions given on food to avoid the risk of food poisoning. Storage times will depend on several factors, including the freshness and quality of the food, as well as the temperature at which it is stored.

▶ Only use genuine original Miele accessories and spare parts with this appliance. Using accessories or spare parts from other manufacturers will invalidate the warranty, and Miele cannot accept liability.

# Warning and Safety instructions

---

## Cleaning and care

- ▶ Do not use any oils or grease on the door seals, as these will cause the seals to deteriorate and become porous with time.
- ▶ Do not use a steam cleaning appliance to clean or defrost this appliance.  
Steam could reach electrical components and cause a short circuit.
- ▶ Sharp edged or pointed objects will damage the evaporator, causing irreversible damage to the appliance. Do not use sharp edged or pointed objects to
  - remove frost and ice,
  - separate frozen foods or remove ice trays.
- ▶ Do not place electric heaters or candles in the appliance to defrost it. These can damage the plastic parts.
- ▶ Do not use defrosting sprays or de-icers, as they could contain substances which could damage the plastic parts or which might cause the build-up of gases and pose a danger to health.

## Transporting the appliance

- ▶ Always transport the appliance in an upright position and in its original transport packaging to avoid damage in transit.
- ▶ Danger of injury and damage. The appliance is very heavy and must be transported by two people.

## Disposal of your old appliance

▶ Before disposing of an old appliance, first make the door latch or lock unusable.

This way you will prevent children from accidentally locking themselves in and endangering their lives.

- ▶ Splashes of coolant can damage the eyes. Be careful not to damage any part of the pipework whilst awaiting disposal, e.g. by
- puncturing the coolant channels in the condenser,
  - bending any pipework, or
  - scratching the surface coating.

## Symbol on the compressor (depending on model)

This information is only relevant for recycling. In normal operation there is no risk.



- ▶ The oil in the compressor can be fatal if swallowed or if it penetrates the airways.

# Caring for the environment

---

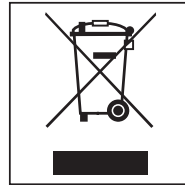
## Disposal of the packing material

The packaging is designed to protect the appliance from damage during transportation. The packaging materials used are selected from materials which are environmentally friendly for disposal and should be recycled.

Recycling the packaging reduces the use of raw materials in the manufacturing process and also reduces the amount of waste in landfill sites.

## Disposal of your old appliance

Electrical and electronic appliances often contain valuable materials. They also contain specific materials, compounds and components, which were essential for their correct function and safety. These could be hazardous to human health and to the environment if disposed of with your domestic waste or if handled incorrectly. Please do not, therefore, dispose of your old appliance with your household waste.



Please dispose of it at your local community waste collection / recycling centre for electrical and electronic appliances, or contact your dealer or Miele for advice. You are also responsible (by law, depending on country) for deleting any personal data that may be stored on the appliance being disposed of.

Take care not to damage the pipework at the back of it before or during transportation to an authorised collection depot.

In this way, refrigerant in the pipework and oil in the compressor will be contained, and will not leak into the environment.

Please ensure that your old appliance presents no danger to children while being stored awaiting disposal. See “Warning and Safety instructions” for more information.

## How to save energy

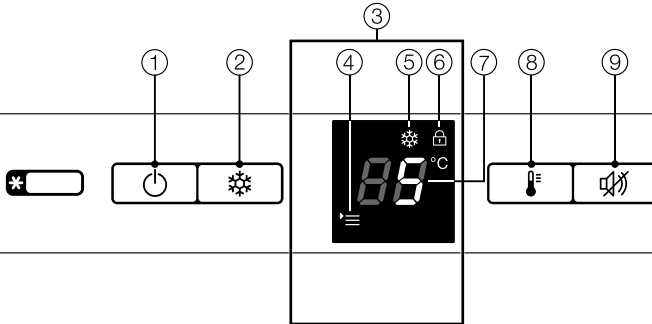
	<b>Normal energy consumption</b>	<b>Increased energy consumption</b>
<b>Installation / Maintenance</b>	In a ventilated room	In an enclosed, unventilated room
	Protected from direct sunlight	In direct sunlight
	Not near to a heat source (radiator, oven)	Near to a heat source (radiator, oven)
	Where the ideal ambient room temperature is approx. 20 °C	Where the ambient room temperature is above 25 °C
	Ventilation gaps uncovered and dusted regularly.	Where the ventilation gaps are blocked and full of dust
	Dust the compressor at the back of the refrigeration appliance at least once a year.	When there is a build-up of dust on the compressor.
<b>Temperature setting</b>	Refrigerator section 4 to 5 °C	The lower the temperature, the higher the energy consumption.
	Freezer compartment -18 °C	

## How to save energy

	<b>Normal energy consumption</b>	<b>Increased energy consumption</b>
<b>Use</b>	Drawers and shelves arranged as they were when the appliance was delivered.	
	Only open the door when necessary and for as short a time as possible. Store food in an organised way.	Frequent opening of the door for long periods will cause a loss of coldness. The appliance will cool down and the compressor will run for longer periods.
	Take an insulated cool bag when shopping and load food in the appliance as soon as possible. Replace any food removed as quickly as possible, before it begins to thaw. Allow hot food and drinks to cool down before placing them in the appliance.	Hot food or food at room temperature raises the temperature inside the appliance. The appliance will cool down and the compressor will run for longer periods.
	Store food covered or packaged.	The evaporation or condensation of liquids will cause a loss of coldness.
	Place frozen food in the refrigerator to defrost.	
	Do not over-fill the appliance to allow air to circulate.	Poor air circulation will cause a loss of coldness.
<b>Defrosting</b>	Defrost the freezer compartment when a layer of ice 0.5 cm (max.) thick has built up.	A build-up of ice slows down the cooling process.



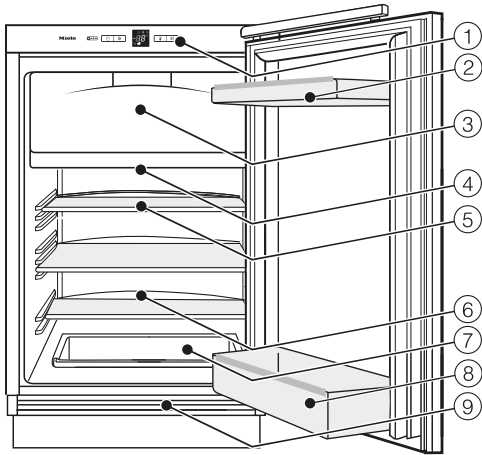
## Control panel



- ① On/Off button
- ② Super cool button
- ③ Display
- ④ Menu symbol  
(Settings mode for:  
switching the safety lock on/off)
- ⑤ Super cool symbol
- ⑥ Lock symbol
- ⑦ Temperature display
- ⑧ Temperature setting button
- ⑨ Alarm off button

# Guide to the appliance

---



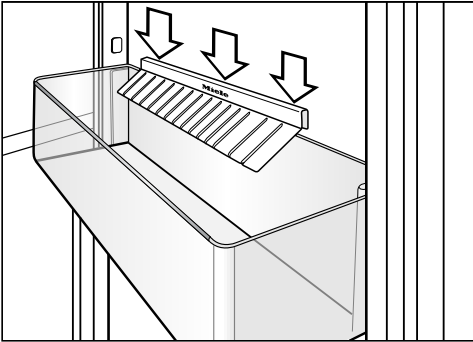
This drawing is for illustration purposes only.

- ① Control panel with display
- ② Door shelf / Egg tray
- ③ Freezer compartment (depending on model)
- ④ Interior lighting (depending on model)
- ⑤ Adjustable shelf
- ⑥ Condensate channel and drain hole
- ⑦ Fruit and vegetable drawer
- ⑧ Bottle shelf with bottle holder
- ⑨ Ventilation grille

## Accessories

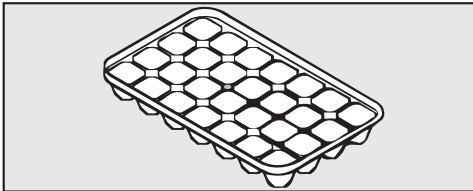
### Accessories supplied

#### Bottle holder

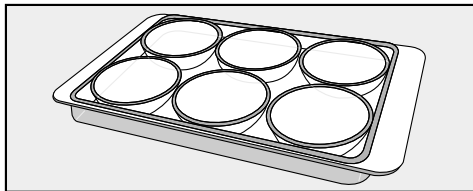


The flexible ribs grip the bottles securely when the door is opened and closed.

#### Ice cube tray(dependent on model)



#### Egg tray

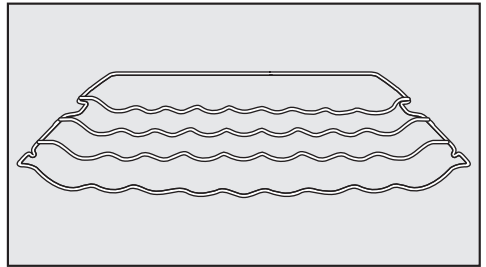


### Optional accessories

A range of useful Miele accessories and care products are available for your appliance.

Accessories are available to order via the Miele Webshop, from Miele directly (see back cover for contact details) or from your Miele dealer.

#### Bottle rack



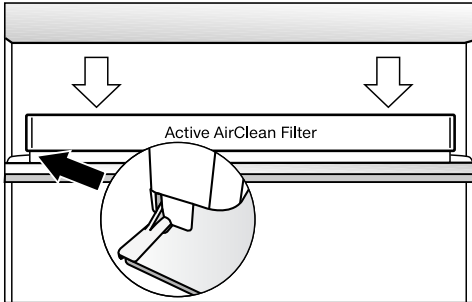
Bottles can be stored horizontally using the bottle rack to save space. The bottle rack can be placed at different positions in the appliance.

# Guide to the appliance

---

## **KKF-FF Active AirClean charcoal filters with holder**

Charcoal filters neutralise unpleasant odours in the refrigerator section for improved air quality.



The charcoal filter holder clips onto the protective strip at the back of the shelf and can be moved as necessary.

## **KKF-RF Active AirClean replacement filters**

Replacement filters to fit the Active AirClean holder are available. We recommend replacing the charcoal filters every 6 months.

## **Multi-purpose microfibre cloth**

The microfibre cloth is suitable for removing fingerprints and light soiling from surfaces such as stainless steel, glass, plastic and chrome without the use of chemicals.

## **MicroCloth Kit**

The MicroCloth Kit contains a universal cloth, a glass cloth and a polishing cloth.

These cloths are extremely rip-proof and hard-wearing. Thanks to very fine microfibres these cloths achieve excellent cleaning results.

## Before using for the first time

### Packaging material

- Remove all packaging material from the inside of the appliance.

### Removing the protective foil

The stainless steel trim to the interior shelves and the door shelves has a layer of protective foil to prevent damage during transportation.

- Carefully remove the protective film from the stainless steel trim.

### Cleaning the appliance

Please refer to the relevant instructions in “Cleaning and care”.

- Clean the inside of the appliance and the accessories.

## Switching the appliance on

To enable the temperature to get sufficiently cold inside the appliance, allow the appliance to run for some time before placing food in it for the first time.

- Press the  button.

The appliance will start to cool and the temperature required will appear in the temperature display. The interior lighting will come on when the door is opened.

## Switching off the appliance off

- Press the  button until the display goes out.


If this does not work, the safety lock is activated (see “Selecting further settings – To deactivate the lock”).

The interior lighting goes out and cooling is turned off.

# Switching on and off

---

## Switching off for longer periods of time

 If, during a long absence, the appliance is switched off but not cleaned and the door(s) left shut, there is a danger of mould building up inside the appliance. It is essential to clean the appliance.

If the appliance is not going to be used for a longer period of time, e.g. whilst on holiday:

- switch the appliance off,
- disconnect it from the mains,
- defrost the freezer compartment (depending on model),
- clean the appliance and
- leave the door(s) ajar to air the appliance and avoid odours building up inside the appliance.

## The correct temperature

---

It is very important to set the correct temperature for storing food in the appliance. Micro-organisms will cause food which is not stored at the correct temperature to deteriorate rapidly. Temperature influences the growth rate of these micro-organisms. Reducing the temperature reduces their growth rate.

The temperature in the appliance will rise:

- the more often the door is opened and the longer it is kept open,
- the more food that is stored in it,
- the warmer the food is which is being put into it,
- the higher the ambient temperature surrounding the appliance. The appliance is designed for use within specific ambient temperatures (climate range). Do not use in ambient temperatures for which it is not designed.

### . . . in the refrigerator section

We recommend a temperature of **4 °C** in the refrigerator section.

### Automatic temperature distribution (DynaCool)

The fan switches on automatically when the cooling system for the refrigerator switches on. It distributes the temperature in the appliance to all areas more evenly so that all the food will be chilled to about the same degree.

### . . . in the freezer compartment

(depending on model)

To freeze fresh food and to store frozen food for a long time, a temperature of **-18 °C** is required. At this temperature the growth of micro-organisms is generally halted. As soon as the temperature rises above -10 °C, the micro-organisms become active in the food again so that it cannot be kept as long. For this reason, partially defrosted or fully defrosted food must not be re-frozen. Food may be re-frozen once it has been cooked, as the high temperatures achieved when cooking destroy most micro-organisms.

# The correct temperature

---

## Temperature display


In normal operation the temperature display shows the **required** temperature.

## Setting the temperature

If the appliance door is opened very often, or if large quantities of food are being stored in the appliance, or if there is a high ambient temperature, it is advisable to set the temperature between **3 °C and 5 °C**.

The temperature can be adjusted from 9 °C to 2 °C.

The higher or lower the temperature in the refrigerator section, the higher or lower it is in the freezer compartment.

- Press the  button repeatedly until the temperature you want is shown in the temperature display.

The first time you press the button the last temperature set will flash in the display.

The temperature value will then change until the setting for 9 °C is reached. It will then drop back to the 2 °C setting.

After a short while the newly selected temperature is automatically set and will appear in the display.

The temperature in the appliance will now adjust slowly to the newly set temperature.

## Freezer compartment

The average temperature in the freezer compartment will be approx. **-18 °C**.

If using a thermometer or other device to measure the temperature in the freezer compartment be aware that the air temperature measured can fluctuate.



## Super cool function

The Super cool function can be used to rapidly reduce the temperature in the refrigerator section to its lowest setting (depending on the room temperature).

Super cool is particularly recommended for the rapid chilling of large amounts of fresh food or drink.

It is also advisable to switch it on about 4 h before placing food in the freezer compartment to give already frozen food a good cold reserve.

## Switching on Super cool

- Press the ❄️ button.

The Super cool ❄️ symbol will light up. The appliance will work at full power to lower the temperature in the refrigerator section.

## Switching off Super cool

The Super cool function will switch itself off automatically after approx. 12 hours. The Super cool ❄️ symbol will go out and the appliance will run at normal power again.

To save energy, you can switch the Super cool function off yourself once food and drinks are sufficiently chilled.

- Press the ❄️ button so that the ❄️ symbol goes out.

The appliance will then continue running at normal power.

# Door alarm

---

The appliance is fitted with a warning system to avoid increased energy consumption if the door is left open.

## Door alarm

An alarm will sound if the appliance door has been left open for longer than 60 seconds.

It will stop as soon as the door is closed.

### Switching the door alarm off early

If the noise disturbs you, you can switch the alarm off if you wish.

- Press the  button.

The alarm will stop.

The alarm tone cannot be switched off early if you are in settings mode.

### Settings mode

The alarm can be activated or deactivated in settings mode.

Activating or deactivating the lock	⌂
-------------------------------------	---


Settings mode is indicated by the menu symbol  in the display.

See below for instructions on how to **activate and deactivate the lock**.

#### Activating or deactivating the lock


The safety lock function can be activated to prevent the appliance being switched off by mistake.

##### – To activate the lock

- Press the  button for approx. 5 seconds.

The menu symbol  lights up and ⌂ flashes in the display.


Settings mode is now active.

- Press the  button briefly to access the lock function.

⌂ will appear in the display.


- Press the  button briefly to activate the lock.



The lock symbol  lights up.

- To quit settings mode press the  button.


The temperature will appear in the display.

##### – To deactivate the lock


- Press the  button for approx. 5 seconds.

The lock symbol  and the Menu symbol  will light up and ⌂ will start flashing in the display.


Settings mode is now active.

- Press the  button briefly to access the lock function.

⌂ will appear in the display.

- Press the  button briefly to deactivate the lock.

The lock symbol  will go out.

- To quit settings mode press the  button.

The temperature in the refrigerator section will appear in the display.

# Storing food in the refrigerator section



Danger of explosion.

Do not store explosive materials in the appliance or any products containing propellants (e.g. spray cans).



If storing food which contains a lot of fat or oil in the appliance or the appliance door, make sure that it does not come into contact with plastic components as this could cause stress cracks or break the plastic.

Make sure that no oil or grease leaks onto the plastic parts of the appliance. This can cause the plastic to crack and break.

## Different storage zones

Due to natural air circulation there are different temperature zones in the refrigerator section.

Cold, heavy air sinks to the lowest section of the appliance. Make use of the different temperature zones when placing food in the appliance.

To allow air to circulate efficiently, do not pack food too closely together in the refrigerator.

Do not cover the fan in the rear wall of the refrigerator, as this is essential for keeping the appliance cool.

Food must not touch the back of the refrigerator section as it may freeze to the back wall.

This appliance has automatic Dynamic cooling, which helps to keep an even temperature when the fan is running, making the difference between the various zones is less pronounced.

### Warmest area

The warmest area in the refrigerator section is at the top in the front area and in the door. Use this for storing butter and cheese.

### Coldest area

The coldest area in the refrigerator section is directly above the fruit and vegetable drawer and at the back of the appliance.

Use these areas to store all delicate and highly perishable food, e.g.

- fish, meat, poultry,
- cold cuts, ready meals,
- dishes or baked goods containing eggs or cream,
- fresh dough, cake mixtures, pizza or quiche dough,
- soft cheese and other dairy products,
- pre-packed vegetables and other fresh food with a label stating it should be kept at a temperature of approx. 4 °C.

# Storing food in the refrigerator section

---

## Food which is not suitable for storage in the refrigerator section

Not all food is suitable for refrigeration at temperatures below 5°C as some food is sensitive to cold. The appearance, consistency, taste and / or the vitamin content of certain types of food can be adversely affected by being stored in too cold a place.

Food which does not tolerate cold temperatures includes:

- Pineapples, avocados, bananas, pomegranates, mangoes, melons, papayas, passion fruit, citrus fruits (such as lemons, oranges, mandarins, grapefruit),
- Fruit which is not yet ripe
- Aubergines/eggplant, cucumbers, potatoes, peppers/capsicum, tomatoes, courgettes/zucchini,
- Some hard cheeses, e.g. Parmesan.

## When shopping for food

The freshness of food when first placed in the appliance is the most important factor in determining how long it stays fresh, and how long it can be kept in the appliance.

Always observe the use-by date and the recommended storage temperature. Time out of the refrigerator should be kept to a minimum, for example, when transporting food in a hot car.

**Tip:** Take a cool bag with you when shopping and on return place food into the appliance immediately.

## Storing food correctly

Food should generally be stored **covered or packaged** in the refrigerator section. This will prevent food smells from affecting other food, food from drying out, and also any cross-contamination of bacteria. This is especially important for storing protein-based food such as meat or fish. The storage life of food can be increased by setting the correct temperature and maintaining good standards of hygiene.

### Fruit and vegetables

Fruit and vegetables can be stored loose in the fruit and vegetable drawer.

### Protein rich food

Please note that food rich in protein deteriorates faster than other types of food. Shellfish, for example, deteriorates faster than fish, and fish deteriorates faster than meat.

# Adjusting the interior fittings

## Adjusting the door shelf / bottle shelf

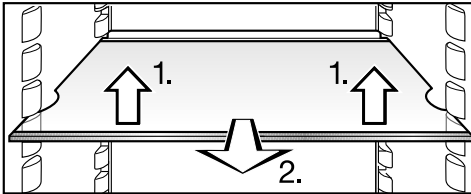
Risk of injury!

Only move door shelves / bottle shelves when they are empty.

- Push the door/bottle shelf upwards, then remove it by pulling it forwards
- Replace the shelf at the required height. Ensure that it is securely pushed back into position.

## Moving the shelves

The shelves can be adjusted according to the height of the food.

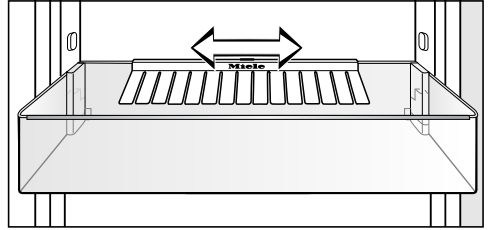


- Raise the shelf, and pull it forwards slightly until the notch at the side is in line with the shelf support. It can then be raised or lowered to the required level.

The raised edge on the protective strip at the back must face upwards to prevent food from touching the back of the appliance and freezing to it.

Stoppers prevent the shelves from being dislodged by mistake.

## Adjusting the bottle holder



The bottle holder can be moved left or right to create more room for drink cartons.

The bottle holder can be removed completely (e.g. for cleaning):

- Push the bottle shelf upwards, then remove it by pulling it forwards
- Pull the bottle holder upwards to remove it from the rear edge of the bottle shelf.

## Moving the charcoal filters

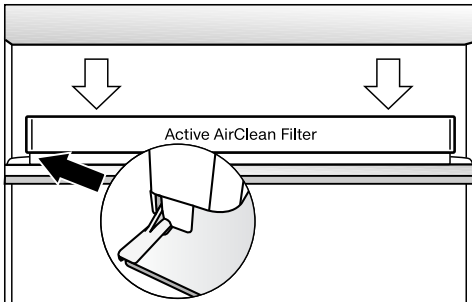
Charcoal filters and a KKF-FF (Active AirClean) holder are available as optional accessories (see “Accessories - optional accessories”).

### When you are storing very strong smelling food (e.g. very ripe cheese):

- Place the holder with the charcoal filters on the shelf where this food is kept.
- Change the filters sooner if necessary.
- Use more charcoal filters (with holders) in the appliance (see “Accessories - Optional accessories”).

The holder for the charcoal filters sits on the protective strip at the back of the shelf.

- To move the charcoal filters, pull the holder upwards to remove it from the protective strip.



- Refit it on the protective strip of the shelf you wish to use it on.

# Freezing and storing food (depending on model)

---

## Using the freezer compartment

Use the freezer compartment to:

- store frozen food,
- make ice cubes,
- freeze small quantities of fresh food.

Up to 2 kg of food can be frozen in 24 hours.

## Freezing fresh food

Fresh food should be frozen as quickly as possible. This way the nutritional value of the food, its vitamin content, appearance and taste are not impaired.

Food which takes a long time to freeze will lose more water from its cells, which then shrink. During the defrosting process, only some of this water is re-absorbed by the cells; the rest collects around the food.


If food is frozen quickly, the cells have less time to lose moisture, so they shrink less. As there is not so much moisture loss, it is easier for the food to reabsorb it during the defrosting process, and very little water collects around the defrosted food.

## Storing frozen food

When buying frozen food to store in your freezer, check

- that the packaging is not damaged,
- the use-by date,
- the temperature at which the frozen food is being stored in the shop. The length of time it can be kept is reduced if it has been stored at a temperature warmer than  $-18^{\circ}\text{C}$ .

- Buy frozen food once you have finished the rest of your shopping, and wrap it in newspaper or use a cool bag or cool box to transport it.
- Store it in the freezer as soon as possible.

 Never re-freeze partially or fully defrosted food. Consume defrosted food as soon as possible as it will lose its nutritional value and spoil if left for too long. Defrosted food may only be re-frozen after it has been cooked.



# Freezing and storing food (depending on model)

## Home freezing

Only freeze fresh food which is in a good condition.

### Hints on home freezing

- The following types of food **are suitable** for freezing:  
Fresh meat, poultry, game, fish, vegetables, herbs, fresh fruit, dairy products, cakes, leftovers, egg yolks, egg whites and a range of pre-cooked meals.
- The following types of food **are not suitable** for freezing:  
Grapes, lettuce, radishes, soured cream, mayonnaise, eggs in their shells, onions, whole raw apples and pears.
- To retain colour, taste, aroma and vitamin C, vegetables should be blanched before they are frozen. To do so place them portion by portion into boiling water for 2–3 minutes. Remove, and plunge into ice-cold water to cool quickly. Drain and pack ready for freezing.
- Lean meat freezes better than fatty meat, and can be stored for considerably longer.
- Separate chops, steaks, cutlets etc. with a sheet of plastic freezer film. This prevents them from freezing together in a block.
- Do not salt or season raw food or blanched vegetables before freezing. Cooked food should only be lightly salted and seasoned. Some herbs intensify the taste of food when frozen.

- Placing hot foods or drinks in the freezer causes food that is already frozen to partially thaw and increases energy consumption. Allow hot foods and drinks to cool down before placing them in the freezer.

### Packaging food for freezing

- Freeze food in portions.

### Suitable packing material

- Plastic freezer bags
- Tubular polythene freezer bags
- Aluminum foil
- Freezer containers

### Unsuitable packing material

- Wrapping paper
- Greaseproof paper
- Cellophane
- Bin bags
- Plastic carrier bags
- Expel as much air as possible from the packaging.
- Close the packaging tightly with
  - Rubber bands
  - Plastic clips
  - String
  - Freezer tape

**Tip:** Freezer bags may also be sealed using home heat sealing kits.

- Make a note of the contents and the date of freezing on the packaging.

# Freezing and storing food (depending on model)

## Before placing food in the appliance

- Set the temperature to 4 °C or colder for approx. 4 hours before placing food in the freezer compartment and switch on the Super cool function.

This helps create a cold reserve in food which is already stored in the freezer.

## Placing food in the freezer

Unfrozen food should not touch frozen food as this will cause frozen food to begin to thaw.

- To open the freezer compartment, press the handle upwards and then pull the door open.
- Make sure that the packaging and containers are dry to prevent them sticking together when frozen.
- Place the food flat on the bottom of the freezer compartment or in contact with the interior side walls, so that it freezes through to the core as quickly as possible.

## Approx. 24 hours after placing fresh food in the freezer compartment

The freezing process is complete.

- Set the temperature back to the one you want for the refrigerator section. We recommend a refrigerator temperature of 4 °C.

## Storage time for frozen food

The storage life of food is very variable, even at a constant temperature of -18 °C. Decomposition processes also take place in frozen food, albeit at a very reduced speed. For example fat can become rancid from contact with oxygen in the air. This is why lean meat can be stored approx. twice as long as fatty meat.

The storage times quoted are guide values for the storage life of different food groups in the freezer section.

Food group	Storage time (Months)
Ice cream	2 to 6
Bread, baked goods	2 to 6
Cheese	2 to 4
Fish, oily	1 to 2
Fish, lean	1 to 5
Sausage, ham	1 to 3
Game, pork	1 to 12
Poultry, beef	2 to 10
Vegetables, fruit	6 to 18
Herbs	6 to 10

Where the storage time given on the packaging differs, follow the advice on the packaging.

# Freezing and storing food (depending on model)

## Defrosting frozen food

Frozen food can be defrosted in different ways:

- in a microwave oven
- in an oven using “Fan heat” or the “Defrost” setting
- at room temperature
- in the refrigerator section (the cold given off by the frozen food helps to keep the other food cold)
- in a steam oven

**Flat pieces** of partially thawed fish can be placed directly into a hot frying pan.

**Meat and poultry** It is particularly important to observe food hygiene rules when defrosting poultry. Do not use the liquid from defrosted poultry. Pour it away and wash the container it was in, the sink and your hands. Danger of salmonella poisoning. Ensure that meat and fish (e.g. mince, chicken, fish fillets) do not come into contact with other foods while defrosting. Catch the liquid from defrosting and dispose of it carefully.

**Fruit** should be defrosted at room temperature in its packaging, or in a covered bowl.

**Most vegetables** can be cooked while still frozen. Just put straight into boiling water or hot fat. The cooking time is slightly less than that of fresh vegetables due to changes in the cell structure.

⚠ Never re-freeze partially or fully defrosted food. Defrosted food may only be re-frozen after it has been cooked.

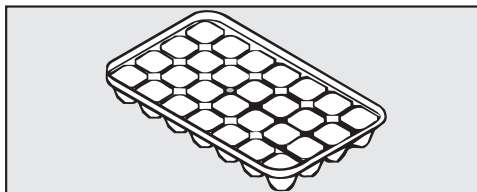
## Cooling drinks

- To cool drinks quickly, place them in the refrigerator section, and switch on the Super cool function.

When cooling drinks quickly in the freezer compartment, make sure bottles are **not left in for more than one hour**; otherwise they could burst.

## Using accessories

### Ice cubes



- Fill the ice cube tray three quarters full of water and place it on the bottom of the freezer compartment.
- Once frozen, use a blunt instrument, for example a spoon handle, to remove the ice tray from the freezer if it is stuck.

**Tip:** Ice cubes can be removed easily from the tray by twisting the tray gently or by holding it under cold running water for a short time.

# Defrosting

## Refrigerator section

The refrigerator section defrosts automatically.

Condensate and frost can build up on the back wall of the refrigerator section whilst the compressor is running. You do not need to remove this, as it will defrost and evaporate automatically with the warmth generated by the compressor.

The condensate is drained away through a channel and drain hole, then fed into an evaporation system at the back of the appliance.



Condensate must be able to drain away unhindered at all times. Keep the condensate channel and drain hole clean to enable this.

## Freezer compartment

The freezer compartment does not defrost automatically.

In normal use, ice and frost will form in the freezer compartment, e.g. on the internal walls. How much ice and frost accumulates in the appliance will depend on the following:

- whether the freezer compartment door has been opened frequently or left open for a while.
- whether a large quantity of food has been placed in the freezer at once.
- whether the humidity in the room has increased.

In certain circumstances, too thick a layer of ice can prevent the freezer compartment door from closing prop-

erly. Too thick a layer of ice also reduces efficiency and increases energy consumption.

- The freezer compartment should be defrosted from time to time. It must be defrosted if a layer of ice approx. 0.5 cm thick has accumulated.

The best time to defrost the freezer compartment is when:

- there is very little or no food left in the appliance,
- the humidity level in the room is low and the ambient temperature in the room is also low.

Do not scrape off ice and frost.

Do not use any sharp edged or pointed instruments to aid the defrosting process.

This would damage the evaporator, causing irreversible damage to the appliance.

## Before defrosting

- Remove the frozen food from the freezer compartment and wrap it in several layers of newspaper or cloths.

**Tip:** You could also place the frozen food in a cool box or bag.

- Store it in a cool place until the freezer compartment is ready for use again.

## To defrost

Carry out the defrosting procedure as quickly as possible. The longer the food is left out at room temperature, the faster it defrosts.

Do not use a steam-cleaning appliance to aid the defrosting process. Steam could reach electrical components and cause a short circuit.

Do not place electric heaters or candles in the appliance to defrost it. These can damage the plastic parts.

Do not use defrosting sprays or de-icers, as they could contain substances which could damage the plastic parts or which might cause the build-up of gases and pose a danger to health.

- Switch the appliance off.
- Disconnect it from the mains.
- Leave the freezer compartment door open.

To speed up defrosting, a bowl of hot water (not boiling) can be placed on a saucer in the freezer compartment. Closing the door in this instance will help retain the warmth and speed up the defrosting process.

- Remove any pieces of ice which have become loose

Ensure that water does not get into the surrounding cabinetry.


- Use a sponge or towel to soak up the water as often as necessary.


## After defrosting

- Clean the appliance and then dry it thoroughly.  
Do not let water get into the condensate channel and drain hole.
- Reconnect to the mains and switch the appliance back on.
- Once the temperature in the freezer compartment has reached the required temperature, place the food back into the freezer compartment.

## Cleaning and care

---

 Do not let water get into the electronic unit or the lighting.

 Steam from a steam cleaning appliance could reach the electrical components and cause a short circuit.

Do not use a steam cleaning appliance to clean the appliance.

Cleaning water must not get into the drain hole.

The data plate located inside the appliance must not be removed. It contains information which is required in the event of a service call.

### Cleaning agents

Cleaning and conditioning agents used inside the appliance must be food safe.

To avoid damaging all the surfaces of your appliance, **do not use:**

- cleaning agents containing soda, ammonia, acids or chlorides
- cleaning agents containing descaling agents
- abrasive cleaning agents, e.g. powder cleaners and cream cleaners
- solvent-based cleaning agents
- stainless steel cleaning agents
- dishwasher cleaner
- oven sprays
- glass cleaning agents
- hard, abrasive sponges and brushes, e.g. pot scourers
- melamine eraser blocks
- sharp metal scrapers

We recommend using a clean sponge, lukewarm water with a little washing-up liquid to clean surfaces of the appliance.

The following pages contain important information on cleaning.

### Preparing the appliance for cleaning

- Switch the appliance off.

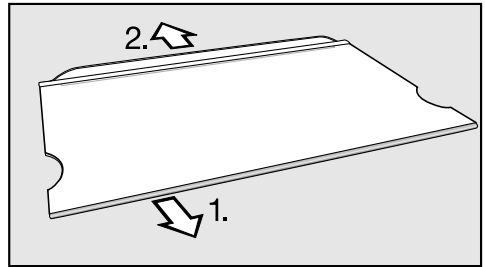
The display goes out and cooling is switched off.

If this does not happen, then the safety lock is still activated (see “Selecting further settings - Activating or deactivating the safety lock”).

- Disconnect it from the mains.
- Take any food out of the appliance and store it in a cool place.
- Defrost the freezer compartment (see “Defrosting”, section “Freezer compartment”).
- Remove the shelves and bottle shelf from the door.
- Take out all other removable parts for cleaning.

### Adjustable shelf

- Place the shelf on a worktop covered with a soft material (e.g. a tea towel).



- Remove the trim:
  1. Pull the stainless steel trim off the shelf beginning at one side.
  2. Then pull the protective strip off.
- After cleaning the shelf reattach the trim and the protective strip.

## Cleaning and care


---

### Cleaning the interior and accessories

Clean the appliance at least once a month.

Remove soiling immediately to prevent it from drying on.


- Clean the **interior** with a clean sponge, lukewarm water and a little washing-up liquid.
- After cleaning, wipe with clean water and dry with a soft cloth.

 The stainless steel parts on the shelves are not dishwasher safe. Remove the trim before placing the shelves in the dishwasher.

The following parts **cannot be cleaned in a dishwasher**:

- the stainless steel trim
- the fruit and vegetable drawer
- These accessories should all be hand washed.

The following parts **are suitable** for cleaning in a dishwasher:


 The maximum temperature of the dishwashing programme selected must not exceed 55 °C.

Contact with natural dyes e.g. from carrots, tomatoes and ketchup may discolour the plastic parts in the dishwasher. This discolouration does not affect the stability of the parts.

- the bottle holder, egg tray, ice cube tray (depending on model)
- the shelves and bottle shelf in the door
- the adjustable shelves (with the trim/strips removed and without the printing)
- the holder for the charcoal filter (available as an optional accessory)
- Clean the condensate channel and drain hole frequently so that condensate can drain away unhindered. Use a straw or similar to clear the drain if necessary.
- Leave the door open to air the appliance for a short while and to prevent odours building up.



## Cleaning the door seals

 If a door seal is damaged or if it has come out of the groove, the door will not close properly and cooling performance will be reduced.

Condensate will build up in the interior and this can cause a build-up of ice.

Do not damage door seals and ensure that they do not come out of their groove.

Do not use any grease or oil on door seals as these will cause them to deteriorate and become porous over time.


- Door seals should be cleaned regularly with clean water, and then wiped dry with a soft cloth.

## Cleaning the ventilation gaps

A build-up of dust will increase the energy consumption of the appliance.

- The ventilation gaps should be cleaned on a regular basis with a brush or vacuum cleaner (e.g. use the dusting brush for Miele vacuum cleaners)

## Clean the compressor at the back of the appliance

 When cleaning the compressor, make sure that cables and other components do not get ripped off, kinked or damaged in any way.

Dust the compressor at the back of the refrigeration appliance at least once a year. A build-up of dust will increase the energy consumption of the appliance.

## After cleaning

- Replace all shelves and accessories in the appliance.
- Reconnect to the mains and switch the appliance back on.
- Switch on the Super cool function for a while so that the refrigerator section can cool down quickly.
- Place food in the refrigerator section and close the door.
- Place food in the freezer compartment when it is cold enough and close the appliance door.

## Cleaning and care

### Replacing the charcoal filters

Charcoal filters and a KKF-FF (Active AirClean) holder are available as optional accessories (see “Accessories - optional accessories”).

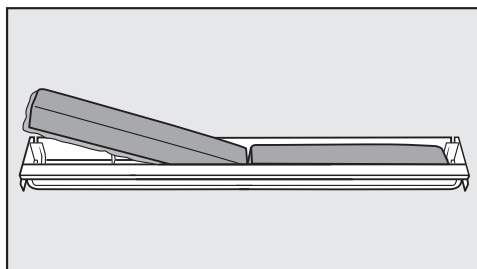
Replace the charcoal filters in the holder every 6 months.

Replacement KKF-RF charcoal filters can be obtained from your Miele dealer, Miele or via the internet at [www.miele-shop.com](http://www.miele-shop.com).

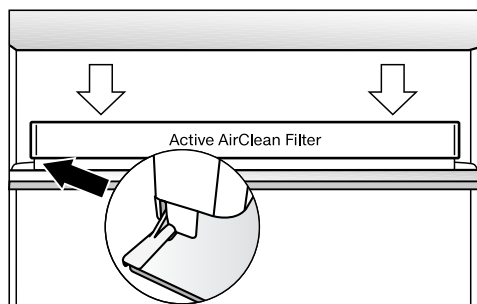
**Tip:** The charcoal filter holder is dishwasher-proof.

- Pull the charcoal filter holder upwards to remove it from the shelf.

When in position the charcoal filters must not touch the back wall of the appliance as the moisture could cause them to stick to the back wall. Insert the new charcoal filters into the holder so that they do not protrude over the edge of the holder.



- Remove both charcoal filters and place the new filters with the framed edge pointing downwards in the holder.





- Place the holder in the middle of the raised edge at the back of the shelf, so that it clicks into position.

# Problem solving guide

Many malfunctions and faults that can occur in daily operation can be easily remedied. Time and money will be saved because a service call will not be needed.

The following guide may help you to find the reason for a malfunction or a fault, and to correct it.

To prevent unnecessary loss of temperature it is advisable not to open the door while waiting for the appliance to be serviced.

Problem	Cause and remedy
<p><b>The appliance is not getting cold, the interior lighting does not come on when the door is opened, and the display is not lit up.</b></p>	<p>The appliance is not switched on and the mains connection symbol  is lit up in the display.</p> <ul style="list-style-type: none"> <li>■ Switch the appliance on.</li> </ul>
	<p>The plug is not inserted in the socket correctly.</p> <ul style="list-style-type: none"> <li>■ Insert the plug correctly into the socket. The mains connection symbol  appears in the display when the appliance is switched off.</li> </ul>
	<p>Check whether the mains fuse has tripped. There could be a fault with the appliance, the household electrical wiring or another electrical appliance.</p> <ul style="list-style-type: none"> <li>■ Contact a qualified electrician or Miele.</li> </ul>
<p><b>The compressor is switching on more frequently and for longer periods of time. The temperature in the appliance is too low.</b></p>	<p>The ventilation gaps have been covered or become too dusty.</p> <ul style="list-style-type: none"> <li>■ Do not block the ventilation gaps.</li> <li>■ Dust the ventilation gaps regularly.</li> </ul>
	<p>The appliance door and the freezer compartment door have been opened too frequently, or a large amount of fresh food has been placed in the appliance and/or frozen at the same time.</p> <ul style="list-style-type: none"> <li>■ Only open the appliance door or freezer compartment door when necessary and for as short a time as possible.</li> </ul> <p>The required temperature will re-establish itself after a while.</p>
	<p>The appliance door and/or the freezer compartment door is not closed correctly.</p> <p>A thick layer of ice may have already formed in the freezer compartment.</p> <ul style="list-style-type: none"> <li>■ Close the appliance doors.</li> </ul>

## Problem solving guide

Problem	Cause and remedy
	<p>The required temperature will re-establish itself after a while.</p> <p>If a thick layer of ice has formed, it will reduce efficiency and increase the energy consumption.</p> <ul style="list-style-type: none"> <li>■ Defrost the freezer compartment and clean it.</li> </ul> <p>The ambient room temperature is too high. The higher the room temperature, the longer the compressor will run for.</p> <ul style="list-style-type: none"> <li>■ See the information in “Installation – ”Location“.</li> </ul> <p>The temperature setting is too low.</p> <ul style="list-style-type: none"> <li>■ Adjust the temperature.</li> </ul> <p>A large amount of food is being frozen at once.</p> <ul style="list-style-type: none"> <li>■ See “Freezing and storing food”.</li> </ul> <p>The Super cool function is still switched on.</p> <ul style="list-style-type: none"> <li>■ You can switch off the Super cool function earlier to save energy.</li> </ul>
<p><b>The compressor comes on less and less often and for shorter periods of time.</b></p>	<p>Not a fault. The temperature is too high.</p> <ul style="list-style-type: none"> <li>■ Adjust the temperature.</li> <li>■ Check the temperature again after 24 hours.</li> </ul> <p>The food begins to defrost.</p> <p>The room temperature is too low for this appliance. If the room temperature is too low, the compressor will run less frequently. This may cause the freezer to become too warm.</p> <ul style="list-style-type: none"> <li>■ See the information in “Installation – ”Location“.</li> <li>■ Increase the temperature of the room.</li> </ul>
<p><b>A buzzer is sounding.</b></p>	<p>The <b>door alarm</b> has been activated (also see “Door alarm”).</p> <ul style="list-style-type: none"> <li>■ Close the appliance door.</li> </ul> <p>The alarm will stop.</p>
<p><b>The door seal is damaged and needs to be replaced.</b></p>	<p>No tools are required to change the door seal.</p> <ul style="list-style-type: none"> <li>■ Change the door seal. A replacement is available from Miele or from specialist retailers.</li> </ul>



## Problem solving guide

Problem	Cause and remedy
<p><b>Ice or condensation has built up inside the appliance.</b></p>	<p>The door seal has come out of its groove.</p> <ul style="list-style-type: none"> <li>■ Check that the door seal is correctly seated in the groove.</li> </ul>
	<p>The door seal is damaged.</p> <ul style="list-style-type: none"> <li>■ Check whether the door seal is damaged.</li> </ul>
<p><b>An LED indicator light is flashing at the back of the appliance at the bottom near the compressor (depending on model). The electronic unit for the compressor is equipped with an operation and fault diagnosis LED indicator light.</b></p>	<p>The indicator light flashes several times every 5 seconds. A fault has occurred.</p> <ul style="list-style-type: none"> <li>■ Call Service.</li> </ul>
	<p>The indicator light flashes regularly every 15 seconds. This is not a fault. This flashing is normal.</p>



# Problem solving guide

---

## Display warnings

Message	Cause and remedy
<b>The  symbol lights up in the display, the appliance does not get cold, although the controls and the interior lighting are working.</b>	Demo mode is switched on. This allows the appliance to be presented in the showroom without the cooling system being switched on. Do not activate this setting for domestic use. <ul style="list-style-type: none"><li>■ Contact the Miele Service Department for information on deactivating Demo mode.</li></ul>
<b>“F0 to F9” appears in the display.</b>	There is a fault. <ul style="list-style-type: none"><li>■ Call the Miele Service Department.</li></ul>
<b>The  symbol lights up in the display. You cannot switch the appliance off.</b>	The <b>safety lock</b> has been activated. <ul style="list-style-type: none"><li>■ Completely deactivate the safety lock (see “Selecting further settings – Activating and deactivating the safety lock”).</li></ul>

## The interior lighting is not working.

Problem	Cause and remedy
<b>The interior lighting is not working.</b>	<p>The appliance has not been switched on.</p> <ul style="list-style-type: none"><li>■ Switch the appliance on.</li></ul>
	<p>To avoid overheating, the lighting switches itself off automatically after approx. 15 minutes if the door is left open. If this is not the case, then there is a fault.</p>
	<div data-bbox="404 432 1042 624" style="border: 1px solid gray; padding: 5px;"><p> <b>Danger of electric shock.</b> There are live electrical components under the lighting cover. The LED lighting may only be repaired or replaced by a Miele authorised service technician.</p></div> <div data-bbox="404 639 1042 922" style="border: 1px solid gray; padding: 5px;"><p> <b>Danger of injury from LED lighting.</b> Light intensity corresponds to laser beam class 1/1M. The lighting covers must not be removed or damaged, or be removed due to damage. This could cause injury to your eyes. Do not look into the LED lighting (laser beam class 1/1M) with optical instruments (e.g. magnifying glass or similar).</p></div> <ul style="list-style-type: none"><li>■ Call the Miele Service Department.</li></ul>

# Problem solving guide

---

## Other problems

Problem	Cause and remedy
<b>The floor of the refrigerator section is wet.</b>	The condensate drain hole is blocked. ■ Clean the condensate channel and drain hole.
<b>Food has frozen together.</b>	The food packaging was not dry when placed in the freezer. ■ Use a blunt instrument, e.g. a spoon handle or plastic scraper, to prise it apart carefully.
<b>The external walls of the appliance feel warm.</b>	This is not a fault. The warmth created by the evaporator is used to prevent condensation.



Normal noises	What causes them
<b>Brrrrr ...</b>	A humming noise is made by the motor (compressor). This noise can get louder for brief periods when the motor switches on.
<b>Blubb, blubb ...</b>	A gurgling noise can be heard when coolant is circulating through the pipes.
<b>Click ...</b>	Clicking sounds are made when the thermostat switches the motor on and off.
<b>Crack ...</b>	A cracking sound can be heard when materials expand inside the appliance.
Remember that the noise of the compressor and the coolant circulating in the system is unavoidable.	

Noises	Cause and remedy
<b>Rattling, vibrating</b>	The appliance is uneven. Realign the appliance using a spirit level. Do so by raising or lowering the screw feet underneath the appliance or place something underneath it.
	The appliance is touching another appliance or piece of furniture. Move it away.
	Drawers or shelves are unstable or sticking. Check all removable items and refit them correctly.
	Bottles or containers are touching each other. Separate them.
	The transport cable clips are hanging loose at the back of the appliance. Remove them.

## After sales service

---

### Contact in case of malfunction

In the event of any faults which you cannot remedy yourself, please contact your Miele Dealer or Miele Service.

Contact information for Miele Service can be found at the end of this document.

Please note that telephone calls may be monitored and recorded for training purposes and that a call-out charge will be applied to service visits where the problem could have been resolved as described in this booklet.

Please quote the model and serial number of your appliance when contacting Miele. This information can be found on the data plate.

The data plate can be found inside the appliance.

### Warranty

The appliance warranty is valid for 2 years from date of purchase. In the UK, you must activate your cover by calling 0330 160 6640 or registering online at [www.miele.co.uk](http://www.miele.co.uk).

For more information on country-specific warranty terms and conditions, please contact Miele Customer Service.

The appliance is supplied with a power cable and moulded plug ready for connection to an AC 230 V 50 Hz supply.

The fuse rating must be at least 10 A (13 A in the UK).

This appliance must be connected to a suitable switched socket which is easily accessible. The electrical connection must comply with current local and national safety regulations (BS 7671 in the UK).

The accessibility of the plug must always be ensured in order to be able to quickly separate the appliance from the mains.

If the mains socket is not accessible after the appliance has been built in, a separator for each terminal must be present. There must be an all-pole contact gap of at least 3 mm in the switch (including switch, fuses and relays according to EN 60335).

The plug and mains connection cable must not come into contact with the back of the appliance as vibrations can cause damage to these components. This, in turn, could result in a short circuit.

Do not plug in other appliances behind this appliance.

Do not connect the appliance to the mains electricity supply by an extension lead. Extension leads do not guarantee the required safety of the appliance (e.g. danger of overheating).

Do not connect the appliance to an inverter such as those used with an autonomous energy source e.g. **solar power**. When switched on, peak loads in the system can cause the safety switch-off mechanism to be triggered. This can damage the electronic unit. The appliance must not be used with so-called **energy-saving devices** either. These reduce the amount of energy supplied to the appliance, causing it to overheat.

If the mains cable needs to be replaced this must be done by a suitably qualified person.

# Installation

---

This appliance must be built in, otherwise it could tip up.

Keep the appliance door(s) shut until the appliance has been built in and secured in its housing in accordance with these operating and installation instructions.



**Fire risk and danger of damage!**  
This appliance must not be installed underneath a hob.

## Side-by-side combinations

As a general rule, refrigerators and freezers should not be installed side-by-side with other such appliances so as to avoid a build-up of condensation between them and the damage this can cause.

Your refrigeration appliance must not be installed “side-by-side” because it is not equipped with built-in heating units in the side panels.

This refrigeration appliance can, however, be installed next to certain models that are equipped with integrated heating in their side wall, as long as they are installed in separate building-in niches. The refrigeration appliance must be installed to the left of the freezer.

Please contact your dealer for specific information about which combinations will work with your appliance.


## Location

This appliance should be installed in a dry, well-ventilated room.

When deciding where to install your refrigeration appliance please bear in mind that it will use more energy if installed near to a heater, a cooker or other appliance that gives off heat. Direct sunlight should also be avoided. The higher the room temperature, the longer the compressor runs and the higher the energy consumption is.

When installing the appliance, please note:

- The socket must be easily accessible in an emergency, not concealed behind the appliance.
- The plug and cable must not touch the rear of the appliance as they could be damaged by vibrations from the appliance.
- Do not plug in other appliances behind this appliance.

 Risk of damage!

**In environments with high humidity** condensation can build up on the external appliance panels. Condensate can cause corrosion on external appliance panels.

For prevention, it is advisable to install the appliance where there is sufficient ventilation in a dry and/or air conditioned room.

After installation please make sure that the appliance door closes properly, the specified ventilation gaps are adhered to and that the appliance is installed in accordance with these installation instructions.


## Climate range

The appliance is designed for use within a certain climate range (ambient temperatures) and should not be used outside this range. The climate range of the appliance is stated on the data plate inside the appliance.

Climate range	Ambient room temperature
SN	+10 to +32 °C
N	+16 to +32 °C
ST	+16 to +38 °C
T	+16 to +43 °C

Operating in a room which is too cold will cause the compressor to switch off for too long, causing the internal temperature in the appliance to rise with the risk of food deteriorating and going off.

## Ventilation

 If the ventilation gaps given are not observed, the compressor will run more frequently and for longer periods.

This will result in increased energy consumption and a higher operating temperature for the compressor. This may, in turn, cause damage to the compressor.

It is essential to observe the ventilation gaps given (see “Building-in dimensions”).

Ventilation takes place through a ventilation grille in the appliance plinth.

The air inlet and outlet must not be covered or blocked in any way. They must also be regularly cleaned of dust.

# Installation

## Furniture door panel

### Gap

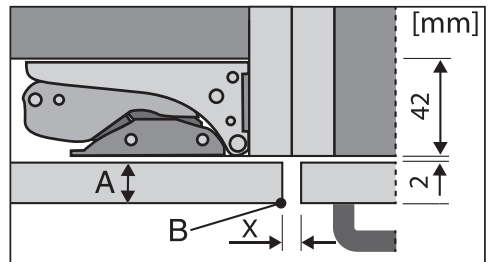
Depending on the style of kitchen furniture, the thickness and edge radius of the furniture door and the gap that runs around the door, vertically and horizontally, are specified.

It is essential to pay attention to the following!

If the gap between the appliance furniture door and the adjoining housing unit door or wall on the hinged side is too small, the appliance door could collide with the adjoining housing unit door or wall when opened. It may be necessary to adjust the size of this gap to suit the thickness and edge radius of the appliance furniture door.

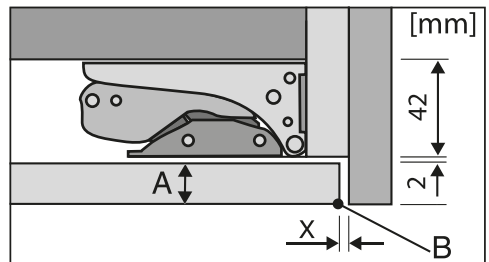
This must be taken into consideration when planning your kitchen and when replacing an old appliance with a new one to ensure the installation conditions required are met.

Appliance furniture door thickness <b>A</b> [mm]	Gap <b>X</b> [mm] for different edge radii <b>B</b>			
	R0	R1.2	R2	R3
≥16 - 19	Min. 3			
20	5	4	4	3.5
21	5.5	5	4.5	4
22	6.5	6	5.5	5



Adjoining kitchen furniture front

- A = Furniture front thickness
- B = Edge radius
- X = Gap



Adjoining side wall

- A = Furniture front thickness
- B = Edge radius
- X = Gap

**Tip:** Fit a spacer between the housing unit carcass and the side wall. This way you will get a sufficiently wide gap.

## Weight of the furniture door

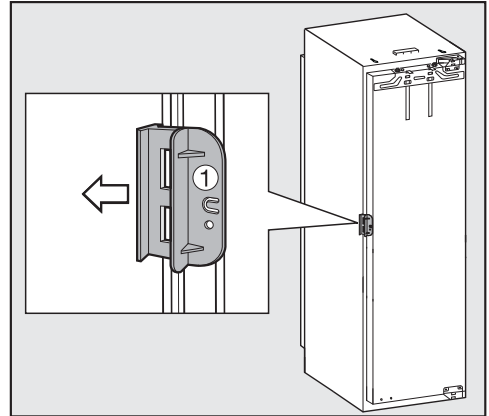
Fitting a door front which is heavier than the maximum permitted could damage the hinges. This can cause subsequent functional problems.

Before fitting a furniture door, ensure that the weight of the door does not exceed the maximum permitted:

Appliance	Maximum weight of furniture door in kg
K 31222 Ui	10 kg
K 31242 UIF	10 kg

## Before installing the appliance

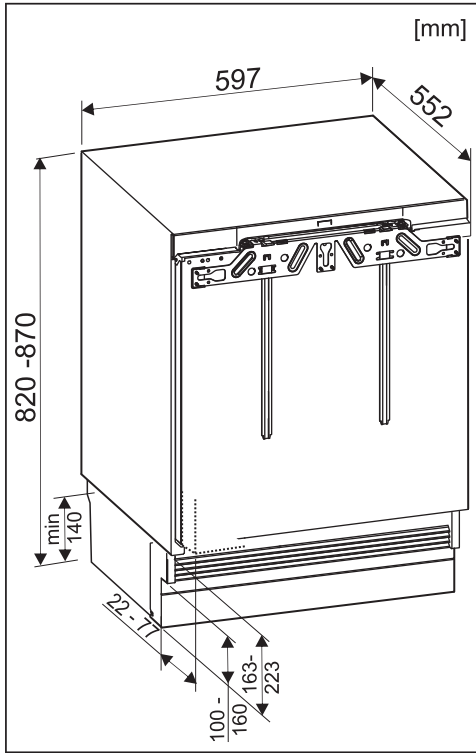
- Take the accessory pack which includes installation parts and other accessories out of the appliance.
- Remove the cable clip from the back of the appliance.



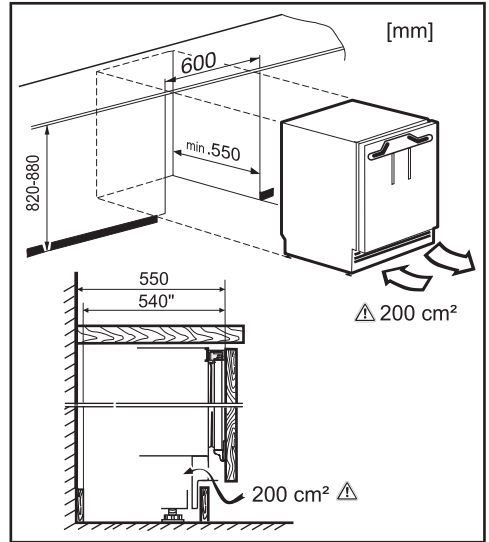
- Open the appliance door and remove the red safety catch ① (depending on model).

# Installation

## Building-in dimensions



Appliance dimensions



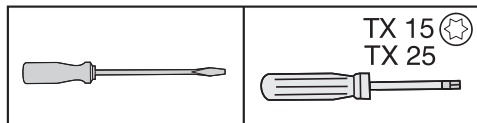
Dimensions for ventilation



## Changing the door hinging

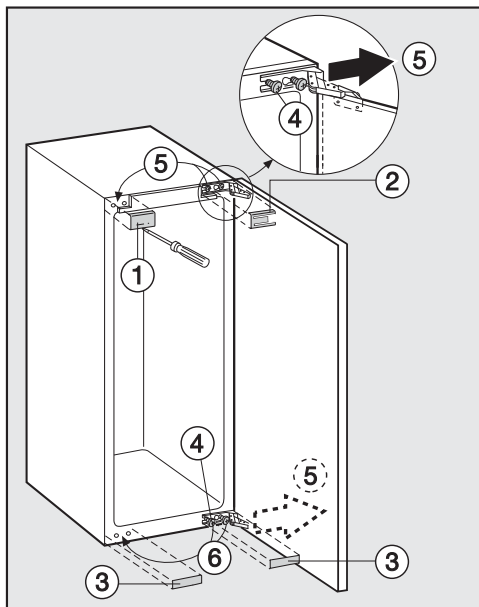
Before building the appliance in, you will need to decide on which side the door is to be hinged. If left hand hinging is required, follow the instructions below.

**To change the door hinging, you will need the following tools:**



### Appliance door

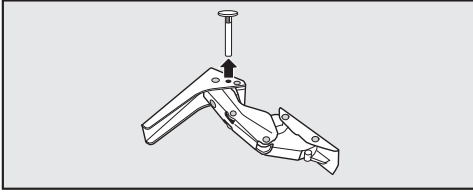
- Open the appliance door.



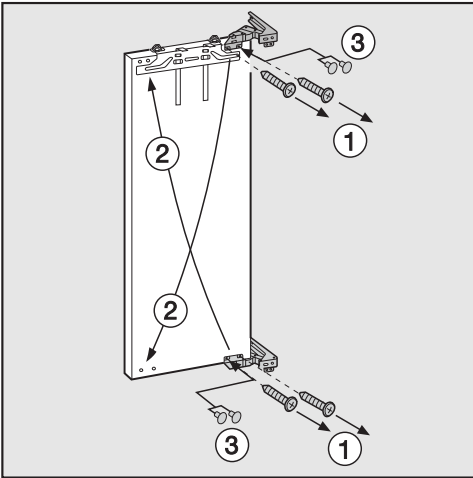
- Remove covers ①, ② and ③ with a screwdriver.
- Loosen fixing screws ④ slightly.
- Push the appliance door outwards, take it off its hinges ⑤ and place it to one side.
- Now remove fixing screws ④ completely and screw them loosely into position at the top ⑤ and bottom ⑥ on the opposite side.  
Use a power screwdriver to secure the hinges. The screws are self-tapping.

If you have put locking pins into the hinges to stop the door opening too far:


# Changing the door hinging



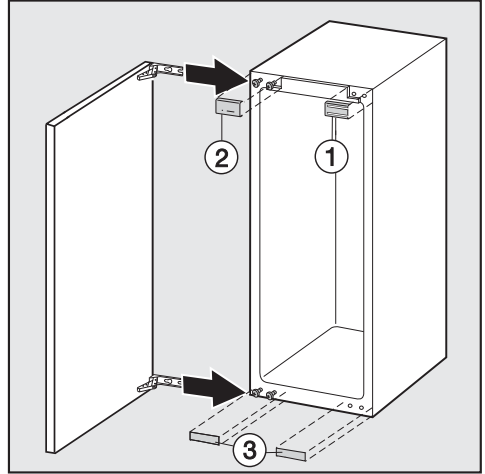
- Remove the locking pins from the top of the hinges.



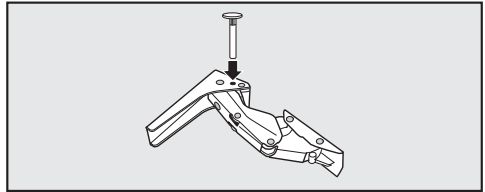
- Remove screws ① and plug the empty holes with the stoppers supplied ③.

 **Danger of injury.**  
**Do not** close the hinges.

- Refit the hinges on the diagonally opposite side of the door ②.  
Use a power screwdriver to secure the hinges. The screws ① are self-tapping.



- Hang appliance door onto pre-fitted screws, and tighten screws securely.
- Replace covers ①, ② and ③.



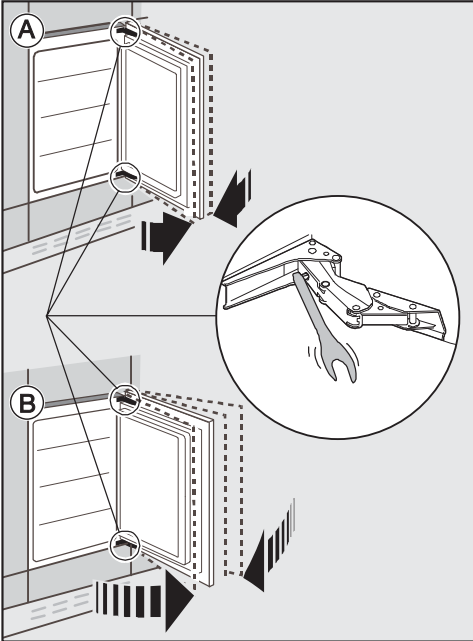
- If required refit the locking pins into the top of the hinges to prevent the doors opening too far.

# Adjusting the door hinges

## Adjusting the door hinges

If you would like the appliance door to be cushioned so that it opens more softly, the spring tension on the appliance door can be adjusted.

To do this, use an allen key to adjust the door hinges.



**A** To reduce the opening angle:

- Turn the Allen key clockwise.

This tightens the hinges and makes it harder to open the door wide.

**B** To open the door fully:

- Turn the Allen key anti-clockwise.

The hinge is looser, making it easier to open the door.

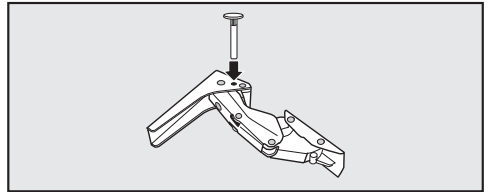
## Limiting the opening angle of the door

The door hinges are set ex works to enable the door to be opened wide.

However if the opening angle of the door needs to be limited for any reason, the hinge can be adjusted to accommodate this.

If the appliance door hits an adjacent wall when opened, for example, the opening angle can be limited to approx. 90°.

The locking pins for limiting the door opening must be fitted before the appliance is installed.





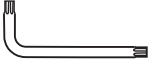






- Place the locking pins supplied for limiting the door opening into the hinges from above.

The door opening angle is now limited to approx. 90°.

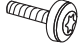
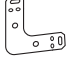
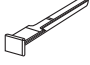

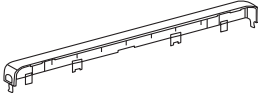
# Installing the appliance

To install the appliance, you will need the following tools:

TX 15, TX 20 		13
TX 15 		6
8		
		
		

## Parts required for installation

All installation parts are number coded. This coding is also used in the installation instructions.

		
16x	2x	2x
		
1x	1x	

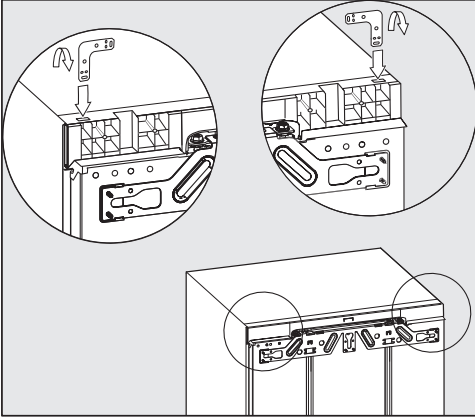
## Preparing the appliance

- Position the refrigeration appliance in front of the niche.
- Hold the plinth facing at the side and pull it forwards and off.

You have a choice of two different ways of securing your appliance:

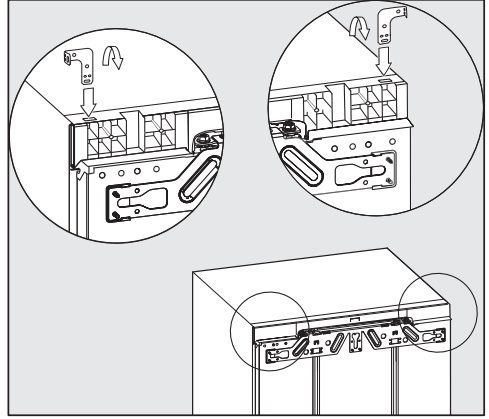
1. Secured at the top  
This method is suitable for securing the appliance underneath a worktop, e.g. a laminated one). The worktop must be suitable for screwing a bracket on to.  
With the appliance feet fully extended the appliance should sit lightly tensioned between the floor and the worktop.
2. Secured at the side  
This method is suitable for securing the appliance underneath a solid worktop, e.g. a granite one). The furniture side walls to the right and left of the refrigeration appliance must be suitable for screwing brackets to.  
With the feet fully extended the refrigeration appliance will sit lower than the worktop.

## Installing the appliance



### 1. Secured at the top

- Fit the bracket in the aperture in the appliance lid.
- Bend the bracket at the perforated position.



### 2. Secured at the side

Both ends of the bracket must be bent.

- Fit the bracket in the aperture in the appliance lid.
- Bend the bracket at the perforated position.
- Remove the bracket from the aperture and insert the straight end of the bracket.
- Now bend this end of the bracket at the perforated position.

# Installing the appliance

## Positioning the appliance

⚠ When pushing the appliance into its niche make sure that the mains cable does not get trapped.

⚠ Move the appliance carefully on floors that are sensitive to scratching to prevent damage.

⚠ The appliance feet can break off. The feet should be almost fully screwed in when you push the appliance into the niche.

**Tip:** Before pushing the appliance into the niche the two rear feet should be loosened by half a turn. After pushing it into the niche the feet will be easier to adjust from the front (see “Aligning the appliance”).

- Position the mains electricity cable so that the appliance can be connected easily once installed.

**Tip:** To help you push it into position, tie a piece of string around the plug to “increase” the length of the connection cable.

Then pull the cable by the end of the string through the housing unit.

If the appliance is pushed too far into the niche, the door may not close properly once the furniture panel has been fitted. This can cause ice to build up, condensate to accumulate and lead to faults in the appliance. These can all lead to increased energy consumption.

Push the appliance into the building-in niche making sure a gap of **42 mm** is maintained all round between the appliance carcass and the front of the housing unit side walls.

- Push the appliance into the niche until the front edges of the hinges at the top and bottom are flush with the front edge of the housing unit side wall.

This will create a gap all round of **42 mm** to the front edges of the housing unit side walls.

# Installing the appliance

**On furniture with door fittings (e.g. stubs, seals etc.)** the dimension of these must be taken into account when making sure there is a gap all round of **42 mm**.

- Pull the appliance forwards by the appropriate dimension.
- Check again, to make sure there is a gap of **42 mm** to the front edges of the door fittings.

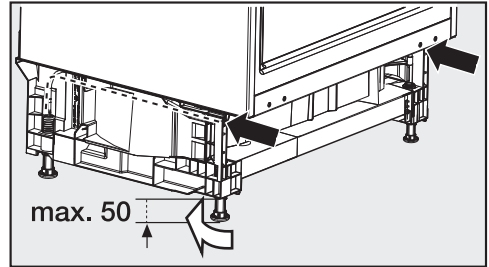
**Tip:** If possible, remove door fittings and push the appliance into the niche until all fixing brackets at the top and bottom are in line with the front edge of the housing unit side wall.

## Aligning the appliance

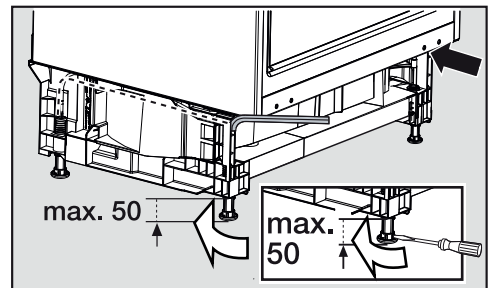
When securing the appliance in the niche at the top, the appliance should sit lightly tensioned between the floor and the worktop.

- Adjust the front and rear feet alternately according to the height of the niche and make sure the appliance is correctly aligned.

### Proceed as follows:




- Adjust both rear feet with appropriate screws at the front right and left in the appliance plinth using a flat bladed screwdriver.

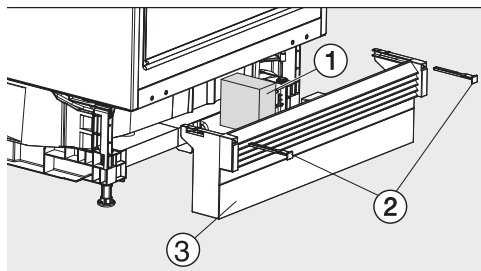


- Use an Allen key to unscrew both front feet.

**Tip:** As soon as the feet have been unscrewed slightly, you can adjust them with a screwdriver at the bottom of the foot (see small illustration).

## Installing the appliance

 The foam ① ensures the airflow is separated to prevent malfunctioning of the appliance.



- Insert the piece of foam ① supplied.
- Refit plinth facing ③, but do not secure it in position yet.

### Without a continuous plinth facing:

- Pull the plinth facing ③ forwards until the ventilation slats are in alignment with adjacent cabinet plinth facings.
- Hold the plinth facing securely and attach it to the right and left using the bolts supplied ②.

### With a continuous plinth facing:

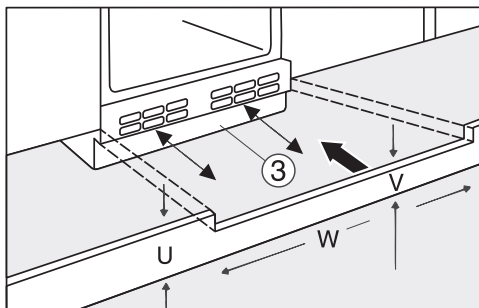
- Push the plinth facing ③ right up against the refrigeration appliance, and attach it to the right and left using bolts ②.

## Fitting a continuous furniture plinth facing

Ventilation takes place through a ventilation grille in the appliance plinth.

The ventilation grille must never be obstructed.

If a continuous plinth facing is to be fitted, a suitable ventilation gap will need to be made in it for the ventilation grille of the appliance:

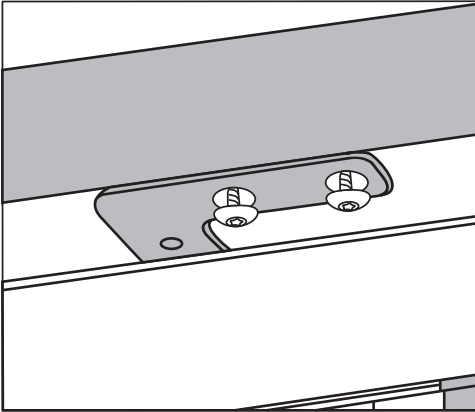


- Trim the furniture plinth facing (U) to the correct height.
- Adjust the height (V) along the niche width (W) underneath the appliance plinth facing ③.

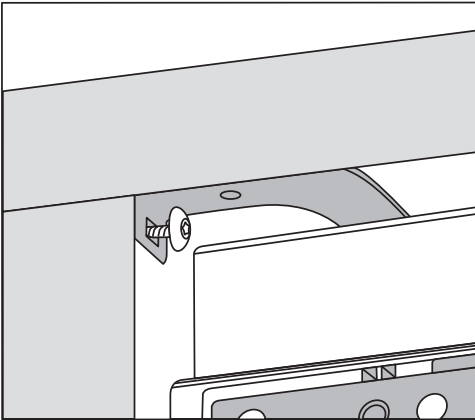


# Installing the appliance

## Securing the appliance in the niche



1. Secured at the top

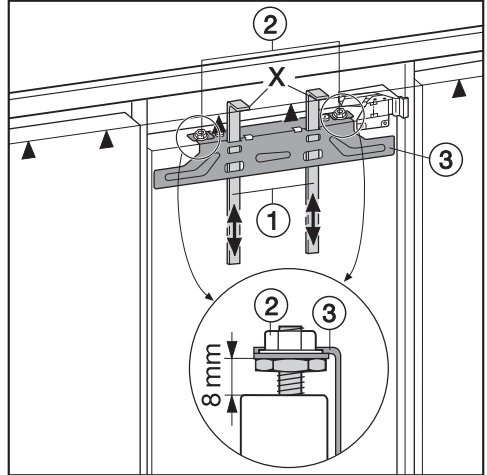


2. Secured at the side

- Screw the appliance into position on the right and the left.

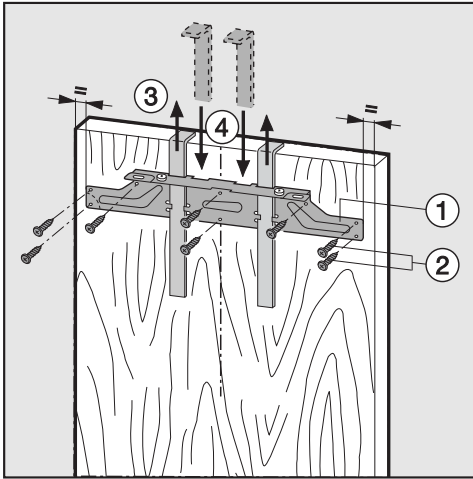
## Fitting the furniture door

Ensure that the plinth facing is refitted correctly.

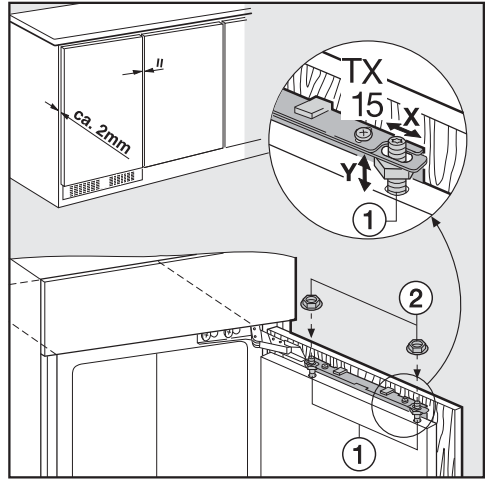


- A gap of 8 mm must be set between the appliance door and the fixing bracket.
- Push fitting aids ① up to the height of the furniture door: the lower edge X of the fitting aids must be at the same height as the upper edge of the furniture door being fitted (see ▲ on the diagram).
- Undo nuts ② and take fixing bracket ③ off together with the fitting aids .

# Installing the appliance

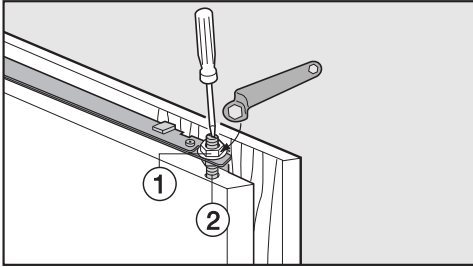


- Using a pencil, lightly mark a line down the centre of the inside of the furniture door .
- Hang fixing bracket with the fitting aids ① onto the **inside** of the furniture door. Align the fixing bracket centrally.
- Attach the fixing bracket securely using at least 6 short chipboard screws ② (4 x 14 mm). (On cassette doors only use 4 screws on the edges).
- Pull the fitting aids upwards to remove them ③.
- Turn them around and fit them into the middle slots on fixing bracket ④ for safe keeping.

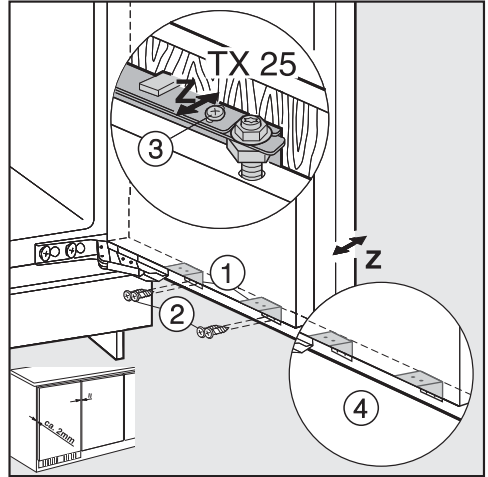


- Hang the furniture door onto adjusting bolts ①.
- Loosely attach nuts ② on the adjusting bolts.
- Close the door and check the distance between the door and neighbouring furniture doors.
- Align to match neighbouring doors if necessary:  
Side adjustments X are made by sliding the furniture door, and height adjustments Y by turning adjusting bolts ① with a screwdriver.

## Installing the appliance



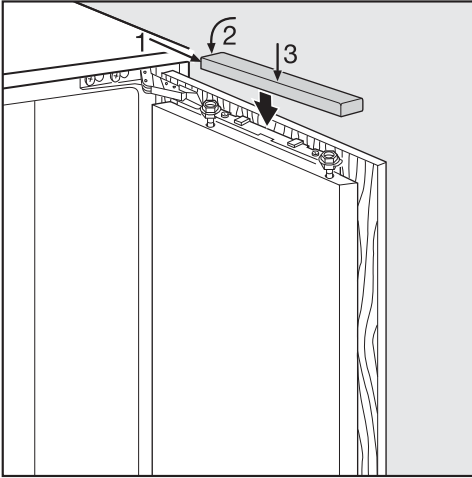
- Whilst counterholding adjusting bolts ② with a screwdriver, tighten nuts ① on the appliance door with screwdriver.



- Attach the appliance door and the furniture door using screws through fixing brackets ①:
  - Drill holes in the furniture door (mark the position of the holes first).
  - Screw in the short chipboard screws ② (4 x 14 mm).
- Align the furniture door along the depth plane Z: loosen the screws in the long slots at the top of the appliance door ③ as well as under the appliance door ④. By moving the furniture door, create a gap of 2 mm between the furniture door and the front edge of the niche. Align according to the adjacent furniture doors.
- Close the door, check it is secured correctly, and align it with adjacent furniture doors.
- Tighten all screws again.

# Installing the appliance

---



- Fit the cover in position.

## **To make sure the appliance is correctly fitted:**

- The door must close properly.
- The door must not touch the housing unit.
- The seal at the top edge of the handle side must fit properly.
- To double check place a torch in the appliance and close the door. Turn the lights out in the room. If you can see any light shining out from the sides double check the installation.





## United Kingdom

Miele Co. Ltd.  
Fairacres, Marcham Road  
Abingdon, Oxon, OX14 1TW  
Customer Contact Centre Tel: 0330 160 6600  
E-mail: mielecare@miele.co.uk  
Internet: www.miele.co.uk

## Australia

Miele Australia Pty. Ltd.  
ACN 005 635 398  
ABN 96 005 635 398  
1 Gilbert Park Drive  
Knoxfield, VIC 3180  
Tel: 1300 464 353  
Internet: www.miele.com.au

## China

Miele (Shanghai) Trading Ltd.  
1-3 Floor, No. 82 Shi Men Yi Road  
Jing' an District  
200040 Shanghai, PRC  
Tel: +86 21 6157 3500  
Fax: +86 21 6157 3511  
E-mail: info@miele.cn  
Internet: www.miele.cn

## Miele (Hong Kong) Limited

41/F - 4101, Manhattan Place  
23 Wang Tai Road  
Kowloon Bay, Hong Kong  
Tel: (852) 2610 1025  
Fax: (852) 3579 1404  
Email:  
customerservices@miele.com.hk  
Website: www.miele.hk

## India

Miele India Pvt. Ltd.  
Ground Floor  
Copia Corporate Suites  
Plot No. 9, Jasola  
New Delhi - 110025  
Tel: 011-46 900 000  
Fax: 011-46 900 001  
E-mail: customercare@miele.in  
Internet: www.miele.in

**Manufacturer:** Miele & Cie. KG, Carl-Miele-Straße 29, 33332 Gütersloh, Germany

# Miele

## Ireland

Miele Ireland Ltd.  
2024 Bianconi Avenue  
Citywest Business Campus  
Dublin 24  
Tel: (01) 461 07 10  
Fax: (01) 461 07 97  
E-Mail: info@miele.ie  
Internet: www.miele.ie

## Malaysia

Miele Sdn Bhd  
Suite 12-2, Level 12  
Menara Sapura Kencana  
Petroleum  
Solaris Dutamas No. 1  
Jalan Dutamas 1  
50480 Kuala Lumpur, Malaysia  
Phone: +603-6209-0288  
Fax: +603-6205-3768

## New Zealand

Miele New Zealand Limited  
IRD 98 463 631  
Level 2, 10 College Hill  
Freemans Bay, Auckland 1011  
New Zealand  
Tel: 0800 464 353  
Internet: www.miele.co.nz

## Singapore

Miele Pte. Ltd.  
163 Penang Road  
# 04 - 03 Winsland House II  
Singapore 238463  
Tel: +65 6735 1191  
Fax: +65 6735 1161  
E-Mail: info@miele.com.sg  
Internet: www.miele.sg

## South Africa

Miele (Pty) Ltd  
63 Peter Place, Bryanston 2194  
P.O. Box 69434, Bryanston 2021  
Tel: (011) 875 9000  
Fax: (011) 875 9035  
E-mail: info@miele.co.za  
Internet: www.miele.co.za

## Taiwan

K.E. & Kingstone Co., Ltd.  
6th Fl., No. 120, Sec. 2  
Jianguo N. Rd.  
Taipei, Taiwan  
TEL: +886 2 2502-7256  
FAX: +886 2 2502-3077  
E-mail: kenk@kenk.com.tw  
Website:  
www.kenk.com.tw/ke/miele

## Thailand

BHIRAJ TOWER at EmQuartier  
43rd Floor Unit 4301-4303  
689 Sukhumvit Road  
North Klongton Sub-District  
Vadhana District  
Bangkok 10110, Thailand

## United Arab Emirates

Miele Appliances Ltd.  
Gold & Diamond Park  
Office No. 6-217  
Sheikh Zayed Road  
P.O. Box 11 47 82 - Dubai  
Tel. +971 4 3044 999  
Fax. +971 4 3418 852  
800-MIELE (64353)  
E-Mail: info@miele.ae  
Website: www.miele.ae

K 31222 Ui, K 31242 UiF

en-GB

M.-Nr. 10 838 150 / 00