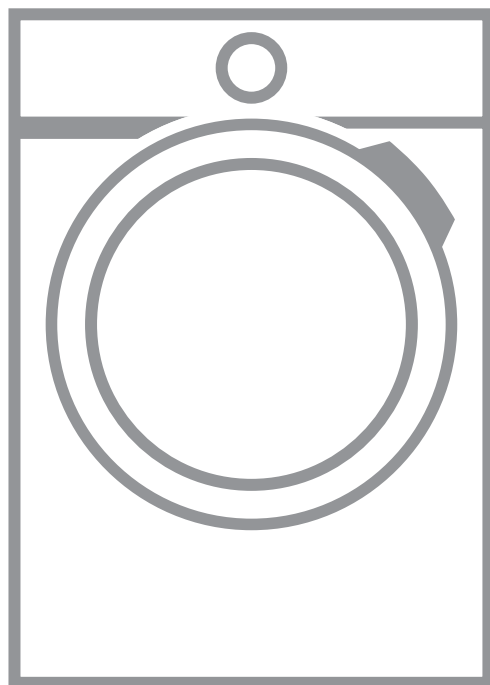


▶ L7FC8432BI

EN **User Manual**  
Washing Machine

# USER MANUAL



**AEG**

## CONTENTS

|                             |    |
|-----------------------------|----|
| 1. SAFETY INFORMATION.....  | 3  |
| 2. SAFETY INSTRUCTIONS..... | 4  |
| 3. INSTALLATION.....        | 6  |
| 4. PRODUCT DESCRIPTION..... | 16 |
| 5. CONTROL PANEL.....       | 17 |
| 6. DIAL AND BUTTONS.....    | 19 |
| 7. PROGRAMMES.....          | 22 |
| 8. SETTINGS.....            | 27 |
| 9. BEFORE FIRST USE.....    | 27 |
| 10. DAILY USE.....          | 27 |
| 11. HINTS AND TIPS.....     | 32 |
| 12. CARE AND CLEANING.....  | 33 |
| 13. TROUBLESHOOTING.....    | 38 |
| 14. CONSUMPTION VALUES..... | 42 |
| 15. TECHNICAL DATA.....     | 43 |

## FOR PERFECT RESULTS

Thank you for choosing this AEG product. We have created it to give you impeccable performance for many years, with innovative technologies that help make life simpler features you might not find on ordinary appliances. Please spend a few minutes reading to get the very best from it.

Visit our website for:



Get usage advice, brochures, trouble shooter, service information:  
**[www.aeg.com/webselfservice](http://www.aeg.com/webselfservice)**



Register your product for better service:  
**[www.registeraeg.com](http://www.registeraeg.com)**



Buy Accessories, Consumables and Original spare parts for your appliance:  
**[www.aeg.com/shop](http://www.aeg.com/shop)**

## CUSTOMER CARE AND SERVICE


Always use original spare parts.

When contacting our Authorised Service Centre, ensure that you have the following data available: Model, PNC, Serial Number.

The information can be found on the rating plate.

 Warning / Caution-Safety information

 General information and tips

 Environmental information

Subject to change without notice.

## 1. SAFETY INFORMATION

Before the installation and use of the appliance, carefully read the supplied instructions. The manufacturer is not responsible for any injuries or damages that are the result of incorrect installation or usage. Always keep the instructions in a safe and accessible location for future reference.

### 1.1 Children and vulnerable people safety

- This appliance can be used by children aged from 8 years and above and persons with reduced physical, sensory or mental capabilities or lack of experience and knowledge if they have been given supervision or instruction concerning the use of the appliance in a safe way and understand the hazards involved.
- Children between 3 and 8 years of age and persons with very extensive and complex disabilities shall be kept away unless continuously supervised.
- Children of less than 3 years of age should be kept away unless continuously supervised.
- Do not let children play with the appliance.
- Keep all packaging away from children and dispose of it appropriately.
- Keep detergents away from children.
- Keep children and pets away from the appliance when the door is open.
- If the appliance has a child safety device, it should be activated.
- Children shall not carry out cleaning and user maintenance of the appliance without supervision.

### 1.2 General Safety

- Do not change the specification of this appliance.
- This appliance is intended to be used in household and similar applications such as:
  - staff kitchen areas in shops, offices and other working environments;

- by clients in hotels, motels, bed & breakfast and other residential type environments;
- areas for communal use in blocks of flats or in laundrettes.
- Do not exceed the maximum load of 8 kg (refer to the "Programme chart" chapter).
- The operating water pressure at the water entry point from the outlet connection must be between 0.5 bar (0.05 MPa) and 8 bar (0.8 MPa).
- The ventilation opening in the base must not be covered by a carpet, mat, or any floor covering.
- The appliance must be connected to the water mains using the new supplied hose sets, or other new hose sets supplied by the Authorised Service Centre.
- Old hose sets must not be reused.
- If the mains power supply cable is damaged, it must be replaced by the manufacturer, its Authorised Service Centre or similarly qualified persons to avoid an electrical hazard.
- Before any maintenance operation, deactivate the appliance and disconnect the mains plug from the socket.
- Do not use high pressure water sprays and/or steam to clean the appliance.
- Clean the appliance with a moist cloth. Use only neutral detergents. Do not use abrasive products, abrasive cleaning pads, solvents or metal objects.

## 2. SAFETY INSTRUCTIONS

### 2.1 Installation



The installation must comply with relevant national regulations.

- Remove all the packaging and the transit bolts including rubber bush with plastic spacer.
- Keep the transit bolts in a safe place. If the appliance is to be moved in the future they must be reattached to lock the drum to prevent an internal damage.
- Always take care when moving the appliance as it is heavy. Always use safety gloves and enclosed footwear.
- Do not install or use a damaged appliance.
- Follow the installation instructions supplied with the appliance.
- Do not install or use the appliance where the temperature can be less than 0°C or where it is exposed to the weather.

- The floor area on which the appliance is to be installed must be flat, stable, heat resistant and clean.
- Make sure that there is air circulation between the appliance and the floor.
- When the appliance is in its permanent position, check if it is levelled correctly with the aid of a spirit level. If it is not, adjust the feet accordingly.
- Do not install the appliance directly above a floor drain.
- Do not spray water on the appliance and do not expose it to excessive humidity.
- Do not install the appliance where the appliance door cannot be fully opened.
- Do not put a closed container to collect possible water leakage under the appliance. Contact the Authorised Service Centre to ensure which accessories can be used.

## 2.2 Electrical connection



### **WARNING!**

Risk of fire and electric shock.

- The appliance must be earthed.
- Always use a correctly installed shockproof socket.
- Make sure that the parameters on the rating plate are compatible with the electrical ratings of the mains power supply.
- Do not use multi-plug adapters and extension cables.
- Make sure not to cause damage to the mains plug and to the mains cable. Should the mains cable need to be replaced, this must be carried out by our Authorised Service Centre.
- Connect the mains plug to the mains socket only at the end of the installation. Make sure that there is access to the mains plug after the installation.
- Do not touch the mains cable or the mains plug with wet hands.
- Do not pull the mains cable to disconnect the appliance. Always pull the mains plug.
- UK and Ireland only. This appliance is fitted with a 13 A mains plug. If it is

necessary to change the mains plug fuse, use only a 13 A ASTA (BS 1362) fuse.

- This appliance complies with the E.E.C. Directives.

## 2.3 Water connection

- Do not cause damage to the water hoses.
- Before connection to new pipes, pipes not used for a long time, where repair work has been carried out or new devices fitted (water meters, etc.), let the water flow until it is clean and clear.
- Ensure that there are no visible water leaks during and after the first use of the appliance.
- Do not use an extension hose if the inlet hose is too short. Contact the Authorised Service Centre for the replacement of the inlet hose.
- It is possible to see water flowing from the drain hose. This is due to the testing of the appliance with the use of water in the factory.
- You can extend the drain hose to maximum 400 cm. Contact the Authorised Service Centre for the other drain hose and the extension.

## 2.4 Use



### **WARNING!**

Risk of injury, electric shock, fire, burns or damage to the appliance.

- Follow the safety instructions on the detergent packaging.
- Do not put flammable products or items that are wet with flammable products in, near or on the appliance.
- Make sure that all metal objects are removed from the laundry.
- Do not wash fabrics which are heavily soiled with oil, grease or other greasy substances. It can damage rubber parts of the washing machine. Prewash such fabrics by hand before loading them into the washing machine.
- Do not touch the glass door while a programme is in operation. The glass can get hot.

### 2.5 Service

- To repair the appliance contact an Authorised Service Centre.
- Use original spare parts only.

### 2.6 Disposal



**WARNING!**  
Risk of injury or suffocation.

- Disconnect the appliance from the mains electrical and water supplies.

- Cut off the mains electrical cable close to the appliance and dispose of it.
- Remove the door catch to prevent children or pets from becoming trapped in the drum.
- Dispose of the appliance in accordance with local requirements for the disposal of Waste Electrical and Electronic Equipment (WEEE).

## 3. INSTALLATION

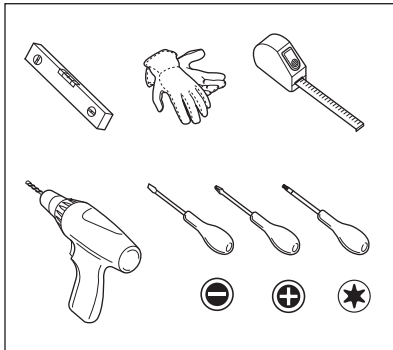


**WARNING!**  
Refer to Safety chapters.

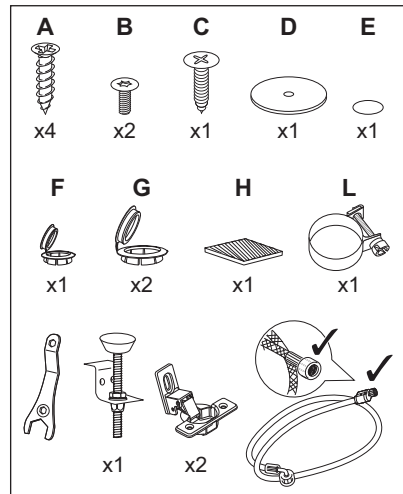
### 3.1 Be prepared for installation



It is recommended that installation is carried out by two persons.



### 3.2 The appliance is equipped with ...



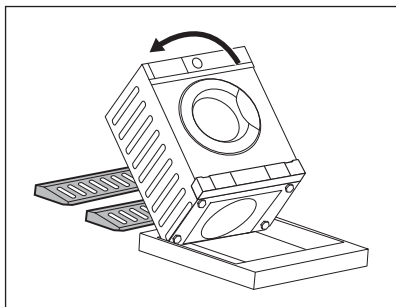
### 3.3 Unpacking



**WARNING!**  
Use the gloves.



**WARNING!**  
Remove all the packaging and the transit bolts before installing the appliance.



1. Put two polystyrene packaging elements on the floor under the appliance.



**WARNING!**

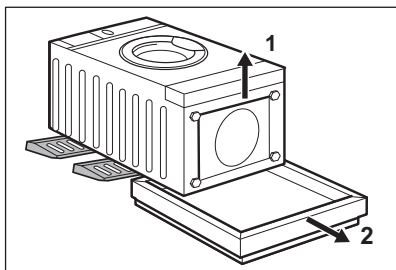
It is strongly recommended that this action is carried out by two persons.

2. Carefully put the appliance down on its rear side.

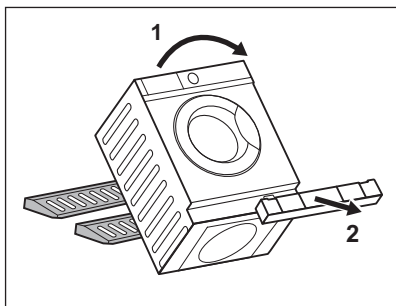


Make sure not to damage the hoses.

3. Remove the polystyrene protection from the bottom.



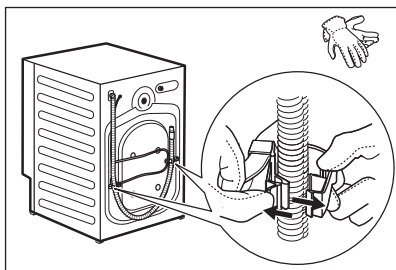
4. Return the appliance in vertical position and remove the socket polystyrene protection.

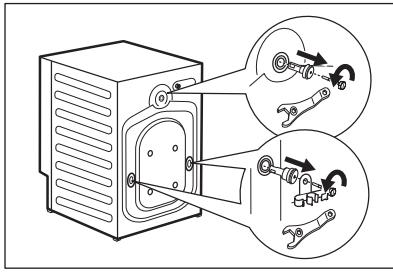


5. Remove the power supply cable and the drain hose from the hose holders.

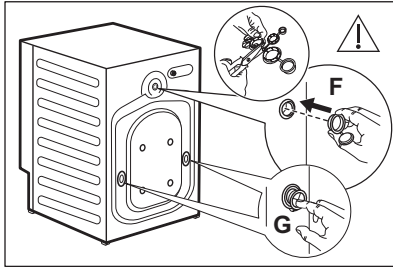


It is possible to see water flowing from the drain hose. This is due to the testing with water of the appliance in factory.






6. Remove the three bolts, the hose holders and plastic spacers by using the spanner supplied with the appliance.



7. Close the holes with the plastic caps you find in the user manual bag. Put the smallest cap **F** in upper hole and the two bigger caps **G** in lower holes.

 We recommend that you keep the packaging and the transit bolts for any movement of the appliance.

### 3.4 Installation on suspended flooring

Suspended wooden floors are particularly susceptible to vibration.

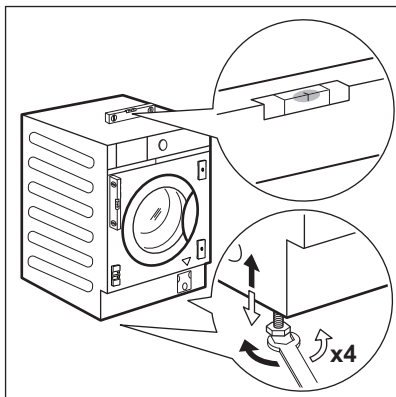
To limit vibration we recommend placing a waterproof wooden panel, at least 15

mm thick, under the appliance. It should be screwed to at least 2 floor beams and should extend beyond the front feet.

If possible, install the appliance where the floor is more stable.



### 3.5 Positioning and levelling



1. Install the appliance on a flat hard floor.



#### **WARNING!**

Make sure that carpets do not stop the air circulation below the appliance.



Bring the appliance near the furniture recess before levelling it. For more details, refer to paragraph "Building in".

2. Loosen or tighten the feet to adjust the level.



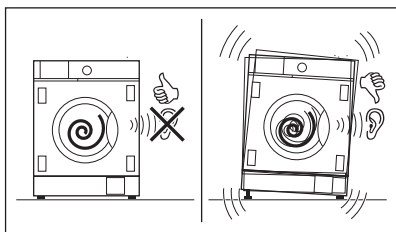
A correct adjustment of the appliance level prevents the vibration, noise and the movement of the appliance when in operation.

The appliance must be level and stable.

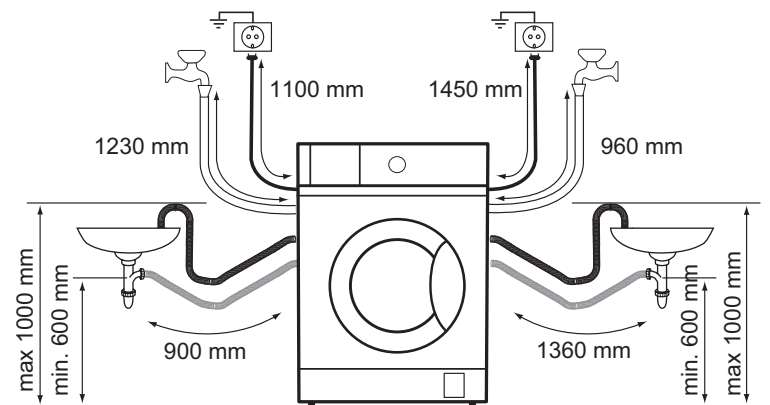


#### **CAUTION!**

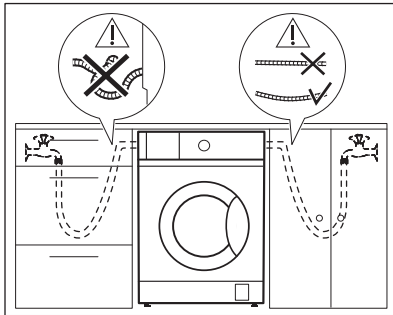
Do not put cardboard, wood or equivalent materials below the appliance feet to adjust the level.



### 3.6 Hose and cable connection

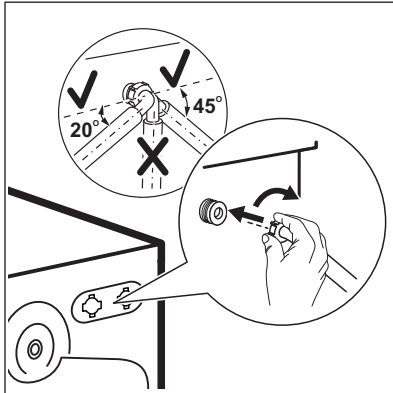


## The inlet hose

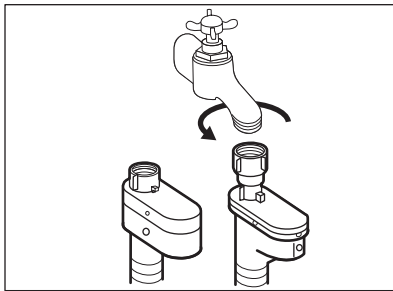


1. Remove the inlet hose from inside the drum.
2. To connect the water inlet hose towards the proper direction and with the proper inclination, check the position of the water tap before connecting it to the back of the appliance.

**i** Make sure the hose is not kinked, squashed but neither tensed.



3. Connect the hose to the back of the appliance. Do not turn the inlet hose downwards, but turn it left or right depending on the position of your water tap.
4. Loosen the ring nut to fix it in the correct position.



5. Connect the water inlet hose to the cold water tap with 3/4 thread.

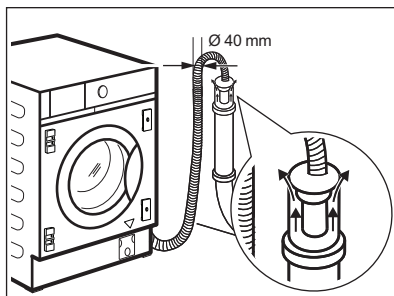
**!** **WARNING!**  
Make sure that there are no leaks from the couplings.

**i** Use the hose supplied with appliance.

**i** Do not use an extension hose if the inlet hose is too short. Contact the Authorised Service Centre for an inlet hose replacement.

## Water drainage

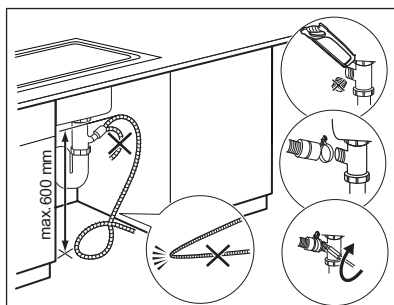
The drain hose can be connected:



### To a stand pipe with vent-hole

Directly into a drain pipe at a height of not less than 60 cm (23.6") and not more than 100 cm (39.3").

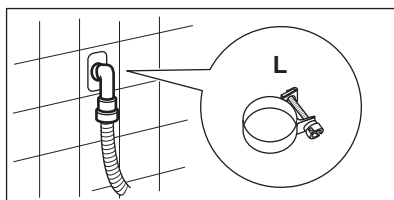
The end of the drain hose must always be ventilated, i.e. the inner diameter of the drain pipe (min. 40 mm - min. 1.6") must be larger than the external diameter of the drain hose.



### To a sink spigot

Put the drain hose in the spigot and tighten it with the supplied cable tie **L**.

Make sure that the drain hose makes a loop to prevent particles going into the appliance from the sink.

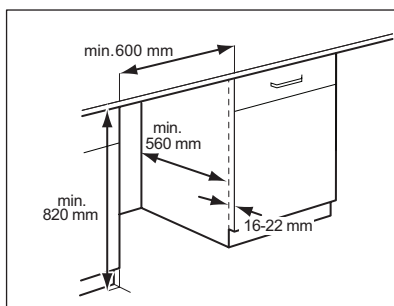


### To a wall-pipe

Directly to a built-in drain pipe in the room wall and tighten it with the supplied cable tie **L**.

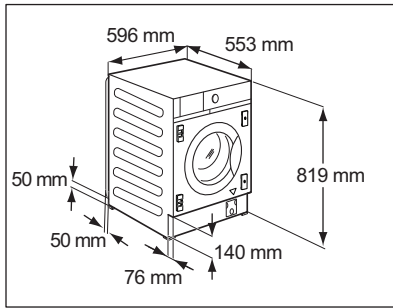
- i** You can extend the drain hose to maximum 400 cm. Contact the service centre for the other drain hose and the extension.

## 3.7 Building in

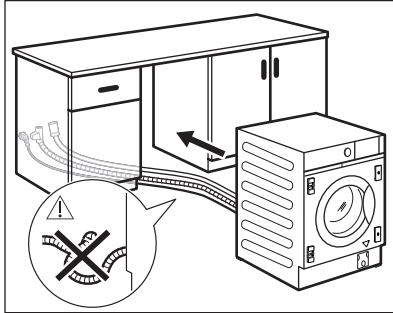


This appliance has been designed to be built into the kitchen furniture. The recess should have the dimensions shown in this picture.

- i** For recess with a height different than 820 mm, it is possible to buy the appropriate kit on the website.



If hoses run behind the appliance, make sure that nothing closes the small recess indicated with the measures 50 x 50 mm.

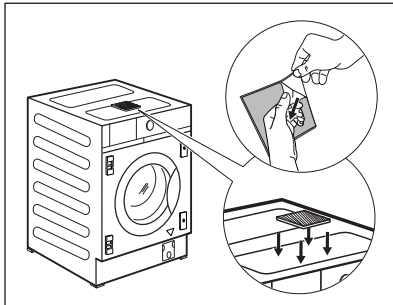


Before proceeding with appliance building in, bring it near the recess and preposition the inlet hose, the drain hose and the mains cable.



**WARNING!**

Make sure they are not kinked or squashed.



The appliance is also equipped with an adhesive sponge pad **H** that you can find inside the drum.

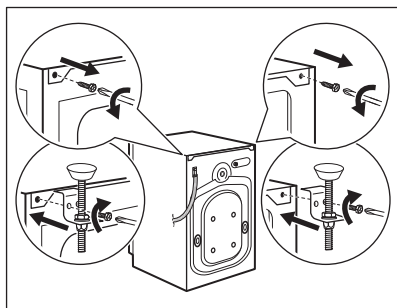
Attach it on the top of the appliance where indicated in the drawing.

When levelling the appliance under the furniture, **DO NOT** squeeze the sponge pad.

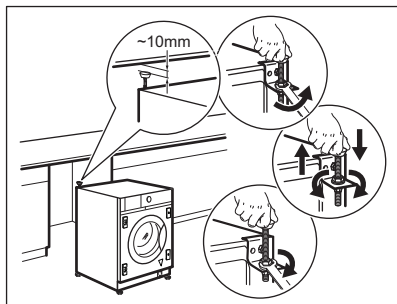
### 3.8 Installing anti-tilting device



If the height of the counter is 820 mm or lower, you **cannot** install the anti-tilting device.



1. Remove the screws of the top cover on the rear of the appliance and install the anti-tilting device as shown in the drawing.

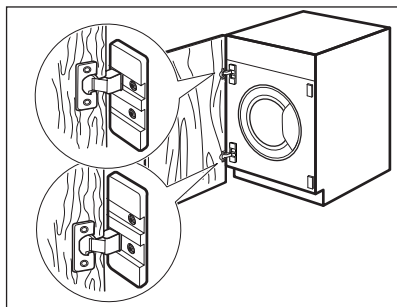


2. Adjust the anti-tilting device so that the distance from the counter is 10mm. Loosen the nut counterclockwise with a 3mm wrench. Adjust the height and turn the nut clockwise to fix it.

### 3.9 Preparation and assembly of the cupboard door

The dimensions of the cupboard door should be:

- width min. 595 - max. 598 mm;
- thickness 16-22 mm.

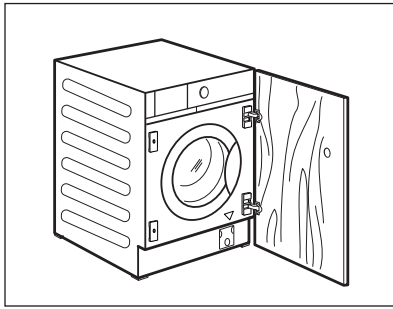


#### Factory pre setting

The appliance is originally pre set for the assembly of a cupboard door opening from right to left.

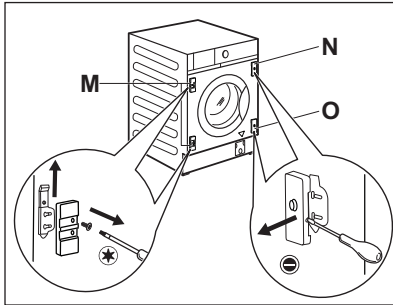


The best solution would be to screw the upper hinge to the upper hole of the top plate and the lower hinge to the lower hole of the bottom plate.

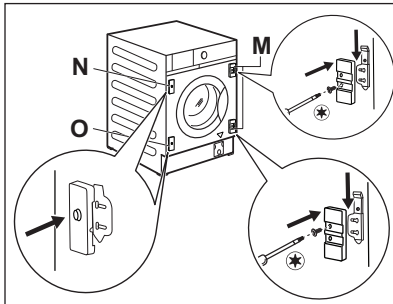


### Reversibility of the cupboard door

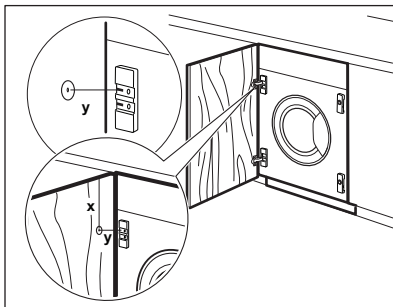
Carry out the cupboard door reversibility before the appliance is built in completely.



If the cupboard door has to be opened from left to right, invert the position of the hinge supports **M** with the magnetic plate **N** and lower plate **O**.



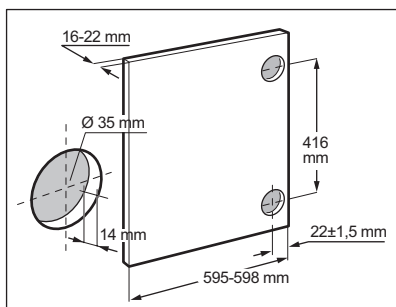
**i** Make sure that the plate with magnet is on the upper position.



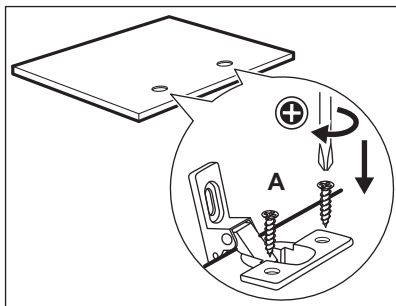
### Cupboard door preparation

**i** For countersinking the door, it is recommended to call a professional.

Align the cupboard door to the furniture correctly.  
Measure the distance **X** to fix the height of the hole to countersink the upper hinge. The centre of the hole **Y** should be at the same height of the stroke on the hinge support.



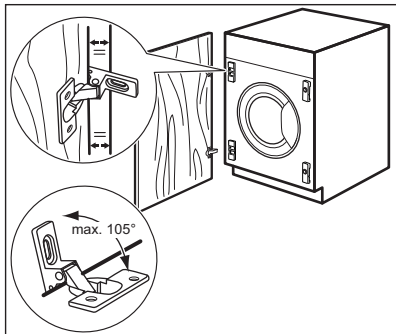
Set the position of the lower hole respecting dimensions and distances shown in the drawing (449 mm).  
Countersink the holes.



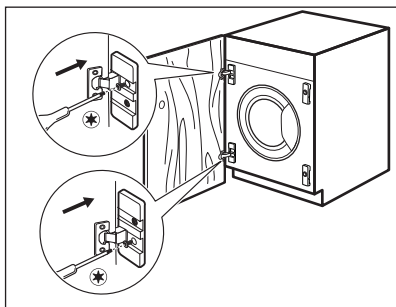
### Hinges

To mount the hinges it is necessary to drill two holes (dia. 35 mm, depth 12.5 - 14 mm depending on the depth of cupboard door) on the inner side of the door.

The hinges will be fixed to the door by means of the four supplied screws **A**.



To align the door perfectly, make sure that the edge of cupboard door is parallel with the appliance edge and to respect the proper opening angle (max. 105 °C).

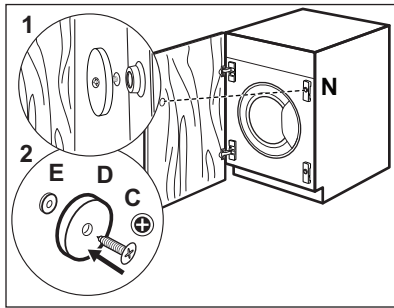


### Mounting the door

Fix the hinges to the hinge supports on the appliance by means of the two supplied screws **B**.



The hinges can be adjusted to compensate for possible uneven thickness of the door.



### Counter-magnet

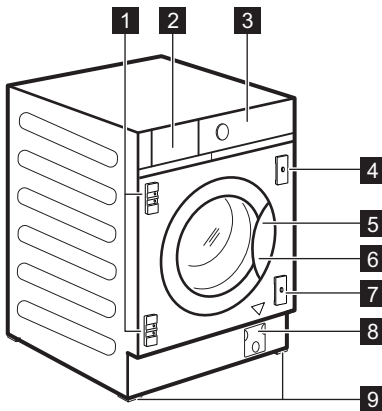
The appliance is pre set for a magnetic closure.

For a correct closure:

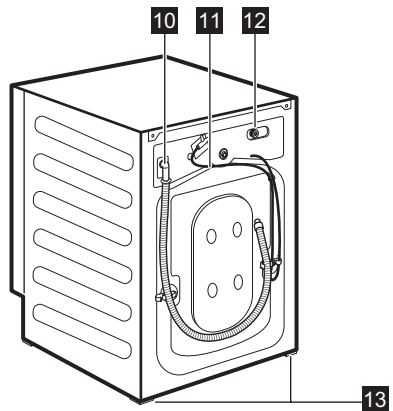
1. Position the screw **C** and the counter-magnet **D** on the magnetic plate **N**. Lean the cupboard door against the screw until it leaves a mark.
2. Open the cupboard door and screw the counter-magnet **D** (steel disk + rubber ring **E**) with the screw **C** in the inner side of the cupboard door, where the screw left the mark as described in the first step.

## 4. PRODUCT DESCRIPTION

### 4.1 Appliance overview



- 1** Hinge supports
- 2** Detergent dispenser
- 3** Control panel
- 4** Magnetic plate
- 5** Door handle
- 6** Rating plate
- 7** Plate with rubber beater

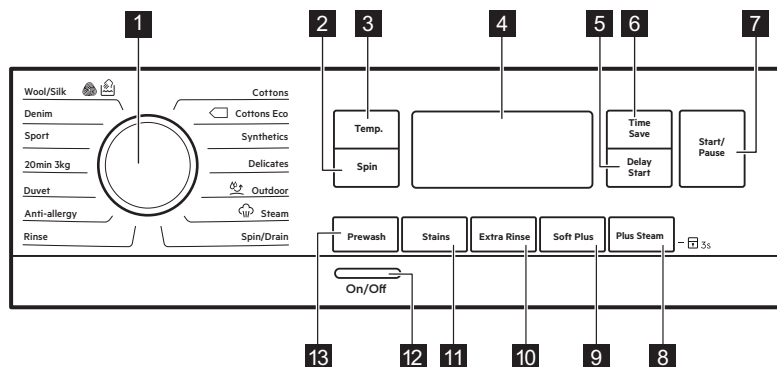



- 8** Drain pump filter
- 9** Front feet for levelling the appliance
- 10** Drain hose
- 11** Mains cable
- 12** Inlet hose connection
- 13** Back feet for levelling the appliance



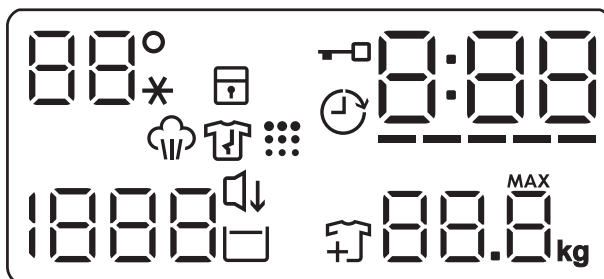
## 5. CONTROL PANEL

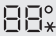











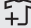

### 5.1 Control panel description



- |   |                                    |
|---|------------------------------------|
| <b>1</b> Programme dial   | <b>9</b> Soft Plus touch button    |
| <b>2</b> Spin touch button  | <b>10</b> Extra Rinse touch button |
| <b>3</b> Temp. touch button   | <b>11</b> Stains touch button      |
| <b>4</b> Display  | <b>12</b> On/Off push button       |
| <b>5</b> Delay Start touch button   | <b>13</b> Prewash touch button     |
| <b>6</b> Time Save touch button   |                                    |
| <b>7</b> Start/Pause touch button   |                                    |
| <b>8</b> Plus Steam touch button and permanent Child Lock option  3s |                                    |

### 5.2 Display



|   |  |
|---|--|
|    | The Temperature area:<br>88° Temperature indicator .<br>--* Cold water indicator.  |
|    | Child safety lock indicator.   |
|    | Door locked indicator.   |
|    | Delay start indicator.   |
|    | The digital indicator can show: <ul style="list-style-type: none"> <li>• Programme duration (e. g. 2:40).</li> <li>• Delay time (e. g. 2h).</li> <li>• Cycle end (000).</li> <li>• Warning code (e.g. E20).</li> <li>• Error indicator (- - -).</li> </ul> |
|    | Time Save indicator.   |
|    | Steam phase indicator.   |
|    | Anti-crease phase indicator.   |
|    | Drum clean indicator. This is a recommendation to perform the drum cleaning.   |
|    | The spin area:<br>Spin speed indicator<br>- - - No Spin indicator. Spin phase is off.  |
|    | Silent indicator.  |
|  | Rinse Hold indicator.  |
|  | Add garments indicator. It lights at the beginning of the washing phase, when it is still possible to pause the appliance and add more laundry.  |
|  | Maximum load indicator (refer to "The SensiCare System load detection " paragraph).<br><b>MAX</b> It flashes when the laundry load exceeds the maximum declared load of the selected programme.  |

## 6. DIAL AND BUTTONS

### 6.1 Introduction

- i** The options/functions are not available with all washing programmes. Check the compatibility between options/functions and washing programmes in the "Programme Chart". An option/function can exclude another one, in this case the appliance doesn't allow you to set incompatible options/functions.

### 6.2 On/Off

Press this button for a few seconds to activate or deactivate the appliance. Two different tunes sound while switching the appliance on or off.

As the Stand-by function automatically deactivates the appliance after several minutes to reduce the energy consumption, you may need to activate the appliance again.

For more details, refer to Stand-by paragraph in Daily Use chapter.

### 6.3 Programme dial

For selecting the desired washing programme. Refer to 'Programmes' chapter for more details.

The position **•** is a "Reset" function, which stops and resets the running programme. The display shows empty dashes to indicate that no programme was selected.

### 6.4 Temp.

When you select a washing programme, the appliance automatically proposes a default temperature.

Touch this button repeatedly until the desired temperature value appears on the display.

When the display shows the indicators **--\***, the appliance does not heat the water.

### 6.5 Spin

When you set a programme, the appliance automatically sets the maximum spin speed allowed, except for programme Denim. With this option you can decrease the default spin speed.


Touch repeatedly this button to:


- **Decrease the spin speed.** The display shows only the spin speeds available for the set programme.

- Additional spin options **No Spin**

**-- --**


Set this option to deactivate all spin phases. The appliance performs the only draining phase of the selected washing programme. Set this option for very delicate fabrics. The rinses phase uses more water for some washing programmes


- Activate the **Rinse Hold**  option. The final spin is not performed. The water of the last rinse is not drained out to prevent the fabrics from creasing. The washing programme ends with water in the drum.

The indicator  remains displayed. The door stays locked and the drum turns regularly to reduce creasing. You must drain the water to unlock the door.

If you touch the Start/Pause button, the appliance performs the spinning phase and drains the water.


- i** The appliance empties the water out automatically after 18 hours approximately.

- Activate the **Silent**  option. The intermediate and the final spinning phases are suppressed and the programme ends with water in the drum. This helps to reduce creasing.

The indicator  remains displayed. The door stays locked. The drum turns regularly to reduce creasing. You must drain the water to unlock the door.

As the programme is very quiet, it is suitable for use at night time when

cheaper electricity tariffs are available. In some programmes the rinses are performed with more water. If you touch the Start/Pause button, the appliance performs the only draining phase.


-  The appliance empties the water out automatically after 18 hours approximately.

## 6.6 Prewash

With this option you can add a prewash phase to a washing programme.

The corresponding indicator above the touch button illuminates.

- Use this option to add a pre-wash phase at 30 °C before the washing phase. This option is recommended for heavily soiled laundry, especially if containing sand, dust, mud and other solid particles.


-  The options can increase the programme duration.


## 6.7 Stains

Touch this button to add the stain phase to a programme.

The corresponding indicator above the touch button illuminates.

Use this option for laundry with hard stains to remove.

When you set this option, put the stain remover into compartment .

-  This option increases the programme duration. This option is not available with a temperature lower than 40 °C.

## 6.8 Permanent Extra Rinse

With this option you can add a few rinses according to the selected washing programme.

Use this option for people with allergies to detergent residues and with sensitive skin.

-  This option increases the programme duration.

The corresponding indicator above the touch button illuminates and also stays permanently on during next cycles until this option is deactivated.

## 6.9 Permanent Soft Plus

Set this option to optimise the fabric softener distribution and improve fabric softness.

Recommended when you use fabric softener.

-  This option increases the programme duration.


The corresponding indicator above the touch button illuminates and also stays permanently on during next cycles until this option is deactivated.


## 6.10 Plus Steam




This option adds a steam phase followed by a short anti-crease phase at the end of the washing programme.

The steam phase reduces fabric creasing and facilitates the fabric ironing.

The corresponding indicator above the touch button illuminates.

The indicator  is steady on during steam phase.


-  This option can increase the programme duration.

When the programme stops the display shows , the indicator  goes off and the indicator  is steady on. The drum performs smooth movements for about 30 minutes to keep the steam benefit. By touching any button the anti-crease movements stop and the door unlocks.

-  A small laundry load helps to reach better results.

## 6.11 Child Lock

With this option you can prevent children from playing with the control panel.

- To **activate/deactivate** this option, hold down the Plus Steam button until  **comes on/goes off** on the display.


The appliance will default to this option after you switch it off.

The Child Lock function may not be available for a few seconds after switching the appliance on.

## 6.12 Delay Start

With this option you can delay the start of a programme to a more convenient time.

Touch the button repeatedly to set the required delay. The time increases in steps of 1 hour up to 20 hours.

The display shows the indicator  and the selected delay time. After touching the Start/Pause button, the appliance begins the countdown and the door is locked.

## 6.13 Time Save

With this option you can reduce the programme duration depending on the load size and the degree of soiling.

When you set a washing programme, the display shows the default duration and ----- dashes.

Touch Time Save button to reduce the programme duration according to your needs. The display shows the new programme duration and a number of dashes will decrease accordingly:

----- suitable for a full load of normally soiled garments.

---- a quick cycle for a full load of lightly soiled garments.

-- very quick cycle for a smaller lightly soiled load (max. half load recommended).

- the shortest cycle to freshen up a small amount of laundry.

The Time Save is available only with the programmes in the table.

| indicator | Cottons | Cottons Eco | Synthetics |
|-----------|---------|-------------|------------|
| ----- 1)  | ■       | ■           | ■          |
| ----      | ■       | ■           | ■          |
| ---       | ■       | ■           | ■          |
| --        | ■       | ■           | ■          |
| -         | ■       | ■           | ■          |

1) Default duration for all programmes.

## Time Save with steam programmes

When setting a steam programme, this button allows to chose three steam levels and the programme duration is reduced accordingly:

- : maximum.
- : medium.
- : minimum.




In some appliances the programme duration is reduced without showing any dashes.







## 6.14 Start/Pause




Touch the Start/Pause button to start, pause the appliance or interrupt a running programme.

## 7. PROGRAMMES

### 7.1 Programme Chart



| Programme<br>Default tem-<br>perature<br>Temperature<br>range   | Reference<br>spin speed<br>Spin speed<br>range | Maxi-<br>mum<br>load | Programme description<br>(Type of load and soil level)  |
|---|--|----------------------|---|
| <b>Washing programmes</b>   |  |                      |   |
| Cottons<br>40 °C<br>90 °C - Cold  | 1400 rpm<br>(1400- 400<br>rpm)                 | 8 kg                 | <b>White cotton and coloured cotton.</b> Normal, heavy and light soil.  |
|  Cottons Eco <sup>1)</sup><br>40 °C<br>60 °C - 40 °C | 1400 rpm<br>(1400- 400<br>rpm)                 | 8 kg                 | <b>White cotton and fast-coloured cotton.</b> Normal soil. The energy consumption decreases and the time of the washing programme is extended, ensuring good washing results. |
| Synthetics<br>40 °C<br>60 °C - Cold   | 1200 rpm<br>(1200 - 400<br>rpm)                | 3 kg                 | <b>Synthetic items or mixed fabric items.</b> Normal soil.  |
| Delicates<br>30 °C<br>40 °C - Cold  | 1200 rpm<br>(1200- 400<br>rpm)                 | 2 kg                 | <b>Delicate fabrics such as acrylics, viscose and mixed fabrics requiring gentler washing.</b> Normal soil.   |

| Programme<br>Default temperature<br>Temperature range  | Reference spin speed<br>Spin speed range | Maximum load                             | Programme description<br>(Type of load and soil level)   |
|--|--|--|--|
| <br>Outdoor<br>30 °C<br>40 °C - Cold  | 1200 rpm<br>(1200- 400 rpm)              | 2 kg <sup>2)</sup><br>1 kg <sup>3)</sup> |  Do not use fabric softener and make sure that there is no softener residue in the detergent dispenser. |
| <p><b>Synthetic sport items.</b> This programme is designed to gently wash modern outdoor sportswear and is also suitable for gym, cycling or jogging clothes or similar. The recommended laundry load is 2 kg.</p>  |  |  |  |
| <p><b>Waterproof, waterproof-breathable and water repellent fabrics.</b> This programme can also be used as a water repellency restoring cycle, specifically tailored for treating clothes with a hydrophobic coating. To perform the water repellency restoring cycle, proceed as follows:</p>  |  |  |  |
| <ul style="list-style-type: none"> <li>• Pour the washing detergent in the compartment .</li> <li>• Pour a special water repellency restorer for fabric into the softener compartment of the drawer .</li> <li>• Reduce the laundry load to 1 kg.</li> </ul>           |  |  |  |
|  To further improve the water repellency restoring action, dry the laundry in a tumble dryer by setting the Outdoor drying programme (if available and if the garment care label permits tumble drying).  |  |  |  |
| <p><b>Steam programme</b> </p>  |  |  |  |
| <p>Steam programme can be used for reducing wrinkles and odours<sup>4)</sup> of garments that just need to be refreshed, avoiding washing. The fabric fibres are relaxed and afterwards ironing becomes effortless. When the programme is completed, quickly remove the laundry from the drum<sup>5)</sup>. Steam programmes do not perform any hygienic cycle. Do not set one of these programmes with the following type of items:</p> |  |  |  |
| <ul style="list-style-type: none"> <li>• Items that are not suitable for tumble drying.</li> <li>• All items with plastic, metal, wooden parts or alike.</li> </ul>  |  |  |  |

| Programme<br>Default temperature<br>Temperature range                                      | Reference spin speed<br>Spin speed range | Maximum load | Programme description<br>(Type of load and soil level)   |
|--|--|--------------|--|
| <br>Steam |  | 1 kg         | <p><b>Cottons, Synthetics, Delicates.</b> Short and gentle steam programme to refresh even your very delicate garments, including very delicate garments with sequins, lace etc. When treating smaller loads, the programme duration can be further reduced by means of the Time Save option.</p> <p> <b>WARNING!</b><br/>Do not use this programme with wool and garments labelled as dry-clean only.</p> <p> <b>WARNING!</b><br/>Do not use any detergent!</p> |
| <b>Special programmes</b>  |  |              |  |
| Spin/Drain   | 1400 rpm<br>(1400 - 400 rpm)             | 8 kg         | <b>All fabrics, except woollens and delicate fabrics.</b> To spin the laundry and to drain the water in the drum.  |
| Rinse  | 1400 rpm<br>(1400- 400 rpm)              | 8 kg         | <b>All fabrics, except woollens and very delicate fabrics.</b> Programme for rinsing and spinning the laundry. The default spin speed is the one used for cotton programmes. Reduce the spin speed accordingly to the type of laundry. If necessary, set the Extra Rinse option to add rinses. With a low spin speed, the appliance performs delicate rinses and a short spin.   |
| <b>Additional washing programmes</b>   |  |              |  |
| Anti-allergy<br>60 °C  | 1400 rpm<br>(1400- 400 rpm)              | 8 kg         | <b>White cotton items.</b> This programme removes micro-organisms thanks to a washing phase with the temperature maintained above 60°C for several minutes. This helps remove germs, bacteria, micro-organism and particles. An additional rinsing phase ensures a proper removal of detergent residues and pollens/allergenic items. In this way the wash is more effective.  |
| Duvet<br>40 °C<br>60 °C - Cold   | 800 rpm<br>(800 - 400 rpm)               | 3 kg         | <b>Single synthetic blanket, padded clothes, duvets, down jackets</b> and similar items.   |





| Programme    | Spin | No Spin         |  |  | Prewash <sup>1)</sup> | Stains <sup>2)</sup> | Extra Rinse | Soft Plus | Plus Steam | Delay Start | Time Save |
|--------------|------|-----------------|---|---|-----------------------|----------------------|-------------|-----------|------------|-------------|-----------|
| Cottons Eco  | ■    | ■               | ■   |   | ■                     | ■                    | ■           | ■         | ■          | ■           | ■         |
| Synthetics   | ■    | ■               | ■   | ■   | ■                     | ■                    | ■           | ■         | ■          | ■           | ■         |
| Delicates    | ■    | ■               | ■   | ■   | ■                     | ■                    | ■           | ■         |            | ■           |           |
| Outdoor      | ■    | ■               | ■   |   |                       |                      | ■           |           |            | ■           |           |
| Steam        |      |                 |   |   |                       |                      |             |           |            | ■           | ■         |
| Spin/Drain   | ■    | ■ <sup>3)</sup> |   |   |                       |                      |             |           |            | ■           |           |
| Rinse        | ■    | ■               | ■   |   |                       |                      | ■           |           |            | ■           |           |
| Anti-allergy | ■    | ■               | ■   |   | ■                     | ■                    | ■           | ■         | ■          | ■           |           |
| Duvet        | ■    | ■               |   |   |                       |                      |             | ■         |            | ■           |           |
| 20min 3kg    | ■    | ■               | ■   |   |                       |                      |             |           |            | ■           |           |
| Sport        | ■    | ■               | ■   |   | ■                     |                      | ■           |           |            | ■           | ■         |
| Denim        | ■    | ■               | ■   | ■   |                       |                      | ■           | ■         |            | ■           |           |
| Wool/Silk    | ■    | ■               | ■   |   |                       |                      |             |           |            | ■           |           |

- 1) Prewash and Stains cannot be selected together.
- 2) This option is not available with temperature lower than 40 °C.
- 3) If you set the No Spin option, the appliance performs draining only.

## 7.2 Woolmark Apparel Care - Blue



The wool wash cycle of this machine has been approved by The Woolmark Company for the washing of wool garments labelled as «hand wash» provided that the garments are washed according to the instructions issued by the manufacturer of this washing machine. Follow the garment care label for drying and other laundry instructions. M1380  
 The Woolmark symbol is a Certification mark in many countries.

## 8. SETTINGS

### 8.1 Acoustic signals

This appliance has different acoustic signals, that operate when:


- You activate the appliance (special short tune).
- You deactivate the appliance (special short tune).
- You touch the buttons (click sound).
- You make an invalid selection (3 short sounds).
- The programme is completed (sequence of sounds for about 2 minutes).
- The appliance has a malfunction (sequence of short sounds for about 5 minutes).

To **activate/deactivate** the acoustic signals when the programme is completed, touch the Prewash and the Stains buttons simultaneously for about 2 seconds. The display shows On or Off.




If you deactivate the acoustic signals, they continue to operate when the appliance has a malfunction.

## 9. BEFORE FIRST USE

1. Make sure that the electrical power is available and the water tap is open.
2. Pour 2 litres of water into the detergent compartment marked by 

This action activates the drain system.

3. Pour a small quantity of detergent into the compartment marked by 

4. Set and start a programme for cotton at the highest temperature without any laundry in the drum.

This removes all possible dirt from the drum and the tub.

## 10. DAILY USE



**WARNING!**  
Refer to Safety chapters.

### 10.1 Activating the appliance

1. Connect the mains plug to the mains socket.
2. Open the water tap.
3. Press the On/Off button for a few seconds to activate the appliance.

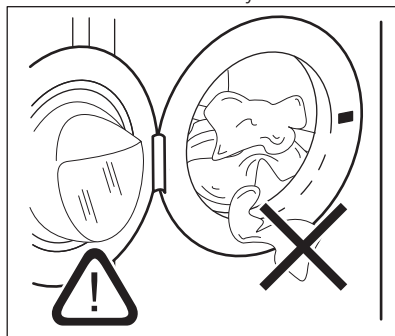
A short tune sounds.

### 10.2 Loading the laundry

1. Open the appliance door.
2. Shake the items before you put them in the appliance.
3. Put the laundry in the drum, one item at a time.

Do not put too much laundry in the drum.

4. Close the door firmly.





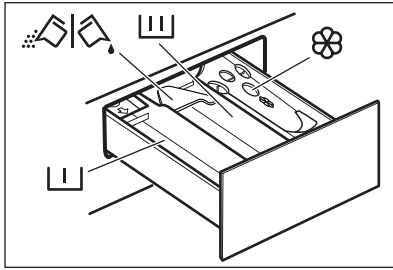
**CAUTION!**

Make sure that no laundry gets caught between the seal and the door to avoid risk of water leakage and damage to the laundry.



Washing heavily oiled, greasy stains could cause damage to rubber parts of the washing machine.

**10.3 Filling the detergent and additives**



- Compartment for prewash phase, soak programme or stain remover.



- Compartment for washing phase.



- Compartment for fabric softener and other liquid treatments (fabric conditioner, starch).

**MAX**

- Maximum level for quantity of liquid additives.



- Flap for powder or liquid detergent.



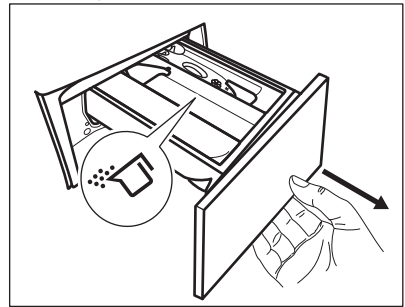
Always follow the instructions that you find on the packaging of the detergent products, but we recommend that you do not exceed the maximum indicated level (**MAX**). This quantity will however guarantee the best washing results.



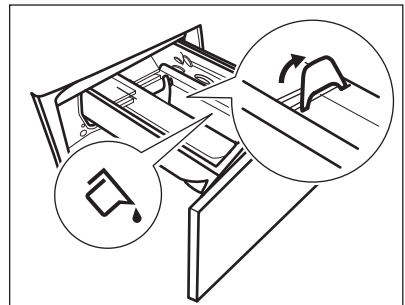
After a washing cycle, if necessary, remove any detergent residue from the detergent dispenser.

**10.4 Check the position of the detergent flap**

1. Pull out the detergent dispenser until it stops.



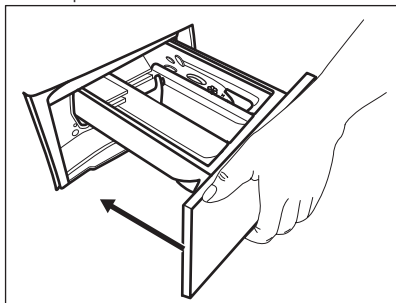
2. Press the lever down to remove the dispenser.
3. To use powder detergent, turn the flap up.
4. To use liquid detergent, turn the flap down.



With the flap in the position **DOWN**:

- Do not use gelatinous or thick liquid detergents.

- Do not exceed to liquid detergent dose indicated on the flap.
  - Do not set the prewash phase.
  - Do not set the delay start function.
5. Measure out the detergent and the fabric conditioner.
  6. Carefully close the detergent dispenser.



Make sure that the flap does not cause a blockage when you close the drawer.

## 10.5 Setting a programme


1. Turn the programme dial to select the desired washing programme. The indicator of the Start/Pause button flashes. The display shows an indicative programme duration and the maximum load.
2. To change the temperature and/or the spin speed, touch the related buttons.
3. If desired, set one or more options by touching the related buttons. The related indicators illuminate on the display and the given information changes accordingly.

**i** If a selection is **not possible** an acoustic signal sounds and the display shows  
- - -.

## 10.6 Starting a programme

Touch the Start/Pause button to start the programme. It is not possible to start the programme when the indicator of the button is off and doesn't flash (e.g. programme dial on a wrong position).




The related indicator stops flashing and stays on.

The programme starts, the door is locked. The display shows the indicator .







The drain pump can operate shortly before the appliance fills water.

## 10.7 Starting a programme with the delay start

1. Touch the Delay Start button repeatedly until the display shows the desired delay time. On the display the indicator shows .
2. Touch the Start/Pause  button. The appliance door locks and starts the countdown of the delay start. The display shows the indicator . When the countdown is completed, the programme starts automatically.



## Cancelling the delay start after the countdown has started

To cancel the delay start:

1. Touch the Start/Pause  button to pause the appliance. The related indicator flashes.
2. Touch the Delay Start button repeatedly until the display shows  and the indicator  goes off.
3. Touch the Start/Pause  button again to start the programme immediately.

## Changing the delay start after the countdown has started

To change the delay start:

1. Touch the Start/Pause  button to pause the appliance. The related indicator flashes.
2. Touch the Delay Start button repeatedly until the display shows the desired delay time.
3. Touch the Start/Pause  button again to start the new countdown.

## 10.8 The SensiCare System load detection

**i** The programme duration in the display is referred to a **medium/high load**.

After touching the Start/Pause button, the maximum declared load indicator goes off, the SensiCare System starts the laundry load detection:

1. The appliance detects the load in the first 30 seconds. During this phase the Time Save bars **----** placed below the time digits play a simple animation, the drum rotates shortly.
2. The programme duration will be adjusted accordingly and could increase or decrease. After further 30 seconds, the water filling starts.

At the end of the load detection, **in case of drum overload**, the indicator **MAX** is flashing in the display:

In this case, for 30 seconds, it is possible to pause the appliance and remove the exceeding garments.

Once removed the exceeding garments, touch the Start/Pause button to start the programme again. The SensiCare phase can be repeated up to three times (see point 1).

**Important!** If the laundry amount will not be reduced, the washing programme starts anyway, despite the overload. In this case, it will be not possible to guarantee the best washing results.

**i** About 20 minutes after the programme start, the programme duration could be adjusted again depending on the capacity of water absorption of the fabrics.

**i** The SensiCare detection is carried out with complete washing programmes only and if the programme duration has not been reduced by means of the Time Save button.

## 10.9 Interrupting a programme and changing the options

When the programme is running, you can change **only some** options:

1. Touch the Start/Pause button. The related indicator flashes.
2. Change the options. The given information in the display changes accordingly.
3. Touch the button Start/Pause again. The washing programme continues.

## 10.10 Cancelling a running programme

1. Press the button On/Off to cancel the programme and to deactivate the appliance.
2. Press the button On/Off again to activate the appliance.

**i** If the SensiCare System has completed and the water filling has already started, the new programme starts **without repeating the SensiCare System**. The water and the detergent are not drained out in order to avoid waste. The display shows the maximum duration of the programme, updating it about 20 minutes after the starting of the new programme.

There is also an alternative way of cancelling:


1. Rotate the selector knob to the "Reset" position **•**.
2. Wait for 1 second. The display shows **---**.


Now, you can set a new washing programme.

## 10.11 Opening the door - Adding garments

- i** If the temperature and level of the water in the drum are too high and/or the drum is still rotating you should not open the door.


While a programme or the delay start operates, the appliance door is locked.

The display shows the indicator .


1. Touch the Start/Pause button. In the display the related door lock indicator goes off.
2. Open the appliance door. If necessary, add or remove the items. Close the door and touch the Start/Pause  button.

The programme or the delay start continues.

## 10.12 End of the programme

When the programme has finished, the appliance stops automatically. The acoustic signals operate (if they are active). The display shows .

The indicator of the Start/Pause button goes off.

The door unlocks and the indicator  goes off.

1. Press button On/Off to deactivate the appliance.



After five minutes from the end of the programme, the energy saving function automatically deactivates the appliance.



- i** When you activate the appliance again, the display shows the end of the previous programme. Turn the programme dial to set a new cycle.


2. Remove the laundry from the appliance.
3. Make sure that the drum is empty.
4. Keep the door and the detergent dispenser slightly ajar to prevent mildew and odours.
5. Close the water tap.


## 10.13 Draining water out after end of cycle

If you have chosen a programme or an option that does not empty out the water of the last rinse, the programme is completed, but:

- The time area shows  and the display shows the door locked .
  - The indicator of the Start/Pause button starts flashing.
  - The drum still turns at regular intervals to prevent creases in the laundry.
  - The door stays locked.
  - You must drain the water to open the door:
1. If necessary, touch the Spin button to decrease the spin speed proposed by the appliance.
  2. Press the Start/Pause button: the appliance drains the water and spins.

The option indicator Rinse Hold  or  disappears.

- i** If you have set Silent  and the spin speed is not changed, when you press the Start/Pause button, the appliance only drains the water.

3. When the programme is completed and the door locked indicator  goes off, you can open the door.
4. Press the On/Off button for a few seconds to deactivate the appliance.

## 10.14 Stand-by function

The Stand-by function automatically deactivates the appliance to reduce the energy consumption when:

- You do not use the appliance for 5 minutes when no programme is running. Press the button On/Off to activate the appliance again.
- 5 minutes after the end of the washing programme. Press the On/Off button to activate the appliance again. The display shows the end of the last programme.

Turn the programme dial to set a new cycle.  
If the dial is rotated to the "Reset" position **\***, the appliance automatically turns off in 30 seconds.



If you set a programme or an option that ends with water in the drum, the Stand-by function **doesn't deactivate** the appliance to remind you to drain the water.

## 11. HINTS AND TIPS



### WARNING!

Refer to Safety chapters.

### 11.1 The laundry load

- Divide the laundry into: white, coloured, synthetics, delicates and wool.
- Follow the washing instructions on the laundry care labels.
- Do not wash white and coloured items together.
- Some coloured items can discolour with the first wash. We recommend that you wash them separately for the first couple of times.
- Button up pillowcases, close zippers, hooks and poppers. Tie up belts.
- Empty pockets and unfold.
- Turn multilayered fabrics, wool and items with printed illustrations inside out.
- Pre-treat tough stains.
- Wash heavy soil stains with a special detergent.
- Be careful with curtains. Remove the hooks and put the curtains in a washing bag or pillowcase.
- Do not wash laundry without hems or with cuts.
- Use a washing bag to wash small and/or delicate items (e.g. underwired bras, belts, tights, etc. ).
- A very small load can cause balance problems with the spin phase leading to excessive vibration. If this occurs:
  - a. interrupt the programme and open the door (refer to "Daily Use" chapter);
  - b. manually redistribute the load so that the items are spaced evenly around the tub;
  - c. press the Start/Pause button. The spin phase continues.

### 11.2 Stubborn stains

For some stains, water and detergent is not sufficient.

We recommend that you pre-treat these stains before you put the items in the appliance.

Special stain removers are available. Use the special stain remover that is applicable to the type of stain and fabric.

### 11.3 Detergents and other treatments

- Only use detergents and other treatments specially made for washing machines:
  - powder detergents for all types of fabric, excluding delicate. Prefer powder detergents containing bleach for whites and laundry sanitization
  - liquid detergents, preferably for low temperature wash programmes (60 °C max) for all types of fabric, or special ones for woollens only.
- Do not mix different types of detergents.
- To help the environment, do not use more than the recommended quantity of detergent.
- Follow the instructions that you find on packaging of the detergents or other treatments without exceeding the indicated maximum level (**MAX**).
- Use the recommended detergents for the type and colour of the fabric, the programme temperature and the level of soil.



## 11.4 Ecological hints

- Set a programme without the prewash phase to wash laundry with normal soil.
- Always start a washing programme with the maximum load of laundry allowed.
- If you pre-treat the stains or use a stain remover, set a programme with a low temperature.
- To use the correct quantity of detergent, check the water hardness of your domestic system. Refer to "Water hardness".

## 11.5 Water hardness

If the water hardness in your area is high or moderate, we recommend that you use a water softener for washing machines. In areas where the water hardness is soft it is not necessary to use a water softener.

To find out the water hardness in your area, contact your local water authority.

Use the correct quantity of water softener. Follow the instructions that you find on the packaging of the product.

# 12. CARE AND CLEANING



**WARNING!**  
Refer to Safety chapters.

## 12.1 External cleaning

Clean the appliance with mild soap and warm water only. Fully dry all the surfaces.



**CAUTION!**  
Do not use alcohol, solvents or chemical products.



**CAUTION!**  
Do not clean the metal surfaces with chlorine-based detergent.

## 12.2 Descaling



If the water hardness in your area is high or moderate, we recommend that you use a water descaling product for washing machines.

Regularly examine the drum to check for limescale.

Regular detergents already contain water softening agents, but we recommend to run a cycle with an empty drum and a descaling product occasionally.



Always follow the instructions that you find on the packaging of the product.

## 12.3 Maintenance wash

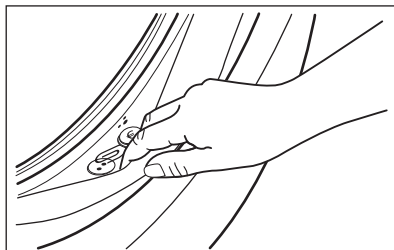
The repeated and prolonged use of low temperature programmes can cause detergent deposits, fluff residues, bacterial growth inside the drum and the tub. This could generate bad odours and mildew. To eliminate these deposits and clean the inner part of the appliance, run a maintenance wash regularly (at least once a month).



Refer to Cleaning the drum chapter.

## 12.4 Door seal with double lip trap

This appliance is designed with a **self cleaning draining system**, allowing light fluff fibers that fall off the clothes to be drained out with the water, in such a way that there is no need by the customer to access this area for regular maintenance and cleaning.



Regularly examine the seal and remove all objects from the inner part. Coins,

buttons, other small items forgotten in the pockets of your clothes are deposited during the washing cycle in the special double lip trap in the porthole seal, where they can be conveniently recovered at the end of the cycle.

## 12.5 Cleaning the drum

Regularly examine the drum to prevent unwanted deposits.


Rust deposits in the drum may occur due to rusting foreign body in the washing or tap water containing iron

Clean the drum with special products for stainless steel.

- i** Always follow the instructions that you find on the packaging of the product.  
Do not clean the drum with acidic descaling products, scouring products containing chlorine or iron or steel wool.

For a thorough clean:

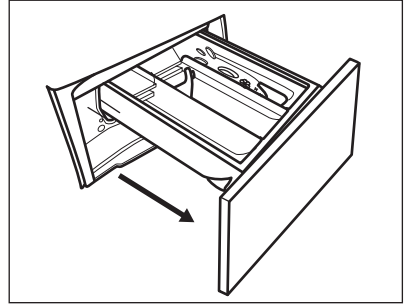
1. Remove all laundry from the drum.
2. Run a Cottons programme with the highest temperature.
3. Add a small quantity of powder detergent into the empty drum, in order to rinse out any left residues.

- i** Occasionally, at the end of a cycle the display may show the icon : this is a recommendation to perform the "drum cleaning". Once the drum cleaning has been performed, the icon disappears.

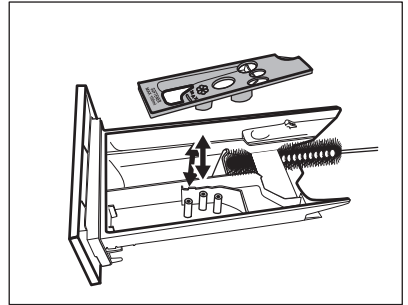
## 12.6 Cleaning the detergent dispenser

To prevent possible deposits of dried detergent or clotted fabric softener and/or formation of mould in the detergent dispenser drawer, once in a while carry out the following cleaning procedure:

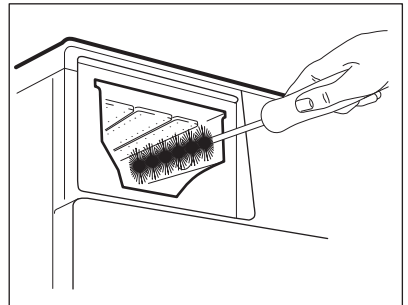
1. Open the drawer. Press the catch downwards as indicated in the picture and pull it out.



2. Remove the top part of the additive compartment to aid cleaning and flush it out under running warm water, to remove any traces of accumulated detergent. After cleaning, put the top part back into position.

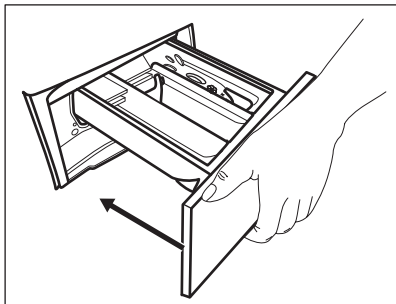


3. Make sure that all detergent residue is removed from the upper and lower part of the recess. Use a small brush to clean the recess.



4. Insert the detergent drawer into the guide rails and close it. Run the

rinsing programme without any clothes in the drum.



## 12.7 Cleaning the drain pump



### WARNING!

Disconnect the mains plug from the mains socket.



Regularly check the drain pump filter and make sure that it is clean.

Clean the drain pump if:

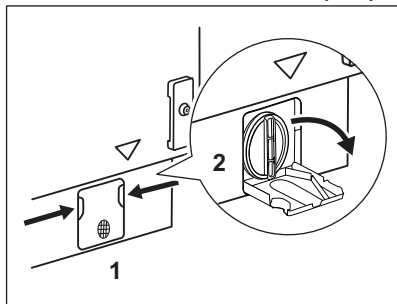
- The appliance does not drain the water.
- The drum does not turn.
- The appliance makes an unusual noise because of the blockage of the drain pump.
- The display shows the alarm code **E20**.



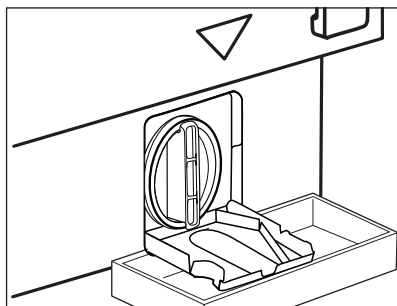
### WARNING!

- Do not remove the filter while the appliance operates.
- Do not clean the pump if the water in the appliance is hot. Wait until the water cools down

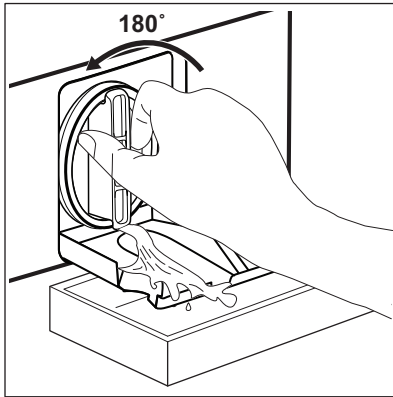
Proceed as follows to clean the pump:



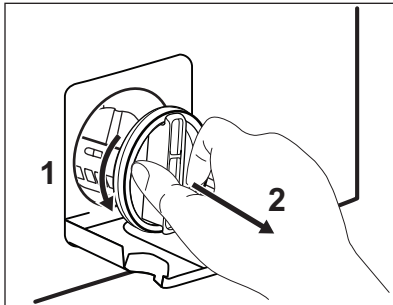
1. Open the pump cover.



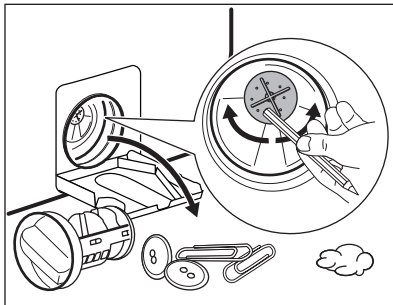
2. Place a suitable bowl below the drain pump access to collect the water that flows out. Always keep a rag nearby to dry up any water spillages when removing the filter.



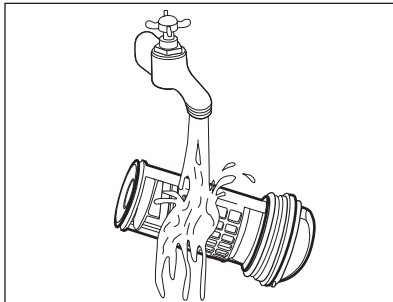
3. Turn the filter 180 degrees in anti-clockwise direction to open it, without removing. Let the water flow out.
4. When the bowl is full of water, turn the filter back and empty the container.
5. Repeat the steps 4 and 5 until the water stops to flow out.



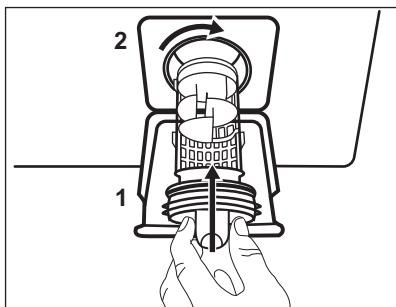
6. Turn the filter anti-clockwise to remove it



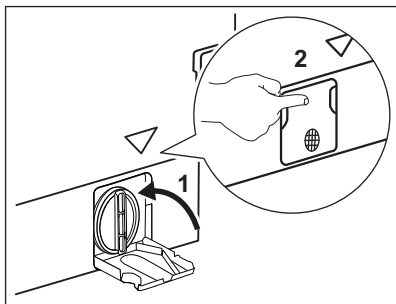
7. If it is necessary, remove fluff and objects from the filter recess. Make sure that the impeller of the pump can rotate. If it does not rotate, contact the Authorised Service Centre.



8. Clean the filter under the water tap.



9. Put the filter back into the special guides by turning it clockwise. Make sure that you tighten the filter correctly to prevent leakages.

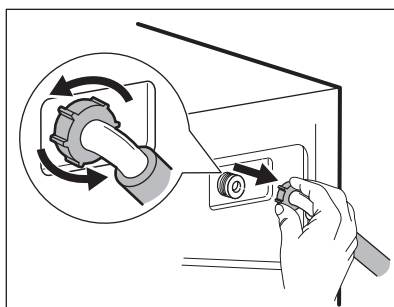
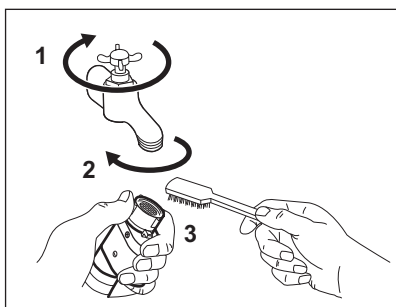


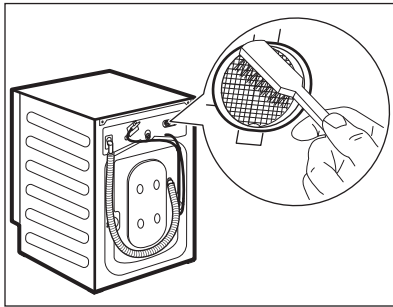
10. Close the pump cover.

When you drain the water with the emergency drain procedure, you must activate the drain system again:

1. Put 2 litres of water in the main wash compartment of the detergent dispenser.
2. Start the programme to drain the water.

## 12.8 Cleaning the inlet hose and the valve filter





## 12.9 Emergency drain

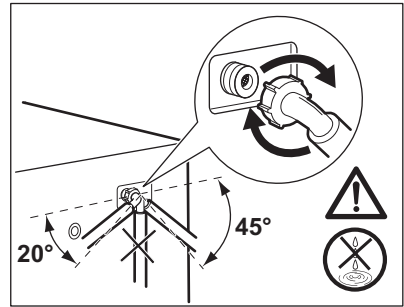
If the appliance cannot drain the water, carry out the same procedure, described in 'Cleaning the drain pump' paragraph. If necessary, clean the pump.

When you drain the water with the emergency drain procedure, you must activate the drain system again:

1. Put 2 litres of water in the main wash compartment of the detergent dispenser.
2. Start the programme to drain the water.

## 12.10 Frost precautions

If the appliance is installed in an area where the temperature can reach values around 0° C or drop below, remove the



remaining water from the inlet hose and the drain pump.

1. Disconnect the mains plug from the mains socket.
2. Close the water tap.
3. Put the two ends of the inlet hose in a container and let the water flow out of the hose.
4. Empty the drain pump. Refer to the emergency drain procedure.
5. When the drain pump is empty, install the inlet hose again.



### WARNING!

Make sure that the temperature is higher than 0 °C before you use the appliance again. The manufacturer is not responsible for damages caused by low temperatures.

# 13. TROUBLESHOOTING



### WARNING!

Refer to Safety chapters.

## 13.1 Introduction

The appliance does not start or it stops during operation.

First try to find a solution to the problem (refer to the table). If the problem persists, contact the Authorised Service Centre.




### WARNING!

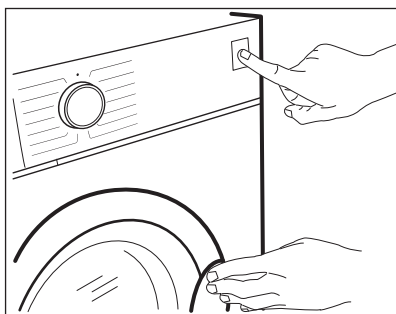
Deactivate the appliance before carrying out any check.

**In case of major problems, the acoustic signals operate, the display shows an alarm code and the Start/Pause button may flash continuously:**

- **EHO** - The mains supply is unstable. Wait until the mains supply is stable.

- **E91** - No communication between electronic elements of the appliance. Switch it off and switch on again. The programme was not finished properly or the appliance stopped too early. If the alarm code appears again, contact the Authorised Service Centre.
- **EFO** - The anti-flood device is on. Disconnect the appliance and close the water tap. Contact the Authorised Service Centre.
- **E10** - The appliance does not fill with water properly. After the proper check, start the appliance again by pressing Start/Pause button the appliance tries to resume the cycle. If the error persists the alarm code will appear again.
- **E20** - The appliance does not drain the water.
- **E40** - The appliance door is open or not closed correctly. Please check the door!

**i** If the appliance is overloaded, remove some items from the drum and/or hold the door shut while touching the Start/Pause button until the indicator  stops flashing (see the picture below).



## 13.2 Possible failures

| Problem                       | Possible solution  |
|-------------------------------|--|
| The programme does not start. | <ul style="list-style-type: none"> <li>• Make sure that the mains plug is connected to the mains socket.</li> <li>• Make sure that the appliance door is closed.</li> <li>• Make sure that there is no damaged fuse in the fuse box.</li> <li>• Make sure that the Start/Pause has been touched.</li> <li>• If the delay start is set, cancel the setting or wait for the end of countdown.</li> <li>• Deactivate the Child Lock function if it is on.</li> <li>• Check the position of the knob on the selected programme.</li> </ul> |

| Problem   | Possible solution  |
|---|--|
| The appliance does not fill with water properly.                              | <ul style="list-style-type: none"> <li>• Make sure that the water tap is open.</li> <li>• Make sure that the pressure of the water supply is not too low. For this information, contact your local water authority.</li> <li>• Make sure that the water tap is not clogged.</li> <li>• Make sure that the inlet hose has no kinks, damages or bends.</li> <li>• Make sure that the connection of the water inlet hose is correct.</li> <li>• Make sure that the filter of the inlet hose and the filter of the valve are not clogged. Refer to 'Care and cleaning'.</li> </ul> |
| The appliance fills with water and drains immediately                         | <ul style="list-style-type: none"> <li>• Make sure that the drain hose is in the correct position. The hose may be positioned too low. Refer to "Installation instruction".</li> </ul>   |
| The appliance does not drain the water.                                       | <ul style="list-style-type: none"> <li>• Make sure that the sink spigot is not clogged.</li> <li>• Make sure that the drain hose has no kinks or bends.</li> <li>• Make sure that the drain filter is not clogged. Clean the filter, if necessary. Refer to "Care and cleaning".</li> <li>• Make sure that the connection of the drain hose is correct.</li> <li>• Set the drain programme if you set a programme without drain phase.</li> <li>• Set the drain programme if you set an option which ends with water in the tub.</li> </ul>                                    |
| The spin phase does not operate or the washing cycle lasts longer than usual. | <ul style="list-style-type: none"> <li>• Set the spin programme.</li> <li>• Make sure that the drain filter is not clogged. Clean the filter, if necessary. Refer to "Care and cleaning".</li> <li>• Adjust manually the items in the tub and start the spin phase again. This problem may be caused by balance problems.</li> </ul>   |
| There is water on the floor.  | <ul style="list-style-type: none"> <li>• Make sure that the couplings of the water hoses are tight and there is not water leakages.</li> <li>• Make sure that the water inlet hose and the drain hose have no damages.</li> <li>• Make sure you use the correct detergent and the correct quantity of it.</li> </ul>   |
| You cannot open the appliance door.   | <ul style="list-style-type: none"> <li>• Make sure that a washing programme that ends with water in tub, has been selected.</li> <li>• Make sure that the washing programme is finished.</li> <li>• Set the drain or the spin programme if there is water in the drum.</li> <li>• Make sure that the appliance receives electrical power.</li> <li>• This problem may be caused by a failure of the appliance. Contact the Authorised Service Centre.<br/>If you need to open the door, please read carefully "Emergency door opening".</li> </ul>                             |



| Problem   | Possible solution  |
|---|--|
| The appliance makes an unusual noise and vibrates.                                  | <ul style="list-style-type: none"> <li>• Make sure the levelling of the appliance is correct. Refer to "Installation instruction".</li> <li>• Make sure that the packaging and/or the transit bolts are removed. Refer to "Installation instruction".</li> <li>• Add more laundry in the drum. The load may be too small.</li> </ul> |
| The programme duration increases or decreases during programme execution.           | <ul style="list-style-type: none"> <li>• The SensiCare System is able to adjust the programme duration according to the type and the laundry load size. Refer to "The SensiCare System load detection" in "Daily Use" chapter.</li> </ul>  |
| The washing results are not satisfactory.   | <ul style="list-style-type: none"> <li>• Increase the detergent quantity or use a different detergent.</li> <li>• Use special products to remove the stubborn stains before you wash the laundry.</li> <li>• Make sure that you set the correct temperature.</li> <li>• Decrease the laundry load.</li> </ul>                        |
| Too much foam in the drum during the washing cycle.                                 | <ul style="list-style-type: none"> <li>• Reduce the quantity of detergent.</li> </ul>  |
| After the washing cycle, there are some detergent residues in the dispenser drawer. | <ul style="list-style-type: none"> <li>• Make sure that the flap is in the correct position (UP for powder detergent - DOWN for liquid detergent).</li> <li>• Make sure you have used the detergent dispenser according to the indications given in this user manual.</li> </ul>   |

After the check, activate the appliance. The programme continues from the point of interruption.

If the problem occurs again, contact the Authorised Service Centre.

If the display shows other alarm codes, deactivate and activate the appliance. If the problem continues, contact the Authorised Service Centre.

### 13.3 Emergency door opening

In case of power failure or functioning failure the appliance door remains locked. The washing programme continues when the power is restored. If the door remains locked in case of failure, it is possible to open it using the emergency unlock function.

Before opening the door:



**CAUTION!**  
Risk of burns! Make sure that the water temperature is not too high and the laundry is not hot. If necessary, wait until they cool down.



**CAUTION!**  
Risk of injury! Make sure that the drum is not rotating. If necessary, wait until the drum stops rotating.

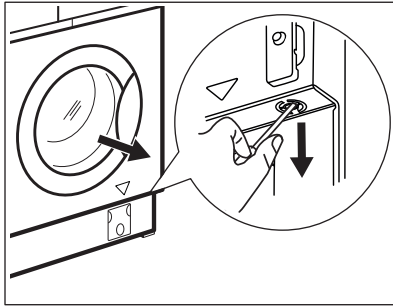


Make sure that the water level inside the drum is not too high. If necessary, proceed with an emergency drain (refer to «Emergency drain» in «Care and cleaning» chapter).

To open the door, proceed as follows:

1. Press the On/Off button to switch the appliance off.

2. Disconnect the mains plug from the mains socket.
3. Open the filter flap.
4. Pull twice the emergency unlock trigger downward and open the appliance door.
5. Take out the laundry and then close the appliance door.
6. Close the filter flap.

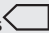





## 14. CONSUMPTION VALUES

**i** Stated values are obtained in laboratory conditions with relevant standards. Different causes can change the data: the quantity and type of laundry and ambient temperature. Water pressure, the supply voltage and the temperature of inlet water may also affect the washing programme duration.

**i** Technical specifications may be changed without prior notice to improve the quality of product.

| Programmes      | Load (kg) | Energy consumption (kWh) | Water consumption (litre) | Approximate programme duration (minutes) | Remaining moisture (%) <sup>1)</sup> |
|-----------------|-----------|--------------------------|---------------------------|--|--------------------------------------|
| Cottons 60°C    | 8         | 1.23                     | 80                        | 215                                      | 52                                   |
| Cottons 40°C    | 8         | 0.89                     | 80                        | 185                                      | 52                                   |
| Synthetics 40°C | 3         | 0.59                     | 71                        | 135                                      | 35                                   |
| Delicates 40°C  | 2         | 0.30                     | 47                        | 60                                       | 35                                   |
| Wool/Silk 30°C  | 1.5       | 0.15                     | 58                        | 70                                       | 30                                   |

Standard cotton programmes 

| Programmes   | Load (kg) | Energy consumption (kWh) | Water consumption (litre) | Approximate programme duration (minutes) | Remaining moisture (%) <sup>1)</sup> |
|--|-----------|--------------------------|---------------------------|--|--------------------------------------|
| Standard 60°C cotton  | 8         | 0.82                     | 54                        | 295                                      | 52                                   |
| Standard 60°C cotton  | 4         | 0.56                     | 39                        | 235                                      | 52                                   |
| Standard 40°C cotton  | 4         | 0.53                     | 40                        | 235                                      | 52                                   |

<sup>1)</sup> At the end of spin phase.

| Off Mode (W) | Left On Mode (W) |
|--------------|------------------|
| 0.30         | 0.30             |

The information given in the chart above is compliant with the EU Commission regulation 1015/2010 implementing directive 2009/125/EC .


## 15. TECHNICAL DATA


|  |   |                                       |
|--|---|---------------------------------------|
| Dimension  | Width/ Height/ Depth/ Total depth             | 596 mm/ 819 mm/ 540 mm/ 553 mm        |
| Electrical connection  | Voltage<br>Overall power<br>Fuse<br>Frequency | 230-240 V<br>2000 W<br>13 A<br>50 Hz  |
| Level of protection against ingress of solid particles and moisture ensured by the protective cover, except where the low voltage equipment has no protection against moisture |   | IPX4                                  |
| Water supply pressure <sup>1)</sup>  | Minimum<br>Maximum                            | 0,5 bar (0,05 MPa)<br>8 bar (0,8 MPa) |
| Water supply <sup>2)</sup>   |   | Cold water                            |
| Maximum Load   | Cotton  | 8 kg                                  |
| Energy Efficiency Class  |   | A+++                                  |
| Spin Speed   | Maximum                                       | 1351 rpm                              |

<sup>1)</sup> The appliance works correctly if the water pressure is not lower than 0.05 MPa (0.5 bar). If you cannot connect the water inlet hose to the cold water tap of the primary hydraulic system, connect it to your domestic cold water storage system. Make sure not to exceed a distance of 5.02 m (16.5 ft) between the appliance inlet hose and the bottom of the water storage tank.

<sup>2)</sup> Connect the water inlet hose to a water tap with a 3/4" thread.

## 16. ENVIRONMENTAL CONCERNS

Recycle materials with the symbol .  
Put the packaging in relevant containers to recycle it. Help protect the environment and human health by recycling waste of electrical and electronic appliances. Do not dispose of

appliances marked with the symbol  with the household waste. Return the product to your local recycling facility or contact your municipal office.







[www.aeg.com/shop](http://www.aeg.com/shop)



157019870-A-262018



**AEG**