

JOHN
LEWIS
& PARTNERS

2 SLICE TOASTER INSTRUCTION MANUAL



Contents

3	Important safety information
5	Operational warnings
7	Your 2 Slice toaster - diagram
8	Getting started
8	Operating your toaster
9	Reheat function
9	Defrost function
9	Using the 'stop' button
10	Care instructions
11	Troubleshooting
11	Technical specification
12	Servicing and disposal
12	Guarantee

Important safety information

Thank you for purchasing this John Lewis & Partners toaster. Please read the instructions and warnings carefully to ensure a long life for your product and safe usage.

This instruction manual should be retained for future reference. These warnings have been provided in the interest of safety. You **MUST** read them carefully before using the appliance. If you are unsure of what any of these warnings mean, please contact your nearest John Lewis & Partners shop or Technical Support on 0330 123 0106.

- Unplug the toaster from the mains supply when not in use, when removing or attaching accessories or before cleaning any part of the appliance.
- This appliance is for household use only.
- To protect against fire, electric shock and injury, do not immerse the toaster, its cord or plug in any liquid, including water.
- Do not use outdoors or in damp conditions.
- Do not use near a source of heat or on a hot or unstable surface. Store out of direct sunlight.
- Ensure that the power cord does not over hang the edge of your work surface.
- Before unplugging the power cord, switch the toaster

off. When unplugging, hold the plug top, not the power cord.

- Do not operate any appliance with a damaged cord or plug. Should the toaster malfunction, or if it is dropped or damaged in any manner, please stop using it and contact John Lewis & Partners Technical Support on 0330 123 0106 for repair.



NOTE: persons with impaired vision may consult these instructions by contacting your nearest John Lewis & Partners shop or John Lewis & Partners Technical Support on 03301 230106

- Do not use attachments or accessories which are not recommended by the manufacturer. They may cause malfunction or injury.
- Do not attempt to repair this toaster yourself. It contains no serviceable parts. Repairs should only be carried out by authorised service personnel with specialist tools. Unauthorised dismantling or servicing will void the product warranty.
- Do not use this toaster for any purpose not specified in this manual.
- This appliance is not intended to be operated by means of an external timer or separate remote - controlled system.



WARNING: Polythene bags over the product or within packaging may be dangerous. To avoid the risk of suffocation, please keep away from babies and children.

Operational warnings

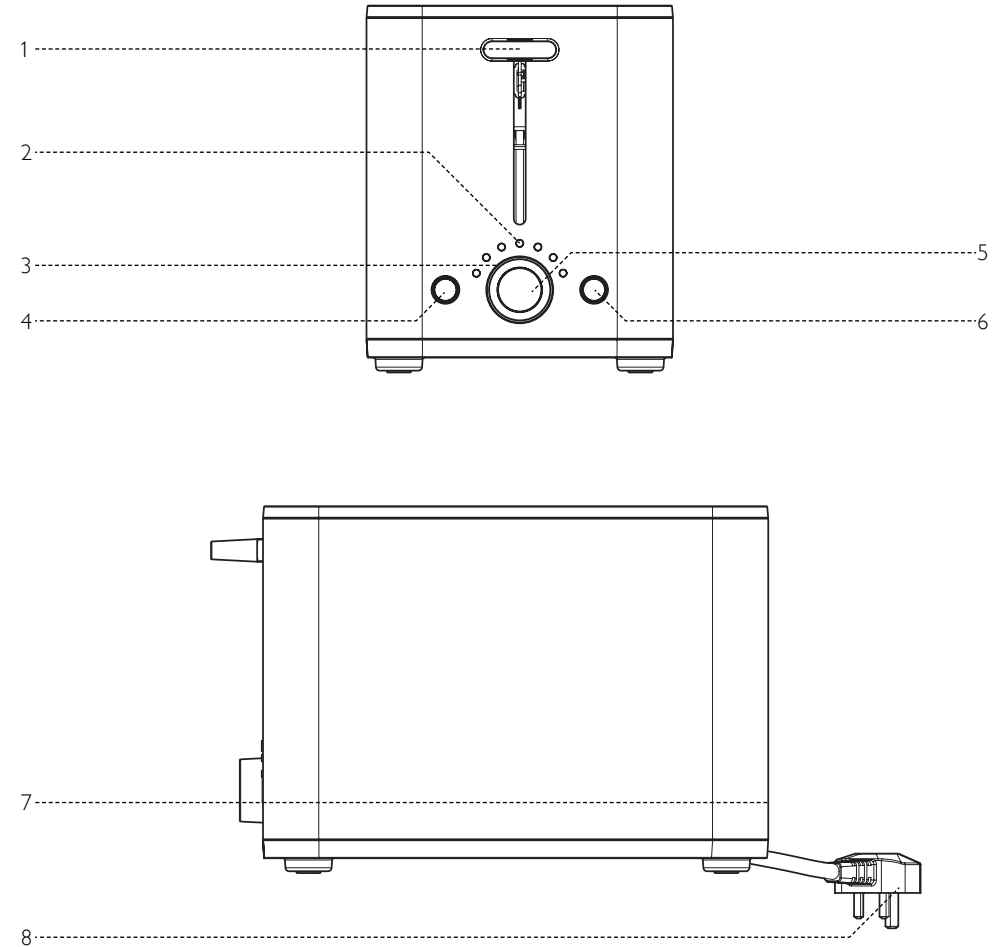
- Unplug the toaster from the mains supply when not in use, when removing the crumb tray, or before cleaning.
- Do not insert metal or foil-covered implements into the toaster at any time.
- Unplug the toaster before attempting to dislodge food.
- The bread may burn, therefore do not use the toaster near or below combustible material, such as curtains.
- Do not toast foods that may drip coatings or fillings when heated. Food residue of this kind inside the toaster can constitute a fire hazard.
- Never operate the appliance without the crumb tray fitted.
- Do not wrap the cable around the main body of the toaster during or after use.
- This appliance can be used by children aged from 8 years and above and persons with reduced physical, sensory and mental capabilities or lack of experience and knowledge if they have been given supervision or instruction by a person responsible for their safety concerning the use of the appliance in a safe way

and understand the hazards involved.

- Children shall not play with the appliance
- Cleaning and user maintenance shall not be made by children without supervision.
- Keep the appliance and its cord out of reach of children under the age of 8.

Your toaster – diagram

- 1 Pop-up lever
- 2 Indicator LED lights
- 3 Browning dial
- 4 Defrost button
- 5 Stop button
- 6 Reheat button
- 7 Crumb tray
- 8 Plug with 85cm cable



Getting started



IMPORTANT: please follow these instructions before use.

- Remove all packaging from the toaster and either retain or dispose of it safely, according to local recycling provisions. Keep plastic packaging materials out of the reach of children.
- Retain the manual and the product purchase receipt for future reference.
- Remove all labels from the outer stainless steel surface.
- Before using the toaster for the first time, operate it without bread for one complete toasting cycle at browning level 7.

As with all appliances with electric heating elements, your toaster will emit a 'new' smell when it is first switched on. This is normal and not a cause for concern.

Operating your toaster

- Place your bread slices in the slots.
- Press the bread carriage lever down until it locks - your toaster is now on.
- As you rotate the dial, the corresponding lights will display the browning level you are selecting. The numbers 1-7 represent levels of browning, 1 being lightly toasted and 7 being very toasted.
- The timer will begin counting down. This is illustrated by the lights around the rotational control. The knob itself will not move mechanically during toasting.

(Please note you can also rotate the dial first and press the bread carriage lever down second to operate your toaster)

- After the set time has been reached, the bread will pop up automatically. The bread carriage lever will have returned to its upper position and the heating element will have switched off.



WARNING: surfaces are liable to get hot during use.

Reheat function

The appliance offers a reheat function for cold toast. To use it, depress the bread carriage lever and press the reheat button. The button will illuminate and the toaster will operate for 35 seconds. The toast will pop up automatically

Please note that the browning dial will have no function in reheat mode.

Defrost function

The defrost function adjusts the toasting times for frozen bread to account for the colder starting temperature.

To use it, depress the bread carriage lever and press the defrost button. Rotate the browning dial to the desired level from 1-7.

Using the 'stop' button

If you wish to interrupt the toasting process, press the 'stop' button.

If the bread gets caught inside the toaster, the toaster will switch off at the end of the toasting cycle.

Care instructions

After use and before cleaning, switch off at the mains, remove the plug from the wall socket and wait for the toaster to cool.

When the appliance has cooled down completely, lightly tap the sides of the case to dislodge any crumbs lodged in the toaster chamber. Push the crumb tray to release it from the main unit. Empty the tray and replace it.

- Wipe the outside of the toaster with a soft, damp cloth and dry with a soft, dry cloth.
- NEVER use metal polish or coarse scouring agents on your toaster.
- NEVER immerse your appliance in any sort of liquid, including water.
- NEVER use any pointed or sharp articles for cleaning the inside of the toaster to avoid the risk of damaging the heating element.
- NEVER use a brush or put your fingers or metal implements into the slots.



CAUTION: To prevent damage to the appliance, do not use alkaline cleaning products. Use a soft, damp cloth and a mild detergent.

Troubleshooting

Problem	Cause	Solution
Toasting lever will not stay depressed	<ul style="list-style-type: none">- Toaster is not switched on at the plug- The browning dial may be on too low a setting- Crumbs may be obstructing the path of the lever	<ul style="list-style-type: none">- Check that the plug is correctly connected- Try setting the browning dial to a slightly higher level- Unplug the toaster, lightly tap its sides and clear the crumb tray
Persistent burning smell while toasting	<ul style="list-style-type: none">- Toast debris and crumbs may be trapped in the toaster	<ul style="list-style-type: none">- Unplug the toaster, lightly tap its sides and empty the crumb tray. Clear any larger pieces of food debris using a non-metal implement

Technical specification


Capacity: 2 Slice

Rating: 220-240V~50Hz
Rated power 900W

Stainless steel body
Plastic base
Plastic top surface
White LED indicator lights

Servicing and disposal

This product should only be repaired or serviced by an authorised service engineer. Only genuine, approved spare parts should be used.

This symbol  indicates that this product should not be treated as normal household waste and should be recycled.

John Lewis & Partners does not operate in-store take back, but as a member of the Distributor Take Back scheme has funded the development and upgrade of recycling facilities across the UK.

Please take your old appliance to your nearest collection facility. For further details, contact your local council or visit: www.recycle-more.co.uk

Guarantee

This toaster is guaranteed for two years in respect of defects found to be due to faulty workmanship or materials. Proof of purchase is required for the validity of the guarantee. This guarantee is no longer valid in the case of accidental damage, alteration, repair by any unauthorised persons or poor maintenance.

This guarantee in no way affects your statutory rights.

Please retain these instructions for future reference.



John Lewis Partnership
171 Victoria Street
London SW1E 5NN
johnlewis.com