

Recommended bulb (not included)

6 x 3-6 Watt energy efficient LED GU10

or

6 x 50 Watt eco halogen GU10

When changing a bulb, always switch off at the mains and allow the bulb to cool before handling. Dispose of used bulbs carefully. Do not exceed the rated power stated or use a different shape bulb from that indicated on the fitting.

Specifications

Max. power: 50W

Voltage: 240V, 50Hz


IP rating: IP20

Weight: 0.7kg



Please retain these instructions for future reference.



This symbol  indicates that this product should not be treated as normal household waste and it should be recycled. John Lewis do not operate instore take back, but as members of the Distributor Trade Back scheme have funded the development and upgrade of recycling facilities across the UK. Please take it to your nearest collection facility or for further details contact your local council or visit www.recycle-more.co.uk.

We have taken great care to ensure that this product reaches you in perfect condition. However, should any parts be damaged or missing please contact the Product Helpline on (01202) 690945.

John Lewis Partnership
171 Victoria Street
London SW1E 5NN
johnlewis.com

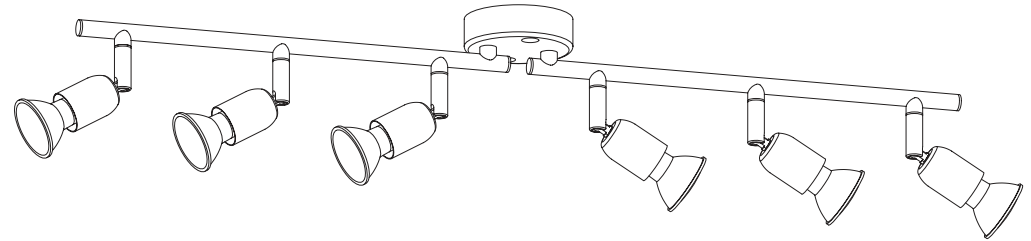
Made in China

John Lewis

User manual

Keely

Spotlight



18/04/2018

Thank you for purchasing this Keely spotlight. Please read the instructions carefully before use to ensure safe and satisfactory operation of this product.

Warnings!

This is a Class I product and must be earthed.

For your safety, this product must be installed in accordance with local Building Regulations. If in any doubt, or where required by the law, consult a competent person who is registered with an electrical self-declaration scheme. Further information is available online or from your Local Authority

To prevent electric shock switch off at mains supply before installing or maintaining this fitting. Ensure other persons cannot restore the electrical supply without your knowledge.

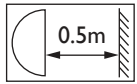
This light fitting should be connected to a 5 amp fused circuit.

This product is suitable for installation on surfaces with normal flammability e.g. wood, plasterboard, masonry. It is not suitable for use on highly flammable surfaces (e.g. polystyrene, textiles).

Ensure the correct fixings are used for the installation surface.

For your safety, always switch off the supply before cleaning or adjusting.

This product is dimmable when used in conjunction with suitable bulbs.



Halogen bulbs up to 50W can be used - but ensure that the minimum distance to the illuminated surface is not less than 0.5m (50 cm). Ensure spotlights do not face each other.

Parts list

Parts list	Image	Qty
Light fitting		1
Screws		2
Wall plugs		2

Assembly

Refer to assembly drawing opposite. Carefully unpack the carton, making sure all the parts are present before assembly.

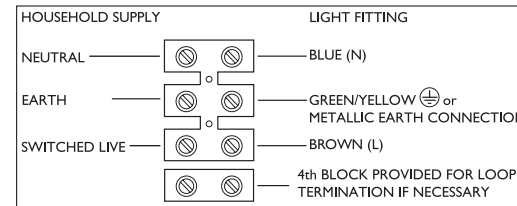
Step 1

This product will be easier to install with the help of an assistant. This product has been designed with folding bars to allow different configurations and layouts to be easily achieved. To position the bars, fold them out into the desired configuration. There is no need to tighten the bars once in position. They are designed to rotate freely to allow easy operation. When installing and using this product, take care not to allow the bars and heads to collide with each other.

Before removing the existing fitting, **carefully note the position of each set of wires.**

Step 2

Having identified the household wiring from your existing light fitting, connect to the connection block inside the product as shown. When completed, ensure that there are no bare or loose strands of wire exposed, and cover all exposed areas of the connection block with 2 layers of insulation tape.



Check that

You have correctly identified the house wires.

The connections are tight.

No loose strands have been left out of the connection block.

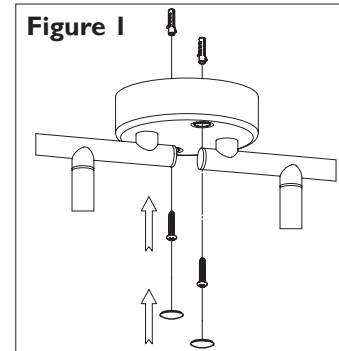


Figure 1

Step 3

See Fig 1. Locate the fixing screws through the white plastic plugs in the ceiling cover and screw directly into the ceiling making sure that there is a joist at the point of fixing. Take care not to trap or damage any wiring. Apply the chrome finish screw caps to the screw heads once attached to the ceiling.

Step 4

Fit the bulbs per the details overleaf, using the tool provided.

Step 5

Replace fuse or circuit breaker and switch on. Your light is now ready for use.

Care instructions

We recommend cleaning with a soft dry cloth. Do not use abrasive materials as these will damage the finish.