

## Recommended bulb

1 x 9-11 Watt ES energy efficient LED

or

1 x 42 Watt ES eco halogen

Bulb not included

## Specification

Max power: 42W


Voltage: 220~240V, 50/60Hz

IP20

Weight 2.5Kg



Please retain these instructions for future reference.

This symbol  indicates that this product should not be treated as normal household waste and it should be recycled. John Lewis does not operate in store take back, but as members of the Distributer Take Back scheme have funded the development and upgrade of recycling facilities across the UK. Please take it to your nearest collection facility or for further details contact your local council or visit [www.recycle-more.co.uk](http://www.recycle-more.co.uk).

We have taken great care to ensure that this product reaches you in perfect condition. However, should any parts be damaged or missing please e-mail [lightingparts@JLPspares.co.uk](mailto:lightingparts@JLPspares.co.uk)

## Trouble shooting:

Why is the light not working when switched on?

Check your power supply is switched on

Turn off light and check that the bulb is inserted correctly

Check the bulb is still in working order.

John Lewis partnership

171 Victoria Street

London SW1E 5NN

Johnlewis.com

Made in China

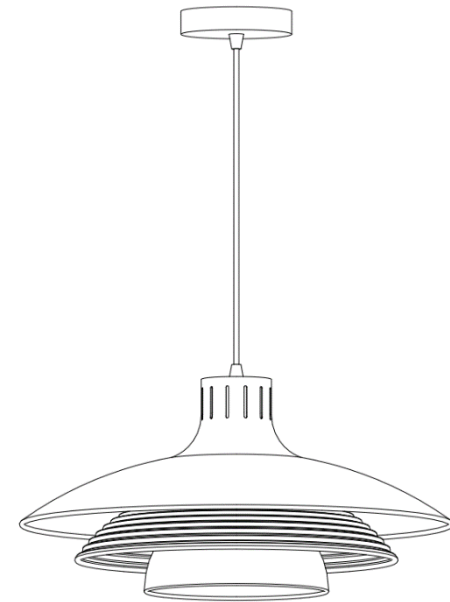
Issue 01 04/18

# John Lewis

## User manual

House Stockholm

Ceiling pendant




Thank you for purchasing this House Stockholm ceiling pendant. Please read the instructions carefully before use to ensure safe and satisfactory operations of this product.

**Warnings!**

For your safety, this product must be installed in accordance with local Building Regulations. If in any doubt, or where required by the law, consult a competent person who is registered with an electrical self-certification scheme. Further information is available online or phone your Local Authority.

To prevent electric shock, switch off the mains supply before installing or maintaining this product. Ensure other persons cannot restore the electricity supply without your knowledge.

Always use the correct bulb type with the correct wattage as indicated in the specification table. This product is Class II =  and should be fitted to a lighting supply protected by a 5 amp fuse or equivalent circuit breaker.

When changing the bulb, always switch off at the mains and allow the old bulb to cool down before handling. Dispose of used bulbs carefully.

**Caution! The bulb and surrounding parts can become hot during use.**





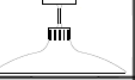



For indoor use only.

**Care instructions**

We recommend cleaning with a soft dry cloth. Do not use abrasive materials as these will damage the finish.

Replace bulbs from John Lewis or established brand of the same type and compatibility.

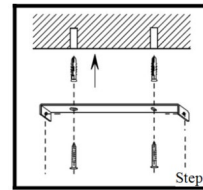
**Parts list**

	Parts list	Qty		Parts list	Qty
A		1	E		2
B		1	F		2
C		1	G		3
D		1	H		3

**Assembly**

Never install your appliance on a wet, freshly painted or plastered surface. Ensure the house electricity supply is switched off at the fuse box. If removing an existing fitting, note down all wiring connections. Check the fixings will not touch any existing wiring before drilling and attaching the light to the ceiling.

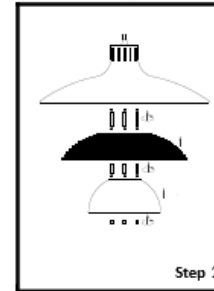
Ensure you thread the wall wires through the black insulating tube fixed to the appliance.



**Step 1**

Remove mounting bracket from fitting by removing the retaining screws and washers, retain for later. Using the mounting bracket as a template, mark and then drill the fixing holes in the ceiling (ensure the screws are firmly fixed into a solid or other suitable mounting and not just the

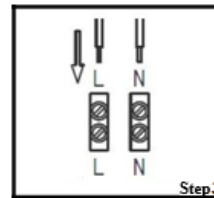
plasterboard.). Take care not to damage wiring. Attach mounting bracket to the mounting surface using suitable fixings. Do not attach fitting to mounting bracket at this stage. Make sure no wires are trapped in the process.



**Step 2**

Fit the 3 longest spacing studs (H) to the inside of the upper shade and screw into place until tight. Pass the holes in the centre shade over the spacing studs and attach the 3 x spacing studs (G) to secure in place. Next, pass the holes in the lower shade of the spacing studs and fit the 3 x final nuts to secure in place. Ensure all assembled parts are tight.

**Height Adjustment:** This fitting is height adjustable at point of installation only. No attempt must be made to adjust the height once it has been attached to the ceiling. If adjustment is required at a later date the fitting must be isolated from the mains and removed from the ceiling first. Lay the fitting on a clear covered surface. Using a suitably sized flat bladed screwdriver loosen the plastic screw clamp under the ceiling cup, also undo the screws or clamp located in the ceiling cup. Carefully pull the cable through the ceiling cup to the desired height and then retighten all screws to ensure that clamps are fully secured.

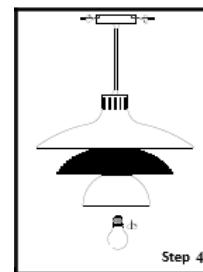


**Step 3**

Ensuring that the power has been isolated, connect the electrical supply wires to the connector blocks corresponding terminals. Wrap the terminal block in two layers of insulating tape. Make the electrical connections as follows:

- Live (Normally brown or red) to fitting live (marked "L")
- Neutral (Normally blue or black) to fitting neutral (marked

"N"). **NO EARTH** must be connected to any part of this fitting. Please note that residential wiring can vary, if you are unsure about the correct polarity please consult a qualified electrician.



**Step 4**

Excess cable must be carefully located inside ceiling cup or within the ceiling void. Carefully offer fitting over mounting bracket then secure in place with the screws and washers removed earlier. Take care not to overtighten as this may cause damage to the fitting. Ensure all components are straight and aligned during the assembly process. **Fit the bulb**, type and wattage as indicated on the fitting (bulb not supplied). The wattage indicated must not be exceeded. Once installation is complete, the house electricity may be restored at the fuse box.