

For use

Do not use solvents or abrasive cleaners as these could damage the finish.

In normal circumstances, stainless steel is very resistant to corrosion. It does however require maintenance to preserve the high quality appearance. Wash the product with warm soapy water, removing all surface deposits. Rinse with clean water and with a soft cloth, wipe dry.

In some cases, surface corrosion may arise after installation. This is normally caused by tiny iron particles left behind after the brushing process when finishing.

Wash and dry as detailed above. Then with a soft cloth soaked with a protective oil, wipe all over. However if the product is subject to extreme environmental conditions such as marine locations, industrial pollution and acid rain these maintenance procedures should be carried out around four times a year. For severe corrosion, non-abrasive cream cleaners or proprietary stainless steel cleaners should be used to remove the corrosion. Wash and dry as detailed above. Then with a soft cloth soaked with a protective oil, wipe all over.

Glass parts - Remove and wash in warm water or just use a damp cloth. Do not use abrasive materials as these will damage the finish.

Recommended bulb

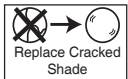
2 x 3.5 Watt

GU10 LED Energy Efficient bulb.

To fit the bulbs, firstly unscrew the lampholder covers, then insert the new bulbs before refitting the covers. Make sure the seal is tight between the threads of the lampholder covers and the light fitting body to ensure effective ingress protection. Refer to Fig. 4 overleaf.

When changing a bulb, always switch off at the mains and allow the bulb to cool before handling. Dispose of used bulbs carefully. Do not exceed the wattage stated or use a different shape bulb from that indicated on the fitting. Make sure the bulb fits the space available.

Some Energy saving bulbs are not suitable for use with a dimmer switch.



The glass shades must be replaced if it becomes cracked or damaged. Do not use product without the glass shades attached.

Specification

Maximum wattage: 35W

Voltage: 240V, 50Hz

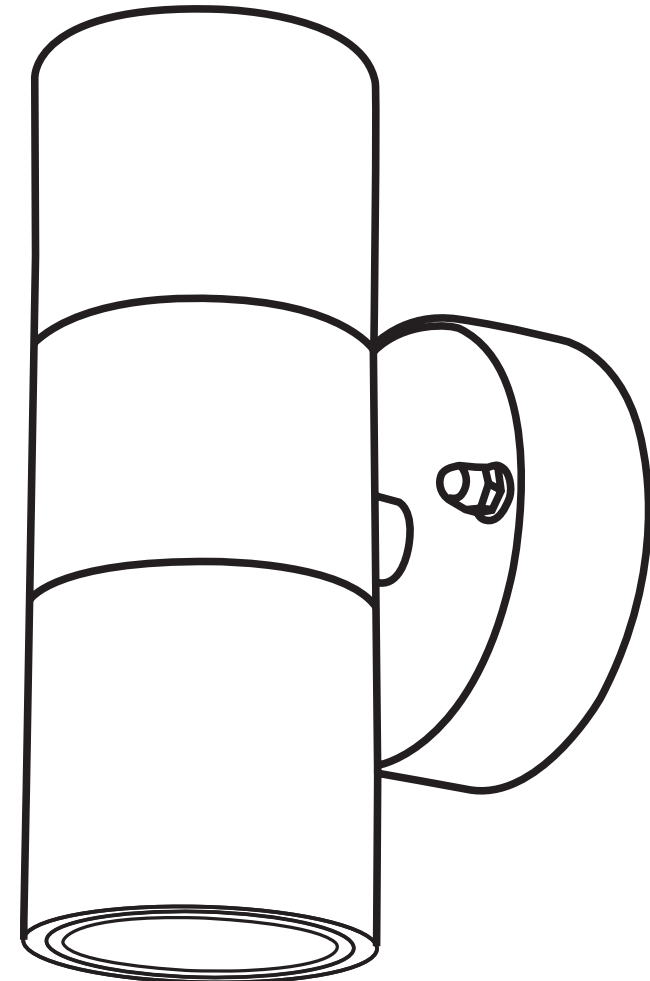


We have taken great care to ensure that this product reaches you in perfect condition. However, should any parts be damaged or missing please contact our Product Helpline on (01202) 690945.

John Lewis Partnership
171 Victoria Street
London SW1E 5NN
johnlewis.com

Made in China

31/05/2017



Thank you for purchasing this Strom 2lt Wall Light. Please read the instructions carefully before use to ensure safe and satisfactory operation of this product. Please keep these instructions for future reference.

Warnings!

This is a Class I product and must be earthed.

Please read these instructions carefully before commencing any work. It is recommended that this fitting is installed by a qualified electrician.

Install in accordance with the IEE Wiring regulations and the Building Regulations.

To prevent electrocution switch off at mains supply before installing or maintaining this fitting.

Ensure other persons cannot restore the electrical supply without your knowledge. If you are in any doubt, please consult a qualified electrician.

This light fitting should be connected to a 5 amp fused circuit.

If replacing an existing fitting, make a note of the connections.

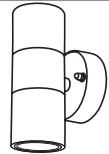
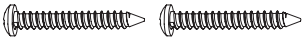
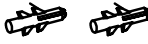

Always use the correct type and wattage bulb. Never exceed the wattage stated.

When changing a bulb, always switch off at the mains and allow the old bulb to cool down before handling. Dispose of used bulbs carefully.

This product is suitable for outdoor use only, on normally flammable surfaces.

The entire unit gets hot whilst on for a period of time, ensure the fitting is mounted out of arms reach.

Parts List

Light Fitting		I	Screws		2
			Wall Plugs		2
			Bulbs		2

Installation Instructions

Make sure you have the following items which are required to install this light fitting:

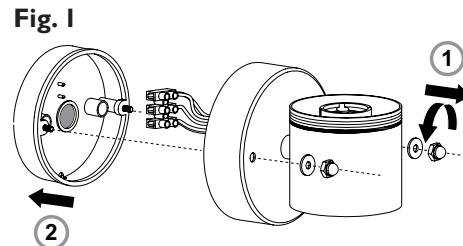
- Small electrical screwdriver, cross head screwdriver & insulation tape.
- The installation of this fitting will be much easier with the help of an assistant.

Step 1

Before removing the existing fitting, **carefully note the position of each set of wires.** Where a ring/loop circuit exists there will be a fourth set of wires (usually red) that are not connected to the L, N, or E. of the fitting. This circuit must be kept together in the 4th terminal of the connection block, and insulated from the fitting and the other wires. The ring/loop will remain live unless isolated at the mains or circuit breaker **regardless of the position of the wall switch.**

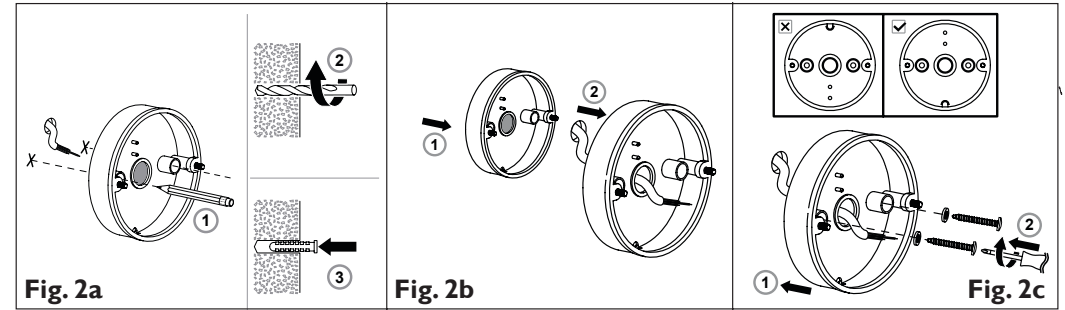
Step 2

Remove the finials from the front of the product and lift the light fitting body away from the wall back. Keep the rubber washers and finials in a safe place for use later. See Fig. 1



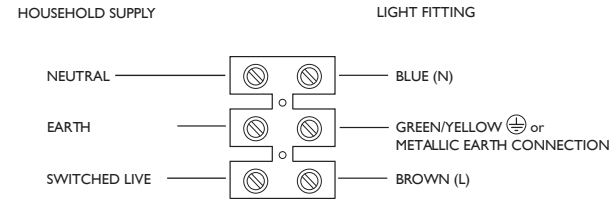
Step 3

Using the wall back as a template, mark the position of the mounting holes. Drill holes and fit supplied wall plugs (suitable for masonry only - for other surfaces use appropriate fixings). Feed the incoming mains supply cable through the grommet entry hole. Fix the wall back to the wall using the supplied screws. Make sure the wall back is correctly oriented with the drain hole at the bottom. See Fig. 2a/b/c.



Step 4

Having identified the household wiring from your existing light fitting, connect to the connection block inside the product in the following way:



Check that.....

You have correctly identified the house wires. The connections are tight. No loose strands have been left out of the connection block. Grommet is still in place to maintain the IP rating.

Step 5

Place the light fitting over the threads of the securing screws and refit the rubber washers and finials to secure. Make sure the fitting is correctly oriented in a vertical direction. See Fig. 3.

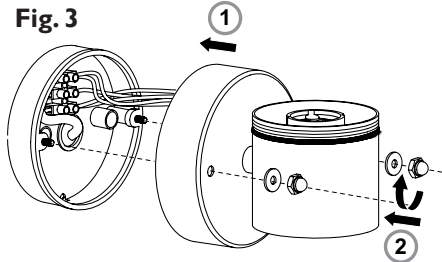
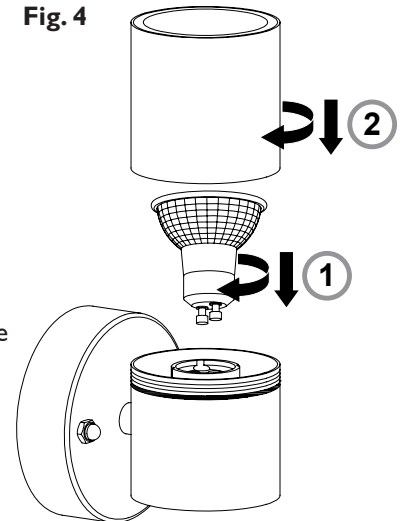


Fig. 4



Step 6

Fit the recommended bulbs and lampholder covers as per the details shown overleaf. Also refer to Fig. 4.

Step 7

Replace fuse or circuit breaker and switch on. Your light is now ready for use.