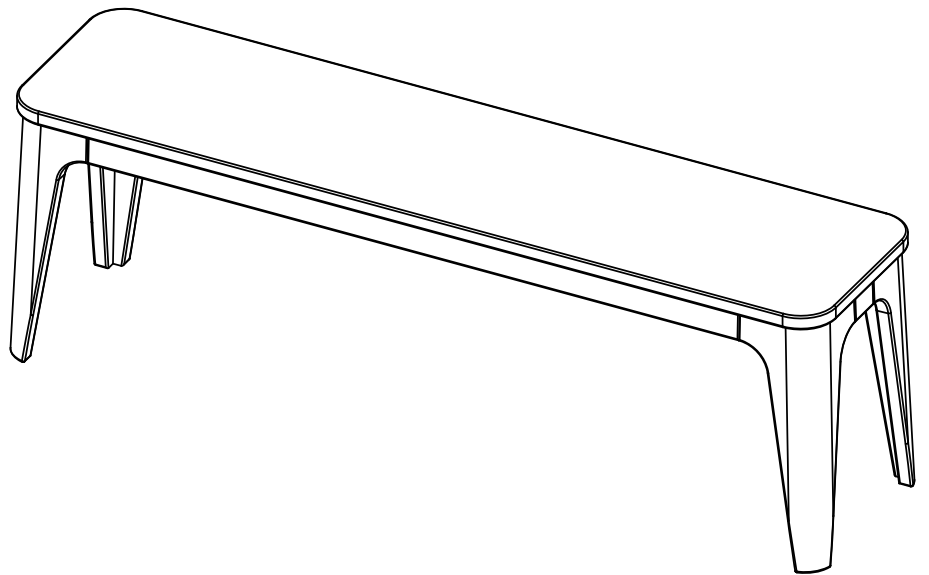


John Lewis

MIRA bench oak

Stock number: 836 23502



L140 W34 H45 cm

Thank you for purchasing the MIRA bench oak. Please read the instructions and warnings carefully before use, to ensure safe and satisfactory operation of this product.

At John Lewis, we are committed to making as great products as possible.

From our in-house Design Team, to our buyers, we work together to bring great design to life.

Our expert product technologists work collaboratively with our buyers and suppliers to assure the legality, safety and quality of the product we sell.

We are all committed to designing and developing products to the highest industry standards.

We hope you are happy with your product and welcome any feedback or comments you may have.

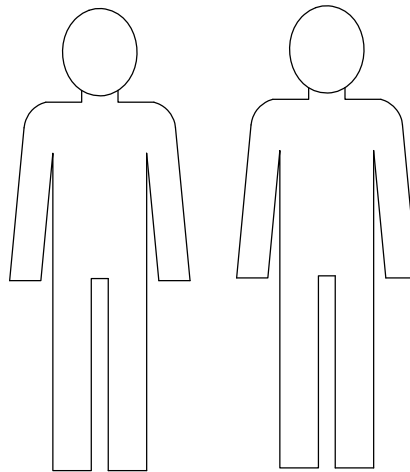
The John Lewis Team

Tools required

Time to assemble

20 minutes

People to assemble



Important safety information

Warnings

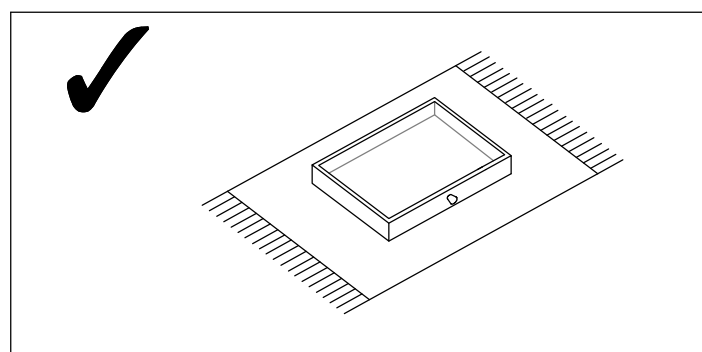
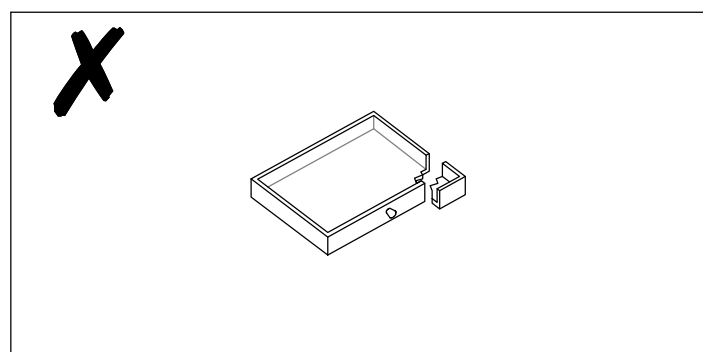
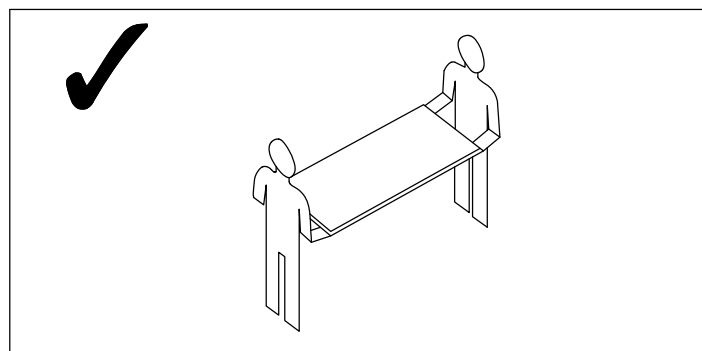
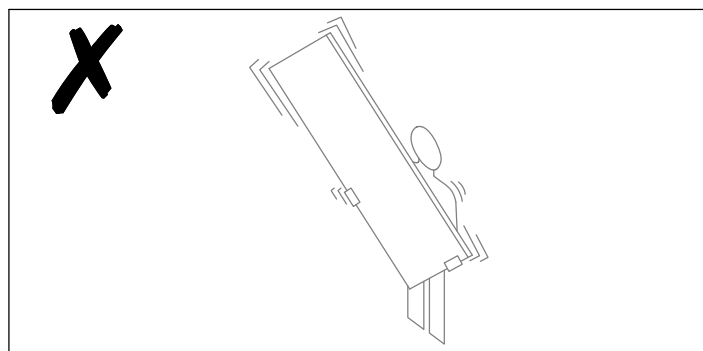
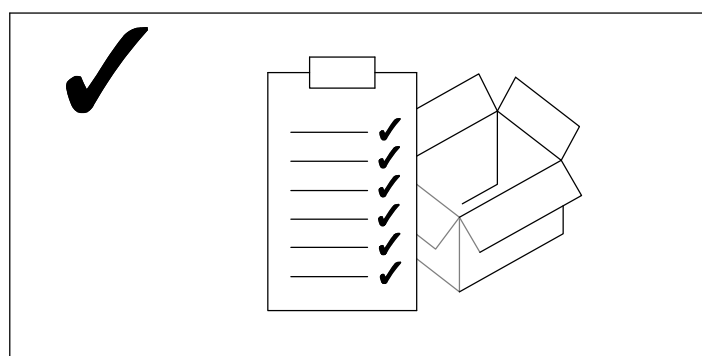
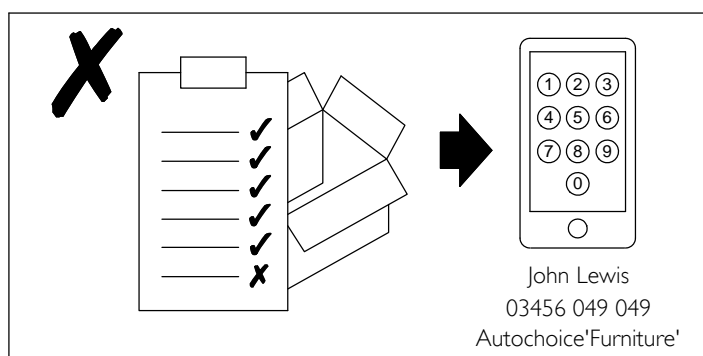
- ⚠ The product should only be used on firm, level ground.
- ⚠ Keep small parts out of reach of children.
- ⚠ Ensure the product is fully assembled as illustrated before use.

Do's

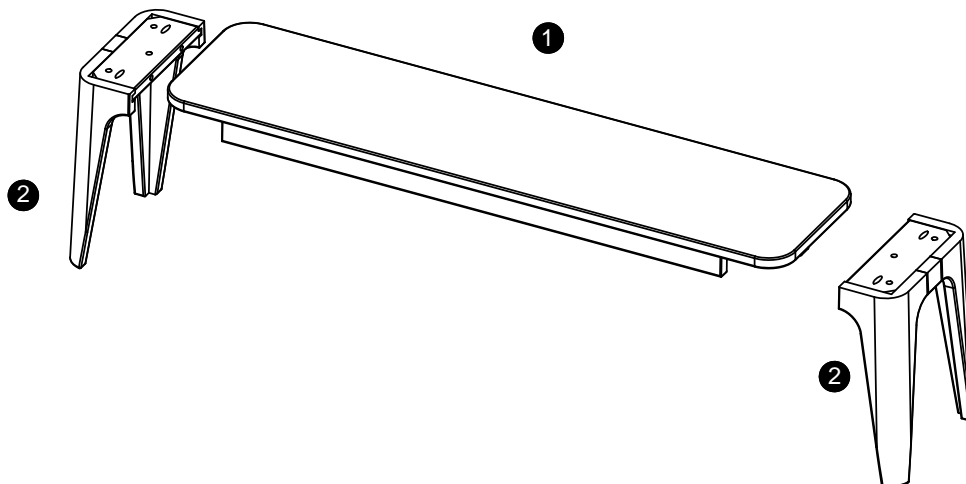
- ✓ Check the pack and make sure you have all the parts listed.
- ✓ Check all screws or bolts are tightened and inspect regularly.
- ✓ Make sure the legs remain in contact with the ground at all times.

Don'ts

- ✗ Do not over tighten screws or bolts.
- ✗ Do not stand on the product.
- ✗ Do not use power tools to construct as overtightening and panel failure may occur.



Your Bench



Ref	Description	Dimensions	Qty
1	Bench top	1400mm x 340mm x 74mm	1
2	leg	426mm x 348mm x 130mm	2

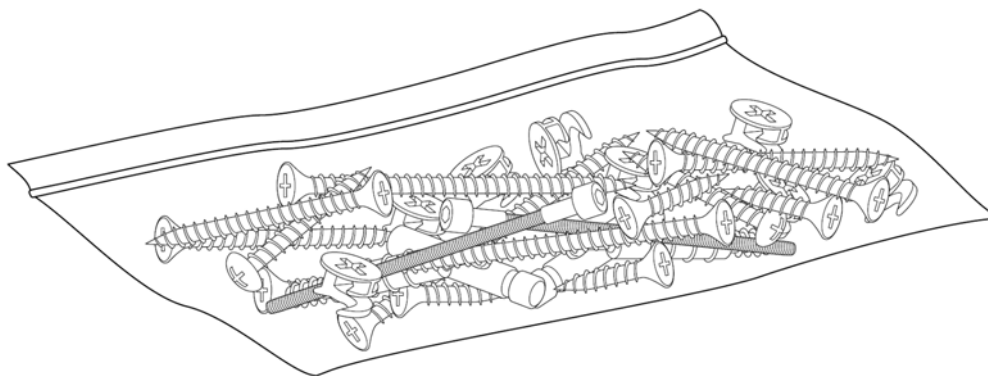
Internal dimensions

Stock Number: 836 23502

Bench overall size: L140 W34 H45 cm

Internal overall size: L112 W6 H37.5 cm

Fixtures and fittings



Fixtures and fittings supply (actual size)

Ref	Description	Dimensions	Qty	mm
A	Bolt	M8 x 45mm	4	
B	Bolt	M8 x 65mm	6	

Fixtures and fittings supply (not actual size)

Ref	Description	Dimensions	Qty	
C	Spring washer	M8	10	
D	Washer	M8	10	
E	Allen key L	5mm	1	

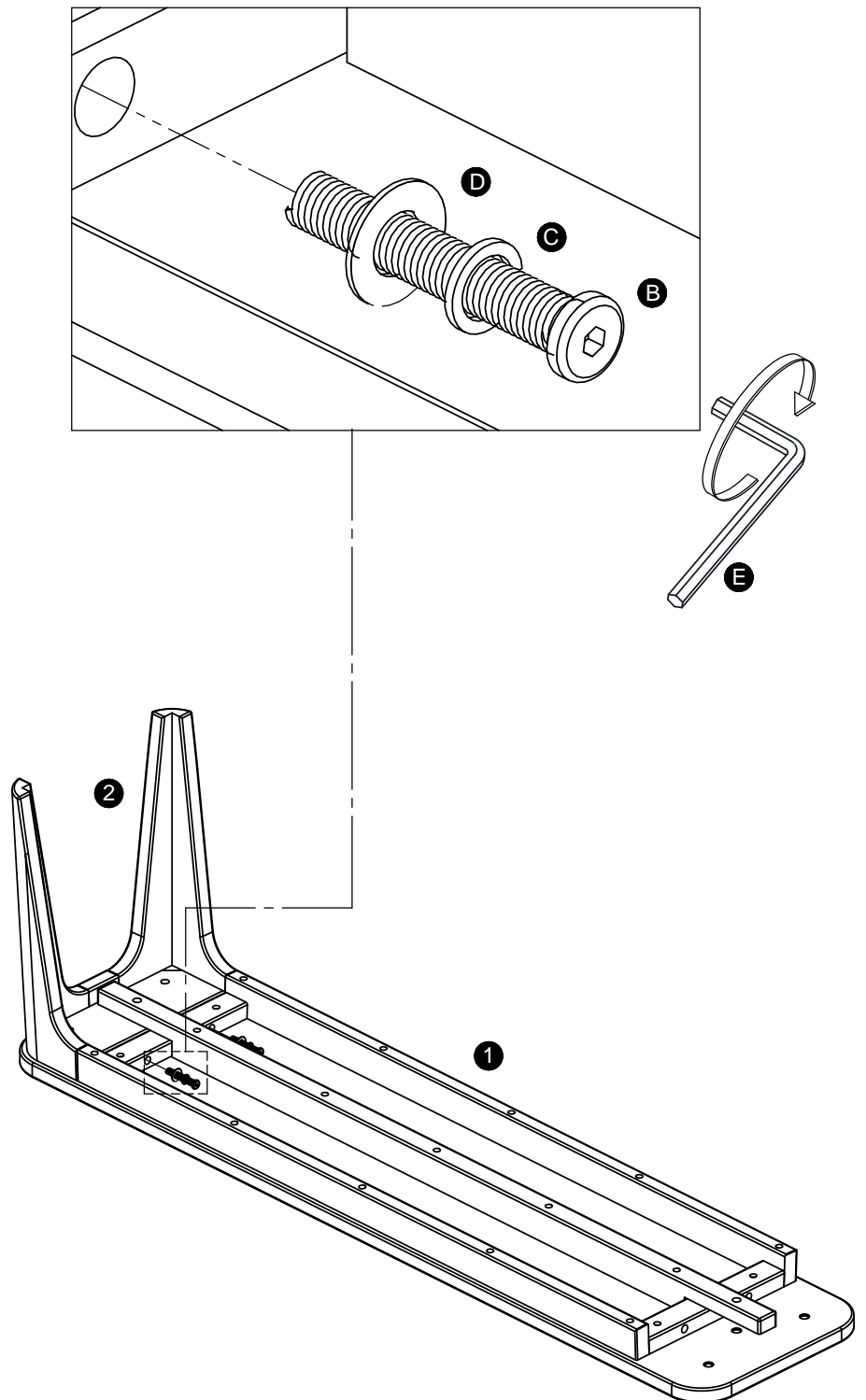
Product assembly

MIRA bench oak
836 23502

Step 1

Parts and fittings

- B** **C** **D** **E**
- 1** **2**



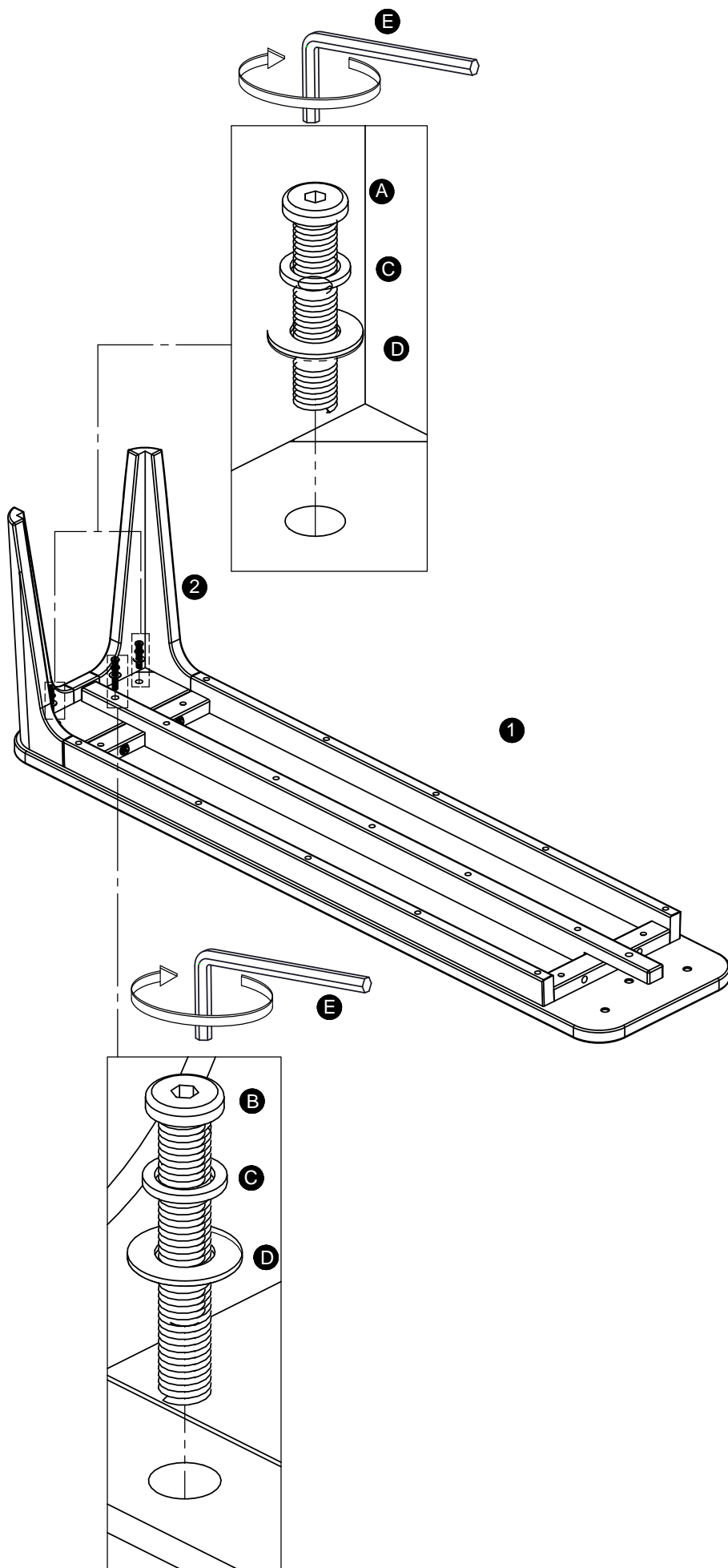
Product assembly

MIRA bench oak
836 23502

Step 2

Parts and fittings

- A** **B** **C** **D** **E**
- 1** **2**



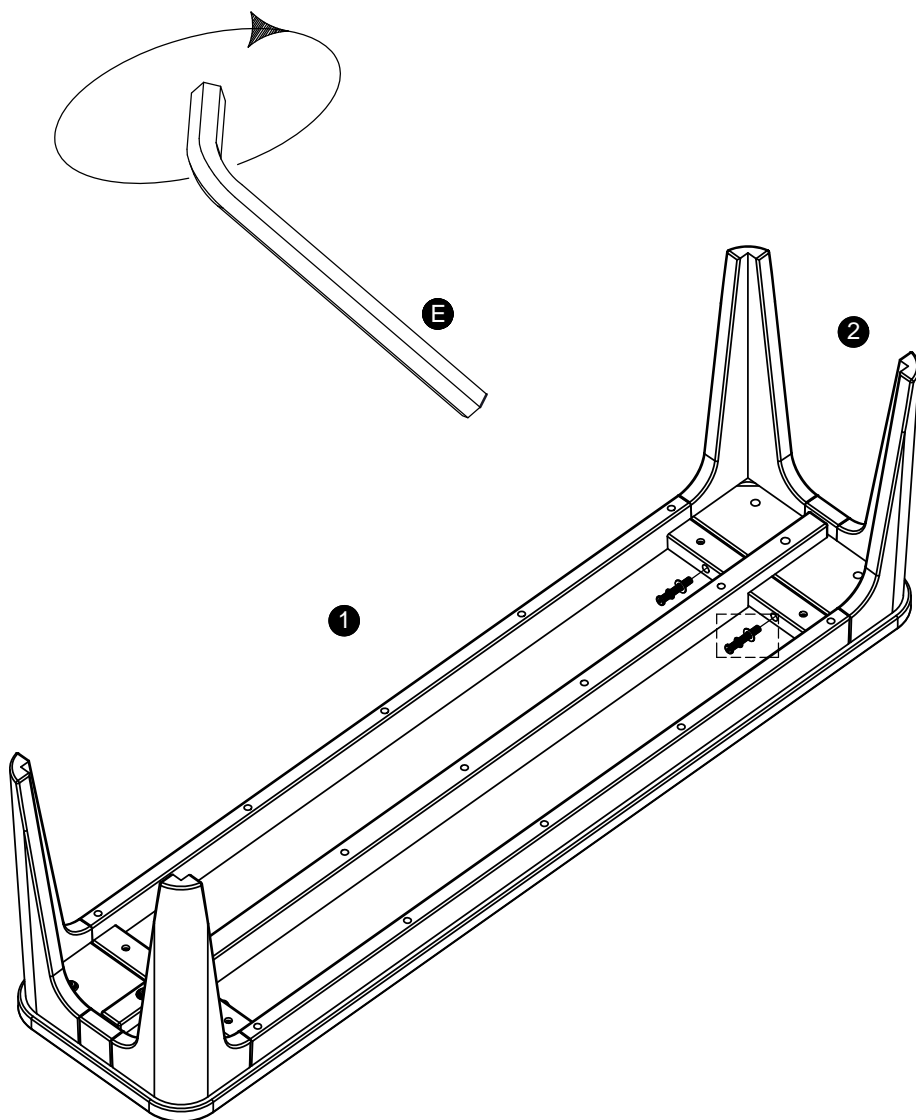
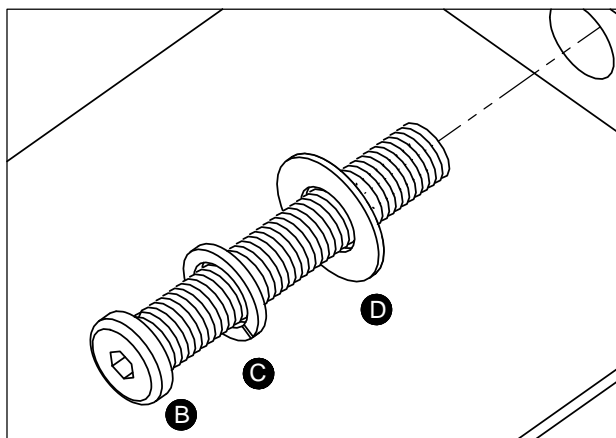
Product assembly

MIRA bench oak
836 23502

Step 3

Parts and fittings

- B** **C** **D** **E**
- 1** **2**



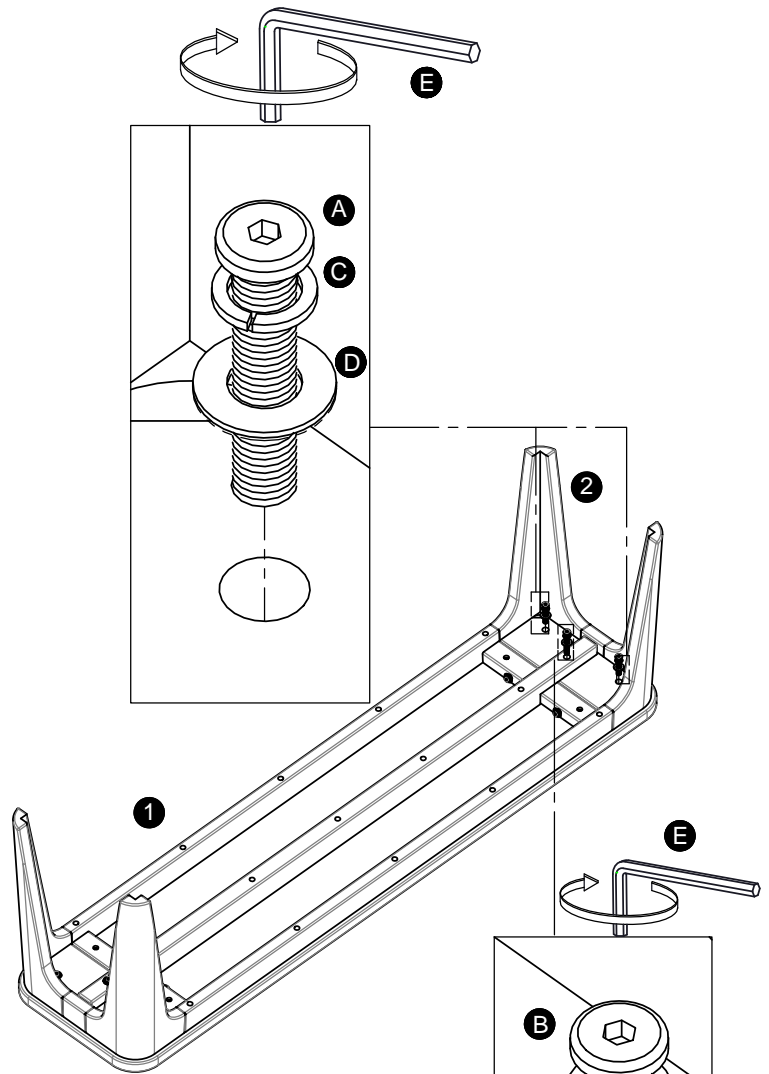
Product assembly

MIRA bench oak
836 23502

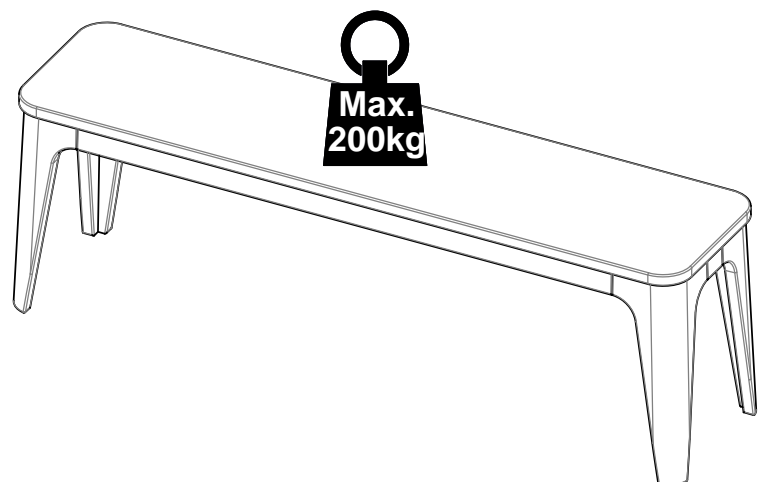
Step 4 Final assembly

Parts and fittings

- A B C D E
- 1 2



Bench specific warnings
Never tilt the bench. Ensure the bench is always placed firmly on the ground. Regularly check leg attachment and retighten screws as necessary. Do not use bench if legs are unstable. Please check fixings and tighten as required.



Returning the bench taking care not to pivot on the legs.

Care guide

Care and maintenance

Wood Furniture

Wood displays different grain patterns depending on which way they cut - for example, the 'medullary ray' which can appear on solid wood furniture is a mark of good quality timber - these are just characteristics of the natural beauty of the wood. Some furniture is also deliberately aged and rustic.

Wood veneers also allow a distinctive pattern to be created on some surfaces, such as tabletops and drawer fronts by the way slivers are arranged.

All timber surfaces will change colour and mellow over time. New furniture will initially vary in shade from items that have been previously purchased.

How to care for your wood furniture

Furniture with a whitened oil and painted surface should be dusted with a dry cloth.

Water and other liquids can cause discoloration and damage to the wooden surface. In case any liquids are spilled on the surface, remove immediately with a clean cloth. Avoid rubbing the spilled liquid into the surface, but wipe gently, using a clean, firmly wrung damp cloth. Dry afterwards using a clean, dry cloth.

Make sure all surfaces are protected from heat by mats and coasters. Wipe up spills immediately and ensure that a mat or pad is placed under paper if you are writing.

Our furniture will endure most temperatures in the home but it is best to avoid placing furniture next to heat sources such as radiators or fires. Be particularly careful with solid wood as the lack of humidity caused by home heating can cause damage such as warping.

Safety Instructions

Never drag furniture when moving it, always lift it.

Periodically check all fixings to ensure none have come loose and re-tighten where necessary.

Please take care when handling or moving the furniture as careless handling may cause damage or injury.

Furniture can be dangerous if incorrectly installed. Assembly should be carried out by a competent person. No liability will be accepted for damage or injury caused by incorrectly installed or assembled furniture.

Retain these instructions for future reference.