
Product information

- Indoor use only
- Dimmable - When used with dimmable bulbs
- Replacement bulbs should be the same type and rating, available from John Lewis Partners or other established brands
- Clean the fitting with a soft dry cloth. Do not use abrasive chemical cleaners as this will damage the finish

Aftercare and Troubleshooting

You've switched on the light, but it's not working:

1. Check your power supply is switched on
2. Turn off the light and check that the bulb is inserted correctly
3. Check the bulb is still in working order

If there are technical issues with this product that you can't solve, please contact your nearest John Lewis & Partners shop or call Technical Support on 03301 230106.


Specification

Max power: 6W
Recommended bulb:
1 x 6W LED E14 Candle bulb for maximum brightness.
Lower wattages are also suitable.
Rated input: 220 –240V, 50Hz
Bulbs not included
IP rating: 20
Weight: 0.76kg

5-year guarantee

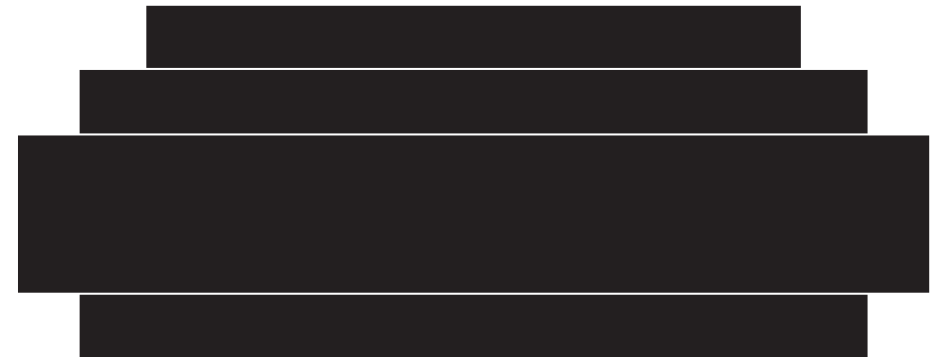
At John Lewis & Partners we test every light to high quality standards. That means we can offer you a 5-year guarantee.

Recycling

This symbol  indicates that this product should not be treated as normal household waste and it should be recycled. John Lewis & Partners do not operate instore take back, but as members of the Distributor Take Back scheme have funded the development and upgrade of recycling facilities across the UK. Please take it to your nearest collection facility or for further details contact your local council or visit www.recycle-more.co.uk.



MEZZE WALL LIGHT USER GUIDE



Thank you for purchasing this Mezza wall light. Please read the instructions carefully before use to ensure safe and satisfactory operation of this product.

Warnings!

This product is Class I and must be earthed.

Please read these instructions carefully before commencing any work. It is recommended that this fitting is installed by a qualified electrician.

Install in accordance with the IEE Wiring regulations and the Building Regulations.

To prevent electric shock switch off at mains supply before installing or maintaining this fitting.

Ensure other persons cannot restore the electrical supply without your knowledge.

If you are in any doubt, please consult a qualified electrician.

This light fitting should be connected to a 5 amp fused circuit.

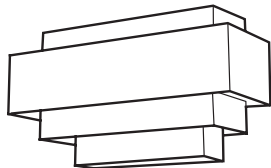

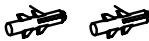
If replacing an existing fitting, make a note of the connections.

This product is suitable for indoor use only.

This product is suitable for installation on surfaces with normal flammability e.g. wood, plasterboard, masonry. It is not suitable for use on highly flammable surfaces (e.g. polystyrene, textiles).

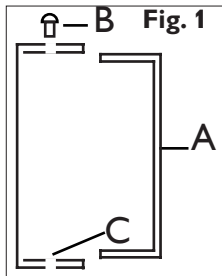
For your safety, always switch off the supply before changing lightbulbs, cleaning or removing shades.

Always take care when handling lightbulbs to avoid injury in case of breakage.

Parts list	Image	Quantity
Light fitting		1
Screws		2
Wall plugs		2

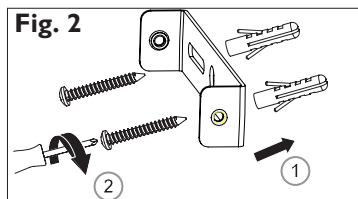
Assembly

Carefully unpack the carton, making sure all the parts are present before assembly.



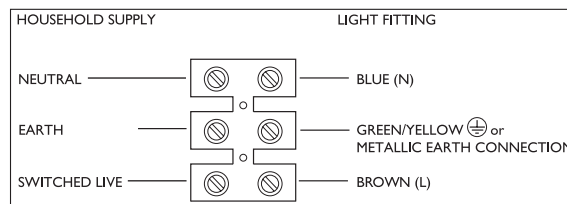
Step 1

See Fig. 1. Remove the fixing strap (A) from the wall back (C) by loosening the side screws (B).



Step 2

See Fig. 2. Attach fixing strap to the wall using the screws provided. Take care to avoid damaging any concealed wiring and pipes.



Step 3

Having identified the household wiring from your existing light fitting, connect to the connection block inside the product as shown.

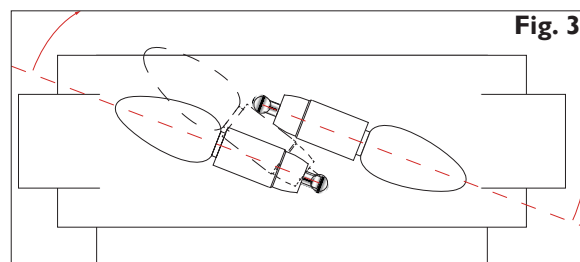
Check that....

- You have correctly identified the house wires.
- The connections are tight.
- No loose strands have been left out of the connection block.

When completed, ensure that there are no bare or loose strands of wire exposed, and cover all exposed areas of the connection block with 2 layers of insulation tape.

Step 4

Refer back to Fig. 1. This product has “L” shaped fixing slots to allow easy fixing to the fixing strap. Locate the “L” slots (C) around the small screws (B) on the fixing strap (A). Place the wall back over the strap and gently push down. Tighten the screws to secure. Take care not to trap any wiring.



Step 5

Fit the bulb per the requirement overleaf. The lampholder tilts to allow bulb to be fitted with ease - See Fig. 3. Replace fuse or circuit breaker and switch on. Your light is now ready for use.