

**Recommended bulb:**


1 x 6 W  
BC led energy efficient classic bulb clear  
or  
1 x 28 W  
BC eco halogen classic bulb

**Specifications:**

Max. power:40W  
Voltage: 220-240V~ 50/60Hz  
Weight: 2.48kg



Please retain these instructions for future reference.

This symbol  indicates that this product should not be treated as normal household waste and it should be recycled. John Lewis do not operate instore take back, but as members of the Distributor Take Back scheme have funded the development and upgrade of recycling facilities across the UK. Please take it to your nearest collection facility or for further details contact your local council or visit [www.recycle-more.co.uk](http://www.recycle-more.co.uk).

We have taken great care to ensure that this product reaches you in perfect condition. However, should any parts be damaged or missing please e-mail [lightingparts@JLPspares.co.uk](mailto:lightingparts@JLPspares.co.uk)

**Trouble Shooting:**

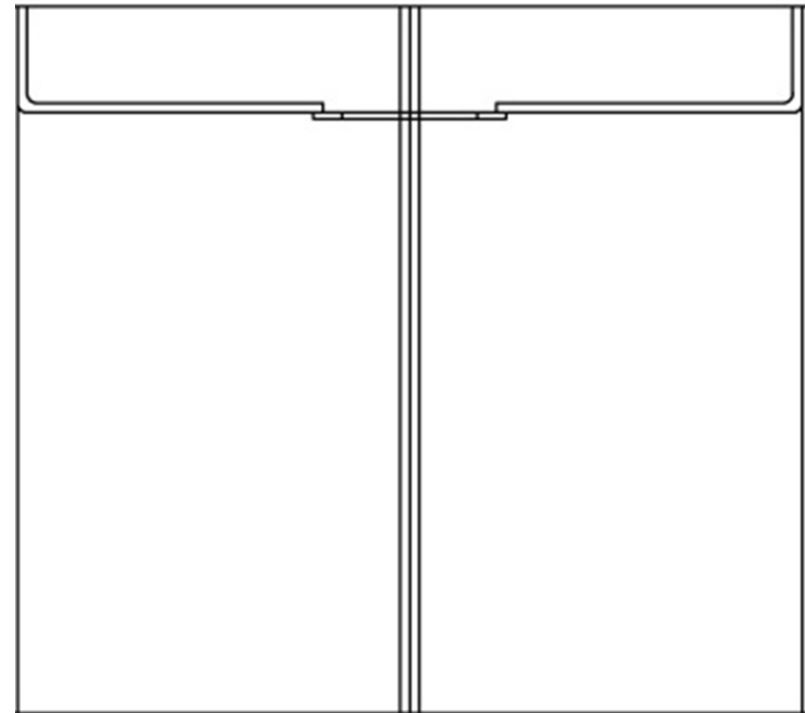
Why is the light not working when switched on?

Check your power supply is switched on  
Turn off light and check that the bulb is inserted correctly  
Check the bulb is still in working order.

John Lewis Partnership  
171 Victoria Street  
London SW1E 5NN  
johnlewis.com  
Made in China

John Lewis

User manual  
Leighton Glass  
Easy fit



Thank you for purchasing this Leighton glass easy fit  
Please read the instructions carefully before use to ensure safe and  
satisfactory operation of this product. Please keep these instructions  
for future reference.

### Warnings!

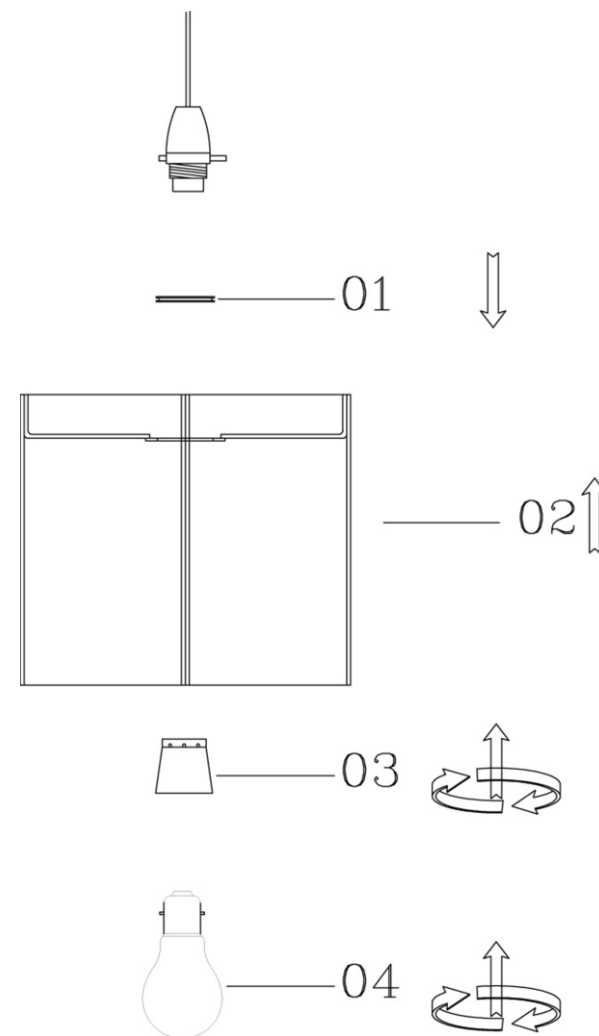
- Ensure electricity switched off at the fuse board.
- Remove the light bulb from lamp holder (leave for 10 min's to cool if lamp's been on).
- Remove shade ring from lamp holder.
- Secure fitting to lamp holder by replacing shade ring.
- Ensure the shade ring is firmly screwed to lamp holder.
- Refit light bulb
- Switch electricity on at the fuse board.

**CAUTION!** Please ensure the lamp holder cable  
is able to support the shade

### Instructions

- Install bulb (not included). **The wattage indicated must not be exceeded.**

### Installation Instructions



### Care instructions

We recommend cleaning with a soft dry cloth. Do not use abrasive materials as these will damage the finish.