

everdure
by heston blumenthal

FORCE™ FURNACE™

Assembly, operation &
maintenance instructions

for Everdure by Heston
Blumenthal FORCE™ &
FURNACE™ gas barbeques
and stands

[everdurebyheston.com/
international](http://everdurebyheston.com/international)

CE 2531-20

FORCE™

2 BURNER
GAS BARBEQUE



FURNACE™

3 BURNER
GAS BARBEQUE



Power by design.

THE OUTDOOR
PERFORMANCE

everdure
by heston blumenthal

CONTENTS / INDHOLD / SISÄLLYSLUETTELO / INNHOLD / INNEHÅLL / INHOUD

User and installation manual · EN.....	4
Brugs- og installationsanvisning · DK.....	24
Käyttö- ja asennusohjeet · FI.....	46
Bruks- og installasjonsanvisning · NO.....	68
Bruks- og installationsanvisning · SE.....	90
Gebruiks- en installatiehandleiding · NL.....	90

United Kingdom Customers Please Contact Kettler

Tel: 01527 591901

Website: www.kettler.co.uk

KETTLER

Scandinavian Customers Please Contact Witt

Email: everdure.service@witt.dk

Website: everdurebyheston.dk/fi/no/se

The Witt logo features a stylized crown or flame-like symbol above the word 'witt' in a bold, lowercase sans-serif font.

Netherlands Customers Please Contact TTP Concepts

Email: info@ttpconcepts.nl

Website: everdurebyheston.nl

ttpconcepts

LANG: EN**CONTENTS**

Important Safety Instructions	4-5
Appliance Details	6
Outdoor Installation Guide	7
Operating Instructions	8-9
Ignition Procedure	10
Cleaning & Storage	11
Troubleshooting	12
Barbeque Assembly	13-17
Maintenance	17
Parts List: Barbeque Assembly	18-21
Warranty	22

OPERATION AND MAINTENANCE INSTRUCTIONS FOR E2G2G, E2G2M, E2G2S, E2G2B, E2G2O, E3G2G, E3G2M, E3G2S, E3G2B and E3G2O GAS BARBEQUE RANGE Everdure by Heston Blumenthal outdoor gas barbeques. It is important that you retain these instructions, proof of purchase as well as other important documents about this product for future reference. Due to continual product development, Everdure by Heston Blumenthal reserves the right to alter specifications or appearances without notice. Dispose of packaging responsibly – recycle where facilities are available.

everdure
by heston blumenthal

everdure
by heston blumenthal

IMPORTANT SAFETY INSTRUCTIONS

IMPORTANT: Read the safety precautions of this booklet carefully before removing the barbeque from its carton or connecting the barbeque to its gas supply.

WARNING: Accessible parts may be very hot. Keep young children away

1. This gas barbeque and stand set are intended for USE OUTDOORS ONLY. This appliance must **NOT** be used indoors.
2. For your safety and enjoyment, read the instructions before using the appliance.
3. Ensure that all gas connections are tight before operating this appliance (refer to leak testing procedure in this manual). Always check for leaks when a gas cylinder is replaced or reconnected.
4. If not mounted on the cylinder hook, always place gas cylinder on a flat level surface.
5. Unsupervised children or pets should not be near a barbeque while cooking or during warm up or cool down. Ensure children or pets are kept a distance well away from the barbeque whilst it is in use. Ensure that young children do not play with the appliance. This appliance is not intended for use by young children or infirm persons.
6. Particular care must be taken when removing the fat tray and the disposable foil trays. Mishandling of hot oil and fats can cause serious injury. Take care when changing plates & grills that parts are not hot & oil or fat does not drop onto the burner. Take care that the burner ports/venturi do not block up.
7. Turn gas valve/control knob and gas cylinder valve off after use. Do not allow build-up of unburned gas.
8. Never leave the burners on high for more than 5 minutes unless actually cooking. When cooking with the hood down, always follow the instructions in the Roasting section of this manual.
9. Do not move the appliance during use. The barbeque should only be lifted by the serveries at either side. Take care that undue pressure will not be placed on the gas hose, or turn off the gas supply & remove the hose from the cylinder or gas source (not at the barbeque). Take care that the fat tray & disposable aluminium foil tray are removed to minimise fat/oil spillage. It is recommended that protective gloves be worn when handling any hot components. Parts that are sealed by the manufacturer or agent must not be altered.

10. This barbeque has been designed to be used either on the supplied trolley or on a raised bench. When using a raised surface (table etc.), ensure the surface is level, large enough and strong enough to support the barbeque and will withstand temperatures of 60°C above ambient temperature. When using the stand, ensure that your barbeque is in a level position and the barbeque is secured onto the stand correctly (four screws at the barbeque base).

11. People with flammable clothing such as nylon etc. should keep well away from the barbeque when it is operating. This appliance must be kept away from flammable materials during use.

12. Do not use this appliance for any purpose other than what it is intended for. Any modification of the appliance may be dangerous. Do not modify the appliance.

13. In case of fat fire turn cylinder off. The fat tray should be cleaned and checked before using the barbeque. Disposable aluminium foil trays should be replaced before using the barbeque. Regular cleaning should reduce the build-up of fat and food residues which is combustible and can result in a fat fire. **Fat fires can be prevented with diligence in cleaning your fat tray and regular replacement of aluminium foil trays.** Do not allow the aluminium foil tray to overflow. Damage as a result of fat fire is not covered by your warranty and voids it. Do not use sand, kitty litter or fat absorbents in the fat tray or disposable aluminium foil tray.

14. Ensure that the product has adequate clearance from combustible materials. The appliance is designed so that heat will not affect the stand. All combustible materials must be kept more than 250mm from the sides and rear of the barbeque and more than 1500mm above the cooking surface of the barbeque.

15. If a burner makes a hissing sound when lit, it may be burning inside. Turn the burner off, allow to cool, and try ignition again. Keep your barbeque protected against strong wind – if this cannot be avoided, always check that the burners remain alight if operating the barbeque in windy conditions.

16. Do not carry out any servicing on the gas manifold of the barbeque yourself – this must only be done by authorised technicians.

17. We recommend that you regularly maintain your barbeque and keep it in good condition. This can be achieved by following the cleaning and maintenance suggestions in this booklet.

18. When not using the stand, the cylinder should be placed at a lower level to the barbeque, as far away as the hose will allow without undue tension on the hose,

in a protected spot (so it does not receive any fat splatter from cooking or can be accidentally knocked over). When using the stand, hang the gas cylinder from the cylinder hook. If this cannot be done (due to the design or size of the cylinder), the gas cylinder should be placed beside or behind the appliance, in a safe position protected from any fat splatter.

19. This appliance is not suitable for mounting in a movable vehicle (boat, trailer etc).
20. Do not use or store this appliance in areas of high salt content (a marine environment) or an area with caustic fumes or liquids (such as a domestic pool), as these chemicals can cause the appliance materials to deteriorate (and void the warranty). Regular cleaning and covering with an everdure by heston blumenthal barbeque cover can help to reduce this.
21. The appliance shall be supplied with an approved hose which is certified to applicable EN Standards that is not exceeding 1.5m. For Finland, the hose length shall not exceed 1.2m. The gas regulator should be certified according to EN16129 (flow rate max. 1.5kg/hr). These should be connected as per local regulations. Position hose clamps and tighten. Do not allow the hose to kink or twist during installation and use. Change a new hose if leakage/blockage is sighted. It is suggested that the hose is changed every 3 years.



DO NOT OPERATE THIS APPLIANCE BEFORE READING THE INSTRUCTION BOOKLET

DO NOT PLACE ARTICLES ON OR AGAINST THIS APPLIANCE

DO NOT STORE CHEMICALS OR FLAMMABLE MATERIALS OR SPRAY AEROSOLS NEAR THIS APPLIANCE

DO NOT OPERATE THIS APPLIANCE INDOORS

DO NOT ENCLOSE THIS APPLIANCE. THE MINIMUM CLEARANCE FOR THIS UNIT IS 1500mm ABOVE THE COOKING SURFACE AND 250mm FROM ANY SIDE

DO NOT LIGHT WITH HOOD DOWN

everdure
by heston blumenthal

everdure
by heston blumenthal

APPLIANCE DETAILS

Note: The size of the injector diameter is stamped on one of the hexagon faces (e.g. '165' for Ø1.65mm injector).

MODEL DESIGNATION	DESTINATION COUNTRIES	HEAT INPUT	BURNERS	INJECTOR SIZE	GAS CATEGORY	GAS TYPE
FORCE™	BE, FR, IT, LU, IE, GB, GR, PT, ES, CY, CZ, LT, SK, CH, SI, LV	2x3.9kW	2	φ0.95mm	I 3+(28~30/37)	Butane at (28~30) mbar/ Propane at 37 mbar
	LU, NL, DK, FI, SE, CY.CZ, EE, LT, MT, SK, SI.BG, IS, NO, TR, HR, RO, IT, HU, LV	2x3.9kW	2	φ0.95mm	I 3B/P(30)	Butane, Propane and their mixtures at 30mbar
	AT,DE,CH,LU, SK	2x3.9kW	2	φ0.83mm	I 3B/P(50)	Butane, Propane and their mixtures at 50mbar
FURNACE™	BE, FR, IT, LU, IE, GB, GR, PT, ES, CY, CZ, LT, SK, CH, SI, LV	3x3.2kW	3	φ0.85mm	I 3+(28~30/37)	Butane at (28~30) mbar/ Propane at 37 mbar
	LU, NL, DK, FI, SE, CY.CZ, EE, LT, MT, SK, SI.BG, IS, NO, TR, HR, RO, IT, HU, LV	3x3.2kW	3	φ0.85mm	I 3B/P(30)	Butane, Propane and their mixtures at 30mbar
	AT,DE,CH,LU, SK	3x3.2kW	3	φ0.74mm	I 3B/P(50)	Butane, Propane and their mixtures at 50mbar

PIN CODE: 0845CR-0069

Barbeque	FORCE™			FURNACE™		
	LENGTH (mm)	WIDTH (mm)	HEIGHT (mm)	LENGTH (mm)	WIDTH (mm)	HEIGHT (mm)
Barbeque only	1170	515	410	1310	515	410
Barbeque and stand	1170	750	1170	1310	750	1170

Air is admitted at the underside of the combustion chamber (two 35mm x 20mm gaps between the fat tray and the chamber through an oval hole 75mm x 135mm in size). Exhaust gases are emitted around the edge of the plates (6mm gap) and through a 275mm x 40mm slot in the rear of the hood. When using an open grill, aeration also takes place through the slots of the grill. Burner aeration 17.8mm x 5mm both sides.

GAS CONNECTIONS

BUTANE & PROPANE GAS REQUIREMENTS

Check Gas Type and specifications plate on the underside of the RHS servery.

FOR GAS CYLINDER CONNECTION

1. To achieve the optimum performance from your barbeque, an approved gas cylinder/ bottle must be used. The supplied hose and/or regulator must first be connected to the barbeque inlet.
2. Do not connect a gas cylinder/ bottle to a barbeque that is not secured in the supplied stand or on a stable raised surface. The cylinder should be lower than the barbeque, in a protected place on a stable surface.
3. Before connecting gas supply, take care that all gas control knobs are in the off position. Take the supplied Propane (37mbar) snap on regulator and adjust the regulator handle to off. Press the regulator down onto the cylinder valve until a click is heard. Once connected, turn the regulator handle to on to turn on the gas supply. Check all joints are secure.
4. To remove the regulator from the cylinder, turn the regulator handle to off, press the handle inwards and lift the regulator away from the cylinder valve.

NOTE: Only one gas cylinder should be stored on the stand at any one time.

LEAK TESTING

1. Make sure the gas control knob is **Off** and turn the cylinder valve **On**.
2. Check for leaking joints by brushing with solution of half-liquid detergent and half water. If a leak is present, bubbles will appear (or you may hear a hissing sound). Retightening connections can generally repair a leaking joint. You must also check the gas hose and connection at the gas cylinder. If a leak cannot be resolved, do not proceed and turn the gas cylinder/bottle valve off.



**DO NOT USE NAKED FLAME FOR LOCATING GAS LEAKS.
IF A LEAK PERSISTS CALL AN AUTHORISED GAS FITTER.**

GAS CYLINDER

For mounting on the cylinder hook, the gas cylinder height cannot exceed 500mm and the diameter cannot exceed 320mm. If larger, place the cylinder on a flat level surface, where access to the cylinder valve is available, the hose does not come into contact with sharp edges or hot surfaces and where undue tension is not placed on the hose. Make sure that the gas cylinder and the routing of the flexible tube does not touch the trolley of the appliance or any hot/sharp surface. Always change the gas cylinder away from any source of ignition.

OUTDOOR INSTALLATION GUIDE

This Appliance shall only be used in an above ground open-air situation with natural ventilation, without stagnant areas, where gas leakage and products of combustion are rapidly dispersed by wind and natural convection.

This appliance must not be used indoors. Do not use your barbeque in garages, porches, sheds or other enclosed areas. The barbeque is not intended to be installed in or used on recreational vehicles (e.g. boats, camping vans) and should not be placed close to or under any surfaces that will burn or are sensitive to heat. Do not block/obstruct the flow of air and combustion around the barbeque housing while in use.

OPERATING INSTRUCTIONS

GENERAL INSTRUCTIONS

A fairly protected location is desirable for pleasant and efficient cooking. Try to keep the barbeque sheltered from strong winds as this will drastically reduce cooking efficiency. If this is unavoidable, position the length of the barbeque to be parallel in the direction of the wind. Keep the barbeque level. Check frequently that the burner remains alight when used in conditions of strong wind (through the viewing hole on the left hand side of the chassis or through open grills). Make sure the minimum distances of the barbeque to any wall or combustible surface are met, and that when not using the stand, the supporting surface can withstand the heat. When using the stand, take care that the barbeque is locked in position using the locks on the castors & the hose is not touching any hot surface.

GAS TYPE AND CONSUMPTION

The barbeques are designed to operate on Propane and/or butane gas only. Gas consumption, Pressure and Injector Orifice sizes are shown on the Data Plate found under the right hand servery.

GAS CONTROL KNOB

The gas control knob locks in both the **Off** and **High** positions. By depressing the knob and turning anti-clockwise, gas flow will gradually increase until the High position is reached. Continue turning in this direction and gas flow will decrease until a simmer level is reached at Low. To turn gas flow off the gas control knob must be turned clockwise from Low, depressed at High and turned until the Off position is reached.

MATT VITREOUS CAST IRON OPEN GRILLS AND SOLID PLATE

The FORCE™ 2 burner and FURNACE™ 3 burner barbecues are supplied with open grills. A flat, solid plate is available as an accessory for the FURNACE™ for the right hand side (this is the recommended general grill and plate configuration which will reduce the heat flowing over the control knobs). The FURNACE™ 3 burner barbeque has the option of a

central Teppanyaki plate or a flat, solid plate for the right hand side. Note that the grills and plates used on either barbeque cannot be used on the other model and a maximum of one grill plate should be exchanged for a plate at any time (only one plate installed). The open grills have a solid strip of cast iron built into the bottom of the grill used to protect the burner from dropping oil or food. The grills are fitted onto the supports built into the inside of the chassis. When correctly allocated, there should be a 5-6mm gap between the grills, and the inner edge of the chassis. Any excess fat or liquid will flow into the chassis and drip through the barbeque into the fat tray and foil tray below the chassis. If burner ports become blocked, let the barbeque cool down & clean the burner with a wire brush. This barbeque. For a list of accessories go to the Everdure by Heston Blumenthal website.

NOTE: The enamel coating can be damaged by steel utensils. Damage to plates and grills due to the use of metallic or sharp objects will not be covered under warranty. It is recommended to use silicone cooking utensils as these are both hygienic and withstand high temperatures.

FAT TRAY

Prior to use check that the fat tray is clean and lined with a disposable foil tray. Use only foil trays supplied for the barbeque, as trays of an incorrect size or height could cause problems with aeration to the barbeque or spilled fat and oils. Make sure the fat tray assembly is fully installed under the barbeque before operating the appliance.

UNDER NO CIRCUMSTANCES MUST SAND, KITTY LITTER OR FAT ABSORBENTS BE USED IN THE FAT TRAY OR FOIL TRAY.

ROASTING

Roasting (or running the barbeque with the hood down) should not be done with all control knobs set to high. This is most important as severe overheating and spoilt food can result if these instructions are not followed. Roasting is best done using a raised roasting rack, such as the Everdure by Heston Blumenthal roasting rack HBROASTR, which allows heated air to circulate around the meat, and fats to drip away from the meat.

Always set the barbeque up with the standard full grill combination as spelled out in the assembly instructions. Cut a piece of foil slightly bigger than the roasting rack and place it in the centre of the barbeque on top of the grills. Cut some slots through the foil so that excess moisture and fats can flow through the grills. Place the roasting rack centrally over the foil. Pre-heat the barbeque for 5 minutes with the hood down and the outer gas controls on high (for FURNACE™ barbeques, **leave the centre control knob off**).

Once the barbeque has reached ~180°C, open the hood, place the food on the roasting rack, close the hood and turn the control knobs down to low (these can be adjusted during roasting to keep the internal temperature stable, as weather conditions such as temperature and wind speed will affect the efficiency of the barbeque). Monitor the food cooking periodically until food is cooked.

ADJUSTING THE SERVERY

The left hand servery can be folded down to allow for easier storage (the right hand servery with the gas controls is fixed and cannot be adjusted). With the barbeque off and cool, place your left foot in front of the left rear leg to stabilise the barbeque and pull the servery forward to unlock it from the barbeque. With the servery fully extended, rotate it downward and release. See step 9 of the barbeque and stand assembly procedure for diagrams.

AFTER COOKING

1. When finished, make sure burner control knobs are turned **OFF**.
2. **TURN OFF THE GAS SUPPLY AT THE GAS CYLINDER AFTER USE.**
3. After cooking and whilst the barbeque is still warm, remove scraps from the grill with a non-metallic scraper.
4. Excess fat and meat scraps can be scraped off the inside of the chassis by removing

the grill/plate to gain access.

WARNING: Some surfaces may still be hot – please use protective gloves.

5. Clean the fat tray and replace the aluminium foil tray after or before each use of the appliance.
6. Once the barbeque is cool close the hood and wipe off any fat splatter from the stand with a clean rag.

LIGHTING PROCEDURE



READ ALL OPERATING INSTRUCTIONS BEFORE LIGHTING THE APPLIANCE

OPEN THE HOOD BEFORE LIGHTING

MAKE SURE THE GAS CONTROL KNOB IS IN THE 'OFF' POSITION AND OPEN CYLINDER/BOTTLE VALVE

MAKE SURE THE GRILL AND PLATE ARE IN THE CORRECT POSITIONS FOR COOKING

LIGHTING THE BARBEQUE USING THE BUILT IN IGNITION ON THE CONTROL KNOBS

The FORCE™ and FURNACE™ barbeques have a rotary ignition system built into the gas valves, accessed by using the control knobs built into the right hand servery. To ignite a burner, push the appropriate control knob down and slowly rotate anti clockwise. This starts releasing the gas into the burner. As the knob reaches the ignition symbol on the control panel, a spark will ignite the gas in the burner. The knob can then be rotated the rest of the way to “HIGH” and released, or adjusted to the appropriate temperature setting.

If the burner does not ignite, return the control knob to the “OFF” position and retry. If there is still no ignition after 5 attempts, leave the barbeque off and retry again in 5 minutes time.

There are 2 control knobs on the FORCE™ barbeques and 3 control knobs on the FURNACE™ barbeques (one for each burner under a plate or grill). The control knob closest to the rear controls the burner to the right. The control knob closest to the front controls the burner to the left. The central control knob (FURNACE™ barbeque only) controls the centre burner.

CLEANING & STORAGE

EXTERNAL CLEANING

Before cleaning the barbeque exterior and stand, ensure the appliance has cooled and is safe to touch. Painted and plastic surfaces can be cleaned using a mild household detergent or cleaner and a clean cloth (do not use scourers or harsh detergents). **It is advisable to test cleaners on a small section of the appliance first. NEVER** use paint thinners or similar solvents for cleaning and **NEVER** pour cold water over hot surfaces. Dry the surface afterwards.

INTERNAL CLEANING

Before cleaning the internal parts of your barbeque, ensure the appliance has cooled and is safe to touch. The inside of the hood can be cleaned by using some water, mild detergent and a sponge or mild scouring pad. The non-stick coated surface of the hot plate should be cleaned carefully so as not to scratch the surface as above, preferably when the surface is still warm. For hard to clean areas, use a little baking soda on a wet sponge. Do not use abrasive cleaners.

WARNING! The surfaces of the plates may be hot. Please ensure protective gloves are worn.

STORAGE

When the appliance is not in use, the cylinder valve must be turned OFF, the barbeque, stand and the cylinder together must be stored outdoors in a well ventilated area. However it is permissible to store the appliance (but not the cylinder) indoors. Ensure the cooking surface is clean before storing away.



STORE CYLINDER IN A WELL VENTILATED AREA OUT OF REACH OF CHILDREN

When the gas cylinder is disconnected, replace the plug or cap on the valve outlet. For extended storage it is suggested that the primary air-port of the burners be covered against the penetration of insects or vermin. Spiders and small insects can spin webs or nest in the burner rails/tubes, which could lead to obstruction in the gas and air flow, resulting in a fire in an around the burner rails/tubes. This type of fire is called a flash-back and can cause serious damage to your barbeque and create an unsafe operating condition. To prevent this, regularly inspect and clean the burners. Use an Everdure Heston Blumenthal FORCE™ or FURNACE™ barbeque cover for extra protection, and to reduce this.

TROUBLESHOOTING

Burner will not ignite when using the igniter:

Cylinder valve is not on	Turn cylinder valve on
Cylinder is empty	Replace with a full cylinder/bottle.
Igniter is not sparking	Remove grill/plate and visually check ignition box for a spark. Check that the cables to ignition point, or from the valve to the chassis have not broken or disconnected. Also check the alignment of the sparker. If there is no spark, contact service provider.
Injector is blocked	Clean injector with a toothbrush. Do not drill out or use wire. Do not remove injector. Contact service provider.

Burner flame is erratic:

Burner is blocked	Remove cooking surface and check burner for obstruction. Clean ports.
Flame is burning inside burner (hissing sound)	Turn off burner, allow to cool and re-ignite as per instructions.
Regulator is faulty	Contact service provider.
Injector is partially blocked	Clean injector with a toothbrush. Do not drill out or use wire. Do not remove injector. Contact service provider.

Gas is leaking from connections:

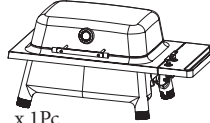
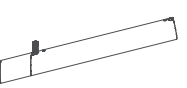

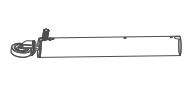
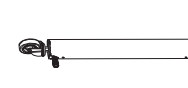



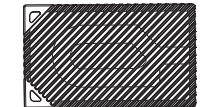

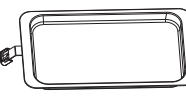
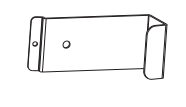

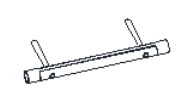

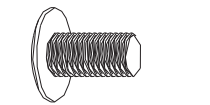
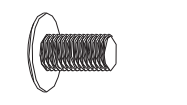



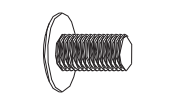

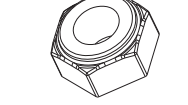


Connections are loose	Tighten loose connections (do not over-tighten) and leak test under pressure with soapy water solution (page 7)
Hose has deteriorated	Contact service provider - replace.
Gas valve is faulty	Contact service provider
Threads are damaged	Contact service provider

BARBEQUE AND STAND ASSEMBLY

The barbeque and hood come fully assembled. To assemble, the stand must first be built (note: for transportation reasons, the barbeque is packaged bolted to the stand top, and should be removed before attempting to assemble the stand). The barbeque is placed back inside the stand after it has been assembled and reattached (it can be removed to cook from a raised bench). Only a medium size Philips screwdriver is needed.

Open the carton from the top and remove the parts. Remove all packaging (especially check inside the barbeque chassis) and place parts on a clean surface. Check for any damage or missing parts (if found, contact your service provider).

INCLUDED PARTS FORCE™ AND FURNACE™

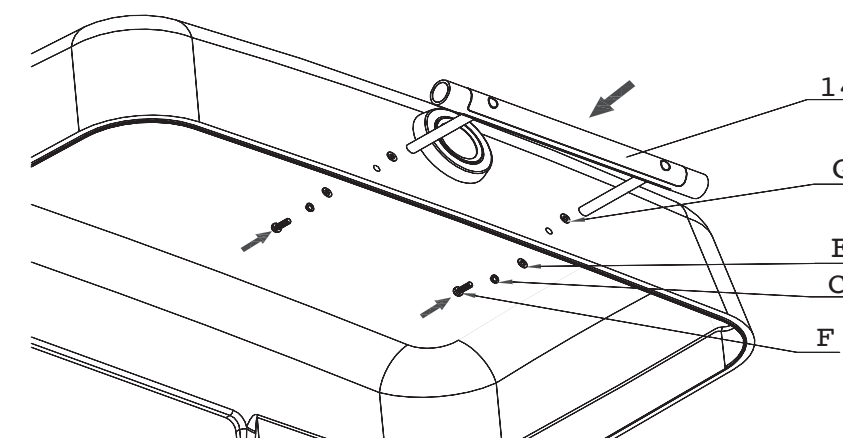
01/ Hood, barbeque chassis and 01B stand top assembly x 1Pc	02 / Left front leg x 1Pc	03 / Left back leg x 1Pc	04 / Right front leg x 1Pc	05 / Right back leg x 1Pc	06 / Bottom shelf support 2Pcs x 1Pc	07 / Bottom shelf x 1Pc	08 / Cast iron grill x 1pcs (FORCE model only)
							
09 / Cast iron middle grill (FURNACE model only) x 1Pc	10/ Cast iron grill x 2Pcs (FURNACE model only)	11 / Fat tray x 1Pc	12 / Cylinder hook x 1Pc	13 / Gas cylinder support chain x1Pc	14/ Hood Handle x 1pc	15/ Left Hand Servery x 1Pc	
							
A / Bolt M6x12 x 15Pcs	B / Bolt M5 x 12 x 4Pcs	C / Spring washer Ø5 x 6Pcs	D / Spring washer Ø6 x 5Pcs	E / Flat washer Ø6 x 10Pcs	F / Bolt M5 x 30 x 2pcs	G / Flat washer Ø5 x 2Pcs	H / Nut M6 x 3Pc
							
I / Bolt M6 x 85 x 2Pcs	J / Hinge Spring x 2Pcs						
							

PACKAGING

Remove all internal cartons and packaging from within the barbeque/hood assembly. Remove all external packaging and remove the appliance from the packaging base before operation. Recycle as per your local government laws.

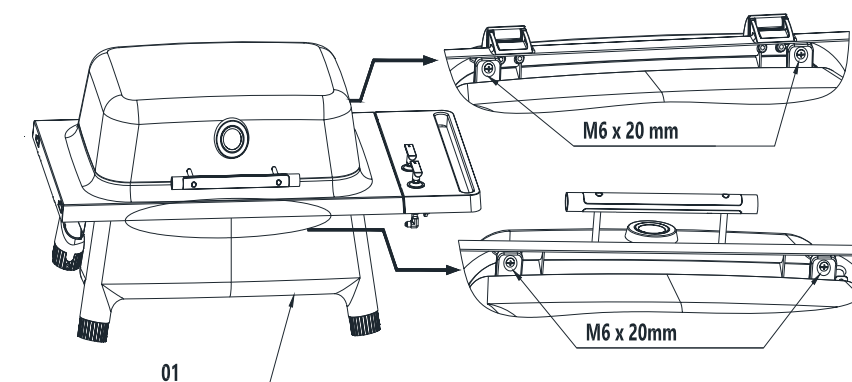
STEP 01

/Open the hood and fix the hood handle (14) using two M5x30mm screws (F), two Ø5mm spring washers (C), two Ø6mm flat washers (E) and two Ø5mm fibre glass washers (G). Tighten in place

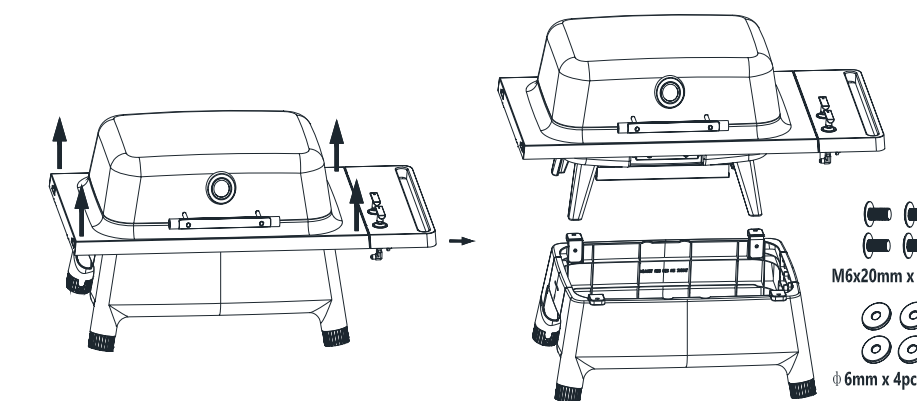


STEP 02

/The hood and barbeque chassis assembly is transported screwed to the stand top by four M6x20mm screws and four Ø6mm spring washers (two at the front and two at the rear). Before attempting to build the stand, the stand top should be removed.

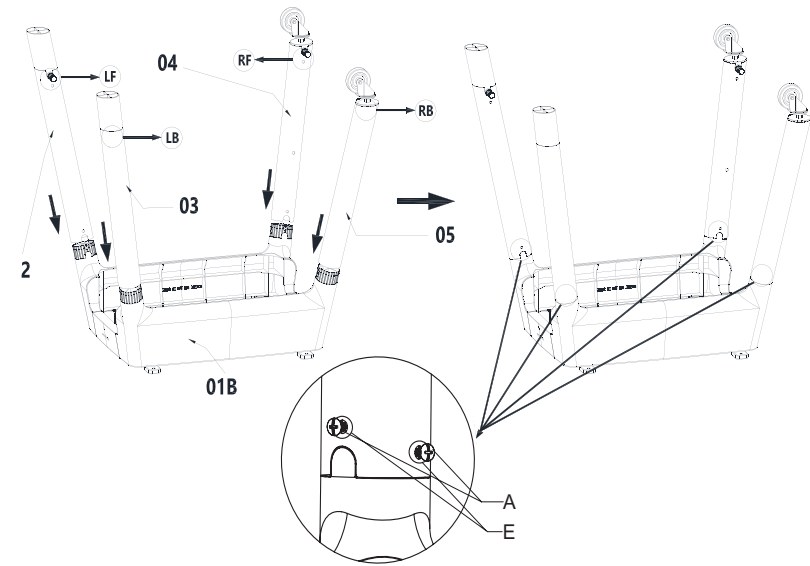


Angle the assembly slightly to the back and remove both M6x20mm screws, then do the same at the front, supporting the parts so they don't drop. Keep all of the fasteners for later use. Removable stickers at the front and rear will mark the positions of these screws. Remove the hood and barbeque chassis assembly from the stand top and place on the ground.

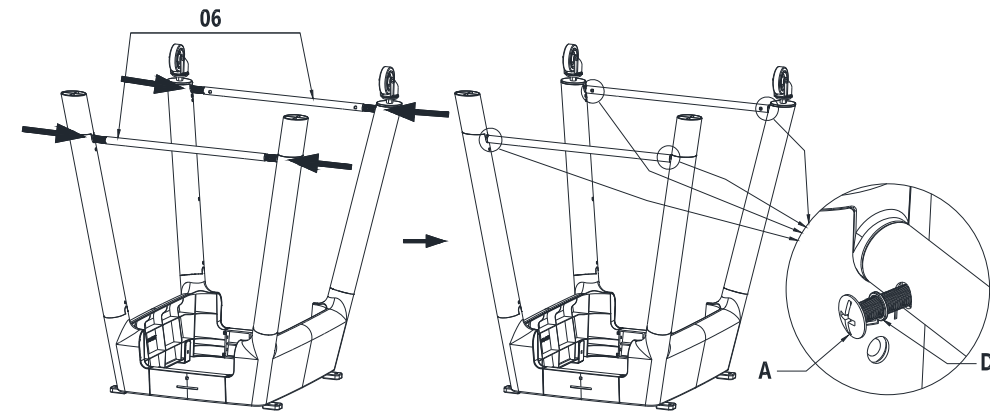


STEP 03

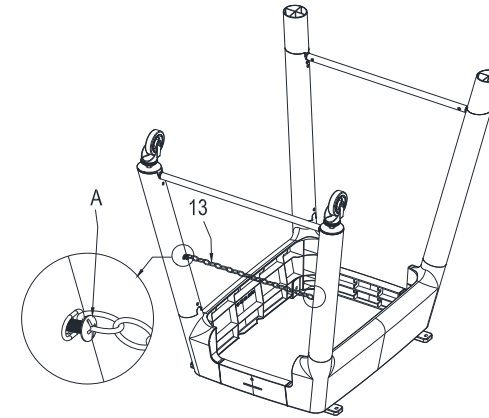
/Take the stand top (01B) and place it upside down (leg stumps up) on a clean surface (note: there is no front or rear to this part). Take the right front leg (04 with a screw hole in the foot) and slot it over the rear right corner stump. Fix in place using a M6 x 12mm screw (A) and flat washer (E), but do not tighten. Take the right rear leg (05 with a screw hole in the foot) and slot it over the front right corner stump. Fix in place using a M6 x 12mm screw (A) and flat washer (E), but do not tighten. Take the left front leg (02) and slot it over the rear left leg stump. Fix into place using a M6x12mm screw (A) and flat washer (E), but do not tighten. Take the left rear leg (03) and slot it over the front right leg stump. Fix into place using a M6x12mm screw (A) and flat washer (E), but do not tighten.

**STEP 04**

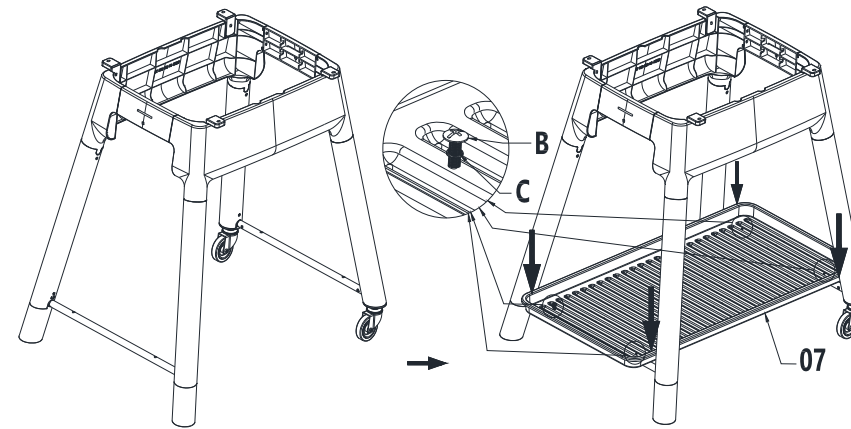
/Take the two bottom shelf supports (06) and fit them onto the cylindrical tabs at the inside of each foot. Rotate each one so that the outmost screw holes are facing inwards and the inner screw holes are facing the stand top (if not, pull out and fit in the opposite way). Fix in place with four M6x12mm screws (A) and spring washers (D). When all are assembled, tighten up all four screws and the screws from step 02.

**STEP 05**

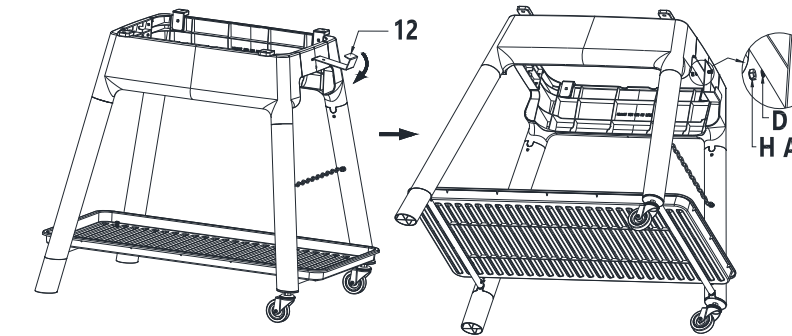
/There are two threaded holes at the inside of the right hand legs. Take the support chain (13) and fix it to the two legs with two M6x12mm screws (A). Tighten fully.

**STEP 06**

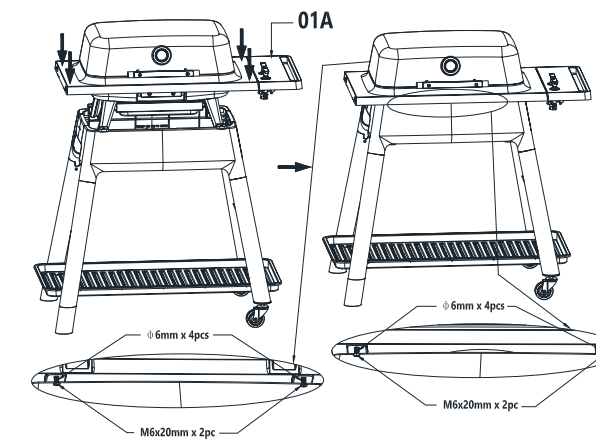
/Turn the stand onto its legs and check that all of the legs are stable. Take the plastic bottom shelf (07) and place it on the two bottom shelf supports. Line the four holes in the bottom shelf up with the threaded holes in the bottom tray supports and fix into position using four M5x12mm screws (B) and four spring washers (C). Tighten fully.

**STEP 07**

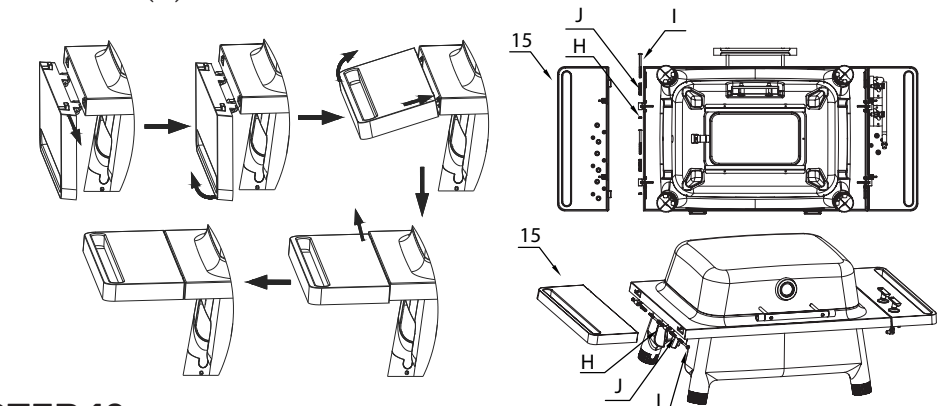
/Push the flat edge of the cylinder hook (12) into the slot of the stand top (above the right hand side legs and castors) up until the dogleg, and then rotate down until the hook is against the stand top side. Fix into place using a M6x12mm screw (A), M6 locking nut (H) and spring washer (D). The stand is now complete.

**STEP 08**

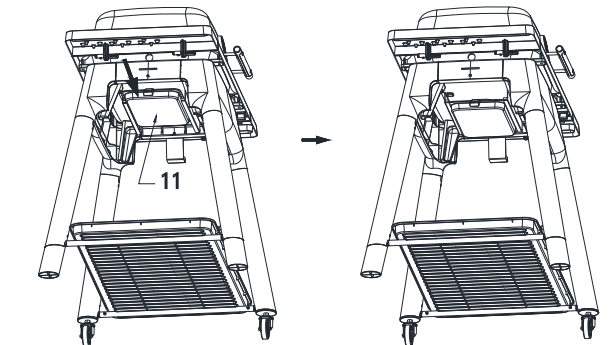
/Position the stand with the castor wheels to the right. Two people should lift the barbeque and hood assembly (01A) by the serveries, and place it within the stand (facing forwards, castors to the right). Fix the barbeque to the stand top with the four M6x20mm screws and M6 spring washers removed at step 1 – two to the front and two to the rear. Tighten fully.

**STEP 09**

/To attach the left hand side servery (15) to the BBQ chassis (01B) support the left hand side servery and align the locating tabs to the keyholes and slide the left hand servery backwards (approximately 1cm). Fit Spring (J) onto M6 x 85mm Screw (I) and secure with M6 Nut (H).

**STEP 10**

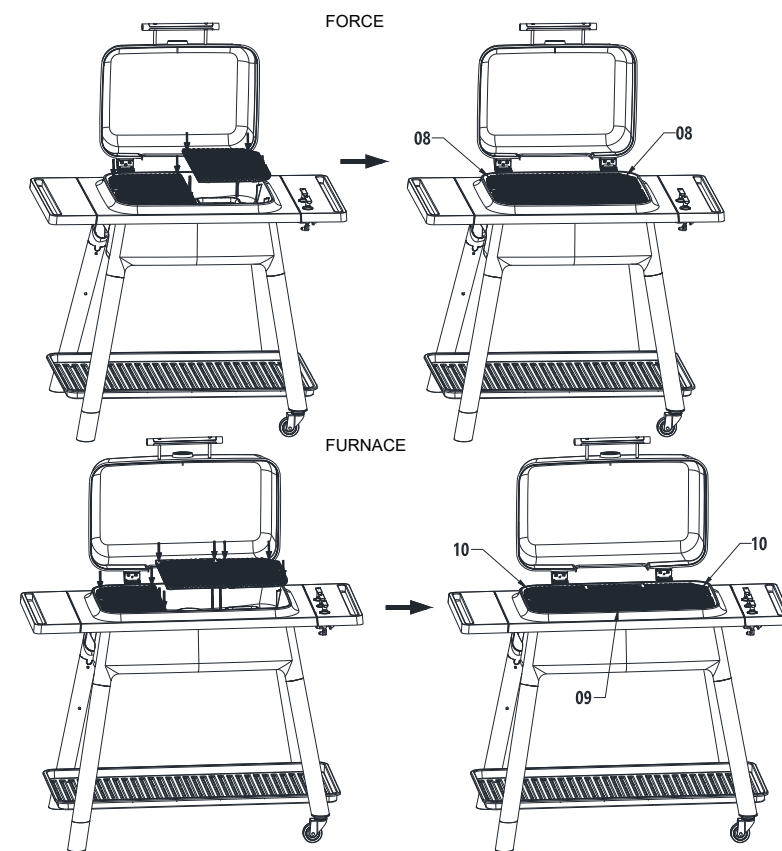
/Fit the fat tray (11) and disposable foil tray into the brackets at the bottom of the barbeque. Take care that the fat tray is allocated correctly.



*Due to ongoing design modifications, support brackets may be permanently fixed to the element

STEP 11

/Place the grills onto the barbeque as shown in the diagrams. Each grill should have a 5-6mm gap around each edge. Each grill will allocate in a groove on a plate support.



STEP 12

/Connect an approved hose and/or regulator to the inlet manifold (if not already connected). Hook the gas cylinder onto the support hook (12) and lean it against the support chain. Connect regulator to the gas cylinder/bottle and leak test (as per the gas connections instructions). Check all hose connections are tight, and that all control knobs are off before turning on the gas supply and leak testing.

MAINTENANCE

It is recommended that, at the commencement of each barbecue season, the following maintenance be conducted.

BURNER

1. Brush the outside of the burners with a stiff brush to remove rust and dirt. Make sure all ports are open.

GAS SUPPLY

1. Inspect the gas supply hose for any deterioration and replace it if necessary.
2. Test the gas circuit for leaks and remedy any found.

BARBEQUE AND HOOD

1. Wipe over the outer areas of the barbecue and hood with a clean cloth.

STAND

1. Check all fasteners for tightness and re tighten where necessary to ensure rigidity of the structure.
2. Wipe over barbecue stand with a clean cloth. Add a little oil or grease to all moving parts.

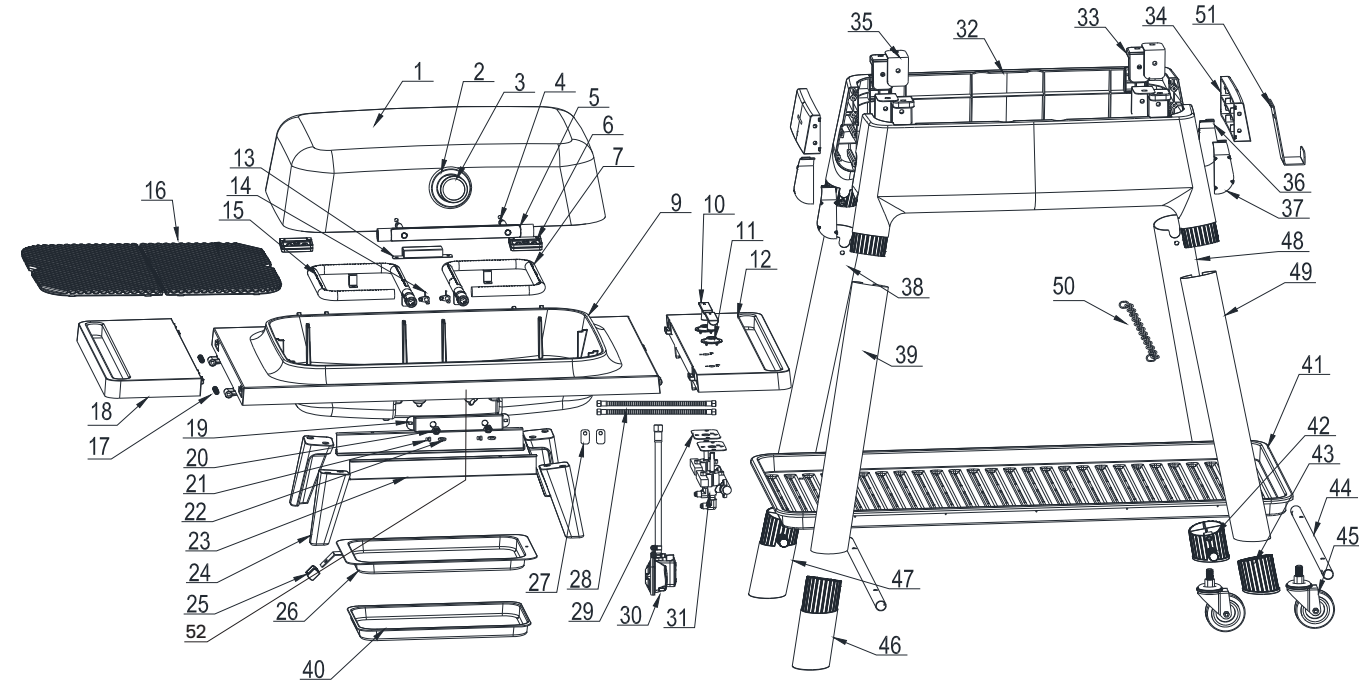
If connected to the barbecue, check the screws holding the barbecue and stand together are all fitted and tight. Wear and tear to this barbecue can be reduced by using a barbecue cover and storing out of the weather when not in use.

PARTS LIST: FORCE™ BARBEQUES

	PART NAME	QTY
1	Hood E2G2 (Orange)	1
	Hood E2G2 (Mint)	1
	Hood E2G2 (Stone)	1
	Hood E2G2 (Graphite)	1
	Hood E2G2 (Black)	1
2	Temperature Gauge Bezel	1
3	Temperature Gauge	1
4	Hood Handle Spacer	2
5	Hood Handle	1
6	Hinge	2
7	Right Hand Burner (E2G2)	1
8	Hardware Kit (not shown)	1
9	Barbeque Chassis (E2G2)	1
10	Control Knob	2
11	Control Knob Bezel	2
12	Right Hand Side Served (E2G2)	1
13	Gas Ignition Crossover Box (E2G2)	1
14	Electrode (E2G2)	2
15	Left Hand Burner (E2G2)	1
16	Open Grill (E2G2)	2
17	Served Spring	2

18	Left Hand Served	1
19	Injector Bracket (E2G2)	1
20	Injector Housing	2
21	Injector (E2G2)	2
22	Injector Housing Nut	2
23	Fat Tray Bracket (E2G2)	2
24	Barbeque Chassis Feet	4
25	Fat Tray Handle Cover	1
26	Fat Tray	1
27	Gas Tube Support	2
28	Gas Tube (E2G2)	2
29	Valve Support	2
30	Hose/Regulator	1
31	Gas Valve & Manifold Assembly (E2G2)	1
32	Stand Top Front/Rear Panel (E2G2)	2
33	Stand Top Spacer Bracket	4
34	Stand Top Side Panel	2
35	Spacer Bracket	4
36	Stand Top RR/FL Cap	2
37	Stand Top RL/FR Cap	2
38	Leg FL	1
39	Leg RL	1
40	Disposable Foil Tray	1
41	Bottom Shelf (E2G2)	1

42	Leg Cap RR	1
43	Leg Cap FR	1
44	Bottom Shelf Support	2
45	Castor	2
46	Foot FL	1
47	Foot RL	1
48	Leg FR	1
49	Leg RR	1
50	Gas Cylinder Support Chain	1
51	Cylinder Hook	1
52	Logo Badge	1

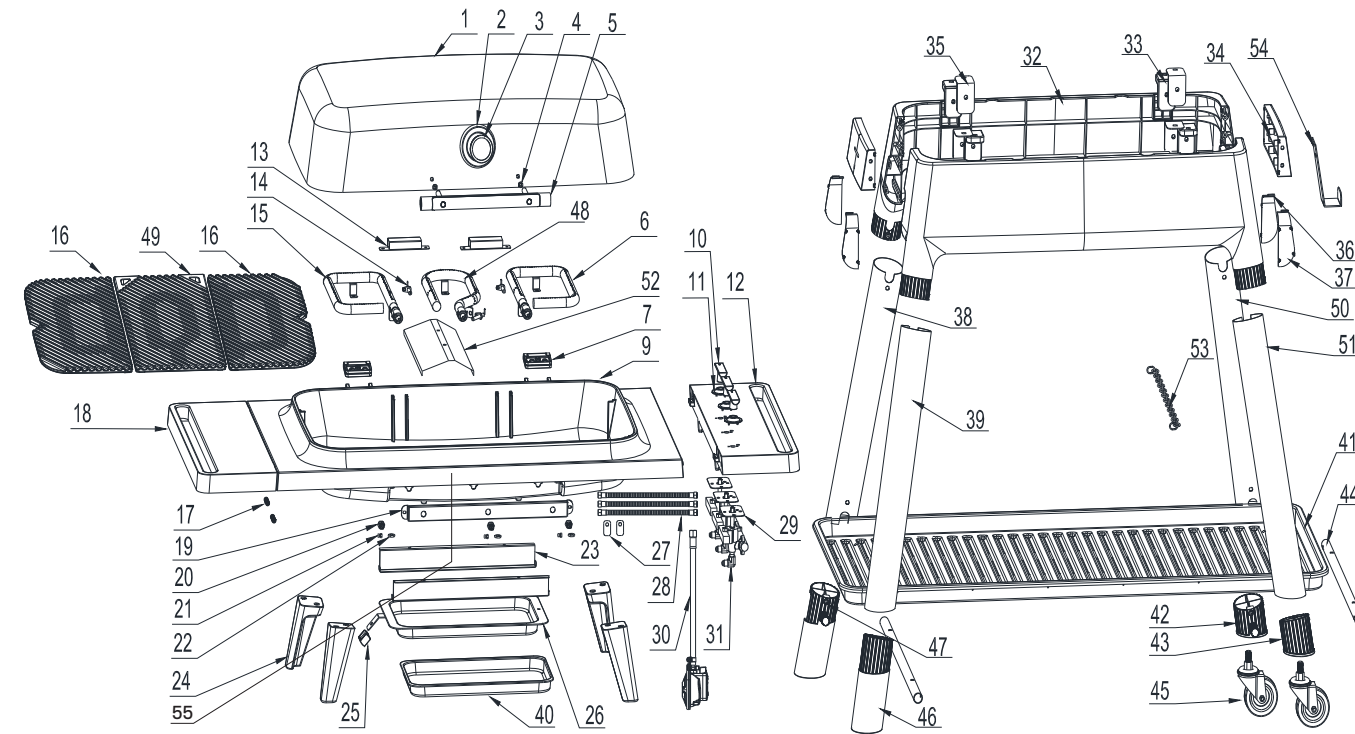


PARTS LIST: FURNACE™ BARBEQUES

	PART NAME	QTY
1	Hood E3G2 (Orange)	1
	Hood E3G2 (Mint)	1
	Hood E3G2 (Stone)	1
	Hood E3G2 (Graphite)	1
	Hood E3G2 (Black)	1
2	Temperature Gauge Bezel	1
3	Temperature Gauge	1
4	Hood Handle Spacer	2
5	Hood Handle	1
6	Right Hand Burner (E3G2)	1
7	Hinge	2
8	Hardware Kit (not shown)	1
9	Barbeque Chassis (E3G2)	1
10	Control Knob	3
11	Control Knob Bezel	3
12	Right Hand Side Served (E3G2)	1
13	Gas Ignition Crossover Box (E3G2)	2
14	Electrode (E3G2)	3
15	Left Hand Burner (E3G2)	1
16	Open Grill (E3G2)	2
17	Served Spring	2

18	Left Hand Served	1
19	Injector Bracket (E3G2)	1
20	Injector Housing	3
21	Injector (E3G2)	3
22	Injector Housing Nut	3
23	Fat Tray Bracket (E3G2)	2
24	Barbeque Chassis Feet	4
25	Fat Tray Handle Cover	1
26	Fat Tray	1
27	Gas Tube Support	2
28	Gas Tube (E3G2)	3
29	Valve Support	2
30	Hose/Regulator	1
31	Gas Valve & Manifold Assembly (E3G2)	1
32	Stand Top Front/Rear Panel (E3G2)	2
33	Stand Top Spacer Bracket	4
34	Stand Top Side Panel	2
35	Spacer Bracket	4
36	Stand Top RR/FL Cap	2
37	Stand Top RL/FR Cap	2
38	Leg FL	1
39	Leg RL	1
40	Disposable Foil Tray	1
41	Bottom Shelf (E3G2)	1

42	Leg Cap RR	1
43	Leg Cap FR	1
44	Bottom Shelf Support	2
45	Castor	2
46	Foot FL	1
47	Foot RL	1
48	Central Burner (E3G2)	1
49	Central Open Grill (E3G2)	1
50	Leg FR	1
51	Leg RR	1
52	Baffle	1
53	Gas Cylinder Support Chain	1
54	Cylinder Hook	1
55	Logo Badge	1



OPTIONAL ACCESSORY: COOKING ACCESSORIES

Please see everdurebyheston.co.uk for a full range of accessories

BRUGS-, SAMLE- OG VEDLIGEHOLDELSERANVISNING

til Everdure by Heston Blumenthal FORCE™ & FURNACE™
gasgrill på stativ

FORCE™

GASGRILL MED

2 BRÆNDERE

FURNACE™

GASGRILL MED

3 BRÆNDERE

Power by design

THE OUTDOOR PERFORMANCE

everdure
by heston blumenthal

everdure
by heston blumenthal

LANG: DK**INDHOLD**

Vigtige sikkerhedsinstruktioner	26-27
Apparatets specifikationer	28
Udendørs installationsvejledning	29
Brugsvejledning	30-31
Procedure for tænding	32
Rengøring & opbevaring.....	32-33
Fejlfinding	34
Samlevejledning til grill og stativ.....	35-39
Vedligeholdelse	39
Liste over dele	40-43
Garanti og service	44

BRUG OG VEDLIGEHOLDELSERANVISNINGER TIL E2G2O, E2G2G, E2G2S, E2G2M, E2G2B, E3G2G, E3G2M, E3G2S, E3G2O og E3G2B GASGRILL TIL MADLAVNING. Everdure by Heston Blumenthal udendørs gasgrill. Behold disse instruktioner, købsbevis samt andre vigtige dokumenter omhandlende dette produkt som reference i fremtiden. Grundet fortsat produktudvikling forbeholder Everdure by Heston Blumenthal sig retten til uden videre at ændre specifikationer eller udseende på produktet uden oplysning herom. Bortskaf indpakningen på forsvarlig vis – genbrug, hvor der findes faciliteter til rådighed.

VIGTIGE SIKKERHEDSINSTRUKTIONER

VIGTIGT: Læs disse sikkerhedsforanstaltninger grundigt, inden grillen tages ud af emballagen og gasforbindelsen etableres.

ADVARSEL: Tilgængelige dele kan være meget varme i brug. Hold børn borte fra grillen.

1. Denne gasgrill er UDELUKKENDE BEREGNET TIL UDENDØRS BRUG. Dette apparat må **IKKE** anvendes indendørs.
2. Læs disse instruktioner inden brug af apparatet for din egen sikkerhed og den bedste anvendelse af produktet.
3. Kontrollér, at alle gasforbindelser slutter helt tæt, inden grillen forsøges tændt (se gasudsvingstest i denne vejledning). Kontroller altid for utætheder, når gasflasken udskiftes eller genforbindes.
4. Hvis gasflasken ikke er monteret på flaskekrogen, så placer den altid på en flad, jævn overflade.
5. Børn og kæledyr, der ikke er under opsyn, bør ikke være i nærheden af en grill under madlavning, optænding eller nedkøling. Sikr dig, at børn og kæledyr skal holdes på afstand af grillen, mens den er i brug. Sikr dig, at små børn ikke leger med apparatet. Dette apparat er ikke beregnet til brug af børn og svækkede personer.
6. Vær forsigtig, når drypbakken og engangsfoliebakken fjernes. Forkert håndtering af varme olier og fedtstoffer kan forårsage alvorlig personskade. Vær forsigtig, når plader og grillriste udskiftes. Pas på varme dele, og at olie og fedtstof ikke falder ned på brænderen. Sørg for, at brænderhullerne ikke tilstoppes.
7. Slå gaskontrolknappen og gasflaskeventilen fra efter brug. Tillad ikke ophobning af uforbrændt gas.
8. Lad aldrig brænderne være tændt på højeste niveau i mere end 5 minutter, medmindre der faktisk laves mad. Når der laves mad med låget nede, så følg altid instruktionerne i grillanvisningerne i denne vejledning.
9. Flyt ikke apparatet, når det er i brug. Grillen bør kun løftes af to personer, som holder i hver sin diskside (med venstre disk slået ned). Sørg for, at gasslangen ikke udsættes for tryk, slå gasforsyningen fra og fjern slangen fra gasflasken (ikke ved grillen) inden flytning. Vær omhyggelig med, at drypbakken og engangsfoliebakken fjernes under

flytning for at minimere fedt-/oliespild. Det anbefales, at der bruges grillhandsker, når der håndteres varme komponenter. Dele, der er forseglede af producenten eller distributøren, må ikke ændres.

10. Denne grill er designet til brug på enten det medfølgende stativ eller på en hævet overflade, fx et varmeresistent bord. Når grillen anvendes på en hævet overflade, skal dene være jævn, stor og stærk nok til at støtte grillen og klare temperaturer på 60 °C over den omgivende temperatur. Når stativet bruges, skal du sikre dig, at grillen er sikret til stativet på korrekt vis (fire skruer på grillens underside).
11. Brændbare materialer skal holdes i god afstand af grillen, når den er i brug.
12. Brug ikke dette apparat til noget andet formål, end hvad det er beregnet til. Enhver ændring af apparatet kan være farlig. Der må ikke i ændres apparatets konstruktion.
13. Slå gasflasken fra i tilfælde af brand. Drypbakken bør rengøres og kontrolleres, inden grillen bruges. Engangsfoliebakker bør udskiftes inden hver ny brug af apparatet. Rengøring med jævne mellemrum reducerer dannelsen af fedt- og madrester, som er brændbare og kan resultere i fedtbrand. **Fedtbrande kan undgås ved rengøring af drypbakke og jævnlig udskiftning af engangsfoliebakker.** Fedt- og aluminiumsbakker må aldrig flyde over. Skade som følge af fedtbrand er ikke dækket af reklamationsretten. Brug ikke sand, kattegrus eller andre fedtabsorberende materialer i drypbakken eller i engangsfoliebakken.
14. Apparatet er designet, så varme ikke vil påvirke stativet. Alle brændbare materialer skal holdes min. 250 mm fra siderne og bagsiden af apparatet og min. 1500 mm over madlavningsoverfladen på grillen.
15. Hvis en brænder laver en hvislende lyd, når den er tændt, brænder det måske indeni den. Slå brænderen fra, lad den køle af, og forsøg at tænde igen. Hold din grill beskyttet mod stærk vind – hvis dette ikke kan undgås, så kontroller altid, at brænderne forbliver tændte, hvis apparatet anvendes under forhold med blæst.
16. Forsøg aldrig selv at reparere gasførende eller gasbrændende dele – dette må kun gøres af autoriserede teknikere.
17. Vi anbefaler, at man med jævne mellemrum vedligeholder grillen for at sikre optimal drift. Dette gøres ved at følge rengørings- og vedligeholdelsesvejledningen i denne brugsanvisning.
18. Når grillen anvendes uden stativ, skal gasflasken placeres lavere end grillen, så langt borte, som slangen tillader uden at denne belastes/strækkes og på et sikkert sted (hvor den ikke udsættes for fedtsprøjt fra madlavningen eller kan væltes ved et uheld).

Når man anvender stativet, skal man montere gasflasken på flaskekrogen på højre side af grillen. Hvis dette ikke kan gøres (pga. designet af eller flaskens størrelse), bør gasflasken placeres bagved apparatet på et sikkert sted, der er beskyttet mod alle former for fedtsprøjt.

19. Dette apparat må ikke monteres eller bruges i køretøjer eller andre transportmidler (båd, trailer, m.v.).
20. Opbevar eller brug ikke dette apparat i saltholdige omgivelser (tæt på havet) eller i områder med ætsende dampe eller væsker (fx fra en swimmingpool), da disse kemikalier kan forårsage, at apparatets materialer nedbrydes (dækkes ikke af garantien). Rengøring med jævne mellemrum og afdækning med et Everdure by Heston Blumenthal-cover kan hjælpe til at reducere dette.
21. Apparatet skal forsynes med en DS godkendt slange og regulator, som ikke er længere end 1,5 m, som møder standarderne specificeret i DS/EN 16 129 (gennemstrømsfastighed 150 kg/t) Bøj/sno ikke slangen under montering og brug. Udskift med en ny slange ved utæthed eller blokering. Det anbefales, at slangen udskiftes hvert 3. år



ANVEND IKKE DETTE APPARAT FØR DU HAR LÆST INSTRUKTIONSVEJLEDNINGEN NØJE

PLACER IKKE GENSTANDE PÅ ELLER MOD DETTE APPARAT

OPBEVAR IKKE KEMIKALIER ELLER BRÆNDBARE MATERIALER ELLER SPRAYDÅSER I NÆRHEDEN AF APPARATET

ANVEND IKKE DETTE APPARAT INDENDØRS

INDELUK IKKE DETTE APPARAT. DET MINIMALE FRIRUM FOR DENNE ENHED ER 1500 MM OVER MADLAVNINGSOVERFLADEN OG 250 MM TIL ALLE SIDER

TÆND IKKE GRILLEN MENS LÅGET ER NEDE

APPARATETS SPECIFIKATIONER

Bemærk: Gasdysens diameter er stemplet på en af de sekskantede flader (fx '165' for Ø1.65 mm).

MODEL NAVN	DESTINATIONSLANDE	EFFEKT	BRÆNDERE	GAS-DYSENS DIAMETER STØRRRELSE	GAS KATEGORI	GAS TYPE
FORCE™	BE, FR, IT, LU, IE, GB, GR, PT, ES , CY, CZ, LT, SK, CH, SI ,LV	2x3.9 kW	2	φ0.95mm	I 3+(28~30/37)	Butan (28~30) mbar/ Propan VED 37 mbar
	LU, NL, DK, FI, SE, CY.CZ, EE, LT, MT, SK, SI.BG, IS, NO, TR, HR, RO, IT, HU, LV	2x3.9 kW	2	φ0.95mm	I 3B/P(30)	Butan, Propan og blandinger deraf ved 30mbar
	AT, DE, CH, LU, SK	2x3.9 kW	2	φ0.83mm	I 3B/P(50)	Butan, Propan og blandinger deraf ved 50mbar
FURNACE™	BE, FR, IT, LU, IE, GB, GR, PT, ES , CY, CZ, LT, SK, CH, SI ,LV	3x3.2 kW	3	φ0.85mm	I 3+(28~30/37)	Butan (28~30) mbar/ Propan VED 37 mbar
	LU, NL, DK, FI, SE, CY.CZ, EE, LT, MT, SK, SI.BG, IS, NO, TR, HR, RO, IT, HU, LV	3x3.2 kW	3	φ0.85mm	I 3B/P(30)	Butan, Propan og blandinger deraf ved 30mbar
	AT, DE, CH, LU, SK	3x3.2 kW	3	φ0.74mm	I 3B/P(50)	Butan, Propan og blandinger deraf ved 50mbar

PINKODE: 2531CS-0109

	FORCE™			FURNACE™		
GRILL	LÆNGDE (mm)	BREDDE (mm)	HØJDE (mm)	LÆNGDE (mm)	BREDDE (mm)	HØJDE (mm)
	1170	515	410	1310	515	410
GRILL MED STATIV	1170	750	1170	1310	750	1170

Luft slippes ind ved undersiden af forbrændingskammeret (to 35mm x 20mm mellemrum mellem kammeret gennem et ovalt hul (75 mm x 135 mm). Udstødningsgasser udledes omkring kanterne af pladerne (6 mm mellemrum) og gennem en 275 mm x 40 mm rille i låget. Når man bruger en åben grill, sker der også lufttilførsel gennem rillerne i grillen.

GASFORBINDELSER

BUTAN- & PROPANGASKRAV

Kontroller gastype og -specifikationer på typeskiltet på undersiden af den højre disk.

TILSLUTNING AF GASFLASKE

- Der skal tilsluttes en godkendt gasflaske til grillen for korrekt brug. Den leverede slange og/eller regulator skal først forbindes til grillen og gasflasken.
- Forbind ikke gasflasken til grillen, før grillen er sikret i det medfølgende stativ eller på en stabil, forhøjet overflade.
- Inden man forbinder gasflasken, skal man være omhyggelig med, at betjeningsknapperne er slukkede (Off). Tilslut regulatoren til gasflasken. Ved "click on"-typen:Tryk regulatoren ned på gasflaskens ventil, indtil regulatoren klikker på plads. Ved regulator med gevind: Skru omløberen fast. Åbn for gassen og tjek at forbindelsen er tæt.
- For at fjerne regulatoren fra gasflasken skal man dreje regulatorhåndtaget til "Off", trykke håndtaget indad og løfte regulatoren bort fra gasflaskeventilen.

BEMÆRK: Der må kun opbevares én gasflaske ad gangen på stativet.

GASUDSIVNINGSTEST

- Sørg for, at alle betjeningsknapper er slået fra (**Off**), og gasflaskeventilen er slået til (**On**).
- Kontroller for utætheder ved at fugte samlingerne med sæbevand med en klud eller børste. Ved eventuelle utætheder vil der forekomme bobler (eller man kan høre en hvislende lyd). Sluk for gassen, hvis der er udsivning! Genstramning af gasforbindelser kan generelt reparere utætte samlinger. Man skal også kontrollere gasslangen og forbindelsen ved gasflasken. Hvis en utæthed ikke kan løses, må grillen ikke anvendes! Udfyld og indsend serviceskema på everdure.service@witt.dk



BRUG IKKE ÅBEN ILD TIL AT KONTROLLERE, OM DER ER GASUDSLIP.

HVIS EN UTÆTHED IKKE KAN UDBEDRES VED AT STRAMME SAMLINGERNE, SKAL EN AUTORISERET TEKNIKER TILKALDES, OG GRILLEN MÅ IKKE ANVENDES.

GASFLASKE

I forbindelse med montering på flaskekrogen, må gasflasken ikke være højere end 500 mm, og diameteren må ikke overstige 320 mm. Hvis flasken er større end dette, skal den placeres på et jævnt og fladt underlag, hvor slangen ikke kommer i kontakt med skarpe kanter eller varme overflader, og hvor slangen ikke strækkes eller udsættes for tryk. Sørg for, at gasflasken og –slangen ikke rører ved grillstativet eller andre varme/ skarpe overflader. Gasflasken skal altid monteres/skiftes på afstand af alle former for antændingskilder.

Udendørs installation

Dette apparat må kun anvendes i fri luft med naturlig ventilation og aldrig i stillestående områder, hvor gasudslip og forbrændingsprodukter hurtigt spredes af vinden og fri konvektion.

Dette apparat må ikke anvendes indendørs. Anvend ikke grillen i fx en garage, på en overdækket veranda, i et skur eller på andre lukkede områder. Grillen må ikke anvendes i transportmidler (f.eks. på både, i campingvogn) og må ikke placeres tæt ved eller under overflader, som kan brænde eller er følsom over for varme. Ventilationsluften og forbrændingen omkring selve grillen må aldrig blokeres af fx snavs.

BRUGSVEJLEDNING

GENERELLE INSTRUKTIONER

For optimal ydeevne, bør produktet anvendes på et relativt afskærmet (men altid udendørs) sted. Forsøg at holde grillen beskyttet mod stærk blæst, da dette kraftigt vil reducere effektiviteten ved madlavning. Hvis dette ikke kan undgås, skal grillen placeres, så dens langside er parallel med vindretningen. Grillen skal stå på et stabilt underlag. Kontroller ofte, at brænderen forbliver tændt, når den bruges under forhold med stærk vind (gennem kighullet på venstre side af kabinettet eller gennem den åbne grillrist). Sørg for, at de minimale afstande fra grillen til alle vægge og brændbare overflader overholdes, og at alle overflader kan modstå varme, hvis stativet ikke anvendes. Når stativet bruges, så sørg for, at grillen sidder rigtigt på stativet, og at stativet er låst i stilling vha. hjullåsene, samt at gaslangen ikke berører varme overflader.

GASTYPE OG FORBRUG

Grillene er designet til at køre udelukkende på propan- og/eller butangas (flaskegas). Gasforbrug, tryk og gasdysens diameter vises på datapladen, som findes under den højre disk.

BETJENINGSHÅNDTAG

Gasbetjeningshåndtagene på grillens højre disk låses både når der er slukket (**Off**) for gastilførslen og når betjeningshåndtaget er sat på højeste niveau (**High**). For at åbne for gassen, trykkes knappen ned og drejes i retning mod uret fra (**Off**). Gasstrømmen øges nu i takt hermed, indtil gasstrømmen når sit højeste niveau (**High**). Fortsætter du med at dreje knappen i denne retning, vil gasstrømmen igen aftage, indtil den når det laveste niveau (simreniveau). For at slukke for gassen (**Off**) drejes knappen i retning med uret fra laveste niveau (**Low**) og trykkes ind, når den når højeste niveau (**High**), hvorefter knappen kan drejes helt om på (**Off**).

MATTE, KERAMISKE GRILLRISTE AF STØBEJERN

FORCE™ med 2 brændere og FURNACE™ med 3 brændere leveres med grillriste. En

everdure

by heston blumenthal

flad grillplade kan købes som ekstratilbehør til FURNACE™ til højre side (dette er den anbefalede placering af hhv. grillrist og -plade, som vil reducere den varme, der strømmer over kontrolknapperne). Til FURNACE™ 3-brænder grill er der også mulighed for at isætte en teppanyaki-plade på midterste plads eller en flad grillplade. Ved grilning med låget nede må alle betjeningsknapperne ikke være indstillet til højeste niveau. Følges denne anvisning ikke, er der fare for overophedning og brændt mad. Bemærk, at grillriste og -plader ikke kan anvendes på den anden model end den købte, og at maks. én grillrist må erstattes af en grillplade ad gangen. Grillristene har en massiv stribe støbejern indbygget, som bruges til at beskytte brænderen mod oledryp e.l. fra maden. Riste og plader er designet til at passe ned i holderne i grillkabinettet. Når de er placeret korrekt, bør der være et mellemrum på 5-6 mm mellem grillristene og kabinettets inderkant. Al overskydende fedt, olie eller anden væske fra maden vil dryppe gennem kabinettet og ned i drypbakken og foliebakken under kabinettet. Hvis brænderåbningerne bliver blokeret, så lad apparatet køle, afbryd gastilførslen og rengør brænderen med en ståltrådsbørste. For en komplet liste over ekstratilbehør, besøg vores hjemmeside.

BEMÆRK: Emaljebelægningen kan beskadiges af metalredskaber og disse må derfor ikke anvendes til madlavning. Reklamationsretten dækker ikke produktskader, som opstår pga. anvendelse af metalredskaber eller slibende eller ætsende rengøringsmidler. Vi anbefaler køkkenredskaber af silikone, da disse både er hygiejniske og kan modstå høje temperaturer.

DRYPBAKKE

Kontroller inden brug, at drypbakken er ren, og at en engangsfoliebakke er sat ned i den. Brug kun de engangsfoliebakker, der er designet specielt til grillen, da bakker af forkert størrelse eller højde kan forårsage problemer med lufttilørsel til apparatet eller spildt fedt/olie. Drypbakken (med foliebakke) skal være monteret, inden grillen tages i brug.

SAND, KATTEGRUS E.L. MÅ UNDER INGEN OMSTÆNDIGHEDER BRUGES I DRYPBAKKEN TIL ABSORBERING AF FEDT.

everdure

by heston blumenthal

STEGNING

Stegning foretages bedst med brug af en hævet stegerist, såsom Everdure by Heston Blumenthal-stegeristen HBROASTR, som tillader luft at cirkulere omkring kødet samt at fedtstof drypper bort fra kødet.

Monter alle grillriste i deres standardposition som vist i samlingsinstruktionerne. Klip et stykke aluminiumsfolie ud, der er lidt større end stegestativet, og placer det midt på grillen oven på alle grillristene. Skær nogle riller gennem folien, så overskydende fedt fra kødet på stegeristen kan løbe ned gennem grillristene. Placer stegestativet centralt over folien. Varm grillen forud for madlavning i 5 minutter med låget nede, og de/den yderste betjeningsknap sat på 'High' (højeste niveau) (på FURNACE™ **skal man lade den miderste betjeningsknap være slukket**).

Når grillen har nået ~180°C, åbnes låget, og maden placeres på stegestativet. Låget lukkes, og betjeningsknapperne drejes ned til lavt niveau (disse kan justeres under stegning for at holde temperaturen inde under låget stabil, eftersom vejrforhold kan påvirke grillens effektivitet). Kig jævnlige til maden, der tilberedes, indtil den er færdig.

JUSTERING AF SERVERINGSDISKE

Den venstre disk kan slås ned for lettere opbevaring (den højre disk med betjeningsknapperne kan ikke slås ned). Når grillen er slukket og afkølet, foldes venstre disk ned, ved at du sætter din venstre fod foran grillens venstre, bagerste ben for at stabilisere grillen. Træk disken mod dig selv og lidt til højre for at låse den op fra grillen. Når disken er helt foldet ud, kan den slås ned. Se anvisningsdiagram i trin 9 i samlevejledningen.

EFTER MADLAVNINGEN

1. Efter madlavning skal du sikre dig, at betjeningsknapperne er slukkede (**Off**).
2. **SLÅ GASFORSYNINGEN FRA VED REGULATOREN.**
3. Efter madlavning, og mens grillen endnu er lun, skal madrester fjernes med en skraber, der ikke er af metal.
4. Overskydende fedt og madrester kan skrubes af indersiden af kabinettet ved at fjerne grillristen/-pladen for at få adgang. **ADVARSEL:** Nogle overflader kan stadigvæk være varme – brug altid grillhandsker.

5. Rengør drypbakken og udskift engangsfoliebakken efter eller inden hver ny brug af grillen.
6. Når apparatet er kølet af, skal man lukke låget i og tørre fedtpletter af stativet med en ren klud.

PROCEDURE FOR TÆNDING



LÆS ALLE INSTRUKTIONER OM TÆNDING, INDEN DU TÆNDER FOR APPARATET

ÅBN LÅGET INDEN TÆNDING

SØRG FOR, AT BETJENINGSKNAPPERNE PÅ GRILLEN ER SAT PÅ OFF (SLUKKET) OG ÅBN FOR GASSEN PÅ REGULATOREN

SØRG FOR, AT RISTE OG EVT. PLADER ER MONTERET KORREKT

TÆNDING AF GRILLEN VHA. BETJENINGSKNAPPERNE

FORCE™ og FURNACE™ har indbygget gnisttænder i brænderne, som aktiveres med betjeningsknapperne, som findes på højre disk. For at tænde for brænderen skal man holde betjeningsknappen til den pågældende brænder nede og langsomt dreje den mod uret. Dette starter gasstrømmen ind i brænderen. Når knappen når tændings symbolet på kontrolpanelet, vil en gnist tænde gassen i brænderen. Betjeningsknappen kan så drejes resten af vejen til højeste niveau ('High') og her slippes eller justeres til den passende temperaturindstilling.

Hvis brænderen ikke tænder, drejes betjeningsknappen tilbage på 'Off', hvorefter du kan prøve igen. Hvis der efter 5 forsøg stadig ikke er tænding, så vent 5 minutter og forsøg igen.

Der er 2 betjeningsknapper på FORCE™ og 3 betjeningsknapper på FURNACE™ (en for hver brænder under en grillrist eller -plade). Den yderste betjeningsknap kontrollerer den højre brænder. Den inderste betjeningsknap kontrollerer den venstre brænder. Den midterste betjeningsknap (kun på FURNACE™) kontrollerer brænderen i midten.

RENGØRING & OPBEVARING

UDVENDIG RENGØRING

Inden man rengør grillen udenpå, skal man sikre sig, at apparatet er kølet af og kan berøres sikkert. Malede overflader og overflader af plastik kan rengøres med en klud vredet op i vand med et mildt opvaskemiddel eller universalrengøring (brug ikke skuremidler eller andre skrappere rengøringsmidler med klor eller syre). **Det anbefales at teste rengøringsmidlet på en del af apparatet først, som ikke er synlig.** Brug **ALDRIG** malingsfortynder eller lignende opløsningsmidler til rengøring, og hæld aldrig koldt vand på varme overflader. Tør overfladen efter rengøring.

INDVENDIG RENGØRING

Inden man rengør grillens indvendige dele, skal apparatet være kølet af og sikkert at berøre. Indersiden af låget kan gøres rent med en blød svamp opvredet i vand med et mildt opvaskemiddel i. Non-stick-overflader på riste og grillplader skal rengøres forsigtigt, så overfladen ikke ridses. Rengør helst mens overfladen endnu er lun. Ved genstridigt snavs kan man anvende en smule natron opløst i vand eller en blød, våd svamp. Anvend ikke ætsende eller skurende rengøringsmidler.

ADVARSEL! Pladernes overflader kan være meget varme. Anvend altid grillhandsker.

OPBEVARING

Når apparatet ikke er i brug, skal gasventilen på grillen og på gasflasken være slået FRA. Luk altid gasflaskens ventil, inden regulatoren frakobles. Grillen, stativet og gasflasken skal opbevares samlet udendørs på et sted med god ventilering. Det er dog tilladt at opbevare grillen (men ikke gasflasken!) indendørs. Sørg for, at grillen er gjort ren og er helt afkølet, inden den stilles væk.



OPBEVAR GASFLASKEN UDENDØRS PÅ ET GODT VENTILERET STED UDENFOR BØRNS RÆKKEVIDDE

Når forbindelsen til gasflaskken er afbrudt, skal gasventilen dækkes med hættten/dækslet. Ved længere tids opbevaring anbefales det, at den primære brænderindgang dækkes mod indtrængen af insekter eller skadedyr. Edderkopper og små insekter kan spinde net eller reder i brænderrørene, som kan blokere for både ventilationen og gastilførslen. Dette kan føre til brand i og omkring brænderrørene. Denne type brand kaldes "flash-back" og kan forårsage alvorlig skade på produktet og gøre det farligt at anvende. For at forhindre dette skal man med jævne mellemrum inspicere og rengøre brænderne og indgangene både for snavs og insekter. Brug et Everdure Heston Blumenthal FORCE™ eller FURNACE™ cover for at reducere risikoen for dette.

FEJLFINDING

Brænder vil ikke tænde, når man prøver at tænde med betjeningsknappen:

Gasflaskens ventil er ikke slået til	Slå ventilen til
Gasflasken er tom	Udskift med fuld gasflaske
Tænderen laver ikke en gnist	Fjern grillrist/-plade og kontroller manuelt, om gnisttænderen under brænderen laver en gnist, når du aktiverer med betjeningsknappen. Kontroller, at ledningerne til gnisttænderen er tilsluttet gashanen. Kontroller også, at gnisttænderen sidder lige. Hvis der fortsat ikke kan laves en gnist, kontakt venligst service.
Dysen er blokeret	Rengør dysen med en tandbørste. Udbor den aldrig og brug ikke ståltråd til at rense med. Fjern ikke dysen. Kontakt service, hvis den ikke kan renses med tandbørste

Flammen er ustabil:

Brænderen er blokeret	Sluk for gassen. Fjern grillriste og –plader og tjek, hvad der blokerer brænderen. Rengør derefter i nødvendigt omfang.
Flammen brænder indeni brænderen (hvislende lyd)	Slå brænder fra, tillad afkøling, og tænd igen i henhold til anvisningerne.
Fejl ved regulatoren	Udfyld og indsend serviceskema på everdure.service@witt.dk
Dyse er delvist blokeret	Rengør dysen med en tandbørste. Udbor den aldrig og brug ikke ståltråd til at rense med. Fjern ikke dysen. Kontakt service, hvis den ikke kan renses med tandbørste, udfyld og indsend serviceskema på everdure.service@witt.dk .

Gasudsvivning ved samlinger:

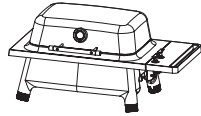
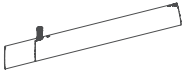

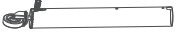
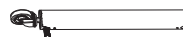

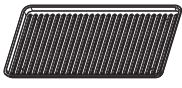

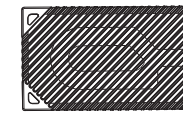


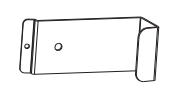


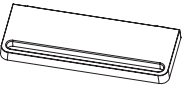
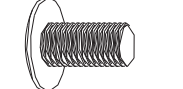
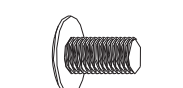



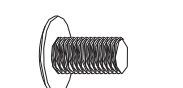

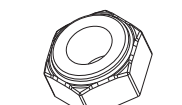


Samlingerne er løse	Stram løse samlinger (ikke for stramt) og foretag gasudsvivningstest i henhold til anvisningerne ovenfor (s. 27).
Slangen er slidt	Udfyld og indsend serviceskema på everdure.service@witt.dk , slangen skal udskiftes.
Fejl på gasventilen	Udfyld og indsend serviceskema på everdure.service@witt.dk
Fejl ved gevind	Udfyld og indsend serviceskema på everdure.service@witt.dk

SAMLEVEJLEDNING TIL GRILL OG STATIV

Grillen og låget leveres samlet med gasslangen monteret til manifolden. For at samle dem skal stativet først bygges (bemærk: af hensyn til transporten er grillen fastgjort til stativoverdelen og skal fjernes, inden stativet samles). Grillen placeres på stativet, når det er blevet samlet (grillen kan dog også bruges på et hævet, varmeresistent bord/anden overflade). Der kræves kun en medium stjerneskruestrækker for at samle stativet.

Åbn kassen i toppen og tag delene ud. Fjern al indpakning (kontroller, om der ligger dele indeni grillkabinettet) og placer delene på en ren overflade. Kontroller for enhver form for skade eller manglende dele (ved manglende eller beskadigede dele, udfyld og indsend serviceskema på everdure.service@witt.dk).

INKLUDEREDE DELE TIL FORCE™ OG FURNACE™

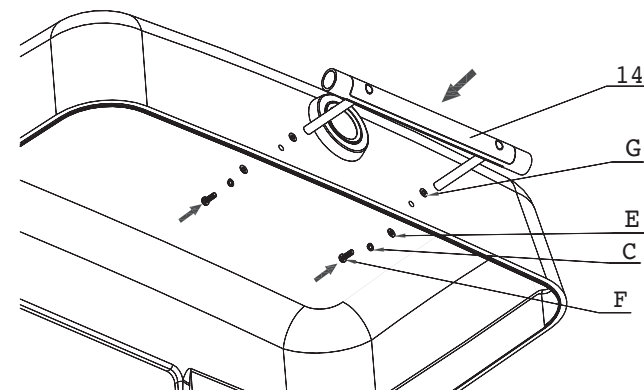
01/ 1 x låg, grillkabinettet og 01B topsamling til stativ	02 / 1 x forreste, venstre ben	03/ 1 x bagerste, venstre ben	04/ 1 x forreste, højre ben m. hjul	05/ 1 x bagerste, højre ben m. hjul	06/ 2 x bundhyldestøtte x 1Pc	07/ 1 x bundhylde	08/ 2 x støbejernsgrillrist (Kun FORCE)
							
09/ 1 x støbejernsgrillrist (midte) (Kun FURNACE)	10/ 2 x støbejernsgrillrist (Kun FURNACE)	11/ 1 x drypbakke	12/ 1 x gasflaskekrog	13/ 1 x støttækæde til gasflaske x 1Pc	14/ 1 X håndtag til låg	15/ Left Hand Servery x 1Pc	A/ 15 x skrue M6x12
							
B/ 4 x skrue M5x12	C/ 6 x låseskive Ø5	D/ 5 x låseskive Ø6	E/ 10 x flad spændeskive Ø6	F/ 2 x skrue M5 x 30	G/ 2 x Fiberglasskive Ø5	H/ 1 x møtrik M6	I / Bolt M6 x 85 x 2Pcs
							
J / Hinge Spring x 2Pcs							
							

EMBALLAGE

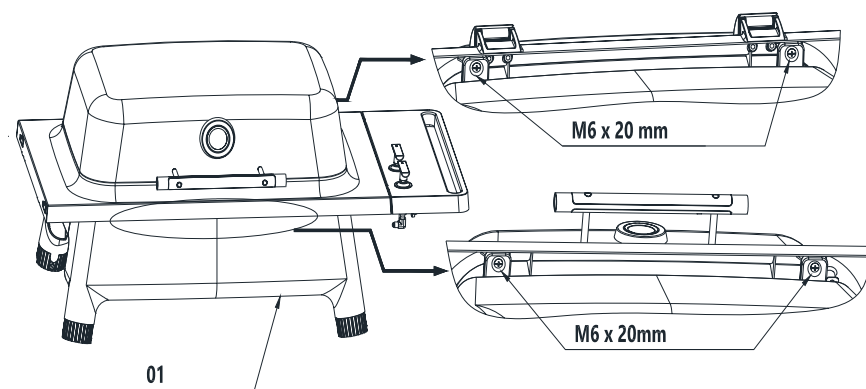
Fjern al indpakning, også emballagedele fra under låget og i grillkabinettet. Fjern grillen bort fra emballagen, inden samling og brug. Bortskaf al emballage i henhold til lokale anvisninger. Hold emballagen udenfor børns rækkevidde.

TRIN 01

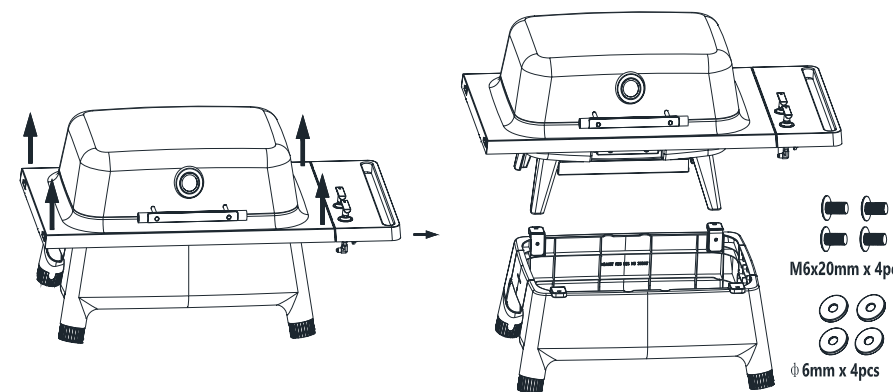
/Åbn låget og skru håndtaget (14) på vha. 2x M5x30mm-skruer (F), 2x låseskiver Ø5 (C) 2x Ø6mm fladskiver (E) og 2x fiberglasskiver Ø5 (G). Stram på plads.

**TRIN 02**

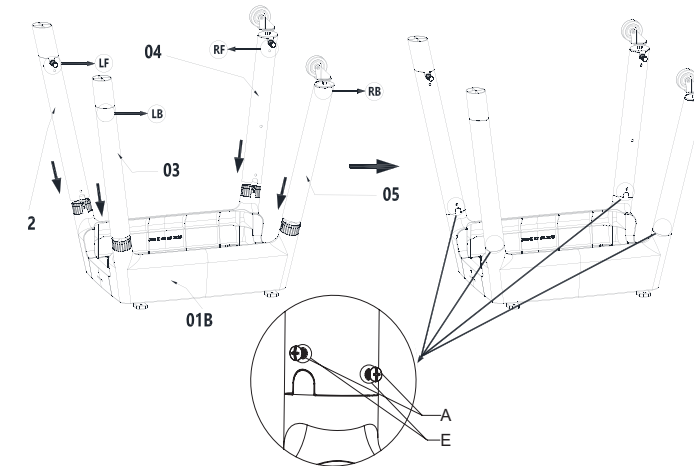
/Grillen og låget er fastgjort til stativoverdelen med 4x M6x20mm-skruer og 4x Ø6mm spændeskiver (to foran og to bagerst). Stativoverdelen skal fjernes, inden stativet samles.



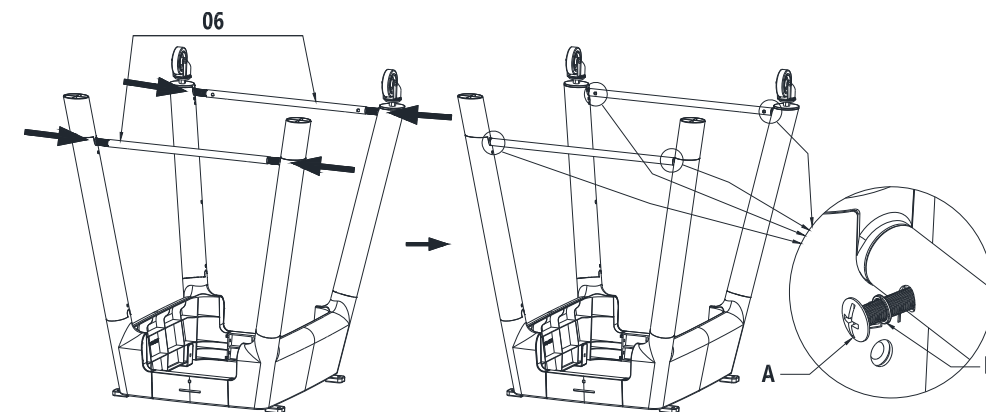
For at adskille grill/låg fra stativet sættes det let på skrå, så bagsiden er løftet, hvorefter begge M6x20mm-skruer fjernes. Gør så det samme med de to skrue foran. Hold grillen stabil under processen, så den ikke vælter. Gem alle skrue og spændeskiver til senere brug. Aftagelige klistermærker indikerer, hvor skrueerne senere skal fastgøres. Løft nu grillen med låget af stativoverdelen, og stil den på jorden.

**TRIN 03**

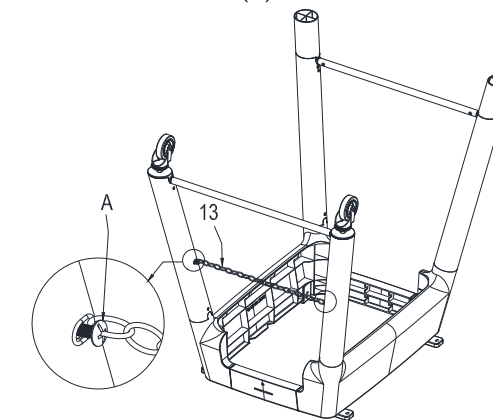
/Tag stativoverdelen (01B), og placer den på en ren overflade med benene opad (bemærk: stativoverdelen har ingen i forvejen defineret bag- og forside, dette afgøres af benplaceringen). Tag det forreste, højre ben (04 med et skruehul i foden) og placer det i det højre, forreste hjørne. Skru benet på med 1x M6x12mm-skrue (A) og 1x spændeskive (E), men stram den endnu ikke helt. Tag nu det bagerste, højre ben (05 med et skruehul i foden), og placer det i det højre, bagerste hjørne. Skru benet på med 1x M6x12mm-skrue (A) og 1x spændeskive (E), men stram den endnu ikke helt. Tag venstre, forreste ben (02) og placer det i venstre, forreste hjørne. Skru benet på med 1x M6x12mm-skrue (A) og 1x spændeskive (E), men stram den endnu ikke helt. Tag til sidst venstre, bagerste ben (03) og placer det i venstre, bagerste hjørne. Skru benet på med 1x M6x12mm-skrue (A) og 1x spændeskive (E), men stram den endnu ikke helt.

**TRIN 04**

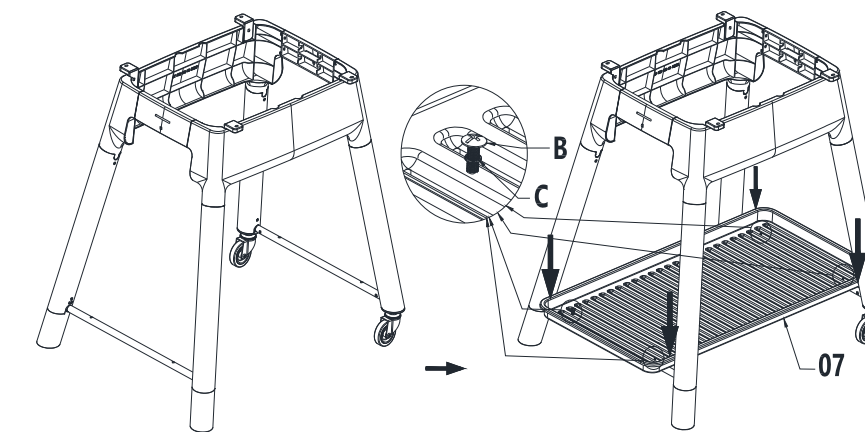
/Tag de to bundhyldestøtter (06) og få dem til at passe ind i de cylindriske huller på hver fod. Drej hver støtte således, at de yderste skruehuller vender indad, og de inderste skruehuller vender op mod stativoverdelen (gør de ikke det, trækkes de af og vendes). Skru støtterne fast med 4x M6x12mm-skruer (A) og spændeskiver (D). Når begge støtter er fastgjort, strammes alle skrue inkl. dem i benmonteringen i trin 03.

**TRIN 05**

/Der er to gevindhuller på indersiden af de højre ben. Tag støttekæden (13) og fæstn den til de to ben med 2x M6x12mm-skruer (A). Stram helt til.

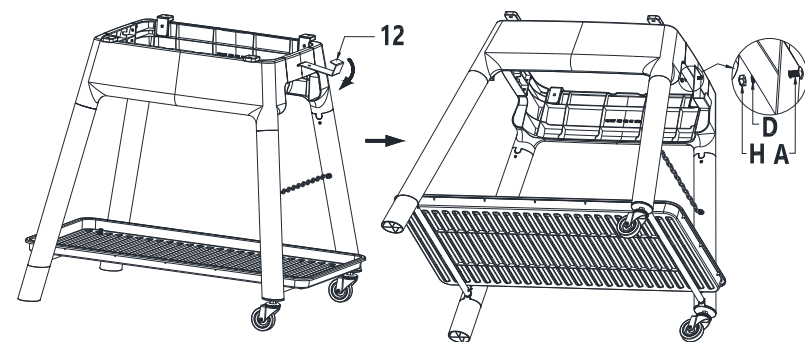
**TRIN 06**

/Vend nu stativet om, så det står på benene. Kontroller at benene er stabile. Tag plastikbundhylden (07) og placer den på de to bundhyldestøtter. Juster bundhylden, så de fire huller i bundhylden er ud for gevindhullerne i bundhyldestøtterne, og skru hylden på plads med 4x M5x12mm-skruer (B) og 4x låseskiver (C). Stram helt til.



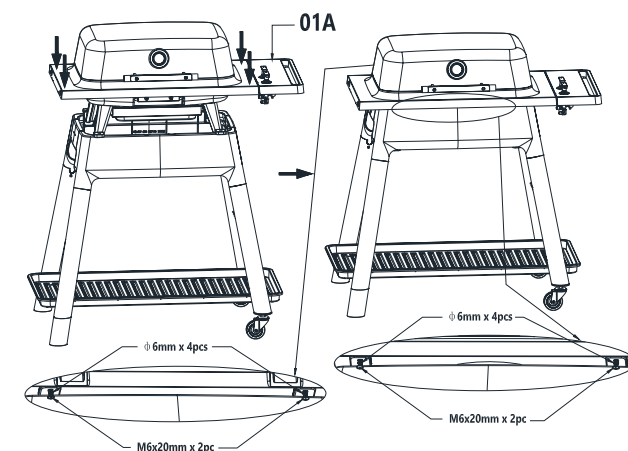
TRIN 07

/Skub gasflaskekrogens flade ende (12) ind i rillen på stativoverdelen (over højre ben og hjul), indtil kun den krogede del stikker frem. Roter så krogen nedad, indtil den ligger fladt mod stativets side. Skru fast med 1x M6x12mm-skruer (A), 1x M6 møtrik (H) og 1x låseskive (D). Stativet er nu færdigsamlet.



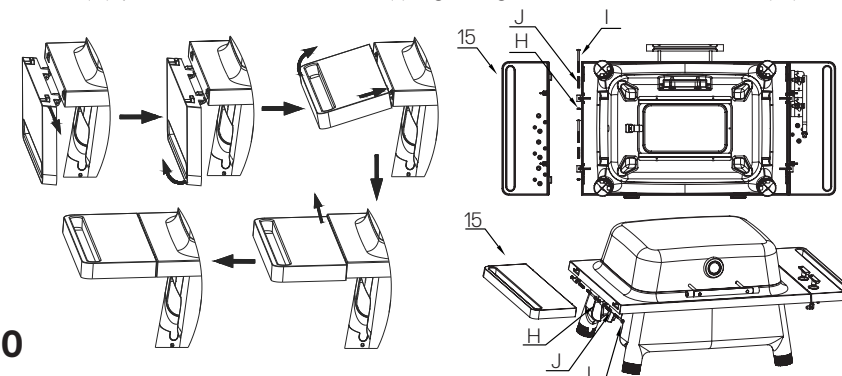
TRIN 08

/Placer stativet foran dig med hjulsiden til højre. To personer skal nu løfte grillen med låg (01A) i hver side (hvor sidebordene sidder) og placere den i stativet (vendende fremad med hjulene til højre for dig selv). Fæstn nu grillen til overdelen af stativet med de 4x M6x20mm-skruer og 4x M6 låseskiver, som du fjernede ved trin 1. 2 af hver på forsiden og 2 af hver på bagsiden. Stram helt til.



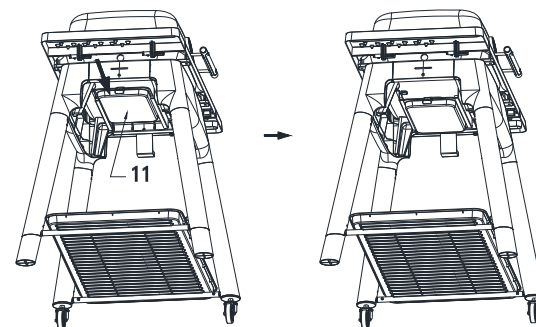
TRIN 09

/For at fastgøre det venstre sidebord (15) til grillen (01B); understøt det venstre sidebord og juster placeringstapperne til hullerne, og træk det venstre sidebord baglæns (ca. 1 cm). Monter fjederen (J) på M6 x 85 mm skruen (I) og fastgør den med M6 møtrik (H).



TRIN 10

/Sæt drypbakken (11) med engangsfoliebakken ind i holderen under grillen. Vær omhyggelig med, at drypbakken sættes korrekt på plads.



*Grundet kontinuerlige designopdateringer kan supportbeslaget være permanent fastgjort til elementet.

TRIN 11

/Placer grillristene på grillen som vist på illustrationerne. Hver grillrist bør have 5-6 mm afstand til alle kanter. Hver rist passer i en rille i en af holderne til grillriste.

VEDLIGEHOLDELSE

Det anbefales at følge alle nedenstående vedligeholdelsestrin, inden hver ny grillsæson starter.

BRÆNDER

1. Børst ydersiden af brænderne med en børste med stive hår for at fjerne rust og snavs. Sikr dig, at alle brænderindgange er åbne.

GASFORSYNING

2. Inspicer gasforsyningsslangen for enhver form for slid/skader og udskift om nødvendigt.
3. Test gaskredsløbet for udsivning. Efterspænd alle samlinger. Udfyld og indsend serviceskema på everdure.service@witt.dk Grillen må ikke anvendes hvis gaskredsløbet ikke er tæt.

GRILL OG LÅG

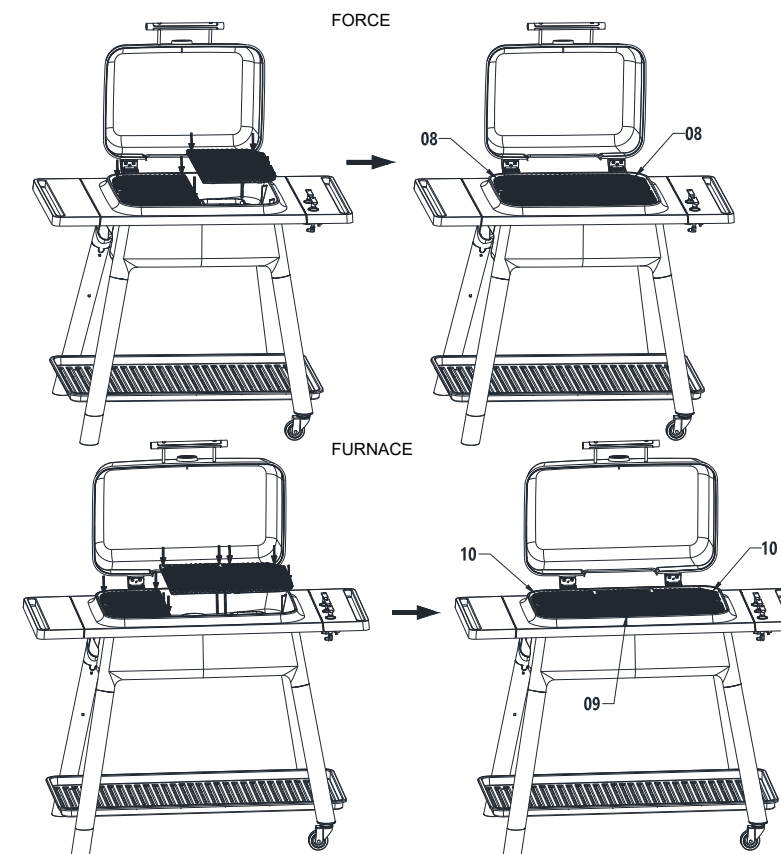
1. Tør grill og låg af med en ren klud. Låget kan få glans igen ved brug af polermiddel til biler.

STATIV

4. Kontroller, at alle samlinger fortsat er strammet til. Efterspænd om nødvendigt skruer og møtrikker for at sikre stabilitet.
5. Tør grillens stativ af med en tør klud. Smør alle bevægelige dele og skruer med lidt olie.

Hvis grillen er monteret på stativet, skal alle skruer, der holder grillen på plads, efterses og evt. strammes til. Slitage på grillen kan begrænses ved at anvende et grillcover, som beskytter den mod vejret, når den ikke er i brug.

VIGTIGT: Beskyt de rustfrie overflader med en syrefri olie flere gange om året for at minimere angreb af flyverust. Bemærk, at rustangreb og anløbninger på grillens overflade ikke dækkes af reklamationsretten.



TRIN 12

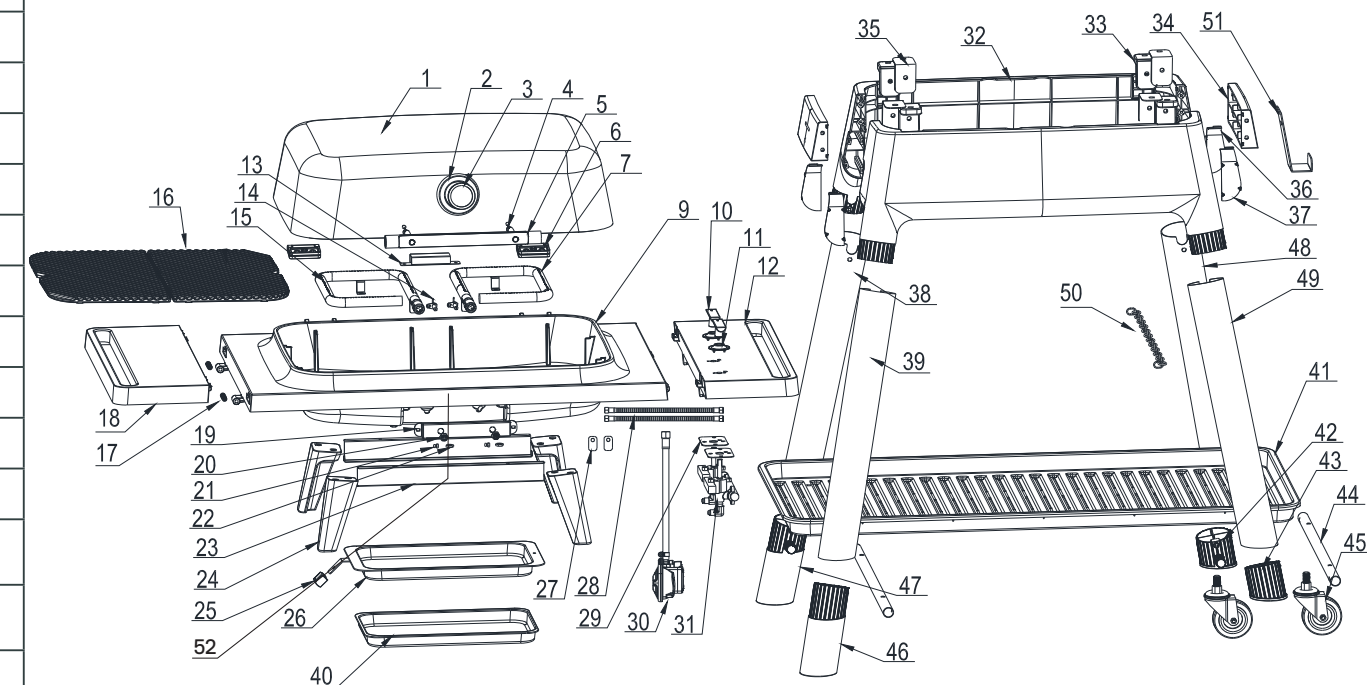
/Forbind en godkendt slange og/eller regulator til indsugningsmanifolden (hvis ikke allerede forbundet). Hæng gasflasken på støttekrogen (12) og lad den læne mod støttekæden. Forbind regulatoren til gasflasken, og kontroller for utætheder (følg anvisningerne for gasudsvingstest i denne brugsanvisning) inden brug. Der skal være testet for udsivning, og alle betjeningsknapper skal være slået fra, inden der åbnes for gassen.

LISTE OVER DELE: FORCE™

	NAVN PÅ DEL	MÆNGDE
1	Låg E2G2 (Mint)	1
	Låg E2G2 (Stone)	1
	Låg E2G2 (Graphite)	1
	Låg E2G2 (Black)	1
	Låg E2G2 (Orange)	1
2	Temperaturmålerindfatning	1
3	Temperaturmåler	1
4	Afstandsstykke til håndtag	2
5	Håndtag til låg	1
6	Hængsel	2
7	Højre brænder (E2G2)	1
8	Hardwaresæt (ikke vist)	1
9	Grillkabinet (E2G2)	1
10	Betjeningshåndtag	2
11	Indfatning til betjeningshåndtag	2
12	Højre disk (E2G2)	1
13	Tændboks (E2G2)	1
14	Elektrode (E2G2)	2
15	Venstre brænder (E2G2)	1
16	Grilriste (E2G2)	2
17	Diskfjeder	2

18	Venstre disk	1
19	Gasdyseholder (E2G2)	1
20	Gasdyseafskærmning	2
21	Gasdyse (E2G2)	2
22	Møtrik til gasdyseafskærmning	2
23	Drypbakkeholder (E2G2)	2
24	Fødder til grillkabinet	4
25	Håndtag til drypbakken	1
26	Drypbakke	1
27	Gasslangeholder	2
28	Gasslange (E2G2)	2
29	Ventilholder	2
30	ULPG Slange- og regulatorsamling	1
31	Gasventil & manifoldsamling (E2G2)	1
32	Stativoverdel for-/bagpanel (E2G2)	2
33	Afstandsstykke til stativoverdel	4
34	Stativoverdel - sidepanel	2
35	Afstandsstykke	4
36	Dæksel til stativoverdel, bagerste højre/ forreste venstre	2
37	Dæksel til stativoverdel, bagerste ven- stre/forreste højre	2
38	Ben, forreste venstre	1
39	Ben, bagerste venstre	1

40	Engangsfoliebakke	1
41	Bundhylde (E2G2)	1
42	Benhætte, bagerste højre	1
43	Benhætte, forreste højre	1
44	Bundhyldestøtte	2
45	Hjul	2
46	Fod, forreste venstre	1
47	Fod, bagerste venstre	1
48	Ben, forreste højre	1
49	Ben, bagerste højre	1
50	Støttekæde til gasflaske	1
51	Gasflaskekrog	1
52	Logo	1

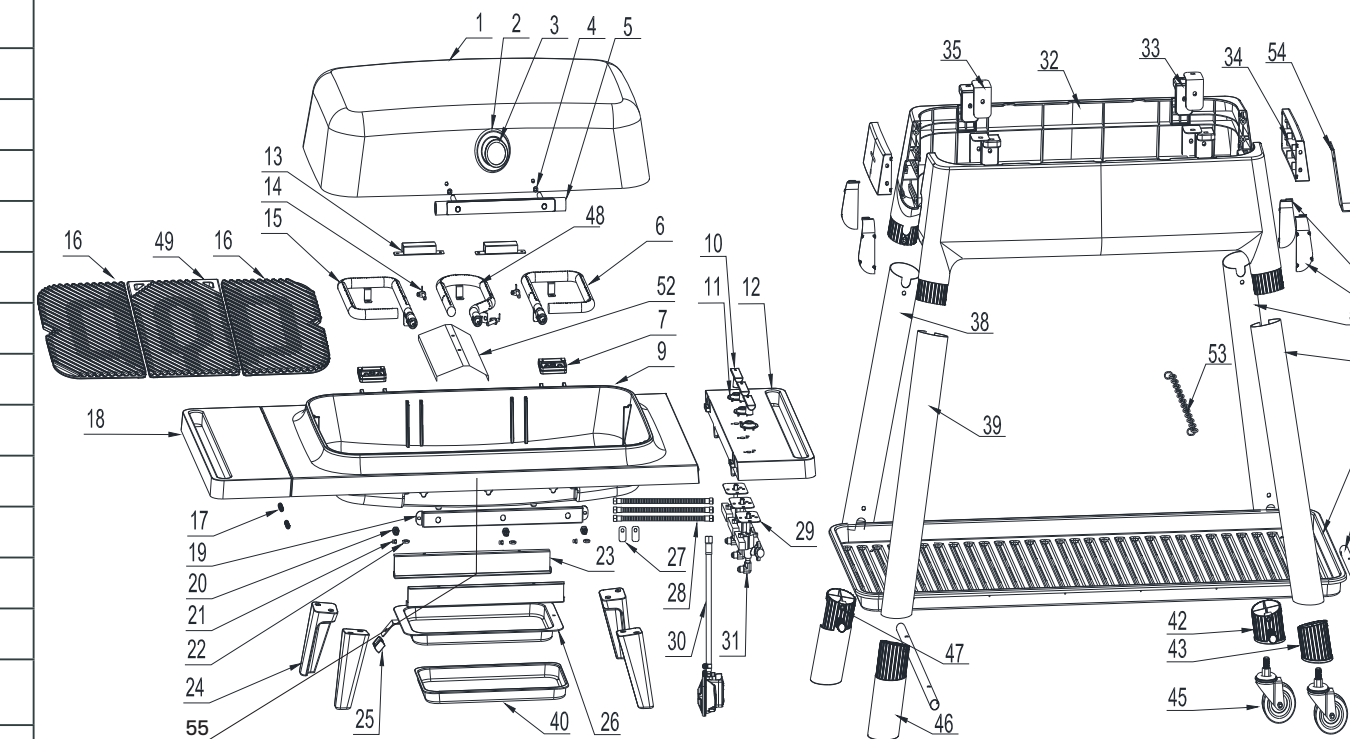


LISTE OVER DELE: FURNACE™

	NAVN PÅ DEL	MÆNGDE
1	Låg E3G2 (Orange)	1
	Låg E3G2 (Mint)	1
	Låg E3G2 (Stone)	1
	Låg E3G2 (Graphite)	1
	Låg E3G2 (Black)	1
2	Temperaturmålerindfatning	1
3	Temperaturmåler	1
4	Afstandsstykke til håndtag	2
5	Håndtag til låg	1
6	Højre brænder (E3G2)	1
7	Hængsel	2
8	Hardware sæt (ikke vist)	1
9	Grillkabinet (E3G2)	1
10	Betjeningsknap	3
11	Indfatning til betjeningsknap	3
12	Højre disk (E3G2)	1
13	Tændboks (E3G2)	2
14	Elektrode (E3G2)	3
15	Venstre brænder (E3G2)	1
16	Grillrist (E3G2)	2
17	Diskfjeder	2

18	Venstre disk	1
19	Gasdyseholder (E3G2)	1
20	Gasdyseafskærmning	3
21	Gasdyse (E3G2)	3
22	Møtrik til gasdyseafskærmning	3
23	Drypbakkeholder (E3G2)	2
24	Fødder til grillkabinet	4
25	Håndtag til drypbakken	1
26	Drypbakke	1
27	Gaslangeholder	2
28	Gaslange (E3G2)	3
29	Ventilholder	2
30	ULPG Slange- og regulatorsamling	1
31	Gasventil & manifold-samling (E3G2)	1
32	Stativoverdel for-/bagpanel (E3G2)	2
33	Afstandsstykke til stativoverdel	4
34	Stativoverdel - sidepanel	2
35	Afstandsstykke	4
36	Dæksel til stativoverdel, bagerste højre/forreste venstre	2
37	Dæksel til stativoverdel, bagerste venstre/forreste højre	2
38	Ben, forreste venstre	1
39	Ben, bagerste venstre	1

40	Engangsfoliebakke	1
41	Bundhylde (E3G2)	1
42	Benhætte, bagerste højre	1
43	Benhætte, forreste højre	1
44	Bundhyldestøtte	2
45	Hjul	2
46	Fod, forreste venstre	1
47	Fod, bagerste venstre	1
48	Midterste brænder (E3G2)	1
49	Midterste grillrist (E3G2)	1
50	Ben, forreste højre	1
51	Ben, bagerste højre	1
52	Strømningsleder	1
53	Støttekæde til gasflaske	1
54	Gasflaskekrog	1
55	Logo	1



VALGFRI TILBEHØR: TILBEHØR TIL MADLAVNING

Besøg www.everdurebyheston.dk for at se vores store udvalg i ekstratilbehør

REKLAMATION OG SERVICE

VIGTIGT

Reklamationsretten omfatter materialer og arbejdsløn. Ved henvendelse om service skaldu oplyse produktets navn, serienummer og udfylde serviceskemaet på <https://service.witt.dk/service/da/everdure/Service.aspx>. Disse oplysninger findes på typeskiltet. Skriv evt. oplysningerne ned her i brugsanvisningen, så du har dem ved hånden. Det gør det lettere for servicemontøren at finde de rigtige reservedele.

I løbet af reklamationsperioden vil din grill blive repareret gratis af Everdure by Heston Blumenthal eller dets autoriserede servicecenter, forudsat din grill leveres til og hentes fra servicecenteret, jfr. vilkår og betingelser nedenfor.

REKLAMATIONSRET

2 år: Aluminiumsdele, låg, grillkabinet, sider, ben

2 år: Plastikdele

2 år: Maling

REKLAMATIONSRETEN DÆKKER IKKE:

1. Fejl og skader, som ikke skyldes fabrikations- og materialefejl.
2. Almindelig, rimelig slitage (fx varmemisfarvning af riste/plader).
3. Produktskade forårsaget af skadedyr.
4. Hvis der er brugt uoriginale reservedele.
5. Hvis anvisningerne i brugsanvisningen ikke er fulgt.
6. Hvis ikke installationen er sket som anvist.
7. Hvis ikke-faglærte har installeret eller repareret produktet.

TRANSPORTSKADER

En transportskade, der konstateres ved forhandlerens levering hos kunden, er udelukkende en sag mellem kunden og forhandleren. I tilfælde, hvor kunden selv har stået for transporten af produktet, påtager leverandøren sig ingen forpligtelse i forbindelse med evt. transportskade. Evt. transportskader skal anmeldes omgående og senest 24 timer efter, at varen er leveret. I modsat fald vil kundens krav blive afvist.

UBEGRUNDEDE SERVICEBESØG

Hvis man tilkalder en servicemontør, og det viser sig, at man selv kunne have rettet fejlen, ved fx at følge anvisningerne her i brugsvejledningen eller ved at skifte en sikring i sikringsskabet, påhviler det kunden selv at betale for servicebesøget.

ERHVERVSKØB

Erhvervskøb er ethvert køb af apparater, der ikke skal bruges i en privat husholdning, men anvendes til erhverv eller erhvervslignende formål (restaurant, café, kantine etc.) eller bruges til udlejning eller anden anvendelse, der omfatter flere brugere.

I forbindelse med erhvervskøb ydes ingen garanti, da dette produkt udelukkende er beregnet til almindelig husholdning.

SERVICE

For rekvirering af service og reservedele i Danmark, ring venligst på nedenstående nummer, og du vil blive henvist til nærmeste serviceinstans.

Det er altid kundens ansvar, at produktet er tilgængeligt for teknikeren ved brug af reklamationsretten til servicebesøg. Garatien dækker produktet i den stand, kunden fik det udleveret. Teknikerens arbejde er omfattet af arbejdsmiljølovgivningens regler (fx om tunge løft), hvilket spiller ind på, hvad teknikeren må og ikke må under servicebesøg.

Alle forespørgsler om service og samling:

E-MAIL: everdure.service@witt.dk

Se mere på: www.everdurebyheston.dk

KÄYTTÖOHJEET

Everdure by Heston Blumenthal FORCE™ & FURNACE™
jalustalliset kaasugrillit

FORCE™

2 POLTTIMEN

KAASUGRILLI

FURNACE™

3 POLTTIMEN

KAASUGRILLI

Power by design

THE OUTDOOR PERFORMANCE

everdure
by heston blumenthal

everdure
by heston blumenthal

LANG: FI

SISÄLLYSLUETTELO

Tärkeät turvallisuusohjeet	48-49
Laitteen tekniset tiedot	50
Asennus ulos.....	51
Käyttöohjeet	52-53
Sytyttäminen	54
Puhdistus ja säilytys.....	54-55
Vianmääritys	56
Grillin kokoaminen	57-61
Huoltaminen.....	61
Osaluettelot	62-65
Takuu ja huolto.....	66

KÄYTTÖ- JA HOITO-OHJEET E2G2O, E2G2G, E2G2S, E2G2M, E2G2B, E3G2G, E3G2M, E3G2S, E3G2O ja E3G2B KAASUGRILLEILLE RUOANVALMISTUKSEEN. Everdure by Heston Blumenthal ulkotilojen kaasugrillit. Säilytä nämä ohjeet, ostosite sekä muut tärkeät, tätä tuotetta koskevat asiakirjat vastaisuuden varalle. Jatkuvan tuotekehityksen takia Everdure by Heston Blumenthal varaa oikeuden harkintansa mukaan muuttaa tuotteen teknisiä ominaisuuksia tai ulkonäköä tästä erikseen ilmoittamatta. Hävitä pakkausmateriaalit vastuullisesti – kierrätä ne mahdollisuuksien mukaan.

TÄRKEÄT TURVALLISUUSOHJEET

TÄRKEÄÄ: Lue tässä kirjasessa esitetyt turvatoimiin liittyvät ohjeet huolellisesti, ennen kuin poistat grillin pakkauksesta tai kytket grillin kaasuun.

VAROITUS: Koskettavissa olevat osat voivat olla hyvin kuumia. Pidä lapset poissa grillin luota.

1. Tämä grilli on tarkoitettu VAIN ULKOKÄYTTÖÖN. Tätä laitetta **EI** saa käyttää sisätiloissa.
2. Lue oman turvallisuutesi ja parhaan käyttömukavuuden takaamiseksi nämä käyttöohjeet ennen laitteen käytön aloittamista.
3. Varmista, että kaikki kaasuliitännät ovat tiiviitä, ennen kuin yrität sytyttää grillin (katso tämän oppaan kaasuvuototarkistusta). Tarkista aina mahdolliset vuodot, kun kaasusäiliö vaihdetaan tai liitetään uudestaan.
4. Jos kaasupulloa ei ole asennettu säiliötelineeseen, sijoita se aina tasaiselle pinnalle.
5. Lapsia tai lemmikkieläimiä ei saa päästää grillin lähelle ruoanlaiton tai grillin lämmityksen ja jäähtymisen aikana ilman valvontaa. Pienet lapset ja lemmikkieläimet on pidettävä poissa grillin luota sen käytön aikana. Varmista, että pienet lapset eivät leiki laitteella. Tätä laitetta ei ole tarkoitettu pienten lasten tai huonokuntoisten henkilöiden käytettäväksi.
6. Ole varovainen irrottaessasi rasvatarjotinta ja kertakäyttöisiä foliotarjottimia. Kuumien öljyjen ja rasvojen virheellinen käsittely voi aiheuttaa vakavia vammoja. Ole varovainen vaihtaessasi levyjä ja ritilöitä. Varo kuumia osia, äläkä päästä öljyä tai rasvaa tippumaan polttimeen. Katso, etteivät polttimen aukot tukkeudu.
7. Käännä kaasun säätönuppi ja kaasusäiliön venttiili kiinni käytön jälkeen. Älä päästä palamatonta kaasua kertymään ympäristöön.
8. Älä koskaan pidä poltinta suurella teholla yli 5 minuuttia, paitsi jos olet todella valmistamassa ruokaa. Kun valmistat ruokaa kansi alhaalla, noudata tämän ohjekirjan grillausohjeita.
9. Älä siirrä laitetta käytön aikana. Grillin nostoon tarvitaan kaksi henkilöä, jotka nostavat grilliä eri puolilta sivupöytien päästä (vasen sivupöytä alhaalla). Huolehdi, ettei kaasuletku altistu paineelle. Sulje kaasun tulo ja irrota letku kaasupullosta (ei grillistä) ennen nostamista. Muista poistaa rasvatarjotin ja kertakäyttöiset alumiinifoliotarjottimet

nostamisen ajaksi rasva/öljyroiskeiden välttämiseksi. Suojakäsineiden käyttöä suositellaan aina, kun käsitellään kuumia osia. Valmistajan tai myyjän sinetöimiä osia ei saa muuttaa.

10. Tämä grilli on suunniteltu käytettäväksi joko mukana toimitetulla jalustallaan tai korotetulla alustalla, esim. lämmönkestävällä pöytätasolla. Kun grilliä käytetään korotetulla alustalla, on alustan oltava tasainen ja tarpeeksi suuri ja tukeva tukemaan grilliä. Alustan tulee myös kestää ympäristön lämpöä 60 °C korkeampaa lämpötilaa. Kun grilliä käytetään jalustallaan, sinun pitää varmistaa, että grilli on vaakatasossa ja että se on kiinnitetty tasoon oikealla tavalla (grillin pohjaosassa olevat neljä ruuvia).
11. Helposti syttyvät materiaalit on pidettävä etäällä grillistä käytön aikana.
12. Älä käytä tätä laitetta mihinkään muuhun kuin sen varsinaiseen käyttötarkoitukseen. Kaikki laitteeseen tehdyt muutostyöt voivat olla vaarallisia. Älä muuta laitteen rakennetta.
13. Rasvapalon sattuessa sulje kaasupullo. Rasvatarjotin pitää tarkistaa ja puhdistaa ennen grillauksen aloittamista. Kertakäyttöiset alumiinifolio-tarjottimet pitää vaihtaa uusiin joka kerta ennen grillauksen aloittamista. Säännöllinen puhdistaminen vähentää rasvojen ja ruoantähteiden kerääntymistä. Ne ovat helposti syttyviä, ja voivat aiheuttaa rasvapaloja. **Rasvapaloja voidaan estää puhdistamalla rasvatarjottimet ja vaihtamalla kertakäyttöiset foliotarjottimet säännöllisesti uusiin.** Rasva- ja foliotarjottimien ei saa antaa täytyä. Takuuoikeus ei kata rasvapaloista aiheutuneita vahinkoja. Älä käytä hiekkaa, kissanhiekkaa tai rasvan imeyttämisineita rasva- tai alumiinifoliotarjottimissa.
14. Laitte on suunniteltu siten, että sen tuottama kuumuus ei vaikuta jalustaan. Kaikki syttyvät materiaalit tulee pitää yli 250 mm etäisyydellä grillin sivuista ja etuosasta, sekä yli 1500 mm etäisyydellä grillin keittopinnan päältä.
15. Jos polttimesta tulee sihisevä ääni, kun se sytytetään, kaasu saattaa palaa sen sisällä. Sammuta poltin ja anna sen jäähtyä, ennen kuin yrität uudelleen sytyttää sen. Suojaa grilli voimakkaalta tuulelta – jos tämä ei ole mahdollista, tarkista aina tuulisissa olosuhteissa, että poltin palaa edelleen.
16. Älä koskaan yritä itse korjata kaasua johtavia tai kaasua polttavia osia – sen saa tehdä ainoastaan valtuutettu huoltoteknikko.
17. Suosittelemme hoitamaan grilliä säännöllisesti parhaan toiminnan varmistamiseksi. Tämä tehdään noudattamalla tässä käyttöohjeessa olevia puhdistus- ja hoito-ohjeita.
18. Kun jalustaa ei käytetä, kaasupullo pitää sijoittaa grilliä alemmaksi ja niin kauas kuin letkua liikaa rasittamasta/venyttämästä on mahdollista, turvalliseen paikkaan (jossa se on suojassa ruoanlaitosta aiheutuneilta rasvaroiskeilta eikä voi vahingossa kaatua). Kun jalustaa käytetään, kaasupullo ja paineensäädin tulee sijoittaa säiliötelineeseen. Jos näin

ei voida toimia (kaasupullon muodon tai koon takia), paineensäädin ja pullo pitää sijoittaa turvalliseen paikkaan laitteen taakse, suojaan rasvaroiskeilta.

19. Tätä tuotetta ei saa asentaa tai käyttää liikkuvissa kulkuvälineissä (vene, perävaunu jne.)
20. Älä käytä tai säilytä tätä laitetta suolapitoisessa ympäristössä (lähellä merta) tai alueella, jossa on syövyttäviä höyryjä tai nesteitä (esim. uima-altaalla), koska nämä kemikaalit voivat aiheuttaa laitteen materiaalien heikentymistä (takuu raukeaa). Säännöllinen puhdistaminen ja laitteen peittäminen Everdure by Heston Blumenthal -suojapeitteellä voivat auttaa vähentämään vaikutusta.
21. Laitte on varustettava hyväksytyllä letkulla, jonka pituus on korkeintaan 1,5 metriä. Suomessa letkun pituus ei saa ylittää 1,2 metriä. Paineensäätimen pitää olla sertifioitu EN16129-säännöksen mukaisesti (virtaama enintään 150 kg/h). Älä taita tai kierrä letkua asennuksen tai käytön aikana. Vaihda letku uuteen, jos siinä on vuoto tai tukkeuma. Suosittelemme korvaamaan letkun uudella 3 vuoden välein.



ÄLÄ KÄYTÄ TÄTÄ LAITETTA ENNEN KUIN OLET LUKENUT KÄYTTÖOHJEET TARKKAAN

ÄLÄ LAITA MITÄÄN ESINEITÄ TÄMÄN LAITTEEN PÄÄLLE TAI SITÄ VASTEN

ÄLÄ SÄILYTÄ TÄMÄN LAITTEEN LÄHELLÄ KEMIKAALEJA TAI HELPOSTI SYTTYVIÄ AINEITA ÄLÄKÄ AEROSOLIPULLOJA

ÄLÄ KÄYTÄ TÄTÄ LAITETTA SISÄTILOISSA

PIDÄ LAITTEEN YMPÄRISTÖ ESTEETTÖMÄNÄ. PIDÄ AINAKIN MINIMIETÄISYYDET: 1500 mm KEITTOTASON YLÄPUOLELLA JA 250 mm KAIKILLA SIVUILLA

ÄLÄ SYTYTÄ GRILLIÄ KANNEN OLLESSA ALHAALLA

LAITTEEN TEKNISET TIEDOT

Huomaa: Suutinten halkaisijan mitat on leimattu yhdelle kuusikulmion sivulle (esim. '165' Ø 1,65 mm suuttimelle).

MALLIN NIMI	KOHDEMAAT	LÄMMÖN SYÖTTÖ	POLTTIMET	SUUTINTEN KOKO	KAASU-LUOKKA	KAASUTYYPPI
FORCE™	BE, FR, IT, LU, IE, GB, GR, PT, ES, CY, CZ, LT, SK, CH, SI, LV	2x3.9kW	2	φ0.95mm	I 3+(28~30/37)	Butaani(28~30) mbar/ Propaani 37 mbar
	LU, NL, DK, FI, SE, CY, CZ, EE, LT, MT, SK, SI, BG, IS, NO, TR, HR, RO, IT, HU, LV	2x3.9kW	2	φ0.95mm	I 3B/P(30)	Butaani, Propaani ja niiden seokset 30 mbar
	AT, DE, CH, LU, SK	2x3.9kW	2	φ0.83mm	I 3B/P(50)	Butaani, Propaani ja niiden seokset 50 mbar
FURNACE™	BE, FR, IT, LU, IE, GB, GR, PT, ES, CY, CZ, LT, SK, CH, SI, LV	3x3.2kW	3	φ0.85mm	I 3+(28~30/37)	Butaani(28~30) mbar/ Propaani 37 mbar
	LU, NL, DK, FI, SE, CY, CZ, EE, LT, MT, SK, SI, BG, IS, NO, TR, HR, RO, IT, HU, LV	3x3.2kW	3	φ0.85mm	I 3B/P(30)	Butaani, Propaani ja niiden seokset 30 mbar
	AT, DE, CH, LU, SK	3x3.2kW	3	φ0.74mm	I 3B/P(50)	Butaani, Propaani ja niiden seokset 50 mbar

PIN_KOODI: 2531CS-0109

Vain grilli	FORCE™			FURNACE™		
	PITUUS (mm)	LEVEYS (mm)	KORKEUS (mm)	PITUUS (mm)	LEVEYS (mm)	KORKEUS (mm)
	1170	515	410	1310	515	410
Grilli ja jalusta	1170	750	1170	1310	750	1170

Ilma pääsee laitteeseen palokammion alaosasta (kaksi 35 x 20 mm aukkoa rasvatarjottimen ja kammion välillä ovaalin aukon (75 x 135 mm) läpi. Palokaasut poistuvat levyjen reunojen kautta (6 mm aukko) ja kannen takaosassa olevan 275 x 40 mm uran kautta. Avointa grilliä käytettäessä ilma pääsee virtaamaan myös ritilän aukkojen kautta.

KAASULIITÄNNÄT

BUTAANI- JA PROPAANIKAASUJEN VAATIMUKSET

Tarkista kaasutyyppi ja tekniset tiedot oikeanpuoleisen sivutason alla olevasta tyyppikilvestä.

KAASUPULLON LIITTÄMINEN

- Grillin optimaalisen suorituskyvyn varmistamiseksi on käytettävä hyväksyttyä kaasupulloa. Mukana toimitetut letku ja/tai säädinyksikkö tulee ensin yhdistää grilliin ja kaasupulloon.
- Älä yhdistä paineensäädintä/kaasupulloa grilliin, ennen kuin grilli on kiinnitetty jalustaansa tai tukevaan, korotettuun tasoon.
- Ennen kaasupullon liittämistä on varmistettava, että kaikki poltinten säätönupit ovat kiinni (Off). Kiinnitä paineensäädin kaasupulloon. Painettavat (click on) -mallit: Paina paineensäädin kaasupullon venttiiliin, kunnes se loksahtaa paikalleen. Kierrettävä paineensäädin: Kierrä mutteri kiinni. Avaa kaasu, ja tarkista, että liitos on tiivis.
- Kun paineensäädin halutaan poistaa kaasusäiliöstä, täytyy sen kahva kääntää suljettu-asentoon, jonka jälkeen kahvaa painetaan sisäänpäin, ja paineensäädin nostetaan pois kaasusäiliön venttiilistä.

HUOMAA: Telineessä saa säilyttää ainoastaan yhtä kaasupulloa kerrallaan.

VUOTOJEN TESTAUS

- Varmista että polttimoiden säätönupit ovat kiinni (**Off**) ja kaasuventtiili auki (**On**).
- Tarkista mahdolliset vuotavat liitoskohdat kostuttamalla liitoksia saippualliuokseen kastetulla harjalla tai rievulla. Jos liitos ei ole tiivis, kohtaan ilmestyy kuplia (tai kuulet suhinaa). Jos havaitset vuodon, sulje kaasuventtiili! Liitoskohtien uudelleen kiristäminen korjaa yleensä vuotavan liitoksen. Myös kaasuletku ja liitos kaasusäiliöön on tarkastettava. Jos vuotoa ei saada korjatuksi, ei grilliä saa käyttää. Täytä huoltolomake ja lähetä osoitteeseen everdure.service@witt.dk



ÄLÄ KÄYTÄ AVOTULTA KAASUVUOTOJEN PAIKALLISTAMISEEN.

JOS VUOTOA EI SAADA LOPPUMAAN LIITOKSIA KIRISTÄMÄLLÄ, ON PAIKALLE KUTSUTTAVA VALTUUTETTU KAASUASENTAJA, EIKÄ GRILLIÄ SAA KÄYTTÄÄ.

KAASUPULLO

Säilötelineeseen asennettavan kaasupullon korkeus ei saa olla yli 500 mm eikä sen halkaisijan yli 320 mm. Jos pullo on suurempi, se tulee sijoittaa tasaiselle pinnalle paikkaan, jossa letku ei joudu kosketukseen terävien reunojen tai kuumien pintojen kanssa eikä altistu ylimääräiselle vedolle. Pidä huoli, ettei kaasupullo tai -letku kosketa grillijalustaa eikä kuumia tai teräviä pintoja. Kaasupullo on aina vaihdettava etäällä kaikista mahdollisista kipinälähteistä.

Asennus ulos

Tätä laitetta saa käyttää ainoastaan ulkotiloissa, jossa ilma vaihtuu luonnollisesti, eikä koskaan paikassa, jossa ilma jää seisomaan. Näin mahdolliset kaasuvuodot ja palokaasut pääsevät tuulettumaan nopeasti tuulen ja luonnollisen ilmanvaihdon ansiosta.

Tätä laitetta ei saa käyttää sisätiloissa. Älä käytä grilliä esim. autotallissa, kuistilla, vajassa tai muissa suljetuissa tiloissa. Grilliä ei saa käyttää kulkuneuvoissa (esim. veneet, asunтоваunut), eikä sitä tulisi sijoittaa minkään palavan tai lämpöherkän pinnan alle tai sellaisen läheisyyteen. Likaa tai muuta sellaista ei saa päästää estämään ilmvirtausta ja paloreaktiota itse grillissä.

KÄYTTÖOHJEET

YLEISET OHJEET

Parhaan hyödyn ja optimaalisen käyttökokemuksen saamiseksi, laitetta pitäisi käyttää suhteellisen suojaisassa paikassa (mutta aina ulkona). Pyri suojaamaan grilli kovilta tuuilta, sillä ne haittaavat olennaisesti ruoanvalmistuksen tehokkuutta. Jos suojaisaa paikkaa ei ole käytössä, grilli tulisi sijoittaa pituussuunnassa samaan suuntaan tuulen suunnan kanssa. Grillin pitää olla vakaalla alustalla vaakatasossa. Kovalla tuulella grillattaessa polttimen palaminen on tarkistettava säännöllisesti (runгон vasemman sivun katseluaukon kautta tai avoimen ritilän läpi). Huolehdi siitä, että grillin ja lähellä olevien seinien tai palavien pintojen välillä on ainakin minimietäisyys, ja kaikki pinnat kestävät kuumaa, Jos grillin jalustaa ei käytetä, myös grillin alla olevan pinnan kuumuuden kestokyky tulee tarkistaa. Grillin jalustaa käytettäessä tulee varmistua siitä, että grilli on tukevasti jalustalla ja lukittu paikoilleen lukkopulteilla, ja että letku ei pääse kosketuksiin minkään kuuman pinnan kanssa.

KAASUTYYPPI JA -KULUTUS

Grillit on suunniteltu käytettäväksi ainoastaan propaani- ja/tai butaanikaasulla. Kaasun kulutus, paine ja suuttimen aukon koko ilmoitetaan oikeanpuoleisen sivutason alla olevassa tyyppikilvessä.

KAASUN SÄÄTÖNUPPI

Grillin oikealla sivutasolla sijaitsevat polttimien säätönupit lukittuvat sekä sammutettu **(Off)** -asentoon että suurin teho **(High)** -asentoon. Kaasu avataan painamalla nuppia alaspäin ja kääntämällä sitä vastapäivään pois Off-asennosta, suurimpaan tehoon **(High)** asti. Jos nuppia käännetään edelleen tähän suuntaan, kaasun virtaus vähenee, kunnes saavutetaan pienin teho (haudutustaso). Kaasu sammutetaan kääntämällä polttimen säätönuppia myötapäivään pienimmältä teholta **(Low)**, ja painamalla se alas suurimman tehon **(High)** kohdassa, jonka jälkeen nupin voi kääntää Pois päältä -kohtaan **(Off)**.

MATTA, KERAAMINEN GRILLIRITILÄ, VALURAUTAA

2 polttimen FORCE™ ja 3 polttimen FURNACE™ -grillit toimitetaan grilliritilöin

varustettuina. FURNACE™-malliin voi ostaa lisävarusteena sileän valurautalevyn grillin oikealle puolelle käytettäväksi (tätä suositellaan tasoyhdistelmään, koska se vähentää lämmön virtaamista säätönupeille). Kolmen polttimen FURNACE™ -grillissä on mahdollisuus käyttää keskelle sijoitettavaa teppanyaki-levyä tai oikealle puolelle sijoitettavaa, umpinaista valurautalevyä (ostettavissa lisävarusteina). Huomaa, että ritilät ja levyt eivät sovi käytettäväksi muissa malleissa, ja että vain yksi grillitaso kerrallaan voidaan korvata levyllä. Avoimissa ritilöissä on ritilän alle integroitu valurautainen kiinteä metallinauha, joka suojaa poltinta putoavalta öljyltä tai ruoalta. Ritilät ja levyt sopivat rungon sisään rakennettuihin pidikkeisiin. Kun ritilät on kohdistettu oikein, ritilöiden ja rungon sisäreunan välillä on 5-6 mm aukko. Kaikki ylimääräinen rasva ja neste valuvat runkoon ja tippuvat grillin läpi rungon alaosassa oleville rasva- ja foliotarjottimelle. Jos poltin tukkeutuu, anna grillin jäähtyä, sammuta kaasun saanti ja puhdista poltin teräsharjaa käyttäen. Luettelon lisävarusteista löydät verkkosivuiltamme www.everdurebyheston.fi.

HUOMAA: Metalliset keittiövälineet voivat naarmuttaa emalipinnoitetta, eikä niitä siksi saa käyttää grillauksessa. Takuuoikeus ei kata metallisten tai terävien esineiden eikä hankaavien tai syövyttävien puhdistusaineiden aiheuttamia vaurioita. Suosittelemme käyttämään silikonisia keittiövälineitä, koska ne ovat hygieenisitä ja kestävät korkeita lämpötiloja.

RASVATARJOTIN

Tarkista ennen käyttöä, että rasvatarjotin on puhdas ja sillä on kertakäyttöinen alumiinifoliotarjotin. Käytä vain kertakäyttöisiä foliotarjottimia, jotka on suunniteltu tälle grillille, koska väärän kokoiset tai väärän korkuiset tarjottimet voivat aiheuttaa ongelmia grillin ilmankiertoon tai rasva- ja öljyroiskeita. Varmista että rasvatarjotin folioineen on paikoillaan, ennen kuin käytät grilliä.

HIEKKAA, KISSANHIEKKAA TAI RASVAN IMEYTTÄMISAINOITA EI SAA MISSÄÄN OLOSUHTEISSA KÄYTTÄÄ RASVATARJOTTIMESSA RASVAN IMEYTTÄMISEEN.

everdure

by heston blumenthal

GRILLAAMINEN KANSI ALHAALLA

Laitteella ei saa grillata kansi kiinni niin, että kaikki säätönupit on asetettu täydelle teholle. Jos ohjetta ei noudateta, seurauksena voi olla vakava ylikuumeneminen ja ruoan palaminen. Paras tapa grillata on käyttää grillaustelinettä, esim. Everdure by Heston Blumenthal HBROASTR-paistoritilää, joka päästää ilman kiertämään lihan ympärillä, ja samalla rasva valuu vapaasti pois lihasta.

Asenna kaikki grillausritilät niiden vakiopaikalle kasausohjeiden mukaisesti. Leikkaa hieman grillausalaa suurempi pala foliota ja sijoita se ritilöiden päälle grillin keskiosaan. Leikkaa folioon muutamia aukkoa, jotta liika kosteus ja rasvat pääsevät valumaan ritilöiden läpi. Sijoita paistoteline keskelle foliota. Esilämmitä grilliä 5 minuutin ajan kansi alhaalla ja uloimmat kaasun säätönupit täydellä teholla **(High)** (FURNACE™-grilleissä **pitää keskimmäisen säätönupin olla sammutettuna**).

Kun grilli on saavuttanut ~180°C lämpötilan, avaa kansi ja sijoita ruoka paistotelineelle, sulje sitten kansi ja käännä säätönupit minimiteholle (näitä voit säätää grillauksen aikana siten, että lämpötila kannen alla pysyy tasaisena, koska sääolosuhteet vaikuttavat grillin tehoon). Valvo valmistettavaa ruokaa säännöllisesti, kunnes se on valmista.

SIVUTASOJEN SÄÄTÖ

Vasemmanpuoleinen sivutaso voidaan taittaa alas varastoinnin helpottamiseksi (oikeanpuoleinen sivutaso, jossa on kaasun säätönupit, on kiinteä, eikä sitä voi kääntää alas). Kun grilli on sammutettu ja jäähtynyt, taita vasen sivutaso alas sijoittamalla vasen jalkasi grillin vasemman takajalan eteen tukemaan grilliä ja vetämällä sivutasoa eteenpäin irrottaaksesi sen lukituksen grillistä. Kun sivutaso on kokonaan ulkona, voit laskea sen alas. Katso kokoamisohjeen kohdan 9 kaaviokuvia.

RUOANVALMISTUKSEN JÄLKEEN

- Kun ruoka on valmista, varmista, että polttimien säätönupit sammutettu **(Off)**.
- SULJE PAINEENSÄÄTIMEN VENTTIILI KÄYTÖN JÄLKEEN.**
- Poista ruoanlaiton jälkeen grillistä ruoantähteet ei-metallisella kaapimella grillin ollessa yhä lämmin.
- Ylimääräinen rasva ja lihanpalat voidaan kaapia pois grillin rungon sisäosasta poistamalla ensin ritilät/levyt tieltä.

VAROITUS: Jotkin pinnoista voivat yhä olla kuumia –käytä aina patakintaita.

- Puhdista rasvatarjotin ja korvaa foliotarjotin uudella aina ennen tai jälkeen kutakin käyttökertaa.
- Sulje kansi grillin jäähtyttyä, ja pyyhi pois mahdolliset rasvaroiskeet grillin jalustasta puhtaalla liinalla.

SYTYTTÄMINEN



LUE KAIKKI SYTYTYSOHJEET ENNEN LAITTEEN SYTYTTÄMISTÄ

AVAA KANSI ENNEN SYTYTTÄMISTÄ

VARMISTA, ETTÄ POLTTIMIEN SÄÄTÖNUPIT OVAT OFF-ASENNOSSA, JA AVAA SITTEEN PAINEENSÄÄTIMEN VENTTIILI

KATSO, ETTÄ RITILÄT JA KÄYTETTÄVÄT GRILLILEVYT ON ASENNETTU OIKEIN

GRILLIN SYTYTTÄMINEN SÄÄTÖNUPEILLA

FORCE™ ja FURNACE™ -grilleissä on polttimoihin integroitu kipinäsytytin, joka käynnistetään oikeanpuoleisen sivutason säätönupeilla. Poltin sytytetään painamalla kyseisen polttimon ohjausnuppia alas ja kääntämällä sitä hitaasti vastapäivään, jolloin kaasu alkaa virrata polttimeen. Kun nuppi tulee säätöpaneeliin merkityn sytytyssymbolin kohdalle, kipinä sytyttää polttimessa olevan kaasun. Nyt nupin voi kääntää suurimmalle teholle (**High**), jolloin siitä voi päästää irti, tai säätää lämpötilan sopivaan tehoon.

Jos poltin ei syty, käännä säätönuppi takaisin **“Off”**-asentoon ja yritä sitten uudestaan. Jos et saa kaasua syttymään viidennelläkään kerralla, odota 5 minuuttia ennen kuin yrität uudelleen.

FORCE™ -grilleissä on 2 säätönuppia ja FURNACE™ -grilleissä 3 (yksi kullekin ritilän tai levyn alla sijaitsevalle polttimelle). Käyttäjistä kauimpana oleva säätönuppi ohjaa oikeanpuoleista poltinta. Käyttäjää lähimpänä oleva säätönuppi ohjaa vasemmanpuoleista poltinta. Keskimmäistä säätönuppia (vain FURNACE™) käytetään keskellä olevan polttimen säätämiseen.

PUHDISTUS JA SÄILYTYS

ULKOPUOLEN PUHDISTUS

Ennen kuin laite puhdistetaan, on varmistettava, että se on tarpeeksi jäähtynyt ja siihen voi turvallisesti koskea. Maalattut ja muoviset pinnat voidaan puhdistaa mietoon astianpesuaine- tai yleispuhdistusaineliuokseen kastetulla, kuivaksi puristetulla liinalla. (Älä käytä hankausaineita tai muita voimakkaita kloori- tai happopitoisia pesuaineita.)

Suosittelimme, että testaat pesuainetta ensin laitteen piilossa olevaan osaan. ÄLÄ KOSKAAN käytä puhdistukseen maalinohenteita tai vastaavia liuottimia, äläkä **KOSKAAN** kaada kylmää vettä kuumille pinnoille. Kuivaa pinnat puhdistuksen jälkeen.

PUHDISTUS SISÄLTÄ

Anna laitteen jäähtyä vain hieman lämpimäksi, ennen kuin puhdistat sitä sisäpuolelta. Kannen sisäpuolen voit puhdistaa kuivaksi puristetulla pehmeällä sienellä, jonka olet kastanut mietoon pesuaineliuokseen. Puhdista grilliritilöiden ja -levyn tarttumaton pinnoite erityisen varovasti, jotta pinnoite ei naarmuuntuisi. Puhdistus käy parhaiten pinnan ollessa yhä hieman lämmin. Vaikeasti puhdistettavia kohtia voidaan käsitellä laittamalla ruokasoodaa pehmeään märkään sieneen. Älä käytä syövyttäviä tai hankaavia puhdistusaineita.

VAROITUS! Levysten pinnat voivat vielä olla hyvin kuumia. Käytä aina suojakäsineitä

SÄILYTYS

Kun laitetta ei käytetä, on grillin säätönupit ja kaasupullon venttiiliin oltava kiinni. Sulje aina kaasupullon venttiili ennen kuin irrotat paineensäätimen. Grilli jalustoineen ja kaasupullo varastoidaan hyvin tuuletetuissa ulkotiloissa. Grillin voi säilyttää myös sisällä (mutta ei kaasusäiliötä). Varmista ennen varastointia, että grilli on puhdistettu.



**KAASUSÄILIÖ ON SÄILYTETTÄVÄ HYVIN TUULETETUSSA
PAIKASSA, POISSA LASTEN ULOTTUVILTA**

Kun kaasupullo irrotetaan, poistoventtiilin tulppa tai kansi tulee laittaa takaisin paikoilleen. Jos laite varastoidaan pidemmäksi ajaksi, suosittelemme suojaamaan polttimien ensisijaiset ilma-aukot hyönteisiltä ja muilta tuhoeläimiltä. Hämähäkit ja pienet hyönteiset voivat tehdä verkkoja tai koteloita polttimoiden putkiin, ja se voi estää kaasun ja ilman vapaan virtaamisen; lopputuloksena voi syntyä tulipalo polttimien putkiin. Tämän tyyppistä paloa kutsutaan takaisin leimahtamiseksi, ja se voi vahingoittaa vakavasti grilliäsi ja tehdä sen käytöstä vaarallista. Näiltä ongelmilta vältytään tarkastamalla ja puhdistamalla polttimet säännöllisesti. Käytä Everdure by Heston Blumenthal FORCE™ - tai FURNACE™-grillisuojaa estääksesi tällaisen vaaran syntymisen.

VIANMÄÄRITYS

Poltin ei syty säätönappia käytettäessä:

Kaasuventtiili on kiinni	Avaa kaasupullon venttiili.
Kaasupullo on tyhjä	Vaihda tilalle täysi kaasupullo.
Sytytin ei tee kipinää	Poista grilliritilä/-levy ja tarkista näkykö säätönappia käytettäessä kipinää. Tarkista, että kipinäsytyttimen johdot on liitetty kaasuhanan. Tarkista myös, että kipinäsytytin on suorassa. Jos kipinää ei edelleenkaan synny, ota yhteyttä huoltoon.
Suutin on tukossa	Puhdista suutin hammasharjalla. Älä koskaan poraa sitä tai käytä metallilankaa puhdistukseen. Älä poista suutinta. Ota yhteys huoltoon, jos puhdistaminen hammasharjalla ei onnistu.

Liekki palaa epätasaisesti:

Poltin on tukossa	Sammuta kaasu. Poista grilliritilä/valurautalevy ja tarkista, onko polttimessa tukkeutumia. Puhdista aukot.
Liekki palaa polttimen sisällä (sihisevä ääni)	Kytke poltin pois päältä, anna sen jäähtyä, ja sytytä sitten uudestaan ohjeiden mukaisesti.
Paineensäädin on viallinen	Täytä huoltolomake ja lähetä osoitteeseen everdure.service@witt.dk.
Suutin on osittain tukkeutunut	Puhdista suutin hammasharjalla. Älä koskaan poraa sitä tai käytä metallilankaa puhdistukseen. Älä poista suutinta. Jos puhdistus hammasharjalla ei onnistu, täytä huoltolomake ja lähetä osoitteeseen everdure.service@witt.dk.

Kaasua vuotaa liitoksist:

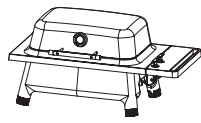
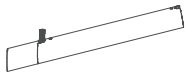


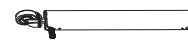

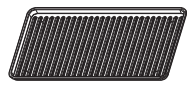

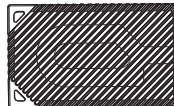


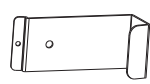



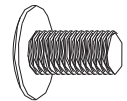
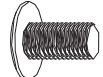



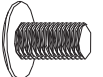




Liitokset ovat löysällä	Kiristä liitokset (ei liian tiukalle) ja tee kaasun vuototestaus edellä (sivulla 49) esitettyjen ohjeiden mukaisesti.
Letku on rapistunut	Täytä huoltolomake ja lähetä osoitteeseen everdure.service@witt.dk - letku on vaihdettava .
Kaasuventtiili on viallinen	Täytä huoltolomake ja lähetä osoitteeseen everdure.service@witt.dk.
Kierteet vahingoittuneet	Täytä huoltolomake ja lähetä osoitteeseen everdure.service@witt.dk.

GRILLIN KOKOAMINEN

Grilli ja kansi toimitetaan kasattuna, kaasujohto asennettuna kaasun syöttöliittimeen. Laitetta asennettaessa jalusta tulee koota ensin (huomaa: kuljetussyistä grilli on pakattu pultattuna kiinni jalustan yläosaan, ja se pitää irrottaa ennen kuin jalusta kootaan). Grilli sijoitetaan kootulle jalustalle (grilliiä voi tosin käyttää myös korotetulla, lämmönkestävällä pöydällä/ muulla alustalla). Jalustan kokoamiseen tarvitaan vain keskikokoista ristipääruuvimeisseliä.

Avaa pakkaus ylhäältä ja ota osat esille. Poista kaikki pakkausmateriaalit (myös grillin sisältä), ja aseta osat puhtaalle pinnalle. Tarkista mahdolliset osien vaurioitumiset ja puuttuvat osat (jos niitä löytyy, täytä huoltolomake ja lähetä osoitteeseen everdure.service@witt.dk.).

FORCE™ JA FURNACE™ -GRILLIEN MUKANA TULEVAT OSAT

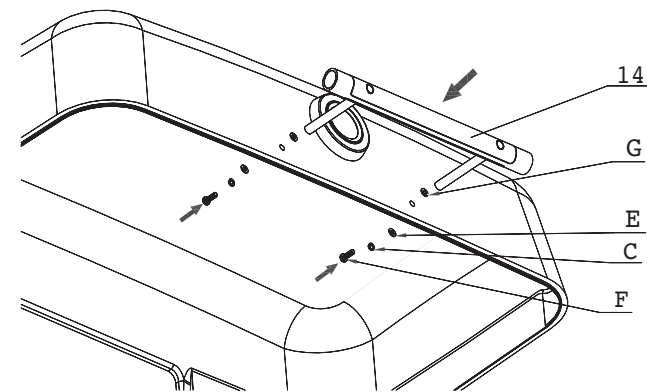
01/ 1 x kansi, grillin runko ja 01B jalusta kiinnitettynä	02 / 1 x vasen etujalka	03/ 1 x vasen takajalka	04/ 1 x oikea etujalka	05/ 1 x oikea takajalka	06/ 2 x alahyllyn tukitanko	07/ 1 x alahylly	08/ 2 x valurautaritilä (vain FORCE)
							
09/ 1 x valurautainen keskiritilä (vain FURNACE)	10/ 2 x valurautaritilä (vain FURNACE)	11/ 1 x rasvatarjotin	12/ 1 x kaasusäiliön kiinnityskoukku	13/ 1 x kaasusäiliön tukiketju x 1Pc	14/ 1 x kannen kahva	15/ Left Hand Servery x 1Pc	A/ 15 x pultti M6 x 12
							
B/ 4 x pultti M5 x 12	C/ 6 x jousialuslevy Ø5	D/ 5 x jousialuslevy Ø6	E/ 10 x suora aluslevy Ø6	F/ 2 x pultti M5 x 30	G/ 2 x lasikuitulaatta Ø5	H/ 1 x mutteri M6	I / Bolt M6 x 85 x 2Pcs
							
J / Hinge Spring x 2Pcs							
							

PAKKAUS

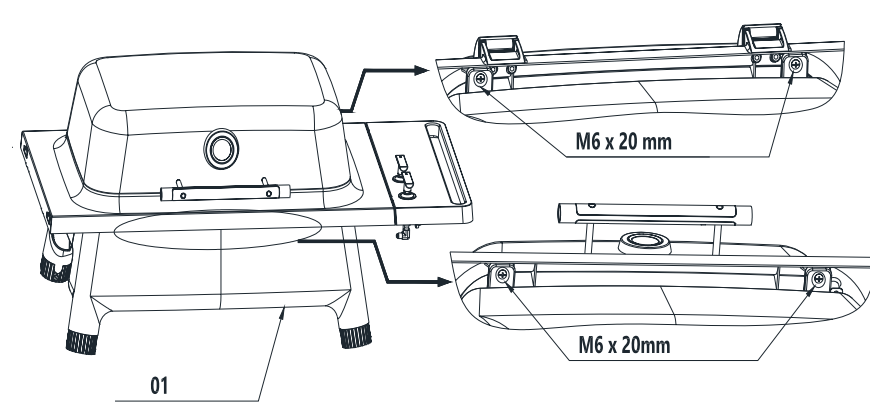
Poista kaikki pakkausmateriaalit, myös kannen alta ja grillin rungon sisältä. Poista grilli pois pakkauksestaan ennen kokoamista ja käyttöä. Hävitä pakkausmateriaalit paikkakuntasi määräysten mukaisesti. Pidä pakkaukset poissa lasten ulottuvilta.

VAIHE 01

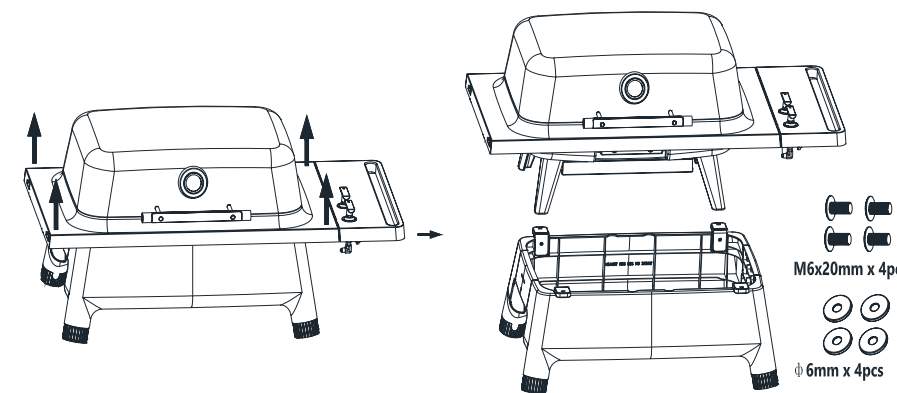
/Avaa kansi ja kiinnitä kannen kahva (14) käyttäen kahta M5x15 mm pulttia (F), kahta Ø5mm jousialuslevyä (C) kaksi Ø6mm litteää aluslevyä (E) ja kahta Ø5 mm lasikuitulaatta (G). Kiristä paikoilleen.

**VAIHE 02**

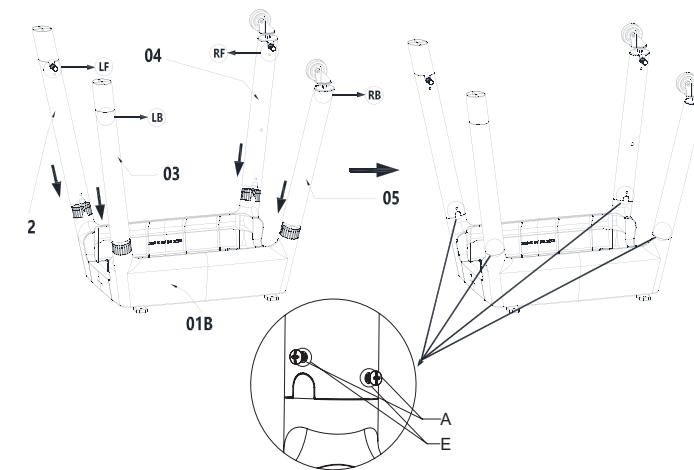
/Kansi ja grillin runko toimitetaan kiinnitettynä jalustan yläosaan neljällä M6x20 mm pultilla ja neljällä Ø6mm jousialuslevyllä (kaksi edessä ja kaksi takana). Jalustan yläosa tulee irrottaa, ennen kuin jalustaa aletaan koota.



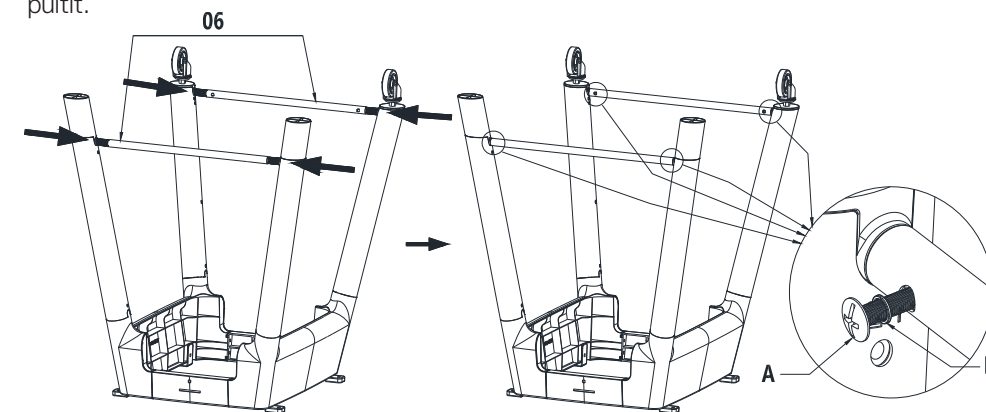
Kallista yhdistelmää hiukan taaksepäin ja irrota molemmat M6x20 mm pultit, toista sitten tämä etuosalle, tue osia niin että ne eivät pääse putoamaan. Säilytä kaikki kiinnitystarvikkeet myöhempää käyttöä varten. Tarrat osoittavat, minne pultit myöhemmin kiinnitetään. Nosta nyt grilli kansineen jalustalta ja laita osat sivuun.

**VAIHE 03**

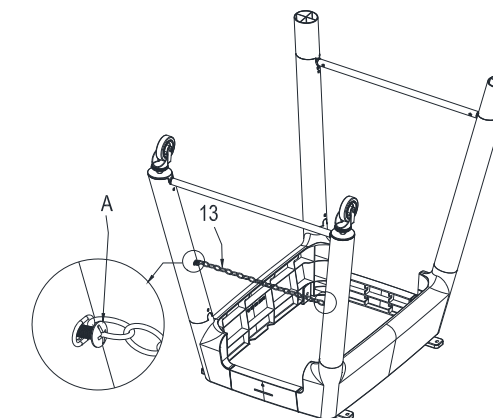
/Ota jalustan yläosa (01B) ja sijoita se ylösalaisin (jalkojen tyngät ylöspäin) puhtaalle pinnalle (huomaa: jalustan yläosassa ei ole etu- tai takaosaa, vaan sen määrää jalkojen asettelu). Ota oikea etujalka (04, jossa ruuvinreikä jalassa), ja sijoita sen oikeaan etukulmaan. Kiinnitä se paikoilleen M6 x 12 mm pultilla (A) ja suoralla aluslevyllä (E), mutta älä vielä kiristä. Ota oikea takajalka (05, jossa ruuvinreikä jalassa) ja sijoita sen oikeaan takakulmaan. Kiinnitä se paikoilleen käyttäen M6 x 12 mm pulttia (A) ja suoraa aluslevyä (E), mutta älä vielä kiristä. Ota vasen etujalka (02) ja sijoita se vasempaan etukulmaan. Kiinnitä se paikoilleen käyttäen M6x12 mm pulttia (A) ja suoraa aluslevyä (E), mutta älä kiristä. Ota lopuksi vasen takajalka (03), ja sijoita se vasempaan takakulmaan. Kiinnitä se paikoilleen M6x12 mm pultilla (A) ja suoralla aluslevyllä (E), mutta älä kiristä.

**VAIHE 04**

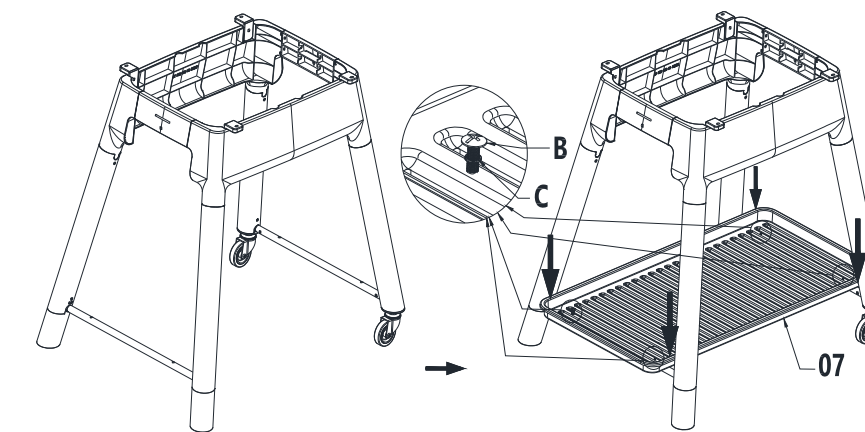
/Ota alahyllyn tukitangot (06) ja sovita ne jalkojen sisäpuolella oleviin lieriömäisiin aukkoihin. Käännä tankoja niin, että ulommat ruuvinreiät osoittavat sisäänpäin ja sisemät ruuvinreiät kohti jalustan yläosaa (jos näin ei ole, vedä ne ulos ja aseta osat toisin päin). Kiinnitä paikoilleen kahdeksan M6x12 mm pultilla (A) ja suora aluslevy (E). Kun kaikki osat on kasattu, kiristä kaikki neljä pulttia ja vaiheessa 03 esitetyt jalkojen pultit.

**VAIHE 05**

/Oikeanpuoleisten jalkojen sisällä on kaksi kierteistä aukkoa. Ota tukiketju (13) ja kiinnitä se jalkoihin, käytä kahta M6x12 mm pulttia (A). Kiristä hyvin.

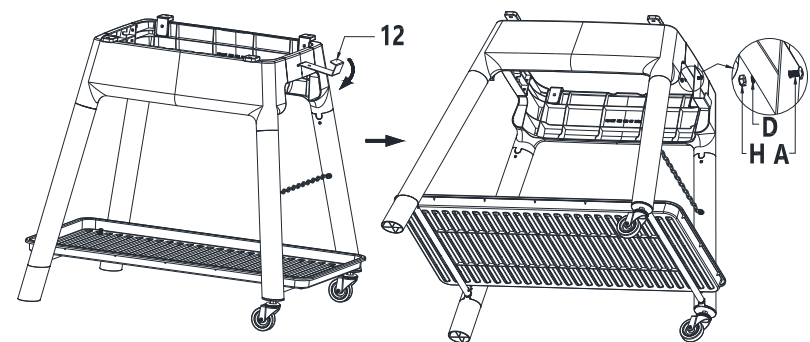
**VAIHE 06**

/Käännä jalusta jaloilleen ja tarkista, että kaikki jalat ovat tukevasti paikoillaan. Ota muovinen alahylly (07), ja sijoita se alahyllyn tukitankojen varaan. Kohdistamalla alahyllyn neljä aukkoa tukitankojen neljän kierteisen aukon kanssa ja kiinnitä hylly paikoilleen käyttäen neljää M5x12 mm pulttia (B) ja neljää jousialuslevyä (C). Kiristä hyvin.



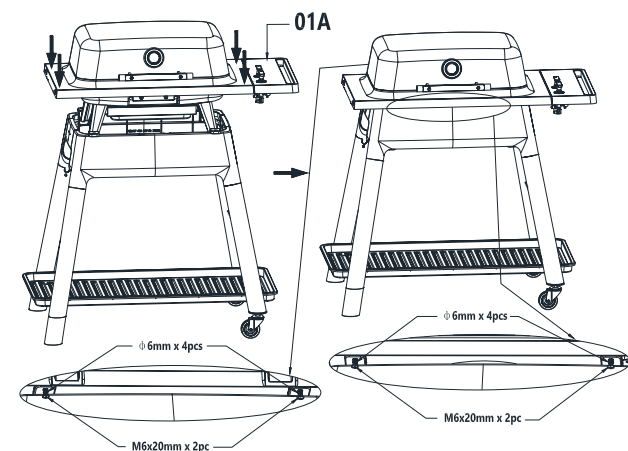
VAIHE 07

/Työnnä kaasupullon pidikkeen (12) suoraan jalustan yläosan aukkoon (oikeanpuoleisten jalkojen ja pyörien yläpuolella) niin pitkälle, että vain koukkuosa jää näkyviin. Paina koukku alaspäin niin, että se tulee jalustan yläosaan vasten. Kiinnitä paikoilleen M6x12 mm pultilla (A), M6-lukkomutterilla (H) ja jousialuslevyllä (D). Jalusta on nyt koottu valmiiksi.



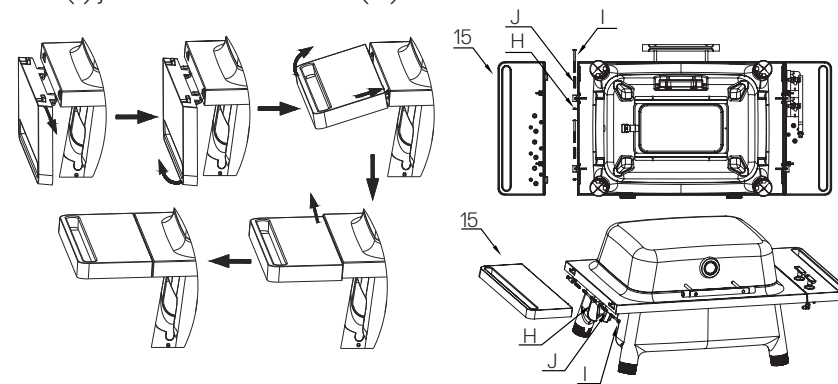
VAIHE 08

/Sijoita jalusta eteesi siten, että sen pyörät ovat oikealla. Nyt tarvitaan kaksi henkilöä nostamaan grilli kansineen (01A) kummankin sivutason puolelta, ja laskemaan se paikoilleen jalustaan (etuosa eteenpäin, pyörät oikealle). Kiinnitä grilli jalustan yläosaan neljää vaiheessa 1 irrotettua M6x20 mm pulttia ja M6 jousialuslevyä käyttäen – kaksi etu- ja kaksi takaosaan. Kiristä kunnolla.



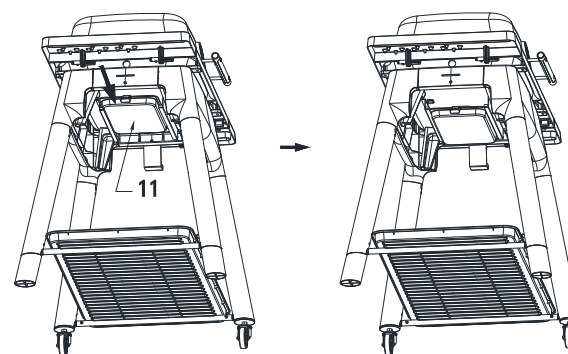
VAIHE 09

/Vasemman sivutason kiinnittäminen (15) grilliin (01B): kannattele vasenta sivutasoa, vie kohdistustapit reikiin ja työnnä vasenta sivutasoa taaksepäin (n. 1 cm). Aseta jousi (J) M6 x 85 mm ruuviin (I) ja kiinnitä M6 mutterilla (H).



VAIHE 10

/Aseta rasvatarjotin (11) ja kertakäyttöinen foliotarjotin grillin pohjalla oleviin kiinnikkeisiin. Tarkista, että rasvatarjotin on sijoitettu oikein.



VAIHE 11

/Sijoita ritilät grilliin kaaviokuvien mukaisesti. Kunkin ritilän reunassa pitää olla 5-6mm aukko. Jokainen ritilä sopii grilliritilän tuen uraan. Grillilevyjä voi ostaa lisää.

HUOLTAMINEN

Suosittellemme tekemään seuraavat hoitotoimenpiteet ennen jokaisen uuden grillikauden alkua.

POLTIN

1. Harjaa poltinten ulkopuoli jäykkää harjaa käyttäen, jotta ruoste ja lika irtoaisi. Varmista, että kaikki polttimoiden aukot ovat avoimia.

KAASUN SAANTI

1. Tarkista, että kaasuletkussa ei ole kulumaa tai vaurioita ja vaihda se tarvittaessa.
2. Testaa kaasupiiri vuotojen varalta. Kiristä kaikki liitokset. Täytä huoltolomake ja lähetä osoitteessa everdure.service@witt.dk Grilliä ei saa käyttää, jos kaasupiiri ei ole tiivis.

GRILLI JA KANSI

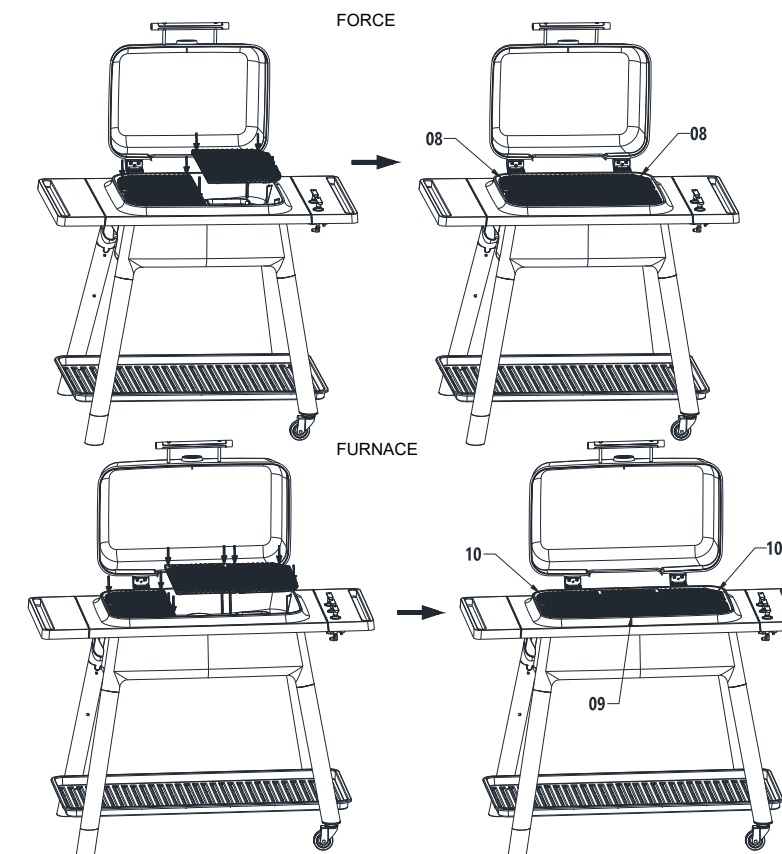
1. Pyyhi grilli ja sen kansi puhtaalla liinalla. Kansi voidaan kiillottaa uudelleen auton kiillotusaineella.

JALUSTA

1. Tarkista, että kaikki kiinnikkeet ovat tiukassa ja kiristä tarvittaessa, jotta rakenteen jäykkyys säilyisi.
2. Pyyhi grillin jalusta puhtaalla, kuivalla liinalla. Voitele kaikki liikkuvat osat öljyllä.

Jos grilli on asennettu jalustalleen, tarkista kaikki grillin ja jalustan liittävät pultit, ja kiristä ne tarvittaessa. Grillin kulumista voidaan vähentää käyttämällä grilliä säältä suojaavaa peitettä silloin, kun grilli ei ole käytössä.

TÄRKEÄÄ: Suojaa ruostumattomat teräspinnat hapottomalla öljyllä useita kertoja vuodessa minimoidaksesi ruosteen muodostumisen. Huomaa, että takuuoikeus ei kata ruosteaurioita eikä grillin pinnan hapettumista.



VAIHE 12

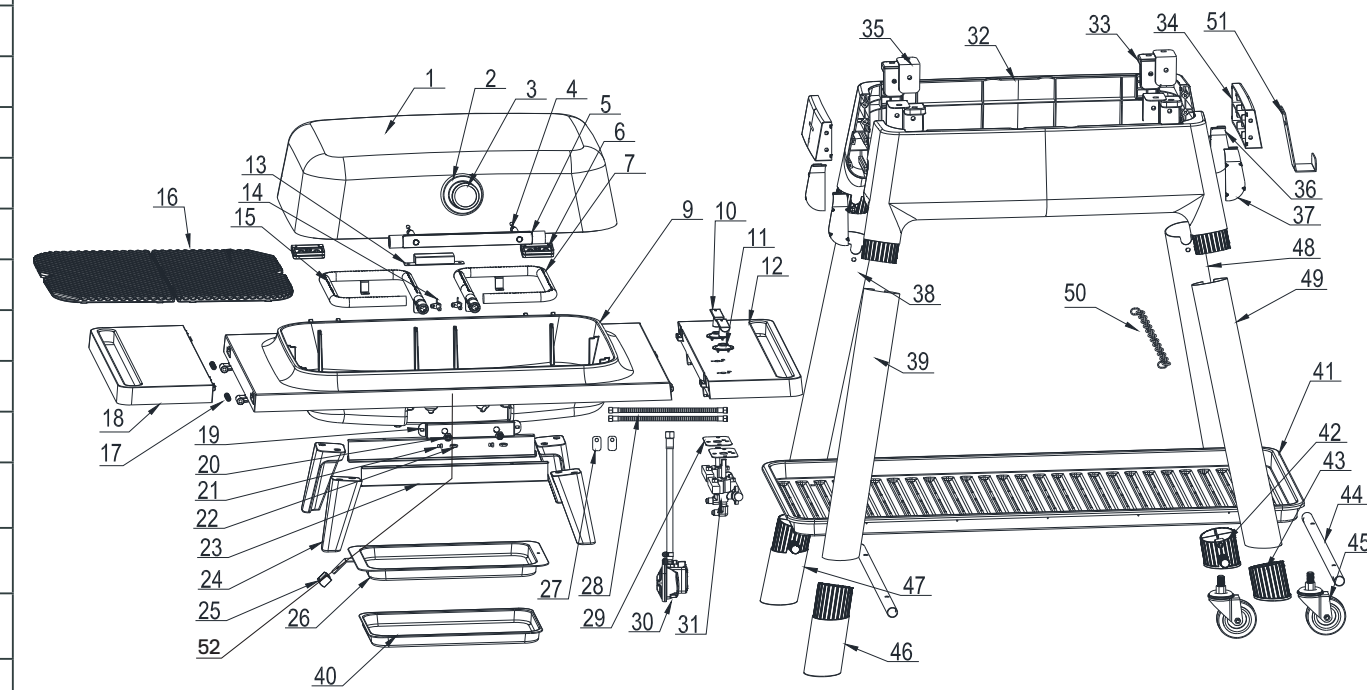
/Yhdistä hyväksytty letku ja/tai paineensäädin kaasun syöttöliittimeen (jos ei vielä ole liitetty). Kiinnitä kaasupullo kiinnityskoukkuun (12), ja anna sen nojata tukiketjua vasten. Kiinnitä paineensäädin kaasupullon ja tee vuoto testi (katso tämän käyttöohjeen kaasuvuototestiä) ennen käyttöönottoa. Tarkista, että kaikki letkun liitokset ovat tiiviitä ja että säätönupit ovat suljettu -asennossa, ennen kuin avaat kaasuhanan ja teet vuoto testin.

OSALUETTELO: FORCE™-GRILLIT

	OSAN NIMI	LKM
1	Kansi E2G2 (Mint)	1
	Kansi E2G2 (Stone)	1
	Kansi E2G2 (Orange)	1
	Kansi E2G2 (Graphite)	1
	Kansi E2G2 (Black)	1
2	Lämpömittarin kehys	1
3	Lämpömittari	1
4	Kannen kahvan holkki	2
5	Kannen kahva	1
6	Sarana	2
7	Oikeanpuoleinen poltin (E2G2)	1
8	Laitteistosarja (ei kuvassa)	1
9	Grillin runko (E2G2)	1
10	Säätönuppi	2
11	Säätönupin kehys	2
12	Oikeanpuoleinen sivutaso (E2G2)	1
13	Kaasun sytytyslaatikko (E2G2)	1
14	Elektrodi (E2G2)	2
15	Vasemmanpuoleinen poltin (E2G2)	1
16	Grillausritilä (E2G2)	2
17	Sivutason jousi	2
18	Vasemmanpuoleinen sivutaso	1

19	Suuttimen kiinnike (E2G2)	1
20	Suuttimen kotelo	2
21	Suutin (E2G2)	2
22	Suuttimen kotelon mutteri	2
23	Rasvatarjottimen pidike (E2G2)	2
24	Grillirungon jalat	4
25	Rasvatarjottimen kahva	1
26	Rasvatarjotin	1
27	Kaasuletkun tuki	2
28	Kaasuletku (E2G2)	2
29	Venttiin tuki	2
30	Letku ja paineensäädin	1
31	Kaasuventtiili & syöttöliitin (E2G2)	1
32	Jalustan etu-/takapaneeli (E2G2)	2
33	Jalustan yläosan kiinnikehela	4
34	Jalustan yläosan sivupaneeli	2
35	Kiinnikehela	4
36	Jalustan yläosan suoja, takaoikea/etuvasen	2
37	Jalustan yläosan suoja, takavasen/etuoikea	2
38	Vasen etujalka	1
39	Vasen takajalka	1
40	Kertakäyttöinen foliotarjotin	1

41	Alahylly (E2G2)	1
42	Jalan tulppa, takaoikea	1
43	Jalan tulppa, etuoikea	1
44	Alahyllyn tukitanko	2
45	Pyörä	2
46	Vasen etujalka jatkopala	1
47	Vasen takajalka jatkopala	1
48	Oikea etujalka	1
49	Oikea takajalka	1
50	Kaasupullon tukiketju	1
51	Kaasupullon kiinnityskoukku	1
52	Logo	1

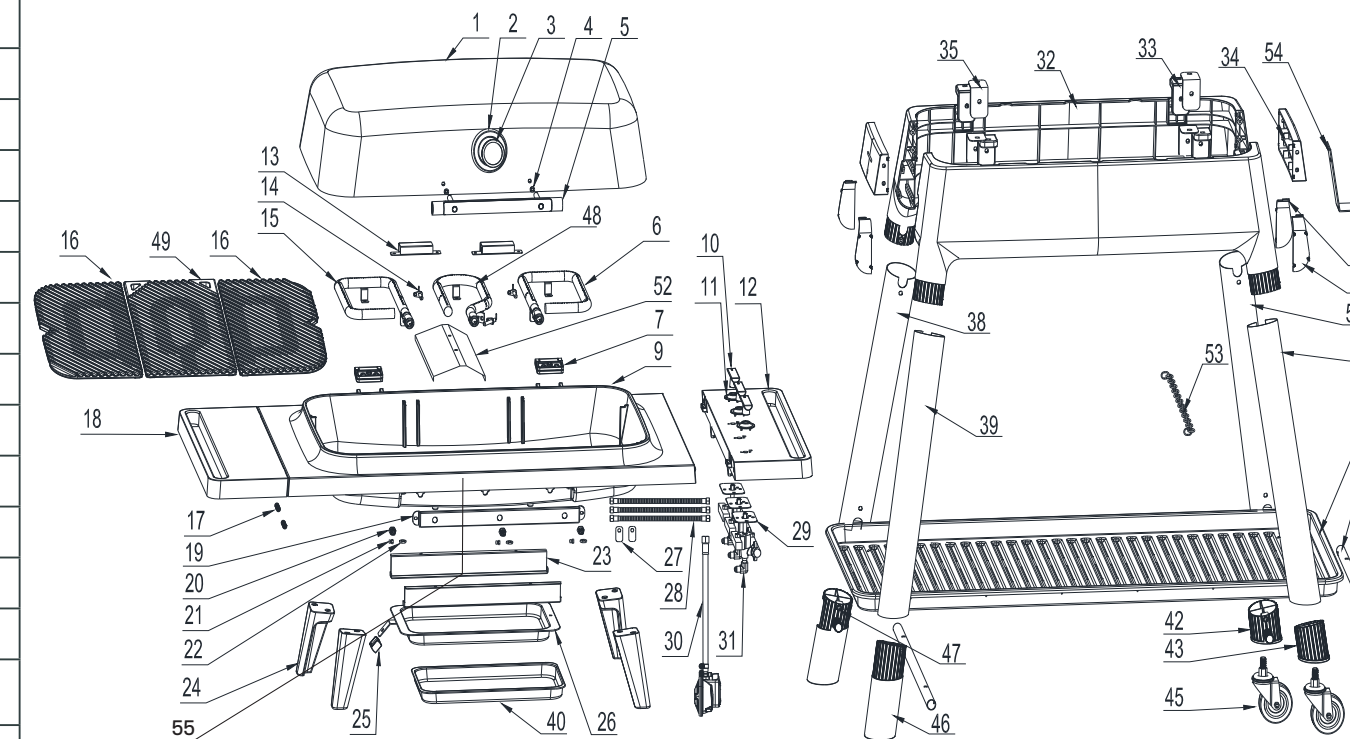


OSALUETTELO: FURNACE™-GRILLIT

	OSAN NIMI	LKM
1	Kansi E3G2 (Orange)	1
	Kansi E3G2 (Mint)	1
	Kansi E3G2 (Stone)	1
	Kansi E3G2 (Graphite)	1
	Kansi E3G2 (Black)	1
2	Lämpömittarin kehys	1
3	Lämpömittari	1
4	Kannen kahvan holkki	2
5	Kannen kahva	1
6	Oikeanpuoleinen poltin (E3G2)	1
7	Sarana	2
8	Laitteistosarja (ei kuvassa)	1
9	Grillin runko (E3G2)	1
10	Säätönuppi	3
11	Säätönupin kehys	3
12	Oikeanpuoleinen sivutaso (E3G2)	1
13	Kaasun sytytyslaatikko (E3G2)	2
14	Elektrodi (E3G2)	3
15	Vasemmanpuoleinen poltin (E3G2)	1
16	Grillausritilä (E3G2)	2
17	Sivutason jousi	2

18	Vasemmanpuoleinen sivutaso	1
19	Suuttimen kiinnike (E3G2)	1
20	Suuttimen kotelo	3
21	Suutin(E3G2)	3
22	Suuttimen kotelon mutteri	3
23	Rasvatarjottimen pidike (E3G2)	2
24	Grillirungon jalat	4
25	Rasvatarjottimen kahva	1
26	Rasvatarjotin	1
27	Kaasuletkun tuki	2
28	Kaasuletku (E3G2)	3
29	Venttiilin tuki	2
30	Letku ja paineensäädin	1
31	Kaasuventtiili & syöttöliitin (E3G2)	1
32	Jalustan etu/takapaneeli (E3G2)	2
33	Jalustan yläosan välike	4
34	Jalustan sivupaneeli	2
35	Kiinnikehela	4
36	Jalustan yläosan suojuus, takaoikea/ etuvasen	2
37	Jalustan yläosan suojuus, takavasen/ etuoikea	2
38	Vasen etujalka	1
39	Vasen takajalka	1

40	Kertakäyttöinen foliotarjotin	1
41	Alahylly (E3G2)	1
42	Jalan tulppa ,takaoikea	1
43	Jalan tulppa, etuoikea	1
44	Alahyllyn tuki	2
45	Pyörä	2
46	Vasen etujalka, jatkopala	1
47	Vasen takajalka, jatkopala	1
48	Keskimmäinen poltin (E3G2)	1
49	Keskimmäinen avoritilä (E3G2)	1
50	Oikea etujalka	1
51	Oikea takajalka	1
52	Virtausohjain	1
53	Kaasupullon tukiketju	1
54	Kaasupullon kiinnityskoukku	1
55	Logo	1



VALINNAISET LISÄVARUSTEET: RUOANLAITON LISÄVARUSTEET

Käy osoitteessa www.everdurebyheston.fi tutustumassa koko lisävarustevalikoimaamme

TAKUU JA HUOLTO

TÄRKEÄ

Takuu kattaa materiaalit ja työkustannukset. Huoltopyyntöön yhteydessä tulee ilmoittaa tuotteen nimi ja sarjanumero ja täyttää huoltolomake osoitteessa <https://service.witt.dk/service/da/Everdure/Service.aspx>. Kirjoittakaa nämä tiedot tähän käyttöohjeeseen – silloin ne ovat tarvittaessa saatavilla. Tiedot auttavat huoltoasentajaa löytämään oikeat varaosat.

Takuuaikana Everdure by Heston Blumenthal tai sen valtuuttama huolto korjaa grillin maksutta edellyttäen, että grilli toimitetaan ja noudetaan huollosta, vrt. alla olevat ehdot.

TAKUUOIKEUS

2 vuotta: Alumiiniosat, kannet, grillin runko, sivut, jalat

2 vuotta: Muoviosat

2 vuotta: Maalaus

TAKUU EI KATA:

1. Vikoja ja vauriota, jotka eivät johdu valmistus- ja materiaalivirheistä.
2. Normaalista kohtuullista kulumista (esim. arinan ja levyjen värimuutokset).
3. Tuholaisen aiheuttamia tuotevahinkoja.
4. Jos tuotteessa on käytetty muita kuin alkuperäisiä varaosia.
5. Jos tuotteen käyttöohjeen ohjeita ei ole noudatettu.
6. Jos tuotteen asennusta ei ole tehty ohjeiden mukaan.
7. Jos tuotteen on asentanut tai korjannut joku muu kuin ammattilainen.

KULJETUSVAURIOT

Kuljetusvaurio, joka todetaan tuotteen toimituksessa myyjältä asiakkaalle, on yksinomaan asiakkaan ja myyjän välinen asia. Jos asiakas on vastannut

tuotteen kuljetuksesta itse, tavarantoimittajalla ei ole mitään velvollisuuksia mahdollisten kuljetusvaurioiden suhteen. Mahdolliset kuljetusvauriot tulee ilmoittaa välittömästi tai viimeistään 24 tunnin kuluessa tavarantoimituksesta.

Muutoin asiakkaan vaatimukset hylätään.

TURHAT HUOLTOKÄYNNIT

Mikäli paikalle kutsutaan huoltoasentaja ja osoittautuu, että asiakas olisi voinut korjata itse korjata virheen, esimerkiksi noudattamalla käyttöohjeessa annettuja ohjeita tai vaihtamalla sulakkeen sulaketaulussa, on asiakkaan itse maksettava huoltokäynnin kustannukset.

OSTO YRITYSKÄYTTÖÖN

Osto yrityskäyttöön on jokainen sellainen osto, jossa laitetta ei hankita käytettäväksi yksityisessä kotitaloudessa, vaan sitä käytetään yritystoimintaan tai sitä muistuttavaan tarkoitukseen (ravintola, kahvila, ruokala jne.) tai laitetta vuokrataan tai käytetään muuten niin, että sillä on useita käyttäjiä.

Yrityskäyttöön ostetulle laitteelle ei myönnetä mitään takuuta, koska tämä laite on tarkoitettu ainoastaan tavalliseen kotitalouteen.

HUOLTO

Kun tarvitset huoltoa tai varaosia Suomessa, ole hyvä ja soita jäljempänä olevaan numeroon, sieltä sinut ohjataan lähimpään huoltoon.

On aina asiakkaan vastuulla, että tuote on huoltoteknikon käytettävissä, kun huoltokäyntiin käytetään reklamaatio-oikeutta. Takuu kattaa tuotteen siinä kunnossa, kun se oli silloin, kun asiakas sen vastaanotti. Huoltoteknikon työtä koskevat työsuojelulainsäädännön määräykset (esim. raskaista nostoista), jotka määräävät, mitä huoltoteknikko saa ja ei saa tehdä huoltokäynnin aikana

Kaikki huoltoon ja asennukseen liittyvät asiat:

SÄHKÖPOSTI: everdure.service@witt.dk

LUE LISÄÄ: www.everdurebyheston.fi

MONTERINGS-, BRUKS- OG VEDLIKEHOLDSVEILEDNING

for Everdure by Heston Blumenthal FORCE™ og FURNACE™
gassgrill på stativ

FORCE™

GASSGRILL MED

2 BRENNERE

FURNACE™

GASSGRILL MED

3 BRENNERE

Power by design

THE OUTDOOR PERFORMANCE

everdure
by heston blumenthal

everdure
by heston blumenthal

LANG: NO

INNHold

Viktige sikkerhetsanvisninger	70-71
Apparatets spesifikasjoner	72
Utendørs installasjon.....	73
Bruksanvisning.....	74-75
Tenning av grillen	76
Rengjøring og oppbevaring	76-77
Feilsøking.....	78
Montering av grill og stativ	79-83
Vedlikehold	83
Deleliste	84-86
Garanti	88

INSTRUKSJONER FOR BRUK OG VEDLIKEHOLD AV E2G2O, E2G2G, E2G2S, E2G2M, E2G2B, E3G2G, E3G2M, E3G2S, E3G2O og E3G2B GAS BARBEQUE RANGE Everdure by Heston Blumenthal utendørs gassgriller. Ta vare på disse instruksjonene, kjøpsbeviset, samt andre viktige dokumenter om dette produktet for fremtidig referanse. På grunn av kontinuerlig produktutvikling, forbeholder Everdure by Heston Blumenthal seg retten til å endre spesifikasjoner eller utseende uten ytterligere varsel. Kast emballasjen på en ansvarlig måte - må resirkuleres der det er mulig.

VIKTIGE SIKKERHETSANVISNINGER

VIKTIG: Les nøye gjennom sikkerhetsanvisningene i dette heftet før du monterer grillen og kobler den til gass.

ADVARSEL: De ulike delene kan bli svært varme ved bruk. Hold barn på avstand fra grillen.

- Denne gassgrillen er kun ment for UTENDØRS BRUK. Apparatet må **IKKE** brukes innendørs.
- For din egen sikkerhet, les gjennom alle instruksjonene før du tar i bruk dette apparatet.
- Sørg for at alle gasskoblinger er tette før du tar i bruk grillen (se prosedyre for lekkasjetesting i denne håndboken). Sjekk alltid for lekkasjer når en gassflaske skiftes eller kobles til igjens.
- Hvis ikke gassflasken er festet til kroken, må den alltid plasseres på et flatt underlag.
- Barn eller kjæledyr som ikke er under oppsyn, bør ikke være i nærheten av en grill under tilberedningen eller når den varmes opp eller kjøles ned. Barn og kjæledyr skal holdes på god avstand fra grillen, når den er i bruk. Dette apparatet må ikke brukes av barn eller personer med manglende erfaring eller begrensninger i sensorisk, fysisk eller psykisk evne.
- Utvis spesiell forsiktighet når du fjerner fettbrettet og aluminiumsbrettene for engangsbruk. Feil håndtering av varm olje og fett kan føre til alvorlig personskade. Vær forsiktig når du bytter plater og rister, sjekk at delene ikke er varme og at olje eller fett ikke drypper på brenneren. Pass på at brenneråpningene/venturirøret ikke blokkeres.
- Slå av gassventil/gassregulator og gassflasjeventilen etter bruk. Ikke la det være uforbrent gass igjen i systemet.
- La aldri brennerne stå på maks i mer enn 5 minutter, med mindre det tilberedes mat. Når du tilbereder mat med lokket nede, følg alltid instruksjonene som handler om steking i denne håndboken.
- Ikke flytt grillen under bruk. Grillen bør kun løftes av to personer og ved hjelp av sidehåndtakene. Sørg for at gassslagen ikke utsettes for unødig belastning, eller slå av gasstilførselen og fjern slangen fra gassflasken eller gasstilførselen (ikke på grillen). Pass på at fettbrettet og aluminiumsbrettet for engangsbruk er fjernet, for å få mindre

fett/oljesøl. Det anbefales å bruke varmebestandige hansker ved håndtering av varme deler. Deler som er forseglet av produsenten eller distributøren må ikke gjøres endringer på.

- Denne grillen har blitt utformet for å brukes på en bordplate eller det tilhørende stativet. Når den brukes på en bordplate, sørg for at overflaten er jevn, stor nok og sterk nok til å bære vekten av grillen, og at den tåler temperaturer på 60°C over omgivelsestemperaturen. Når den brukes på stativ, sikre at grillen står plant og at den er riktig festet til stativet (fire skruer på grillrammen).
- Brennbare materialer skal holdes på god avstand fra grillen når denne er i bruk.
- Ikke bruk grillen til noe annet enn det den er beregnet for. Enhver endring på apparatet kan utgjøre en fare. Apparatets konstruksjon skal ikke endres.
- Ved fettbrann, steng gassflasjeventilen. Fettbrettet må rengjøres og sjekkes før grillen brukes. Aluminiumsbrettet for engangsbruk må skiftes før grillen brukes. Regelmessig rengjøring vil redusere opphopning av fett og matrester som kan antenne, og som kan resultere i en fettbrann. **Fettbranner kan forebygges ved regelmessig rengjøring av fettbrettet, samt regelmessig utskifting av aluminiumsbrett.** Sørg for at aluminiumsbrettet ikke renner over. Skader som følge av fettbrann dekkes ikke av reklamasjonsretten, og den vil bli ugyldiggjort. Ikke bruk sand, kattesand eller andre fettabsorberende midler på fettbrettet eller aluminiumsbrettet.
- Apparatet er konstruert slik at varmen ikke vil påvirke stativet. Alle brennbare materialer må holdes på en avstand på minst 250 mm fra sidene og bak på grillen, og minst 1500 mm over grillristen.
- Hvis en brenner avgir en hvesende lyd når den er tent, kan det være at den brenner innvendig. Slå av brenneren, la den avkjøles, og prøv å tenne den igjen. Hold grillen beskyttet mot sterk vind. Hvis dette ikke kan unngås, må du jevnlig sjekke at brennerne er tent hvis grillen brukes når det er sterk vind.
- Ikke gjør noe service på gassanlegget på grillen - dette skal kun gjøres av autorisert personell.
- Vi anbefaler at du regelmessig vedlikeholder apparatet og holder det i god stand. Dette kan gjøres ved å følge anbefalinger for rengjøring og vedlikehold i dette heftet.
- Når du ikke bruker stativ, må gassflasken plasseres på et lavere nivå enn grillen, så langt borte som slangen tillater det, uten at slangen blir utsatt for unødig belastning, og på et trygt sted (dette for å unngå fettsprut fra tilberedningen, eller at gassflasken utilsiktet blir vippet overende). Ved bruk av stativet, heng gassflasken på kroken. Hvis dette ikke

kan gjøres (på grunn av gassflaskens utforming og størrelse), bør gassflasken plasseres ved siden av eller bak apparatet, på et trygt sted som er beskyttet mot eventuell fettsprut.

- Dette apparatet er ikke egnet for montering i fartøyer (båt, campingvogn, etc).
- Ikke bruk eller oppbevar apparatet i områder med høyt saltinnhold (marint miljø) eller områder med etsende gasser eller væsker (f.eks. ved innendørs basseng), da disse kjemikaliene kan føre til at apparatets materialer forringes (og således oppheve garantien). Regelmessig rengjøring og tildekking med et grilltrekk fra Everdure by Heston Blumenthal når apparatet ikke er i bruk, kan bidra til å redusere dette.
- Apparatet skal være utstyrt med en godkjent slange som er sertifisert i henhold til gjeldende EN-standarder, og med en maks lengde på 1,5 m. For Finland skal slangelengden ikke overstige 1,2 m. Gassregulatoren skal være sertifisert i henhold til EN16129 (strømningshastighet maks. 150 kg/time). Disse skal kobles i henhold til lokale forskrifter. Sett på slangeklemmene og og stram til. Sørg for at ikke slangen vrir seg eller ligger i knekk under installasjon og bruk. Skift slangen hvis du oppdager lekkasje/blokkering. Det anbefales at slangen skiftes ut hvert 3. år.



IKKE TA I BRUK DETTE APPARATET FØR DU HAR LEST GJENNOM DETTE HEFTET

IKKE LEGG GJENSTANDER PÅ ELLER MOT DETTE APPARATET

IKKE OPPBEVARE KJEMIKALIER, BRENNBARE MATERIALER, ELLER SPRAYBOKSER I NÆRHETEN AV DETTE APPARATET

IKKE BRUK DETTE APPARATET INNENDØRS

IKKE DEKK TIL DETTE APPARATET. MINIMUM KLARING TIL OMKRINGLIGGENDE ELEMENTER FOR DETTE APPARATET ER 1500 MM OVER GRILLRISTEN OG 250 MM PÅ SIDENE.

IKKE ANTENN MED LOKKET NEDE

APPARATETS SPESIFIKASJONER

MERK: DIAMETEREN PÅ DYSEN ER STEMPLET PÅ EN AV SEKSKANTHODENE (F.EKS. "165" FOR Ø1,65MM DYSE).

MODELL BETEGNELSE	SALGSLAND	VARMEEFFEKT	BRENNERE	DYSEDIAMETER	GASSKATEGORI	GASSTYPE
FORCE™	BE, FR, IT, LU, IE, GB, GR, PT, ES , CY, CZ, LT, SK, CH, SI ,LV	2x3.9kW	2	φ0.95mm	I 3+(28~30/37)	Butan ved (28-30) mbar / propan ved 37 mbar
	LU, NL, DK, FI, SE, CY, CZ, EE, LT, MT, SK, SI, BG, IS, NO, TR, HR, RO, IT, HU, LV	2x3.9kW	2	φ0.95mm	I 3B/P(30)	Butan, propan og blandinger ved 30 mbar
	AT, DE, CH, LU, SK	2x3.9kW	2	φ0.83mm	I 3B/P(50)	Butan, propan og blandinger ved 50 mbar
FURNACE™	BE, FR, IT, LU, IE, GB, GR, PT, ES , CY, CZ, LT, SK, CH, SI ,LV	3x3.2kW	3	φ0.85mm	I 3+(28~30/37)	Butan ved (28-30) mbar / propan ved 37 mbar
	LU, NL, DK, FI, SE, CY, CZ, EE, LT, MT, SK, SI, BG, IS, NO, TR, HR, RO, IT, HU, LV	3x3.2kW	3	φ0.85mm	I 3B/P(30)	Butan, propan og blandinger ved 30 mbar
	AT, DE, CH, LU, SK	3x3.2kW	3	φ0.74mm	I 3B/P(50)	Butan, propan og blandinger ved 50 mbar

PINKODE: 2531CS-0109

	FORCE™			FURNACE™		
Kun grill	LENGDE (mm)	BREDDE (mm)	HØYDE (mm)	LENGDE (mm)	BREDDE (mm)	HØYDE (mm)
	1170	515	410	1310	515	410
Grill og stativ	1170	750	1170	1310	750	1170

Luft slippes inn på undersiden av forbrenningskammeret (to 35 mm x 20 mm klaring mellom fettbrettet og kammeret gjennom et ovalt hull på 75 mm x 135 mm). Avgassene slippes ut rundt kanten av platene (6 mm klaring) og gjennom en 275 mm x 40 mm åpning på baksiden av lokket. Når du bruker en åpen grill, strømmer også luften gjennom sporene på grillen. Lufting for brenner 17,8 mm x 5 mm på begge sider.

GASSKOBLINGER

KRAV TIL BUTAN OG PROPANGASS

Sjekk typeskiltet med gasstype og spesifikasjoner på undersiden av det høyre sidebrettet.

TILKOBLING AV GASSFLASKE

- For å oppnå optimal ytelse fra grillen, må det brukes en godkjent gassflaske/beholder. Den medfølgende slangen og/eller gasskoblingen må først kobles til innløpet på grillen.
- Fest ikke gassflasken til grillen før grillen er sikret i stativet eller på et stabilt underlag.
- Før du kobler til gasstilførselen, pass på at alle regulatorene er i av-stilling. Press gasskoblingen ned på gassflaskeventilen til du hører et klikk. Når den er koblet til, sett hendelen på gasskoblingen til åpen posisjon for å åpne for gasstilførselen. Sjekk at alle skjøtepunkter sitter godt sammen.
- For å ta av regulatoren fra gassflasken, dreies regulatorens håndtak til av-stilling (Off) og trykkes innover, så regulatoren kan løftes av gassflasken.

MERK: Det skal til enhver tid kun stå én gassflaske på stativet.

LEKKASJETESTING

- Sørg for at betjeningshåndtak er **Av (Off)** og skru gassflaskeventilen **På (On)**.
- Sjekk om det lekker i skjøtepunktene ved å påføre løsning av flytende rengjøringsmiddel og vann med et blandingsforhold på 1:1. Hvis noe lekker, vil du se bobler (eller høre en hvesende lyd), skru av gassen i dette tilfellet! Tilstrømming av koblingene vil vanligvis stoppe en lekkasje i et skjøtepunkt. Du må også sjekke gasslangens og tilkoblingen på gassflasken. Hvis en lekkasje ikke kan utbedres, må du ikke bruke grillen. Fyll ut og send inn serviceskjema på everdure.service@witt.dk



IKKE BRUK ÅPEN FLAMME FOR Å FINNE GASSLEKKASJER. DERSOM EN LEKKASJE VEDVARER, TA KONTAKT MED EN AUTORISERT GASSMONTØR.

GASSFLASKE

For å feste en gassflaske til kroken, må høyden på gassflasken ikke overstige 500 mm, og diameteren ikke overstige 320 mm. Ved bruk av større gassflaske, må den plasseres på et flatt underlag, der flaskeventilen er lett tilgjengelig, og slik at slangen ikke kommer i kontakt med skarpe kanter eller varme overflater, og slik at slangen ikke blir utsatt for unødig belastning. Sjekk at gassflasken og slangen ikke kommer i kontakt med apparatet eller varme flater og skarpe gjenstander. Bytt alltid gassflaske på god avstand fra antenneskilder.

Utendørs installasjon

Dette apparatet skal kun brukes hevet over bakken utendørs med naturlig ventilasjon, ikke på steder med stillestående luft, slik at eventuelle gasslekkasjer og forbrenningsprodukter raskt kan spres med vinden.

Apparatet må ikke brukes innendørs. Ikke bruk grillen i garasjer, på verandaer, i skur eller andre lukkede områder. Grillen er ikke laget for installasjon eller bruk i fritidsfartøyer (f.eks. båter, campingbiler), og bør ikke plasseres i nærheten av eller under flater som kan ta fyr eller som er følsomme for varme. Ikke blokker/hindre luftstrømmen og forbrenningen rundt grillhuset ved bruk.

BRUKSANVISNING

GENERELLE INSTRUKSJONER

For optimal utnyttelse og drift, skal grillen brukes på et relativt avskjermet sted utendørs. Prøv å holde grillen skjermet fra sterk vind, da dette drastisk vil påvirke ytelsen ved matlaging. Hvis dette ikke kan unngås, plasser grillen slik at den står parallelt med vindretningen på langsiden. La grillen stå plant. Sjekk jevnlig at brenneren forblir tent når grillen brukes i sterke vindforhold (se gjennom hullet på venstre side av rammen eller gjennom åpningene i grillristen). Sørg for at minsteavstander mellom grillen og eventuelle vegger eller brennbare overflater overholdes, og at underlaget tåler varmen fra grillen når den brukes uten stativ. Når du bruker stativ, pass på at grillen står låst i posisjon ved hjelp av låsene på hjulene, og at gasslangen ikke berører varme overflater.

GASSTYPE OG FORBRUK

Grillen er laget for bruk med propangass og/eller butangass. Gassvolum, trykk og dysestørrelser er oppgitt på typeskiltet på undersiden av høyre sidebrett.

BETJENINGSHÅNDTAK

Gassregulatorene på grillens høyre sidebrett låses i posisjonene **Av (Off)** og **Høy (High)**. Ved å trykke inn og vri gassregulatoren mot klokken, vil gasstrømmen gradvis økes til **Høy (High)** posisjon er nådd. Hvis du fortsetter å dreie gassregulatoren i samme retning, vil gasstrømmen reduseres til det når posisjonen **Lav (Low)**. For å slå av gasstrømmen, må gassregulatoren dreies med klokken fra **Lav (Low)**, trykkes inn ved **Høy (High)**, og vris til posisjon **Av (Off)** er nådd.

RISTER I STØPEJERN

FORCE™ med to brennere og FURNACE™ med tre brennere leveres med åpne grillrister. En flat, solid plate er tilgjengelig som tilbehør for FURNACE™ for bruk på høyre side (dette er den anbefalte standard grill- og platekonfigurasjonen som vil redusere varmen som strømmer over regulatorene). FURNACE™ med tre brennere kan brukes med en teppanyakiplate i midten, eller en flat, solid plate for bruk på høyre side. Vær oppmerksom

på at rister og plater som brukes på én modell, ikke kan brukes på den andre modellen, og maksimalt én grillplate bør byttes ut med en annen (bare én plate bør brukes). Åpne griller har en fast støpejernslist innebygd i bunnen av grillen, for å beskytte brenneren mot olje eller mat som drypper ned. Ristene legges på støttene som er innebygget på innsiden av grillen. Når de ligger korrekt plassert, bør det være en klaring på 5-6 mm mellom grillristene og den indre kanten av grillrammen. Overskytende fett eller væske fra maten vil renne inn i rammen og dryppe gjennom grillen og ned på fettbrettet og aluminiumsbrettet under rammen. Hvis brenneråpningene blir blokkert, må grillen få avkjøles og brenneren må rengjøres med en stålborste. For en liste over tilbehør, gå inn på vår nettside: www.everdurebyheston.no.

MERK: Emaljen kan bli skadet av metallredskaper og må derfor ikke brukes til matlaging. Skade på plater og rister på grunn av bruk av metallgjenstander eller skarpe gjenstander dekkes ikke av reklamasjonsretten. Det anbefales å bruke utstyr laget av silikon, ettersom disse er både hygienisk i bruk og tåler høye temperaturer.

FETTBRETT

Før bruk må du sjekke at fettbrettet er rent og at et aluminiumsbrett for engangsbruk er satt ned i den. Bruk kun aluminiumsbrett som er beregnet for grillen, ettersom brett av feil størrelse eller høyde kan føre til problemer med luften til grillen, eller fett- og oljesøl. Sørg for at fettbrettet er riktig satt inn under grillen før du tar den i bruk.

DET MÅ UNDER INGEN OMSTENDIGHETER BRUKES SAND, KATTESAND ELLER FETTABSORBERENDE MIDLER FOR FETT PÅ FETTBRETTET ELLER ALUMINIUMSBRETTET.

GRILLE MED LOKKET NEDE

Steking eller bruk av grillen med lokket nede, bør ikke gjøres med alle betjeningshåndtakene satt til høy posisjon. Dette er ytterst viktig, ettersom det kan oppstå overoppheting og maten kan bli ødelagt dersom disse instruksjonene ikke følges. Steking gjøres best ved hjelp av et hevet stekestativ, slik som Everdure ved Heston Blumenthal-stekeristen HBROASTR, som gjør at den oppvarmede luften sirkulerer rundt kjøttet, og fett drypper bort fra kjøttet.

Monter alltid grillen komplett med alt utstyret som beskrevet i monteringsanvisningene. Skjær et stykke folie som er litt større enn stekestativet, og legg det i midten på grillristen. Skjær ut noen riller i folien slik at overflødig væske og fett kan renne gjennom grillristen. Sett stekestativet rett over folien. Varm opp grillen i 5 minutter med lokket nede og betjeningshåndtakene i posisjon høy (high) (for FURNACE™-griller, **la den midterste regulatoren være av**).

Når grillen har nådd ca~180 °C, åpne lokket, legg maten på stekestativet, lukk lokket og sett betjeningshåndtakene til lav (disse kan justeres under tilberedningen for å holde temperaturen stabil, værforhold som temperatur og vindhastighet vil påvirke grillens effektivitet). Følg med på maten med jevne mellomrom frem til den er ferdigstekt.

JUSTERE SIDEBRETTET

Det venstre sidebrettet kan foldes ned for enklere lagring av grillen (høyre sidebrett med gassregulatorene er fast og kan ikke justeres). Med grillen avslått og avkjølt, sett din venstre fot foran grillens venstre ben bak for å stabilisere grillen, og trekk sidebrettet frem for å frigjøre låsemekanismen. Med sidebrettet helt ute, dreie det nedover og slipp det. Se figurene i trinn 9 i punktet for montering av grill og stativ.

ETTER TILBEREDNING

1. Når du er ferdig med å lage mat, sørg for at betjeningshåndtakene er slått **AV (Off)**.

2. STENG GASSVENTILEN PÅ GASSFLASKEN ETTER BRUK.

3. Etter tilberedningen og mens grillen fortsatt er varm, fjern matrester fra grillristen med en plastskrape.

4. Overflødig fett og kjøttrester kan skrapes av innsiden av grillen ved å ta av grillristen for å komme til.

ADVARSEL: Enkelte flater kan fortsatt være varme - bruk vernehansker.

5. Rengjør fettbrettet og skift aluminiumsbrettet før eller etter hver bruk av apparatet.

6. Når grillen er avkjølt, lukk lokket og tørk av fettrester fra stativet med en ren klut

TENNING AV GRILLEN



LES GJENNOM ALLE INSTRUKSJONENE FØR DU TENNER GRILLEN

ÅPNE LOKKET FØR TENNING

SØRG FOR AT BETJENINGSHÅNDTAKENE ER I AV-POSISJON (OFF)

SJEKK AT GRILLRISTEN OG PLATEN STÅR I RIKTIG POSISJON

TENN GRILLEN MED DEN INNEBYGDE TENNEREN I GASSREGULATORENE

FORCE™ og FURNACE™-grillene har et roterende tennsystem innebygd i gassventilene, som brukes ved hjelp av betjeningshåndtakene på høyre sidebrett. For å tenne en brenner, trykk inn ønsket håndtak og dreii den sakte mot klokken. Dette slipper gassen inn i brenneren. Når håndtaket når tennsymbolet, vil en gnist antenne gassen i brenneren. Håndtaket kan deretter dreies hele veien til "Høy" (High) og slippes, eller justeres til ønsket temperatur.

Hvis brenneren ikke tennes, sett håndtaket tilbake til "Av"-posisjon (Off) og prøv igjen. Hvis den fortsatt ikke tenner etter 5 forsøk, vent 5 minutter og prøv igjen.

Det er 2 betjeningshåndtak på FORCE™-griller og 3 betjeningshåndtak på FURNACE™-griller (én for hver brenner under en plate eller grillrist). Betjeningshåndtaket bak styrer brenneren til høyre. Betjeningshåndtaket foran styrer brenneren til venstre. Betjeningshåndtaket i midten (kun FURNACE™-grill) styrer brenneren i midten.

RENGJØRING OG LAGRING

UTVENDIG RENGJØRING

Før du rengjør grillen utvendig, må du sørge for at den er avkjølt og trygt kan berøres. Lakkerte overflater og plastoverflater kan rengjøres med et mildt rengjøringsmiddel og en ren klut (ikke bruk skuremidler eller sterke rengjøringsmidler). **Det kan være lurt å teste rengjøringsmiddelet på en liten del av apparatet først. BRUK ALDRI** tynner eller lignende løsemidler til å rengjøre, og **HELL ALDRI** kaldt vann på varme overflater. Tørk overflatene etterpå.

INNVENDIG RENGJØRING

Før du rengjør grillen og delene innvendig, må du sørge for at den er avkjølt og trygt kan berøres. Innsiden av lokket kan rengjøres med litt vann, et mildt rengjøringsmiddel og en svamp eller mild skuresvamp. Non-stick-overflaten på rister og plater bør rengjøres forsiktig for ikke å ripe opp overflaten, og helst når overflaten fortsatt er varm. For vanskelige områder, bruk litt natron på en fuktig svamp. Ikke bruk skurende eller etsende midler.

ADVARSEL! Overflater kan være varme. Bruk varmebestandige hansker.

OPPBEVARING

Når apparatet ikke er i bruk må flaskeventilen stenges, og grill, stativ og gassflaske må lagres utendørs på et godt ventilert sted. Apparatet (men ikke gassflasken) kan imidlertid oppbevares innendørs. Sørg for at grillen er ren før den settes til lagring.



OPPBEVAR GASSFLASKEN PÅ ET GODT VENTILERT STED, UTENFOR BARNES REKKEVIDDE

Når gassflasken er koblet fra, sett hetten på ventilutløpet. For langvarig lagring anbefales det at den primære luftporten på brennerne dekkes til, for å hindre at insekter eller skadedyr trenger inn. Edderkopper og små insekter kan lage spindelvev eller reir i brennerskinnene/-rørene, noe som kan føre til blokkering i gass- og luftstrømmen, og som videre kan resultere i at det begynner å brenne i og rundt brennerskinnene/-rørene. Denne type antenning kalles flammertilbakeslag, og kan forårsake alvorlig skade på grillen og gjøre den ustabil å bruke. For å unngå dette, sjekk og rengjør brennerne regelmessig. Bruk et grilltrekk for Everdure Heston Blumenthal FORCE™ eller FURNACE™ for ekstra beskyttelse, og for å redusere denne risikoen.

FEILSØKING

Brenneren vil ikke antenne ved bruk av tenneren:

Gassflaskeventilen er ikke åpen	Åpne gassflaskeventilen
Gassflasken er tom	Bytt ut med en ny gassflaske.
Tenneren avgir ikke gnist	Fjern grillrist/plate og sjekk tennmekanismen visuelt om den avgir gnist. Sjekk om kablene til tennpunktet, eller fra ventilen til grillrammen, er skadet eller frakoblet. Sjekk også at tenneren står i riktig stilling. Hvis det ikke er noen gnist, kontakt kundeservice.
Dysen er blokkert	Rengjør dysen med en tannbørste. Ikke bor ut eller bruk streng. Ikke ta av dysen. Ta kontakt med kundeservice.

Flammen fra brenneren er ujevn:

Brenneren er blokkert	Steng gassen. Fjern grillrist og –plate og sjekk brenneren for blokkering.
Det brenner på innsiden av brenneren (hvesende lyd)	Slå av brenneren, la den avkjøles og tenn på nytt i henhold til instruksjonene.
Gasskoblingen er defekt	Fyll ut og send inn serviceskjema på everdure.service@witt.dk .
Dysen er delvis blokkert	Rengjør dysen med en tannbørste. Ikke bor ut eller bruk streng. Ikke ta av dysen. Fyll ut og send inn serviceskjema på everdure.service@witt.dk

Det lekker gass fra koblingspunkter:

Koblingene er løse	Stram til løse koblinger (ikke for hardt) og lekkasjetest under trykk med såpevann (side 71)
Slangen er forringet	Fyll ut og send inn serviceskjema på everdure.service@witt.dk .
Gassventilen er defekt	Fyll ut og send inn serviceskjema på everdure.service@witt.dk .
Gjøngene er skadet	Fyll ut og send inn serviceskjema på everdure.service@witt.dk .

MONTERING AV GRILL OG STATIV

Grillen og lokket kommer ferdigmontert. Ved montering må stativet settes sammen først (merk: av transportmessige årsaker er grillen festet til toppen av stativet, og må tas av før du begynner å montere stativet). Grillen settes tilbake i stativet etter at den har blitt montert og festet igjen (den kan tas av for bruk på annen hevet overflate). Det kreves en middels stor stjerneskrutrekker for montering.

Åpne esken på toppen og ta ut delene. Fjern all emballasje (spesielt se om det ligger deler på innsiden av grillrammen), og plasser alle delene på en ren overflate. Sjekk for eventuelle skader eller manglende deler (ved manglende eller skadet deler, fyll ut og send inn serviceskjema på everdure.service@witt.dk).

MEDFØLGENDE DELER FOR FORCE™ OG FURNACE™

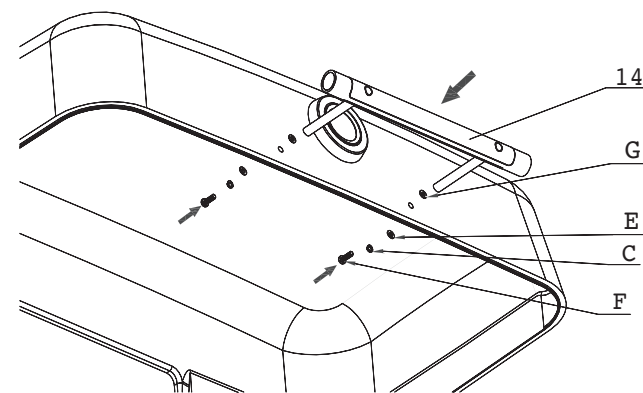
01/ Lokk, grillramme og 01B stativtopp x 1 stk	02/ Venstre ben foran x 1 stk	03/ Venstre ben bak x 1 stk	04/ Høyre ben foran x 1 stk	05/ Høyre ben bak x 1 stk	06/ Bunnhullestøtte x 2 stk	07/ Bunnhulle x 1 stk	08/ Grillrist i støpejern x 2 stk. (kun FORCE-modellen)
09/ Midtre grillrist i støpejern (kun FURNACE-modellen) x 1 stk	10/ Grillrist i støpejern (kun FURNACE-modellen) x 2 stk	11/ Fettbrett x 1 stk	12/ Gassflaskekrok x 1 stk	13/ Kjetting for støtte av gassflaske x1 stk	14/ Håndtak på lokk x 1 stk	15/ Left Hand Servery x 1Pc	A/ Bolt M6x12 x 15 stk
B/ Bolt M5 x 12 x 4 stk	C/ Fjærskive Ø5 x 6 stk	D/ Fjærskive Ø6 x 5 stk	E/ Flat skive Ø6 x 10 stk	F/ Bolt M5 x 30 x 2 stk	G/ Glasfibervaskemaskine Ø5 x 2 stk	H/ Mutter M6 x 1 stk	I / Bolt M6 x 85 x 2Pcs
J / Hinge Spring x 2Pcs							

EMBALLASJE

Fjern alle innvendige pappstykker og emballasje fra grillrammen/lokket. Fjern grillen fra emballasje, og ta apparatet ut av emballasjen før montering. Kast emballasjen i henhold til lokale bestemmelser. Hold emballasjen utenfor barns rekkevidde.

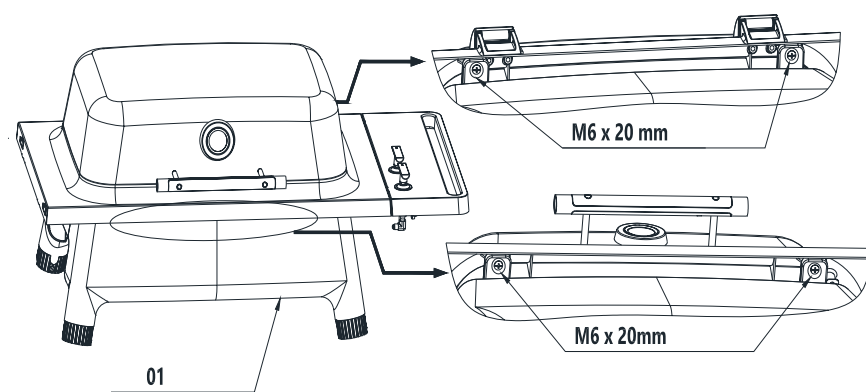
TRINN 01

/Åpne lokket og fest håndtaket (14) på lokket med to M5x30 mm skruer (F), to Ø5 mm fjærskiver (C) to Ø6mm flate skiver (E) og to Ø5 mm glasfibervaskemaskine (G). Stram til.



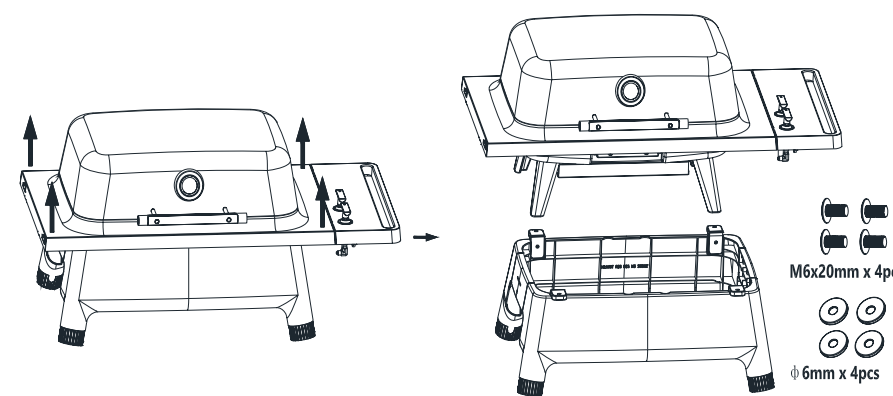
TRINN 02

/Lokket og grillrammen er levert boltet til toppen av stativet med fire M6x20mm skruer og fire Ø6mm fjærskiver (to foran og to bak). Før du begynner å sette sammen stativet, må toppen tas av.



Vipp hele sammenstillingen litt bakover og skru ut skruene M6x20 mm, og gjør deretter det samme i front. Husk å støtte delene slik at de ikke faller ned. Ta vare på alle festeanordningene til senere bruk. Klistremerkene i front og bak angir hvor skruene skal være.

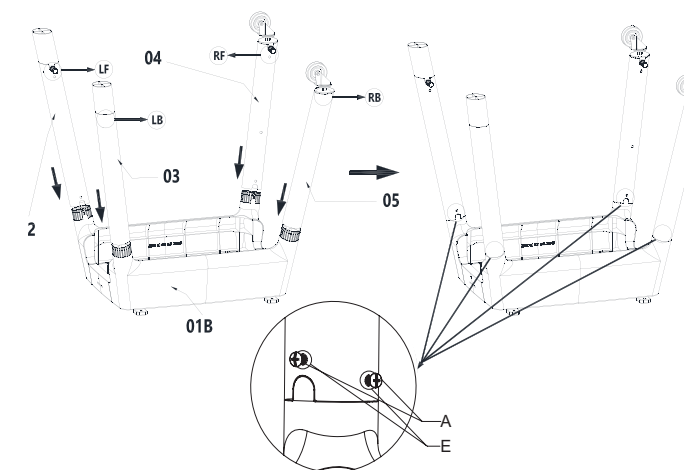
Fjern lokket og grillrammen fra stativtoppen, og sett dem på gulvet.



TRINN 03

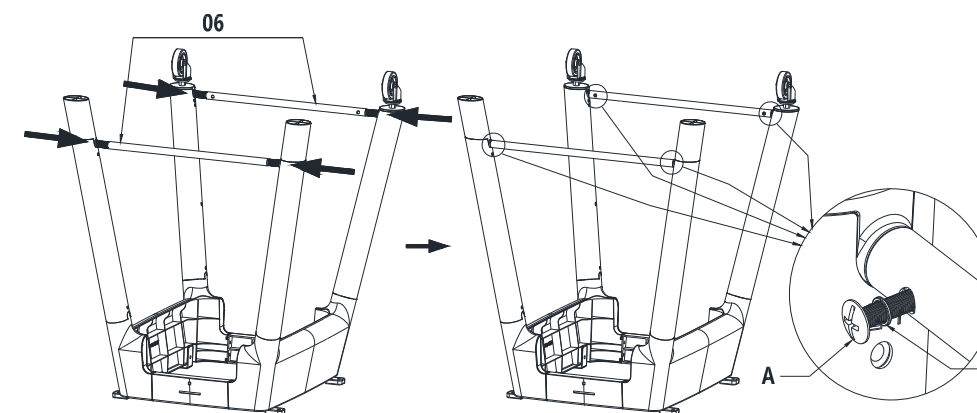
/Ta stativtoppen (01B) og legg den opp ned (bena opp) på en ren overflate (merk: det er ingen forskjell på foran og bak). Ta det høyre forbenet (04 med et skrueshull i foten) og skyv det over den høyre hjørnestussen foran. Fest det med en M6x12 mm skrue (A) og flat skive (E), men ikke stram til ennå. Ta det høyre bakbenet (05 med et skrueshull i foten) og skyv det over den høyre hjørnestussen bak. Fest det med en M6x12 mm skrue (A) og flat skive (E), men ikke stram til ennå.

Ta det venstre forbenet (02) og skyv det over den venstre benstussen foran. Fest med M6x12 mm skrue (A) og flat skive (E), men ikke stram til ennå. Ta det venstre bakbenet (03) og skyv det over venstre benstuss bak. Fest det med en M6x12mm skrue (A) og flat skive (E), men ikke stram til ennå.



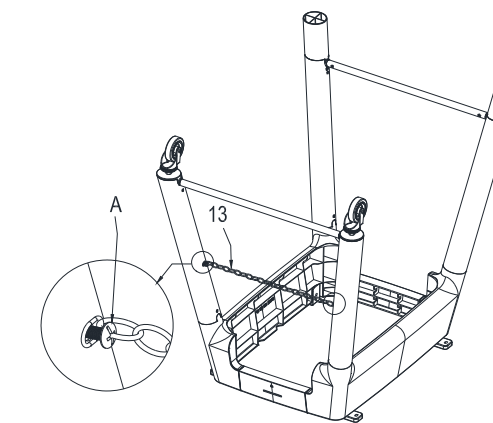
TRINN 04

/Ta de to bunnhyllestøttene (06) og monter dem på de sylindriske tappene på innsiden av hver fot. Roter hver enkelt av dem slik at de ytterste skrueshullene er vendt innover og de innerste skrueshullene er vendt mot stativtoppen (trekk dem eventuelt ut og monter motsatt vei). Fest med åtte M6x12 mm skruer (A) og flat skive (E). Når alt er satt sammen, stram til alle de fire skruene samt skruene fra trinn 03.



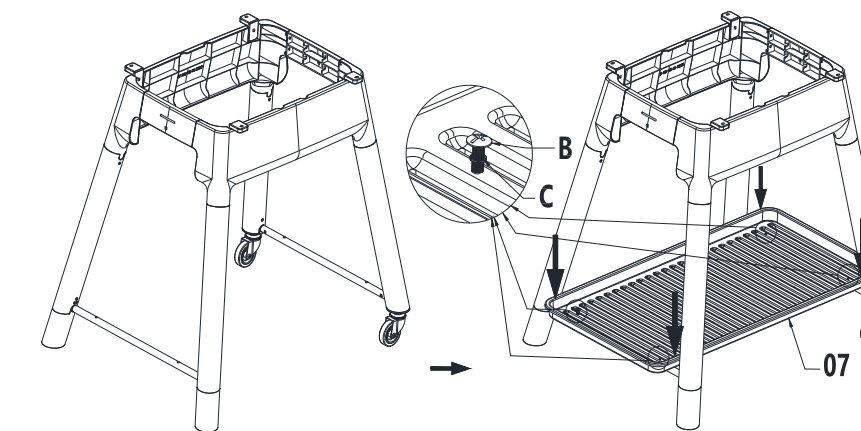
TRINN 05

/Det er to gjengede hull på innsiden av de høyre bena. Ta kjettingen (13) og fest den til de to bena med to M6x12 mm skruer (A). Stram godt til.



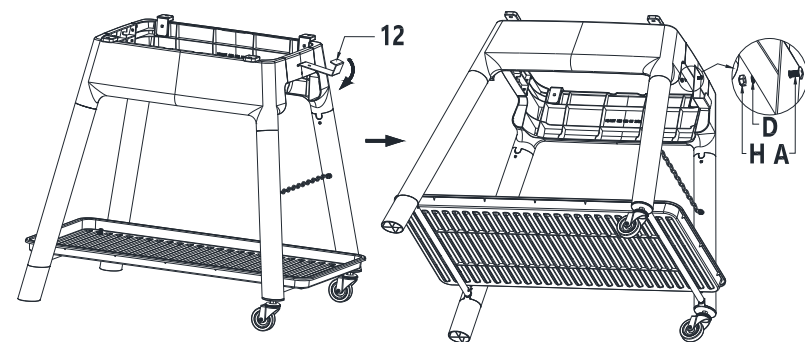
TRINN 06

/Snu stativet rundt, så det står på bena og sjekk at alle bena er stabile. Ta bunnhyllen (07) og plasser den på de to nederste hyllestøttene. Juster de fire hullene i bunnhyllen til de gjengede hullene i de nedre støttene og fest med fire M5x12 mm skruer (B) og fire fjærskiver (C). Stram godt til.



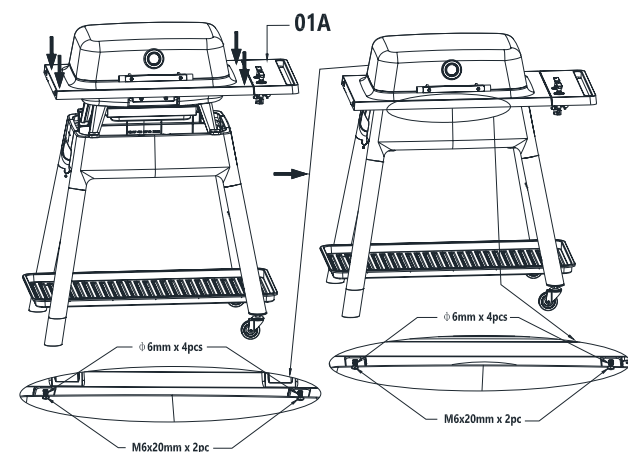
TRINN 07

/Skyv den flate kanten på gassflaskekroken (12) inn i sporet på toppen på stativet (over høyre ben og hjul) opp til knekken, og roter ned til kroken ligger flatt mot stativets side. Fest med en M6x12 mm skrue (A), M6 låsemutter (H) og fjærskive (D). Stativet er nå ferdig montert.



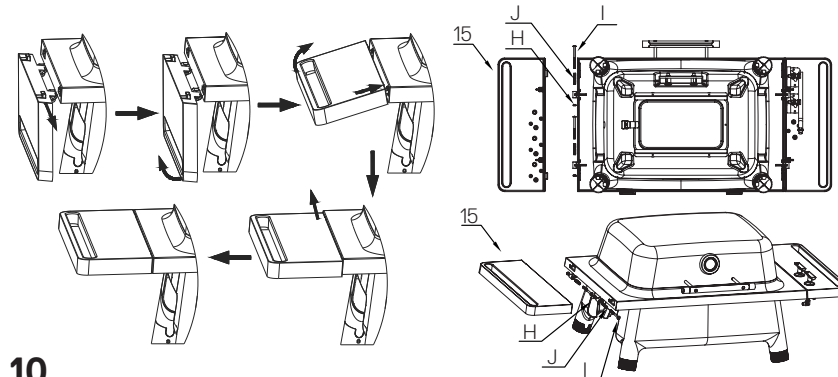
TRINN 08

/Plasser stativet med svinghjulene til høyre. Det bør to personer til for å løfte grillen med lokk (01A) opp etter sideplatene. Plasser den på stativet (fremovervendt, hjul til høyre). Fest grillen til stativtoppen med fire M6x20 mm skruer og M6 fjærskiver som ble fjernet i trinn 1 - to foran og to bak. Stram godt til.



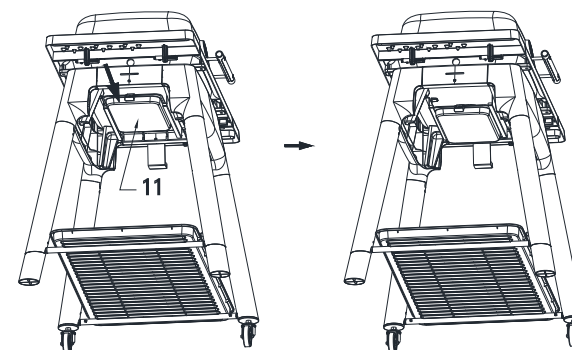
TRINN 09

/For å feste det venstre sidebordet (15) til grillen (01B): Understøtt det venstre sidebordet og juster plasseringstappene til hullene. Trekk det venstre sidebordet bakover (ca. 1 cm). Monter fjæren (J) på M6 x 85 mm-skruen (I) og fest den med M6 mutter (H).



TRINN 10

/Sett fettbrettet (11) med aluminiumsbrettet på brakettene i bunnen av grillen. Pass på at fettbrettet står riktig plassert.



TRINN 11

/Sett grillristene på grillen som vist i figurene. Hver grillrist bør ha en klaring på 5-6 mm rundt hver kant. Hver av grillristene vil gå ned i et spor på en platestøtte.

VEDLIKEHOLD

Det anbefales å utføre følgende vedlikehold ved begynnelsen av hver grillsesong:

BRENNER

- Børst av brennere utvendig med en stiv børste for å fjerne smuss. Sjekk at alle portene er åpne.

GASSTILFØRSEL

- Sjekk gasstilførselsslengen for skader, og skift ut etter behov.
- Test gasskretsen for lekkasjer. Spenne etter alle samlinger Fyll ut og send inn serviceskjema på everdure.service@witt.dk. Grillen skal ikke brukes hvis gasstilførselen ikke er tett.

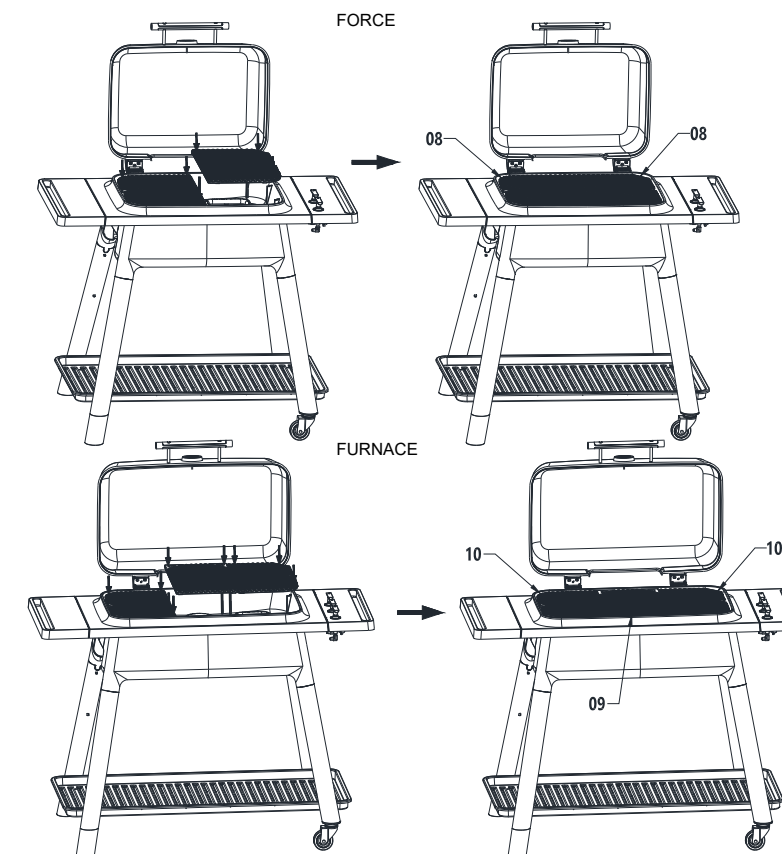
GRILL OG LOKK

- Tørk av de utvendige flatene på grillen og lokket med en ren klut. Lokket kan få tilbake glansen igjen ved bruk av polermiddel for bil.

STATIV

- Sjekk at alle festene er stramme, og stram til etter behov for stabilitet.
- Tørk av grillstativet med en ren klut. Påfør litt olje eller fett på alle bevegelige deler og skruer.

Hvis grillen er montert på stativet, sjekk skruene som holder grillen på plass, og sjekk at de er godt strammet til. Grillen kan beskyttes mot slitasje ved å dekke den til med et grilltrekk som beskytter den mot vær og vind når den ikke er i bruk. VIKTIG: Beskytt de rustfrie overflatene med en syrefri olje flere ganger i året, for å minimere rusting. Merk, at rusting og flekker på grillens overflater ikke dekkes av reklamasjonsretten.



TRINN 12

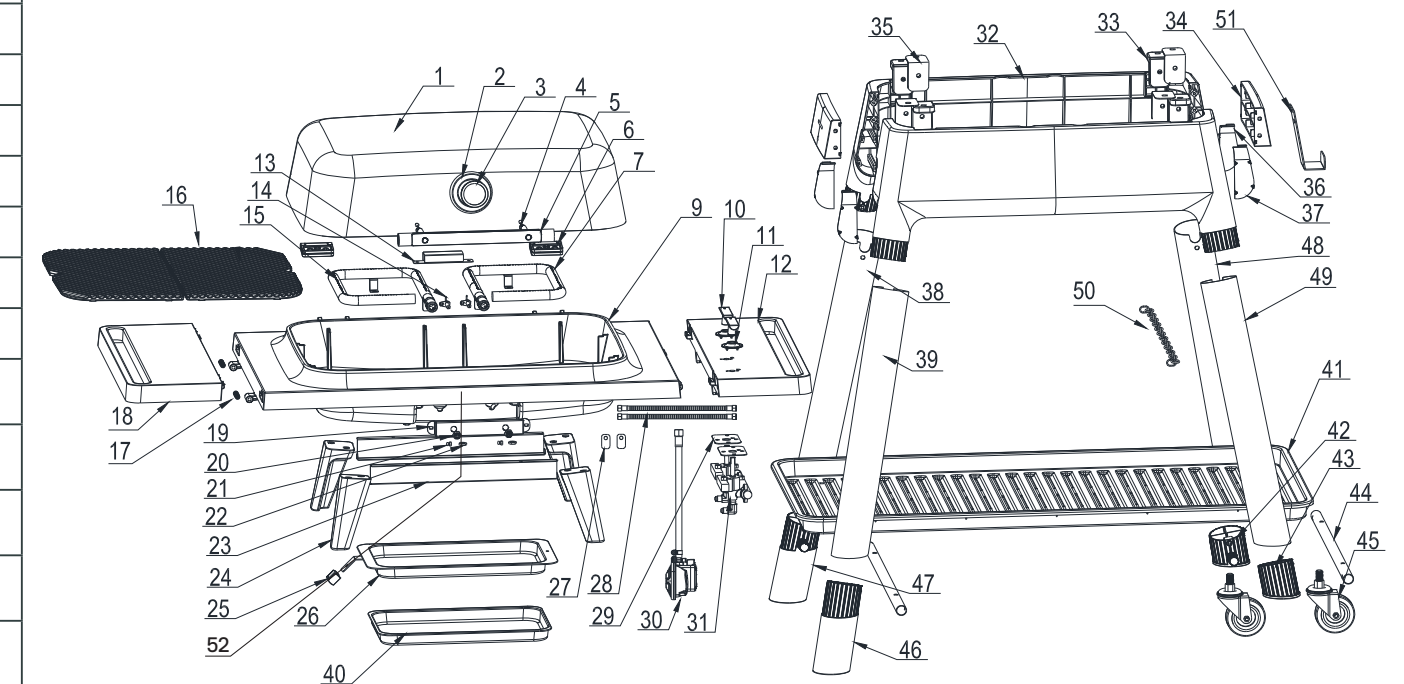
/Koble til en godkjent slange og/eller regulator til innløpet (hvis ikke allerede er koblet til). Hekt gassflasken på kroken (12) og la den lene mot kjettingen. Koble regulatoren til gassflasken og utfør lekkasjetest (i henhold til instruksjoner for tilkobling av gass) før bruk. Sjekk at alle slangekoblinger er stramme, og at alle betjeningshåndtak er slått av før du åpner gasstilførselen og utfører lekkasjetesting.

DELELISTE: FORCE™-GRILLER

	DELENAVN	ANT.
1	Lokk E2G2 (Mint)	1
	Lokk E2G2 (Stone)	1
	Lokk E2G2 (Graphite)	1
	Lokk E2G2 (Black)	1
	Lokk E2G2 (Orange)	1
2	Temperaturmålerinnfatning	1
3	Temperaturmåler	1
4	Avstandsstykke for håndtak på lokk	2
5	Håndtak på lokk	1
6	Hengsler	2
7	Høyre brenner (E2G2)	1
8	Hardwaresett (ikke vist)	1
9	Grillramme (E2G2)	1
10	Betjeningshåndtak	2
11	Innfatning til betjeningshåndtak	2
12	Høyre sidebrett (E2G2)	1
13	Gasstenerboks (E2G2)	1
14	Elektrode (E2G2)	2
15	Venstre brenner (E2G2)	1
16	Åpen rist (E2G2)	2
17	Sidebrett fjær	2
18	Venstre sidebrett	1

19	Holder til gassdyse (E2G2)	1
20	Avskjerming til dysehus	2
21	Dyse (E2G2)	2
22	Mutter til dysehusavskjerming	2
23	Fettbrettholder (E2G2)	2
24	Grillrammeføtter	4
25	Deksel for fettbrett håndtak	1
26	Fettbrett	1
27	Holder til gass-slange	2
28	Gass-slange (E2G2)	2
29	Ventilstøtte	2
30	Slange- og regulatorsamling	1
31	Gassventil og manifoldsamling (E2G2)	1
32	Stativtopp front-/bakpanel (E2G2)	2
33	Avstandsstykke til stativtopp	4
34	Sidepanel på stativtopp	2
35	Avstandsstykke	4
36	Stativtopp BH/FV lokk	2
37	Stativtopp BV/FV lokk	2
38	Ben FV	1
39	Ben BV	1
40	Aluminiumsbrett for engangsbruk	1
41	Bunnhulle (E2G2)	1
42	Benhette BH	1

43	Benhette FH	1
44	Bunnhullestøtte	2
45	Hjul	2
46	Fot FV	1
47	Fot BV	1
48	Ben FH	1
49	Ben BH	1
50	Kjetting for støtte av gassflaske	1
51	Gassflaskekrok	1
52	Logo	1

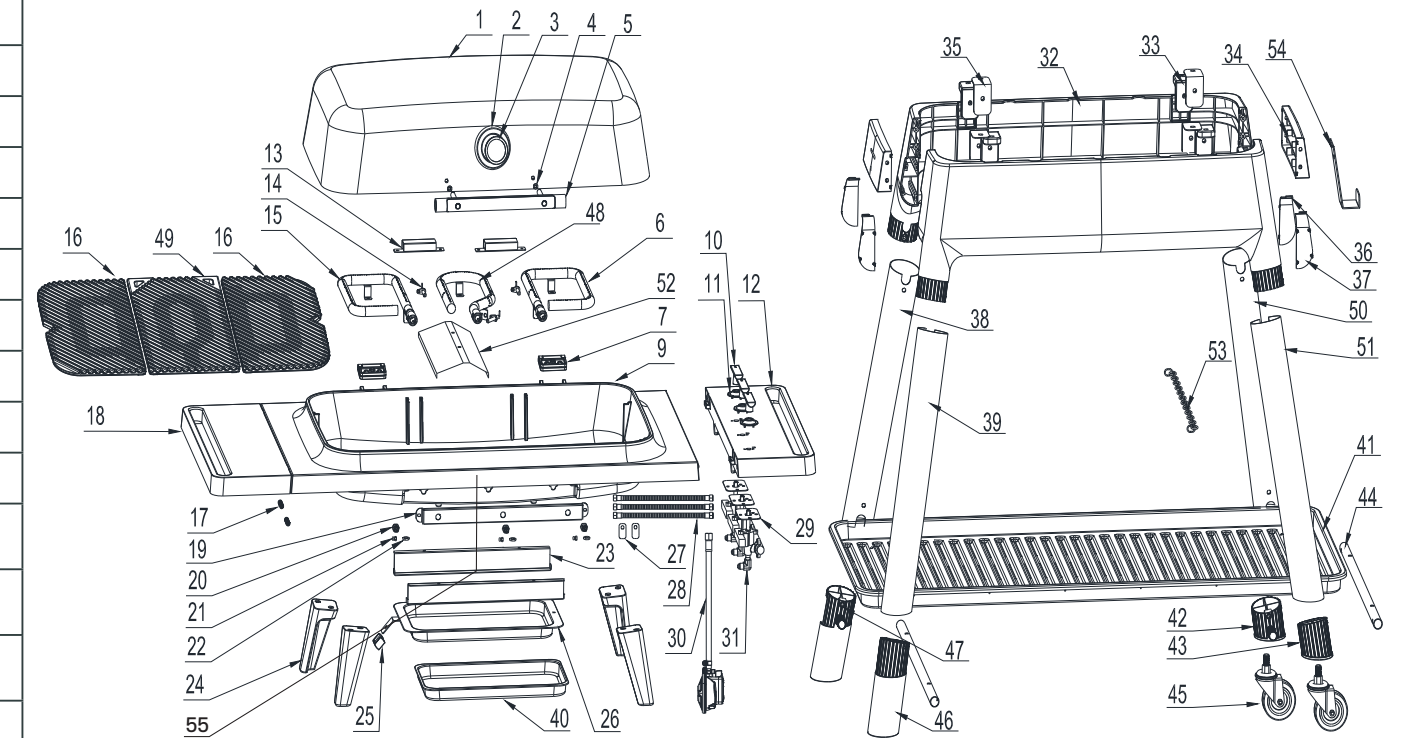


DELELISTE: FURNACE™-GRILLER

	DELENAVN	ANT.
1	Lokk E3G2 (Orange)	1
	Lokk E3G2 (Mint)	1
	Lokk E3G2 (Stone)	1
	Lokk E3G2 (Graphite)	1
	Lokk E3G2 (Black)	1
2	Temperaturmålerinnfatning	1
3	Temperaturmåler	1
4	Avstandsstykke for håndtak på lokk	2
5	Håndtak på lokk	1
6	Høyre brenner (E3G2)	1
7	Hengsler	2
8	Hardwaresett (ikke vist)	1
9	Grillramme (E3G2)	1
10	Betjeningshåndtak	3
11	Innfatning til betjeningshåndta	3
12	Høyre sidebrett (E3G2)	1
13	Gasstenerboks (E3G2)	2
14	Elektrode (E3G2)	3
15	Venstre brenner (E3G2)	1
16	Åpen rist (E3G2)	2
17	Sidebrett fjær	2
18	Venstre sidebrett	1

19	Holder til gassdyse (E3G2)	1
20	Avskjerming til dysehus	3
21	Dyse (E3G2)	3
22	Mutter til dysehusavskjerming	3
23	Fettbrettholder (E3G2)	2
24	Grillrammeføtter	4
25	Deksel for fettbretthåndtak	1
26	Fettbrett	1
27	Holder til gass-slange	2
28	Gass-slange (E3G2)	3
29	Ventilstøtte	2
30	Slange- og regulatorsamling	1
31	Gassventil og manifoldsamling (E3G2)	1
32	Stativtopp front-/bakpanel (E3G2)	2
33	Avstandsstykke til stativtopp	4
34	Sidepanel på stativtopp	2
35	Avstandsstykke	4
36	Stativtopp BH/FV lokk	2
37	Stativtopp BV/FV lokk	2
38	Ben FV	1
39	Ben BV	1
40	Aluminiumsbrett for engangsbruk	1
41	Bunnhylle (E3G2)	1
42	Benhette BH	1

43	Benhette FH	1
44	Bunnhyllestøtte	2
45	Hjul	2
46	Fot FV	1
47	Fot BV	1
48	Midtre brenner (E3G2)	1
49	Midtre åpen grill (E3G2)	1
50	Ben FH	1
51	Ben BH	1
52	Sprutplate	1
53	Kjetting for støtte av gassflaske	1
54	Gassflaskekrok	1
55	Logo	1

**EKSTRA TILBEHØR: MATLAGINGSUTSTYR**

Gå inn på www.everdurebyheston.no for å se vårt utvalg av tilbehør

REKLAMASJONSRETTE

VIKTIG

Reklamasjonsretten gjelder materialer og arbeidslønn. Ved henvendelse om service skal du opplyse om produktets navn, serienummer og fyller ut serviceskjemaet på <https://service.witt.dk/service/nb/default.aspx> Disse opplysningene finnes på typeskiltet. Skriv evt. opplysningene ned her i bruksanvisningen, så har du dem tilgjengelig. Det gjør det enklere for servicemontøren å finne de riktige reservedelene. I løpet av reklamasjonsperioden vil grillen din bli reparert gratis av Everdure by Heston Blumenthal eller det autoriserte servicesenteret, forutsatt at du leverer og henter grillen din hos servicesenteret, jfr. vilkår og betingelser nedenfor.

REKLAMASJONSRETT

5 år: Aluminiumsdeler – lokk, tennboks, sider, ben

5 år: Plastdelelr

5 år: Lakkgaranti

REKLAMASJONSRETTE DEKKER IKKE:

1. Feil og skader, som ikke skyldes fabrikkasjons- og materialfeil.
2. Normal slitasje (f.eks. overflaterust på grillristen og misfarging på brennere).
3. Angrep fra insekter eller skadedyr.
4. Uautoriserte reparasjoner eller bruk av uoriginale deler. Riper og skader på produktet som følge av transport, installasjon eller montering.
5. Riper og skader på produktet som følge av transport, installasjon eller montering.
6. Skade på overflatebelegg på grunn av utilsiktet skade, feil eller manglende vedlikehold.
7. Skader fra rengjøringsmidler som ikke er anbefalt av Everdure by Heston Blumenthal.

TRANSPORTSKADER

En transportskade som konstateres ved forhandlerens levering hos kunden er kun en sak mellom kunden og forhandleren. I de tilfeller der kunden selv har stått for transporten av produktet påtar leverandøren seg ingen forpliktelse i forbindelse med evt. transportskade. Evt. transportskader skal meldes omgående og senest 24 timer etter at varen er levert. I motsatt fall vil kundens krav bli avvist.

UBEGRUNNET SERVICE

Hvis produktet sendes til service og det viser seg at man selv kunne ha rettet feilen ved å følge anvisningene her i bruksanvisningen, må kunden selv betale for servicen.

NÆRINGSKJØP

Næringskjøp er kjøp av apparater som ikke skal brukes i en privat husholdning, men til næring eller næringslignende formål (restaurant, café, kantine etc.) eller brukes til utleie eller annen bruk som omfatter flere brukere.

I forbindelse med næringskjøp ytes ingen garanti fordi dette produktet kun er beregnet til vanlige husholdninger.

FREMLEGGING AV GARANTIKRAV

Ta kontakt med Everdure by Heston Blumenthal ved hjelp av nedenstående kontaktinformasjon.

Alle henvendelser for service: EMAIL: everdure.service@witt.dk

ELLER GÅ INN PÅ: www.everdurebyheston.no

MONTERINGS-, DRIFTS- OCH UNDERHÅLLSANVISNINGAR

för Everdure by Heston Blumenthal FORCE™ & FURNACE™
gasolgrillar och ställ

FORCE™

2 BRÄNNARE

GASOLGRILL

FURNACE™

3 BRÄNNARE

GASOLGRILL

Power by design

THE OUTDOOR PERFORMANCE

everdure
by heston blumenthal

everdure
by heston blumenthal

LANG: SE

INNEHÅLL

Viktiga säkerhetsföreskrifter.....	92-93
Apparatens detaljer.....	94
Utomhus installationsguide.....	95
Bruksanvisning.....	96-97
Tändning.....	98
Rengöring och förvaring.....	98-99
Felsökning.....	100
Montering av grill.....	101-105
Underhåll.....	105
Reservdelslista: Grill.....	106-109
Garanti.....	110

DRIFT OCH UNDERHÅLL för E2G2O, E2G2G, E2G2S, E2G2M, E2G2B, E3G2G, E3G2M, E3G2S, E3G2O och E3G2B GASOLGRILLAR Everdure by Heston Blumenthal utomhus gasolgrillar. Det är viktigt att du sparar dessa instruktioner, inköpsbevis och andra viktiga dokument om denna produkt för framtida referens. På grund av en kontinuerlig produktutveckling, förbehåller sig Everdure by Heston Blumenthal rätten att ändra specifikationer eller utseende utan förvarning. Kassera förpackningar ansvarsfullt – återvinn där anläggningar finns tillgängliga.

VIKTIGA SÄKERHETSFÖRESKRIFTER

VIKTIGT! Läs säkerhetsanvisningarna i detta häfte noggrant innan du tar ut grillen från dess kartong eller ansluter grillen till gasförsörjningen.

WARNING! Åtkomliga delar kan bli mycket varma. Håll små barn borta.

1. Denna gasogrill och ställ är avsedda endast för ANVÄNDNING UTOMHUS. Apparaten får **INTE** användas inomhus.
2. För din säkerhet och njutning, läs bruksanvisningen innan du använder apparaten.
3. Se till att alla gasanslutningar är åtdragna innan du använder apparaten (se testproceduren för läckor i denna handbok). Kontrollera alltid efter läckor när en gasflaska har bytts ut eller återansluts.
4. Om den inte monteras på cylinderkroken, placera alltid gasflaskan på en plan yta.
5. Barn eller husdjur som inte övervakas bör inte vistas i närheten av grillen när den används, värms upp eller kyls ner. Barn och husdjur ska hållas på avstånd från grillen när den används. Se till att små barn inte leker med apparaten. Denna apparat är inte avsedd för användning av små barn eller sjuka personer.
6. Särskild försiktighet måste iakttas när du tar bort fettbrickan och engångsfoliebrickor. Misskötsel av het olja och fett kan orsaka allvarliga personskador. Var försiktig när du byter plattor och galler så att delar inte är heta, eller att olja eller fett inte droppar på brännaren. Var försiktig så att brännarens portar/venturierna inte blockeras.
7. Stäng gasventilen/reglaget och gascylinderventilen efter användning. Tillåt inte ansamling av oförbrända gaser.
8. Lämna aldrig brännarna på hög låga i mer än 5 minuter om inte under matlagning. Vid matlagning med huvan nere, följ alltid instruktionerna i avsnittet grillning i denna bruksanvisning.
9. Flytta inte apparaten under användning. Grillen bör endast lyftas med hjälp av handtagen på vardera sida. Se till att otillbörliga påtryckningar inte placeras på gasslangen eller stäng av gastillförseln och ta bort slangen från cylindern eller gaskällan (inte vid grillen). Se till att fettbrickan och engångsaluminiumfolie brickan tas bort.
10. Grillen har utformats för att användas antingen på medföljande ställ eller på en upphöjd bänk. Vid användning på en upphöjd yta, se till att ytan är plan, tillräckligt stor och stark

för att bära grillen och tåla temperaturer upp till 60° C över rumstemperaturen. När du använder stället se till att grillen står plant och att den är säkrad på stället på rätt sätt (fyra skruvar vid grillens bas)

11. Personer med brandfarliga kläder såsom nylon etc. bör hålla sig på avstånd från grillen när den används. Apparaten måste hållas åtskilt från brandfarliga material under användning.
12. Använd inte apparaten för något annat ändamål än vad den är avsedd för. Ändringar av apparaten kan vara farliga. Ändra inte i apparatens konstruktion.
13. Stäng av cylindern vid fettbrand. Fettbrickan bör rengöras och kontrolleras innan du använder grillen. Engångsaluminiumfolie brickan bör bytas innan du använder grillen. Regelbunden rengöring minskar uppbyggnaden av fett och matrester som är brännbara och kan resultera i en fettbrand. **Fett bränder kan förebyggas genom rengöring av fettbrickan och regelbundet byte av aluminiumfoliebrickor.** Låt inte aluminiumfoliebrickan svämma över. Skada till följd av fettbrand omfattas inte av reklamationsrätten och häver den. Använd inte sand, kattsand eller fettabsorbenter i fettbrickan eller brickan av engångsaluminiumfolie.
14. Se till att produkten är på tillräckligt avstånd från brännbart material. Apparaten är utformad så att värmen inte påverkar stället. Alla brännbara material måste hållas på mer än 250 mm från sidorna och baksidan av grillen och mer än 1500 mm ovanför spishällen av grillen.
15. Om en brännare gör ett väsende ljud när den tänds kan den brinna inuti. Stäng av brännaren, låt svalna och prova tändningen igen. Skydda grillen mot stark vind – om detta inte kan undvikas, kontrollera alltid att brännarna förblir tända om du använder grillen i blåsiga förhållanden.
16. Utför inte någon service på gasgrenröret på grillen – detta får endast utföras av behörig tekniker.
17. Vi rekommenderar att du regelbundet underhåller grillen och håller den i ett bra skick. Detta kan uppnås genom att följa förslagen om rengöring och underhåll i detta häfte.
18. När du inte använder stället bör cylindern placeras på en lägre nivå än grillen, så långt bort det är möjligt för slangen utan onödig spänning på slangen, på en skyddad plats (så det inte får något fettstänk från matlagning eller kan av misstag vältras över). När du använder stället hängs gascylindern på cylinderkroken. Om detta inte kan göras (på grund av design eller storlek på cylindern), ska gascylindern placeras bredvid eller bakom apparaten på en säker plats skyddad från fettstänk.

19. Apparaten är inte lämplig för montering i ett rörligt fordon (båt, släpvagn etc).
20. Använd inte eller förvara apparaten i områden med höga salthalter (marin miljö) eller områden med frätande ångor eller vätskor (t.ex. en simbassäng), eftersom dessa kemikalier kan orsaka att apparatens material försämras (och upphäva garantin). Regelbunden rengöring och övertäckning med ett grillskydd Everdure by Heston Blumenthal kan bidra till att minska detta.
21. Apparaten ska förses med en godkänd slang som är certifierad enligt gällande EN-standarder och inte överstiger 1,5 m. I Finland får slangens längd inte överstiga 1,2m. Gasregulator bör certifieras enligt EN16129 (flödehastighet max 150 kg/timme). Dessa bör anslutas enligt lokala föreskrifter. Placera slangklämmor och dra åt. Låta inte slangen trasslas eller vridas under installation och användning. Byt slangen om läckage eller blockering iakttas. Det rekommenderas att slangen byts vart tredje år.



ANVÄND INTE APPARATEN INNAN DU HAR LÄST BRUKSANVISNINGEN

PLACERA INTE ARTIKLAR PÅ ELLER MOT APPARATEN

FÖRVARA INTE KEMIKALIER, BRANDFARLIGT MATERIAL ELLER SPREJER NÄRA APPARATEN

ANVÄND INTE DENNA APPARAT INOMHUS

BYGG INTE IN APPARATEN. DET MINSTA AVSTÅNDET FÖR ENHETEN ÄR 1500 MM OVANFÖR SPISHÄLLET OCH 250 MM FRÅN SIDORNA

TÄND INTE MED HUVAN NERE

APPARATENS DETALJER

OBS! STORLEKEN PÅ INJEKTORDIAMETERN ÄR STÄMPLAD PÅ EN AV DE SEXKANTIGA YTORNA (T.EX.) '165' FÖR Ø1.65MM INJEKTOR).

MODELL BETECKNING	DESTINATIONSLÄNDER	VÄRMETILLFÖRSEL	BRÄNNARE	INJEKTORSTORLEK	GASKATEGORI	GASTYP
FORCE™	BE, FR, IT, LU, IE, GB, GR, PT, ES, CY, CZ, LT, SK, CH, SI, LV	2x3.9kW	2	φ0.95mm	I 3+(28~30/37)	Butan vid (28 ~ 30) mbar / Propan vid 37 mbar
	LU, NL, DK, FI, SE, CY, CZ, EE, LT, MT, SK, SI, BG, IS, NO, TR, HR, RO, IT, HU, LV	2x3.9kW	2	φ0.95mm	I 3B/P(30)	Butan, propan och deras blandningar vid 30 mbar
	AT, DE, CH, LU, SK	2x3.9kW	2	φ0.83mm	I 3B/P(50)	Butan, propan och deras blandningar vid 50 mbar
FURNACE™	BE, FR, IT, LU, IE, GB, GR, PT, ES, CY, CZ, LT, SK, CH, SI, LV	3x3.2kW	3	φ0.85mm	I 3+(28~30/37)	Butan vid (28 ~ 30) mbar / Propan vid 37 mbar
	LU, NL, DK, FI, SE, CY, CZ, EE, LT, MT, SK, SI, BG, IS, NO, TR, HR, RO, IT, HU, LV	3x3.2kW	3	φ0.85mm	I 3B/P(30)	Butan, propan och deras blandningar vid 30 mbar
	AT, DE, CH, LU, SK	3x3.2kW	3	φ0.74mm	I 3B/P(50)	Butan, propan och deras blandningar vid 50 mbar

PIN-KOD: 2531CS-0109

	FORCE™			FURNACE™		
Endast grill	LÄNGD (mm)	BREDD (mm)	HÖJD (mm)	LÄNGD (mm)	BREDD (mm)	HÖJD (mm)
	1170	515	410	1310	515	410
Grill och ställ	1170	750	1170	1310	750	1170

Luft släpps ut på undersidan av förbränningskammaren (två 35 mm x 20 mm mellanrum mellan fettbrickan och kammaren genom ett ovalt hål 75 mm x 135 mm i storlek). Avgaser som släpps ut runt kanten av plattorna (6mm avstånd) och genom en öppning på 275 x 40 mm i den bakre delen av huven. När du använder en öppen grill, sker luftning också genom öppningar på grillen. Brännarens luftning 17,8 x 5 mm på båda sidorna.

GASANSLUTNINGAR

KRAV FÖR BUTAN- OCH PROPANGAS

Kontrollera gastyp och specifikationsplatta på undersidan av RHS-bänken.

FÖR ANSLUTNING AV GASCYLINDER

- För att uppnå optimal prestanda från din grill bör du använda en godkänd gascylinder/flaska. Den medföljande slangen eller regulatorn måste först anslutas till grillens inlopp.
- Anslut inte en gascylinder/flaska till grillen som inte är fastsatt i det medföljande stället eller står på en stabil upphöjd yta. Cylindern ska stå lägre än grillen, på en skyddad plats och på en stabil yta.
- Innan du ansluter gasförsörjningen, se till att alla gasreglage är i avstängt läge. Ta den medföljande propan (37 mbar), vrid på regulatorn och justera regulatorns handtag till avstängt läge. Tryck regulatorn ner på flaskventilen tills ett klick hörs. När den är ansluten, vrid regulators handtag till påslaget läge för att slå på gastillförseln. Kontrollera att alla skarvar är säkra.
- För att ta bort regulatorn från cylindern, vrid regulatorns handtag till avstängt läge, tryck handtaget inåt och lyft regulatorn från flaskventilen.

OBS: Endast en gasflaska bör förvaras på stället åt gången.

LÄCKAGETEST

- Se till att gasreglaget är **av** och vrid flaskventilen till **på**.
- Kontrollera om skarvar läcker genom att borsta med en lösning av hälften flytande diskmedel och hälften vatten. Om en läcka förekommer kommer bubblor att visas (eller så kan du höra ett väsande ljud). Efterdragning av anslutningar kan generellt reparera en läckande skarv. Du måste också kontrollera gasslangen och anslutningen till gasflaskan. Om läckan inte kan åtgärdas, får grillen inte användas. Fyll i och skicka in serviceschemat på: everdure.service@witt.dk.



ANVÄND INTE ÖPPEN LÅGA FÖR ATT HITTA GASLÄCKOR.

OM LÄCKAN KVARSTÅR KONTAKTA EN AUKTORISERAD GASINSTALLATÖR.

GASCYLINDER

För montering på cylinderkroken får gascylinderns höjd inte överstiga 500 mm och diametern får inte överskrida 320 mm. Om de överstiger, placera cylindern på en plan yta, där slangen inte kommer i kontakt med vassa kanter eller heta ytor och där mslangen inte sträcks ut och utsätts för belastning. Säkerställ att gasflaskan och slangen inte kommer i kontakt med stället eller någon varm/skarp yta. Byt alltid gascylindern på avstånd från antändningskällor.

Utomhus installationsguide

Denna apparat får endast användas utomhus och ovan mark med naturlig ventilation, på stillastående områden där gasläckage och förbränningsprodukter snabbt kan spridas av vind och naturlig konvektion.

Apparaten får inte användas inomhus. Använd inte grillen i garage, på verandor, i bodar eller andra slutna områden. Grillen är inte avsedd att monteras i eller användas på fritidsfordon (t ex båtar, campingbilar) och bör inte placeras nära eller under några ytor som kan antändas eller är känsliga för värme. Blockera inte eller hindra luftflödet och förbränningen runt grillhuset när grillen används.

BRUKSANVISNING

ALLMÄNNA ANVISNINGAR

Ett ganska skyddat läge är önskvärt för en bekväm och effektiv matlagning. Försök att hålla grillen skyddad från starka vindar eftersom detta kommer att drastiskt minska tillagningens effektivitet. Om detta är oundvikligt, placera grillen så att den är parallell i riktning mot vinden. Håll grillen i ett plant läge. Kontrollera ofta att brännaren är tänd när den används vid stark vind (genom sikthålet på vänster sida av chassit eller genom öppna grillar). Kontrollera att minimiavstånden från grillen mot eventuella väggar eller brännbara ytor är uppfyllda, och när stället inte används, att underlaget tål värme. När du använder stället se till att grillen är i låst läge med hjälp av hjullåset och att slangen inte vidrör någon het yta.

GASTYP OCH FÖRBRÄNNING

Grillen är konstruerad för att fungera endast med propan- eller butangas. Gasförbrukning, tryck och injektorstorlekar visas på typskylten som finns under bänken på höger sida.

GASENS KONTROLLREGLAGE

Gasens kontrollreglage ställer in lägena **av** och **hög**. Genom att trycka in vredet och vrida det moturs kommer gasflödet gradvis att öka tills den når **hög** inställning. Fortsätt att vrida i denna riktning och gasflödet minskar tills en låg nivå nås på **låg**. För att stänga av gasflödet måste kontrollreglaget vridas medurs från **låg**, tryckas in på hög och vridas tills läget **av** nås.

GALLER I GJUTJÄRN

FORCE™ med två brännare och FURNACE™ med tre brännare grillar, levereras med öppna grillgaller.

En plan, massiv platta finns som tillhör för FURNACE™ för användning på höger sida (detta är den rekommenderade allmänna grill- och plattkonfigurationen som minskar värmen som strömmar över kontrollvredet). FURNACE™ med tre brännare har som extra tillbehör en central teppanyaki- platta eller en plan, massiv platta för höger sida. Observera

att galler och plattor som används på båda grillarna inte kan användas på den andra modellen och att högst en grillplatta kan bytas ut mot en annan platta (endast en platta installerad). De öppna grillarna har en fast remsa av gjutjärn inbyggd i botten av grillen och den används för att skydda brännaren mot olja eller mat. Grillarna är monterade på stöd som är inbyggda på insidan av chassit. När de är korrekt placerade bör det finnas ett mellanrum på 5-6 mm mellan grillar och den inre kanten av chassit. Eventuellt överflödigt fett eller vätska kommer att droppa in i chassit och på fettbrickan och foliebrickan under chassit. Om brännarens öppningar blockeras, låt grillen svalna och rengör brännaren med en stålborste. För en lista med tillbehör gå till Everdure by Heston Blumenthal webbplats.

OBS: Emaljbeläggningen kan skadas av metallredskap. Skador på plattor och grillar på grund av användning av metall- eller vassa föremål täcks inte av reklamationsrätten. Det rekommenderas att man använder silikonköksredskap eftersom dessa är både hygieniska och tål höga temperaturer.

FETTBRICKA

Kontrollera före användning att fettbrickan är ren och att en engångs aluminiumfoliebricka är placerad i. Använd endast foliebrickor avsedda för grillen eftersom brickor av fel storlek eller höjd kan orsaka problem med luftning till grillen eller spillt fett och oljor. Kontrollera att fettbrickan är helt installerad under grillen innan du använder apparaten.

UNDER INGA OMSTÄNDIGHETER FÅR SAND, KATTSAND ELLER FETTABSORBERMEDEL ANVÄNDAS I FETTBRICKAN ELLER FOLIEBRICKAN.

everdure

by heston blumenthal

everdure

by heston blumenthal

STEKNING

Stekning (eller användning av grillen med huven nere) bör inte göras med alla vreden inställda på högt läge. Detta är mycket viktigt. Följden kan bli allvarlig överhettning och bränd mat om dessa instruktioner inte följs. Stekning görs bäst med hjälp av ett upphöjt stekställ, såsom Everdure by Heston Blumenthal stekställ HBROASTR, som tillåter uppvärmd luft att cirkulera runt köttet och fett att droppa bort från köttet.

Ställ alltid in grillen med standard grillkombination såsom anges i monteringsanvisningen. Skär en bit folie något större än stekstället och placera det i mitten av grillen ovanpå gallret. Skär några hål genom folien så att överflödigt fukt och fett kan flöda genom gallret. Placera stekstället centralt över folien. Förvärm grillen i 5 minuter med huven nere och de yttre gaskontrollerna på hög (för FURNACE™ grillar, **lämna mittenvredet på av**).

När grillen har nått ~ 180° C, öppna huven, placera maten på stekstället, stäng huven och vrid kontrollvredet till låg (dessa kan justeras under stekningen för att hålla den inre temperaturen stabil, väderförhållanden såsom temperatur och vindhastighet kommer att påverka effektiviteten i grillen). Övervaka tillagningen regelbundet tills maten är klar.

JUSTERA BÄNKEN

Den vänstra bänken kan fällas ner för enklare förvaring (den högra bänken med gaskontroller är fast och kan inte justeras). När grillen är avstängd och sval placera din vänstra fot framför vänster bakre ben för att stabilisera grillen och dra bänken framåt för att låsa upp den från grillen. När bänken är fullt utdragen, vrid den nedåt och släpp. Se steg 9 och monteringsprocedur för stället.

EFTER TILLAGNING

- När du är klar, kontrollera att brännarens vred är **AV**.
- STÄNG AV GASTILLFÖRSELN PÅ GASFLASKAN EFTER ANVÄNDNING.**
- Efter tillagning och när grillen fortfarande är varm, ta bort rester från gallret med en skrapa.
- Överflödigt fett och köttrester kan skrapas bort från insidan av chassit genom att ta bort gallret/plattan för att komma åt det. **WARNING!** Vissa ytor kan fortfarande vara heta – använd skyddshandskar.

- Rengör fettbrickan och byt aluminiumfoliebrickan efter eller före varje användning av apparaten.
- När grillen är sval, stäng huven och torka bort eventuella fettstänk från stället med en ren trasa.

TÄNDNING



LÄS HELA BRUKSANVISNINGEN INNAN DU TÄNDER APPARATEN

ÖPPNA HUVEN INNAN DU TÄNDER

KONTROLLERA ATT GASVREDET ÄR I AV-LÄGE OCH ÖPPNA CYLINDER/FLASKVENTILEN

SE TILL ATT GRILLEN OCH PLATTAN ÄR I RÄTT LÄGE FÖR GRILLNING

TÄNDA GRILLEN MED DEN INBYGGDA TÄNDNINGEN PÅ KONTROLLVREDET

FORCE™ och FURNACE™ grillar har ett roterande tändsysteem inbyggt i gasventilerna som kan nås via de inbyggda vreden i den högra bänken. För att antända en brännare, tryck ner ett lämpligt kontrollvred och vrid det sakta moturs. Detta börjar släppa in gasen i brännaren. När vredet når tändningssymbolen på kontrollpanelen kommer en gnista att antända gasen i brännaren. Vredet kan sedan roteras hela vägen till "HÖG" och släppas eller justeras till en lämplig temperaturinställning.

Om brännaren inte antänds, vrid tillbaka kontrollreglaget till "AV"-läge och försök igen. Om den fortfarande inte tänds efter 5 försök, lämna grillen avstängd och försök igen efter 5 minuter.

Det finns 2 kontrollvreden på FORCE™ grillar och 3 kontrollvreden på FURNACE™ grillar (en för varje brännare under en platta eller grill). Kontrollreglaget närmast baksidan styr brännaren till höger. Kontrollreglaget närmast framsidan styr brännaren till vänster. Kontrollvredet i mitten (FURNACE™ endast) styr brännaren i mitten.

RENGÖRING OCH FÖRVARING

YTTRE RENGÖRING

Innan du rengör grillens utsida och stället, kontrollera att apparaten har svalnat och är säker att röra. Målade ytor och plastytor kan rengöras med ett mildt hushålls- rengöringsmedel eller rengöringsmedel och en ren trasa (använd inte putsvantar eller starka rengöringsmedel). **Det är lämpligt att testa rengöringsmedlet på en liten del av apparaten först.**

Använd **ALDRIG** thinner eller liknande lösningsmedel för rengöring och håll **ALDRIG** kallt vatten över heta ytor. Torka ytan efteråt.

INVÄNDIG RENGÖRING

Innan du rengör grillens inre delar, se till att apparaten har svalnat och är säker att röra. Insidan av huven kan rengöras med lite vatten, mildt diskmedel och en mjuk svamp. Non-stick-ytor ovh galler ska rengöras försiktigt så att ytan inte repas, helst när ytan fortfarande är varm. För områden som är svåra att rengöra använd lite bakpulver på en fuktig svamp. Använd inte slipande rengöringsmedel.

WARNING! Ytorna på plattan kan vara heta. Ha på dig skyddshandskar.

FÖRVARING

När apparaten inte används måste flaskventilen vara AV. Grillen, stället och cylindern måste förvaras tillsammans utomhus i ett väl ventilerat utrymme. Men det är tillåtet att förvara apparaten (men inte cylindern) inomhus. Kontrollera att hällen är ren innan du stoppar undan den för förvaring.



**FÖRVARA CYLINDERN I ETT VÄL VENTILERAT UTRYMME
OÅTKOMLIGT FÖR BARN**

När gascylindern är frånkopplad, ska gasventilen täckas med täcklocket. För en längre tids förvaring föreslås det att huvudöppningarna på brännarna täcks för att förhindra att insekter eller ohyra kommer in. Spindlar och små insekter kan göra spindelväv eller bon i brännarens rör vilket kan leda till blockering i gas- och luftflödet och orsaka brand i och runt brännaren. Denna typ av brand kallas flash-back och kan orsaka allvarliga skador på din grill och skapa ett osäkert drifttillstånd. För att förhindra detta, inspektera regelbundet och rengör brännarna. Använd ett grillskydd från Everdure Heston Blumenthal FORCE™ eller FURNACE™ för extra skydd och för att minska risken för detta.

FELSÖKNING

Brännaren tänds inte när du använder tändaren:

Flaskventilen är inte på	Slå på flaskventilen
Cylindern är tom	Ersätt med en full cylinder/flaska.
Tändaren gnistar inte	Ta bort gallret/plattan och kontrollera manuellt om tändaren under brännaren skapar en gnista. Kontrollera att kablarna till tändningspunkten eller från ventilen till chassit inte är trasiga eller frånkopplade. Kontrollera även anpassningen av tändaren. Om det inte finns någon gnista, kontakta serviceleverantören.
Injektor är blockerad	Rengör injektorn med en tandborste. Borra inte eller använd tråd. Ta inte bort injektorn. Kontakta serviceleverantören.

Brännarens låga är oregelbunden:

Brännaren är blockerad	Ta bort spishällen och kontrollera brännare för blockering. Rengör portarna.
Lågan brinner inuti brännaren (väsande ljud)	Stäng av brännaren, låt svalna och tänd igen enligt instruktioner.
Regulatorn är defekt	Kontakta serviceleverantören.
Injektor är delvis blockerad	Rengör injektorn med en tandborste. Borra inte eller använd tråd. Ta inte bort injektorn. Kontakta serviceleverantören. Om det inte går att rengöra med tandborste, fyll i och skicka in serviceschema på everdure.service@witt.dk

Gas läcker från anslutningar:

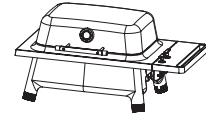
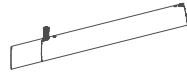

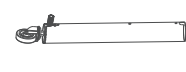




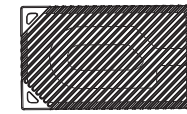

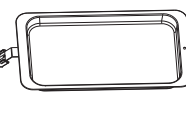
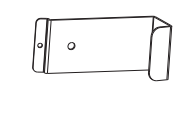

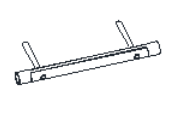

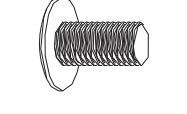
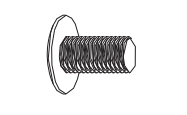



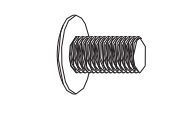

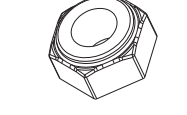
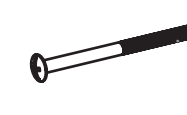

Anslutningar sitter löst	Dra åt lösa anslutningar (dra inte alltför hårt) och läckagetesta under tryck med tvål och vattenlösning (sidan 93)
Slangen har försämrats	Fyll i och skicka in serviceschema på everdure.service@witt.dk - slangen ska bytas ut.
Gasventilen är felaktig	everdure.service@witt.dk
Trådar är skadade	Fyll i och skicka in serviceschema på everdure.service@witt.dk

GRILL OCH STÄLL

Grillen och huven levereras färdigmonterade. Innan montering måste stället först byggas (Obs: av transportskäl är grillen fastskruvad till stället och bör tas bort innan du försöker montera stället). Grillen placeras tillbaka inuti stället efter att det har monterats och skruvats fast igen (den kan tas bort för att användas på en upphöjd bänk). Det behövs bara en medelstor stjärnskruvmejsel.

Öppna kartongen och ta ut delarna. Ta bort alla förpackningar (kontrollera noga inuti grillchassit) och placera delarna på en ren yta. Kontrollera för eventuella skador eller saknade delar (i händelse av saknade eller skadade delar, fyll i och skicka in serviceschema på everdure.service@witt.dk).

DELAR SOM INGÅR I FORCE™ OCH FURNACE™

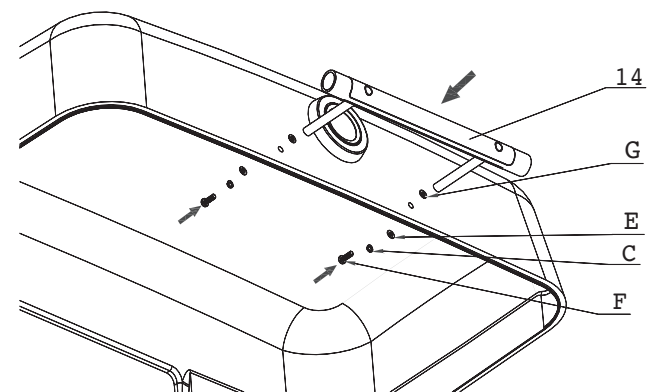
01/ Huv, grillchassi och 01B-ställ x 1 st	02/ Främre vänster ben x 1 st	03/ Bakre vänster ben x 1 st	04/ Främre höger ben x 1 st	05/ Bakre höger ben x 1 st	06/ Stöd nedre hylla 2 st	07/ Nedre hylla x 1 st	08/ Galler i gjutjärn x 2 st (endast FORCE-modellen)
							
09/ Galler i gjutjärn, mellan (endast FURNACE-modellen) x 1 st	10/ Galler i gjutjärn (endast FURNACE-modellen) x 2 st	11/ Fettbricka x 1 st	12/ Cylinderkrok x 1 st	13/ Stödkedja gascylinder x1 st	14/ Huvhandtag x 1 st	15/ Left Hand Servery x 1Pc	A/ Skruv M6x12 x 15 st
							
B/ Skruv M5 x 12 x 4 st	C/ Fjäderbricka Ø5 x 6 st	D/ Fjäderbricka Ø6 x 5 st	E/ Platt bricka Ø6 x 10 st	F/ Skruv M5 x 30 x 2 st	G/ Glasfiberbricka Ø5 x 2 st	H/ Mutter M6 x 1 st	I / Bolt M6 x 85 x 2Pcs
							
J / Hinge Spring x 2Pcs							
							

FÖRPACKNING

Ta bort alla inre kartonger och förpackningar från grillen/huven. Ta bort grillen från emballaget, innan montering och användning. Återvinn enligt lokala förordningar.

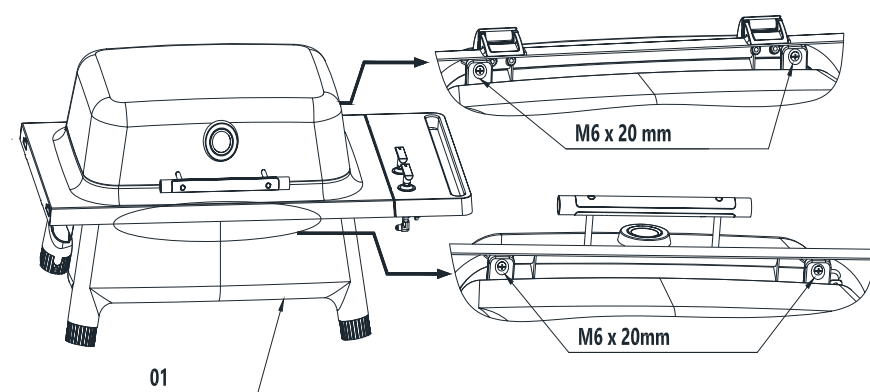
STEG 01

/Öppna huven och skruva fast huvhandtaget (14) med två M5x30mm skruvar (F), två Ø5mm fjäderbrickor (C) två platta brickor av Ø6mm (E) och två Ø5mm Glasfiberbricka (G). Dra åt så att den sitter fast.



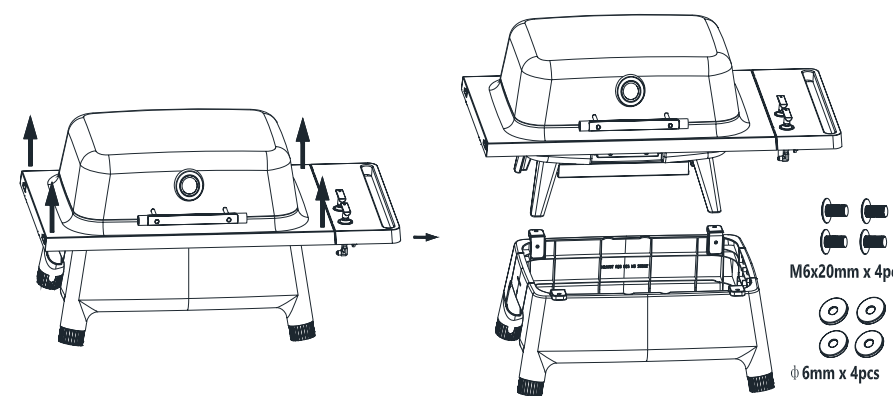
STEG 02

/Huven och grillchassit transporteras fastskruvade till övre stället med fyra M6x20mm skruvar och fyra Ø6mm fjäderbrickor (två framtill och två baktill). Innan du monterar stället bör det övre stället tas bort.



Vinkla anordningen en aning bakåt och ta bort båda M6x20mm skruvarna och gör sedan samma sak på framsidan, stöta delarna så de inte ramlar. Förvara alla fästena för senare användning. Avtagbara klistermärken på framsidan och baksidan markerar positioner för dessa skruvar.

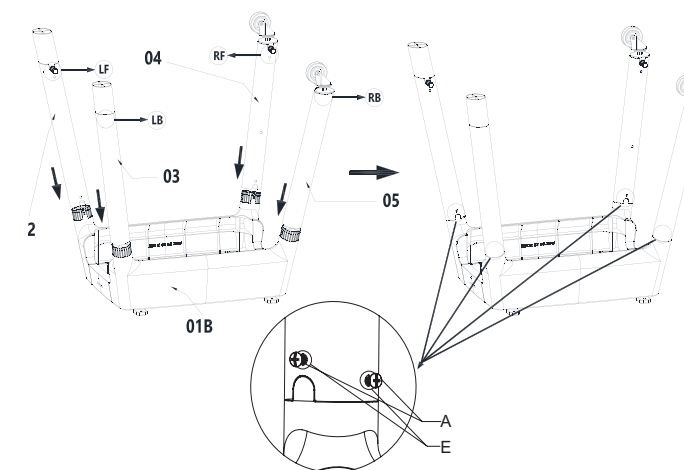
Ta bort huven och grillchassit från det övre stället och placera dem på marken.



STEG 03

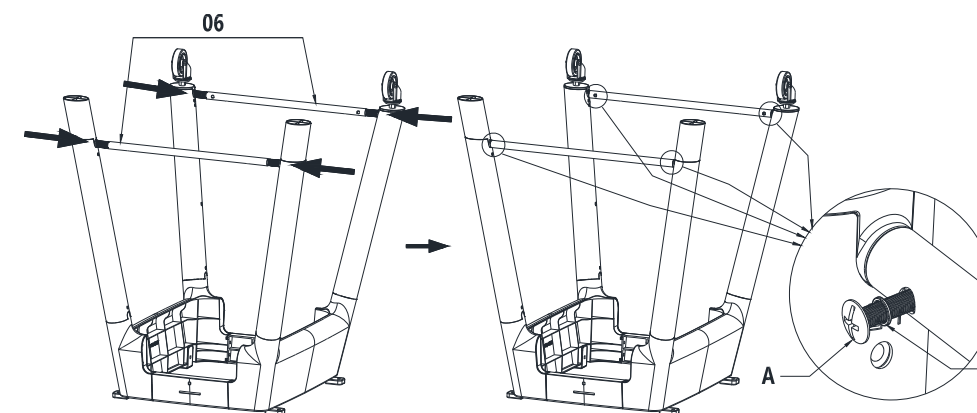
/Ta det övre stället (01B) och placera det upp och ner (med benen uppåt) på en ren yta (Obs: det finns ingen fram- eller baksida på denna del). Ta höger främre ben (04 med ett skruvhål i foten) och placera det över bakre högra hörnet. Skruva fast det med en M6 x 12mm skruv (A) och plan bricka (E), men dra inte åt. Ta höger bakre ben (05 med ett skruvhål i foten) och placera det över främre högra hörnet. Skruva fast det med en M6 x 12mm skruv (A) och plan bricka (E), men dra inte åt.

Ta vänster främre ben (02) och placera det över bakre vänster ben. Skruva fast det med en M6x12mm skruv (A) och planbricka (E), men dra inte åt. Ta vänster bakre ben (03) och placera det över främre höger ben. Skruva fast det en M6x12mm skruv (A) och planbricka (E), men dra inte åt.



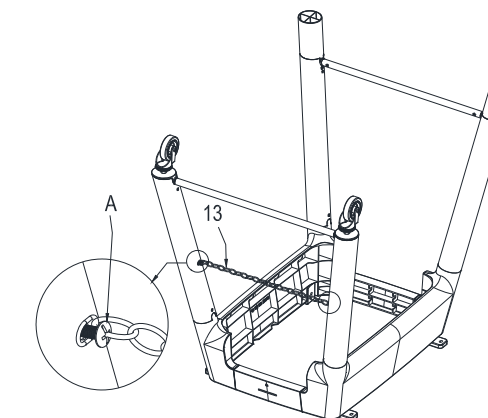
STEG 04

/Ta de två nedersta hyllstöden (06) och passa in dem på de cylindriska flikarna på insidan av varje fot. Vrid varje stöd så att de yttersta skruvhålen riktas inåt och de inre skruvhålen riktas mot stället (om inte, dra ut och passa in dem på motsatt sätt). Skruva fast med åtta M6x12mm skruvar (A) och platt bricka (E). När allt är monterat, dra åt alla fyra skruvarna samt skruvarna från steg 02.



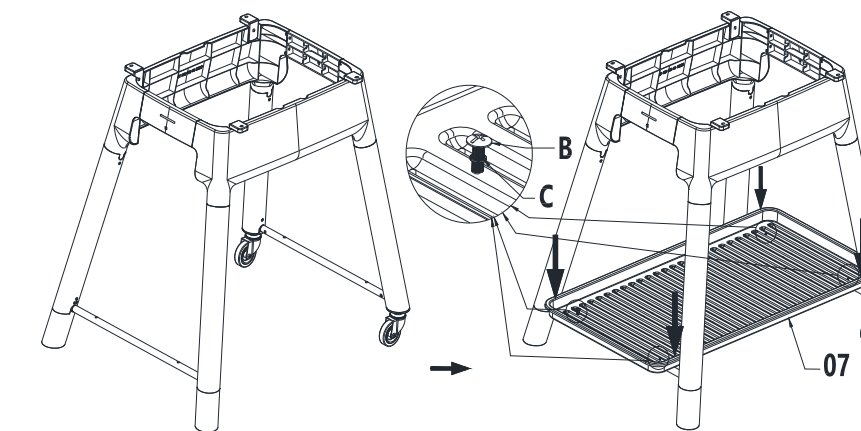
STEG 05

/Det finns två gängade hål på insidan av höger ben. Ta stödkedjan (13) och skruva fast den till de två benen med två M6x12mm skruvar (A). Dra åt helt.



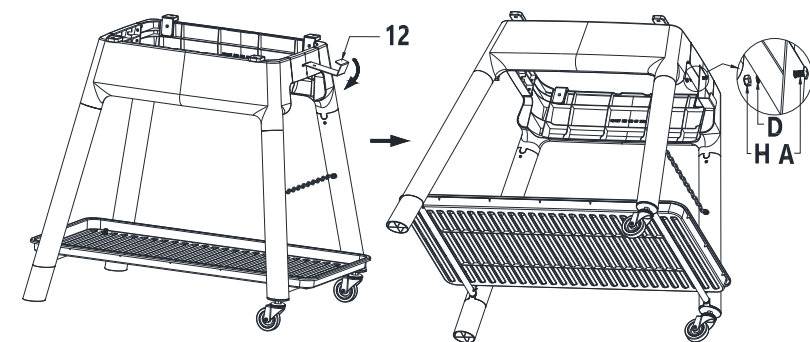
STEG 06

/Vrid stället så att det står på benen och kontrollera att alla benen är stabila. Ta den nedre plathyllan (07) och placera den på de två nedersta hyllstöden. Rada upp de fyra hålen i den nedre hyllan med de gängade hålen i de nedre brickstöden och skruva fast med fyra M5x12mm skruvar (B) och fyra fjäderbrickor (C). Dra åt helt.



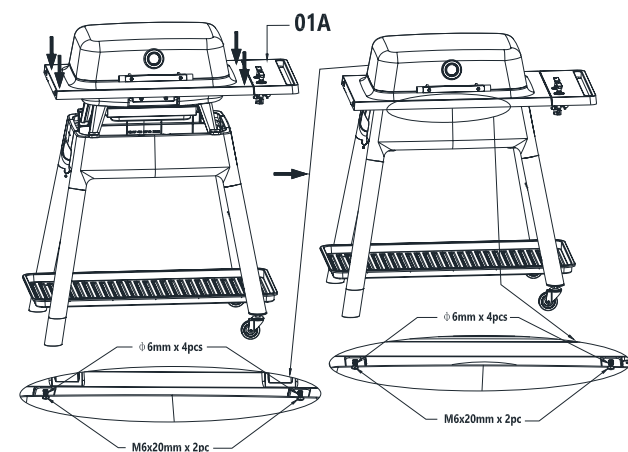
STEG 07

/Skjut den platta kanten av cylinderkroken (12) i spåret på övre stället (ovanför höger ben och hjul) fram till benet och vrid sedan nedåt tills kroken är mot ställets ovasida. Skruva fast med en M6x12mm skruv (A), M6 låsmutter (H) och fjäderbricka (D). Stället är nu klart.



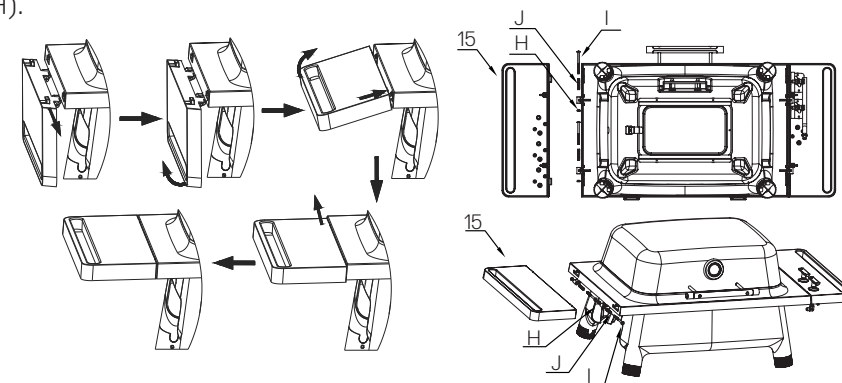
STEG 08

/Ställ stället med styrhjulerna till höger. Två personer bör lyfta grillen och huvan (01A) med hjälp av bänken och placera den i stället (riktad framåt, hjulerna till höger). Skruva fast grillen till stället med fyra M6x20mm skruvar och M6 fjäderbrickor som togs bort i steg 1 – två fram och två bak. Dra åt helt.



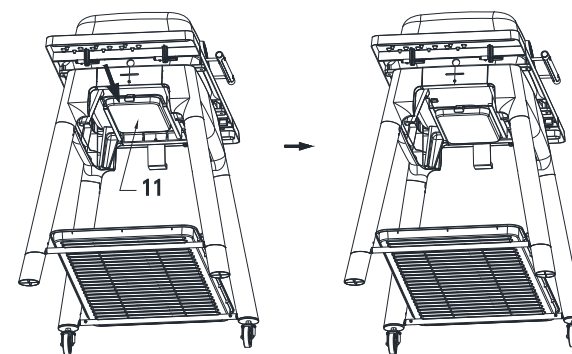
STEG 09

/Gör så här för att fästa det vänstra sidobordet (15) på grillen (01B): stöd det vänstra sidobordet och justera placeringstapparna i hålen och dra det vänstra sidobordet bakåt (ca 1 cm). Montera fjädern (J) på M6 x 85 mm-skruven (I) och dra åt den med M6-mutter (H).



STEG 10

/Placera fettbrickan (11) och engångs aluminiumfoliebrickan på fästena på botten av grillen. Se till att fettbrickan är korrekt placerad.



STEG 11

/Placera gallren på grillen som visas i diagrammen. Varje galler bör ha ett mellanrum på 5-6 mm runt varje kant. Varje galler ska placeras i ett spår på ett plattstöd.

UNDERHÅLL

Det rekommenderas att följande underhåll utförs i början av varje grillsäsong:

BRÄNNARE

1. Borsta utsidan av brännarna med en hård borste för att avlägsna rost och smuts. Kontrollera att alla portar är öppna.

GASFÖRSÖRJNING

1. Inspektera gasslangen för eventuell försämring och byt den vid behov.
2. Testa gaskretsen för läckor och åtgärda de som hittas. Efterspänn alla monteringar. Fyll i och skicka in serviceschema på everdure.service@witt.dk. Grillen får inte användas om gaskretsen läcker.

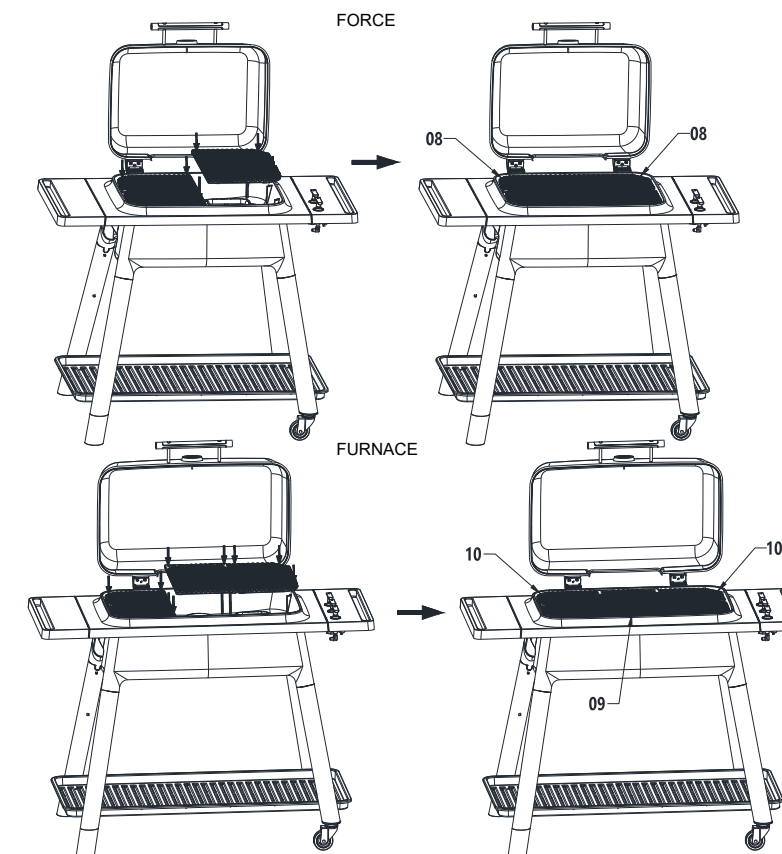
GRILL OCH HUV

1. Torka av grillens och huvens yttersta områden med en ren trasa.

STÄLL

1. Kontrollera alla fästelement för täthet och dra åt där det är nödvändigt att säkerställa stabilitet.
2. Torka av grillens ställ med en ren trasa. Lägg till lite olja eller fett på alla rörliga delar.

Om stället är anslutet till grillen, kontrollera att skruvarna som håller det fast till grillen är fastskruvade och åtdragna. Slitage på denna grill kan minskas genom att täcka över den och förvara den inomhus när den inte används. VIKTIGT: Skydda de rostfria ytorna med en syrafri olja flera gånger om året för att minimera angrepp av rost. Notera, att rostangrepp och angrepp på grillens yta inte täcks av reklamationsrätten.



STEG 12

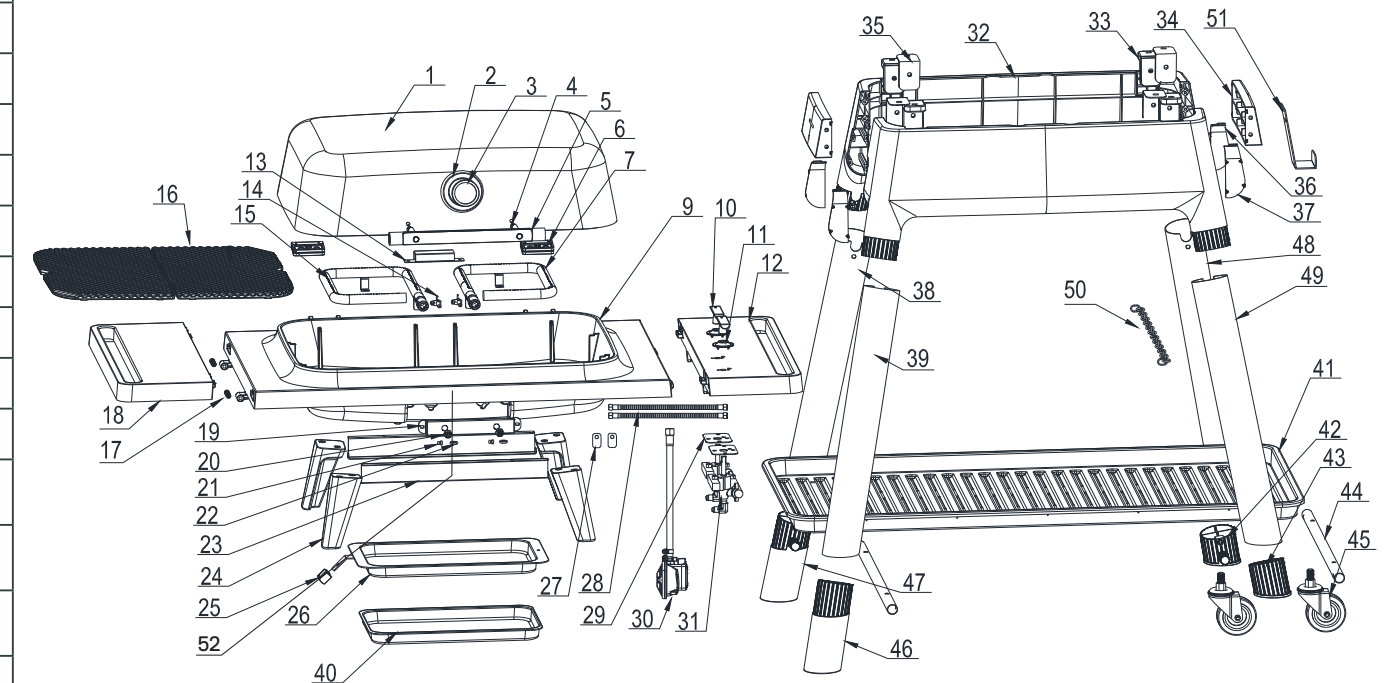
/Anslut en godkänd slang och/eller regulator till insugningsröret (om det inte redan är anslutet). Häng gasflaskan på stödkroken (12) och luta den mot stödkedjan. Anslut regulator till gascylindern/flaskan och gör ett läckagetest (enligt instruktionerna för gasanslutningar). Kontrollera att alla slanganslutningar är täta och att alla kontrollvreden är avstängda innan du slår på gasen och gör ett läckagetest.

RESERVDDELSLISTA: FORCE™ GRILLAR

	NAMN PÅ DEL	KVT
1	Huv E2G2 (Mint)	1
	Huv E2G2 (Stone)	1
	Huv E2G2 (Graphite)	1
	Huv E2G2 (Black)	1
	Huv E2G2 (Orange)	1
2	Infattning temperaturmätare	1
3	Temperaturmätare	1
4	Huvhandtag kopplingsrör	2
5	Huvhandtag	1
6	Gångjärn	2
7	Höger brännare (E2G2)	1
8	Hårdvarukit (visas inte)	1
9	Grillchassi (E2G2)	1
10	Kontrollvrede	2
11	Infattning kontrollvrede	2
12	Höger bänk (E2G2)	1
13	Gaständningslåda (E2G2)	1
14	Elektrod (E2G2)	2
15	Vänster brännare (E2G2)	1
16	Öppet galler (E2G2)	2
17	Serveringsbänk	2
18	Vänster bänk	1

19	Injektorfäste (E2G2)	1
20	Injektorhölje	2
21	Injektor (E2G2)	2
22	Injektorhölje	2
23	Fettbricka fäste (E2G2)	2
24	Grillchassi fötter	4
25	Fettbricka handtagslock	1
26	Fettbricka	1
27	Stöd för gasledning	2
28	Gasledning (E2G2)	2
29	Stöd för ventil	2
30	Slang/Regulator	1
31	Gasventil och grenrör (E2G2)	1
32	Övre främre/bakre panel för ställ (E2G2)	2
33	Övre ställ kopplingsrör	4
34	Övre ställ sidopanel	2
35	Kopplingsrör fäste	4
36	Övre ställ bakre höger/främre vänster täcklock	2
37	Övre ställ bakre vänster/främre höger täcklock	2
38	Ben främre vänster	1
39	Ben bakre vänster	1
40	Engångs aluminiumfoliebricka	1

41	Nedre hylla (E2G2)	1
42	Benskydd bakre höger	1
43	Benskydd främre höger	1
44	Stöd nedre hylla	2
45	Styrhjul	2
46	Fot främre vänster	1
47	Fot bakre vänster	1
48	Fot främre höger	1
49	Fot bakre höger	1
50	Stödkedja gascylinder	1
51	Cylinderkrok	1
52	Logo	1

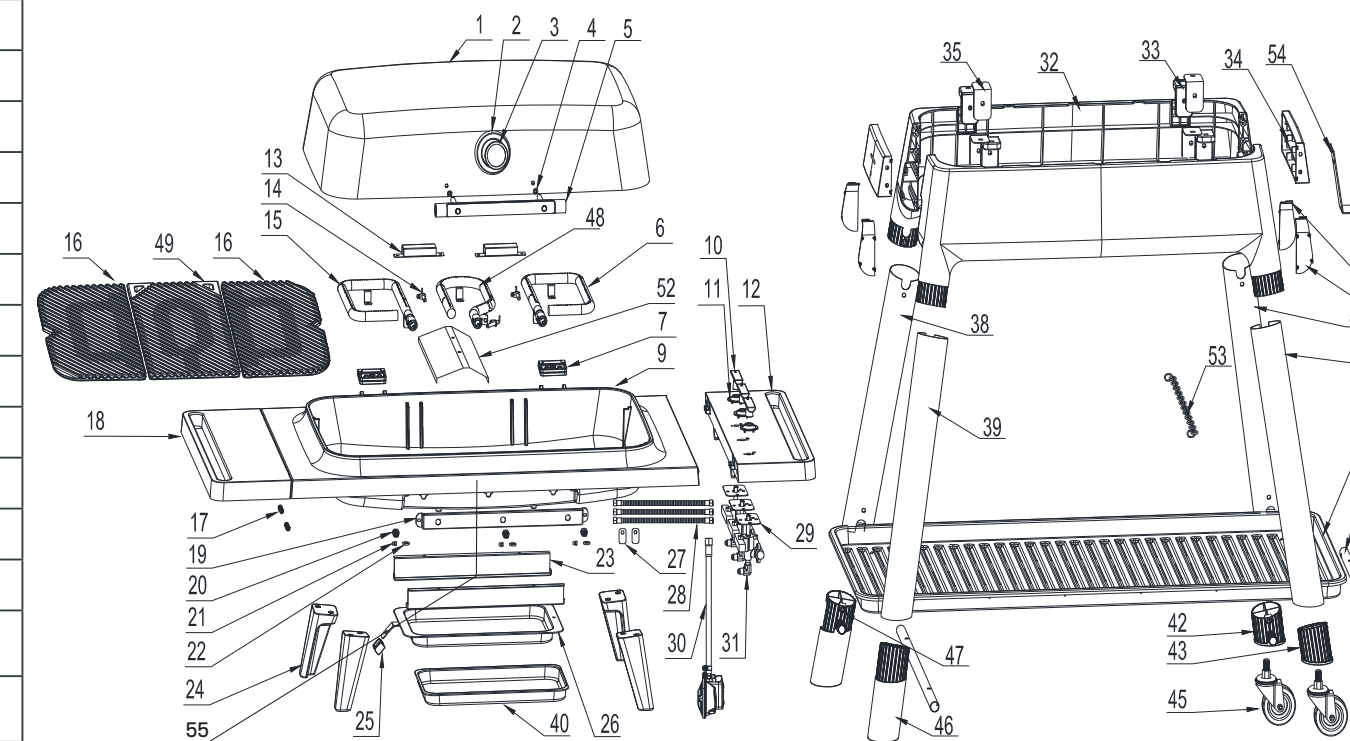


RESERVDDELSLISTA: FURNACE™ GRILLAR

	NAMN PÅ DEL	KVT
1	Huv E3G2 (Orange)	1
	Huv E3G2 (Mint)	1
	Huv E3G2 (Stone)	1
	Huv E3G2 (Graphite)	1
	Huv E3G2 (Black)	1
2	Infattning temperaturmätare	1
3	Temperaturmätare	1
4	Huvhandtag kopplingsrör	2
5	Huvhandtag	1
6	Höger brännare (E3G2)	1
7	Gångjärn	2
8	Hårdvarukit (visas inte)	1
9	Grillchassi (E3G2)	1
10	Kontrollvrede	3
11	Infattning kontrollvrede	3
12	Höger bänk (E3G2)	1
13	Gaständningslåda (E3G2)	2
14	Elektrod (E3G2)	3
15	Vänster brännare (E3G2)	1
16	Öppet galler (E3G2)	2
17	Serveringsbänk	2
18	Vänster bänk	1

19	Injektorfäste (E3G2)	1
20	Injektorhölje	3
21	Injektor (E3G2)	3
22	Injektorhölje	3
23	Fettbricka fäste (E3G2)	2
24	Grillchassi fötter	4
25	Fettbricka handtagslock	1
26	Fettbricka	1
27	Stöd för gasledning	2
28	Gasledning (E3G2)	3
29	Stöd för ventil	2
30	Slang/Regulator	1
31	Gasventil och grenrör (E3G2)	1
32	Övre främre/bakre panel för ställ (E3G2)	2
33	Övre ställ kopplingsrör	4
34	Övre ställ sidopanel	2
35	Kopplingsrör fäste	4
36	Övre ställ bakre höger/främre vänster täcklock	2
37	Övre ställ bakre vänster/främre höger täcklock	2
38	Ben främre vänster	1
39	Ben bakre vänster	1
40	Engångs aluminiumfoliebricka	1

41	Nedre hylla (E3G2)	1
42	Benskydd bakre höger	1
43	Benskydd främre höger	1
44	Stöd nedre hylla	2
45	Styrhjul	2
46	Fot främre vänster	1
47	Fot bakre vänster	1
48	Central brännare (E3G2)	1
49	Öppet galler (E3G2)	1
50	Fot främre höger	1
51	Fot bakre höger	1
52	Skiljevägg	1
53	Stödkedja gascylinder	1
54	Cylinderkrok	1
55	Logo	1

**EXTRA TILLBEHÖR: MATLAGNINGSTILLBEHÖR**

Besök www.everdurebyheston.se för ett komplett utbud av tillbehör

REKLAMATION OCH SERVICE

VIKTIGT

Reklamationsrätten omfattar material och arbetslön. Vid begäran av service ska du informera om produktens namn, serienummer fylla ut serviceschemat på <https://service.witt.dk/service/se/everdure/Service.aspx>. Dessa upplysningar finns på typskylten. Notera eventuellt dessa upplysningar här i bruksanvisningen så har du dem lätt tillgängliga. Det gör det lättare för serviceteknikern att hitta de rätta reservdelarna.

Under reklamationsperioden blir din grill reparerad gratis av Everdure by Heston Blumenthal eller deras auktoriserade servicecenter, förutsatt att din grill levereras till och hämtas från servicecentret, jämför villkor och regler nedan.

GARANTI OCH REKLAMATIONSRÄTT

1 års garanti och 2 års reklamationsrätt: Aluminiumdelar, lock, eldstad, sidor, ben

1 års garanti och 2 års reklamationsrätt: Plastdelar

1 års garanti och 2 års reklamationsrätt: Färg

REKLAMATIONSRÄTTEN TÄCKER INTE:

1. Fel och skador som inte är fabrikations- och materialfel.
2. Vanligt, rimligt slitage (t ex värmemissfärgning av galler/plattor).
3. Produktskador orsakade av skadedjur.
4. Om det använts reservdelar som inte är original.
5. Om anvisningar i bruksanvisningen inte har följts.
6. Om inte installationen har skett som anvisat.
7. Om icke-auktoriserade har installerat eller reparerat produkten.

TRANSPORTSKADOR

En transportskada som konstateras vid återförsäljarens leverans hos kunden, är detta uteslutande en sak mellan kunden och återförsäljaren. I de fall då kunden själv stått för transporten av produkten, påtar sig leverantören ingen förpliktelse i förbindelse med eventuella transportskador. Eventuella transportskador ska anmälas omgående och senast 24 timmar efter att varan levererats. Annars kommer kundens krav att avvisas.

OGRUNDADE SERVICEBESÖK

Om man tillkallar en servicemontör och det visar sig att man själv hade kunnat rätta till felet, genom t ex att följa anvisningarna i bruksanvisningen eller genom att byta en säkring i säkringsskåpet, faller det på kunden att själv betala för servicebesöket.

KOMMERSIELLA INKÖP

Kommersiella inköp är sådana inköp av apparater, som inte ska användas i privata hushåll, men som används i kommersiella sammanhang eller liknande (restaurang, café, kantin etc.) eller används till uthyrning eller annan användning som omfattar flera användare.

I förbindelse med kommersiella inköp frånfäller garantin eftersom denna produkt uteslutande är avsedd för vanliga hushåll.

SERVICE

Det är alltid kundens ansvar att produkten är tillgänglig för teknikern på servicebesök vid nyttjande av reklamationsrätten. Garantin täcker produkten i det skick kunden fick den levererad.

Teknikerns arbete omfattas av reglerna i arbetsmiljölöagstiftningen (t.ex. om tunga lyft), vilket påverkar vad tekniker får och inte får göra under ett servicebesök. ”

Kontakta service i de nordiske länderna:

Alla frågor gällande service.

MAIL: everdure.service@witt.dk

LÄS MER PÅ: www.everdurebyheston.se

LANG: NL

INHOUD

Belangrijke Veiligheidsvoorschriften.....	24-25
Gegevens van Apparaat	26
Installatiegids Buitenshuis	27
Bedieningsinstructies.....	28-29
Ontstekingsprocedure	30
Reiniging & Opslag.....	31
Probleemoplossing	32
Montage Barbecue	33-37
Onderhoud	37
Onderdelenlijst: Barbecue Montage	38-41

BEDIENINGS- EN ONDERHOUDSINSTRUCUTIES VOOR E2G2G, E2G2M, E2G2S, E2G3G, E2G3M, E2G3S en E2G3O GASBARBECUE ASSORTIMENT Everdure by Heston Blumenthal outdoor gasbarbecues. Het is van belang dat u deze instructies, het aankoopbewijs en andere belangrijke documenten over dit product bewaart voor naslag in de toekomst. Vanwege continue productontwikkeling, behoudt Everdure by Heston Blumenthal het recht voor om de specificaties of het uiterlijk te veranderen zonder kennisgeving. Verwijder verpakking verantwoordelijk – recycle waar faciliteiten beschikbaar zijn.

BELANGRIJKE VEILIGHEIDSVORSCHRIFTEN

BELANGRIJK: Lees de veiligheidsvoorschriften in dit boekje zorgvuldig alvorens de barbecue uit het karton te halen of de barbecue op de gastoevoer aan te sluiten. WAARSCHUWING: Toegankelijke delen kunnen erg heet zijn. Houd jonge kinderen op afstand.

- Deze gasbarbecue en standaard zijn **UITSLUITEND BEDOELD VOOR BUITENSHUIS GEBRUIK**. Dit toestel mag **NIET** binnenshuis worden gebruikt.
- Voor uw veiligheid en genot, lees de instructies alvorens het toestel te gebruiken.
- Zorg ervoor dat alle gasaansluitingen strak vastzitten alvorens het toestel te bedienen (raadpleeg de lekkage testprocedure in deze handleiding. Controleer altijd op lekkages wanneer een gascilinder wordt vervangen of opnieuw aangesloten.
- Indien niet bevestigd op de cilinderhaak, plaats gascilinder altijd op een vlak waterpas oppervlak.
- Kinderen of dieren zonder toezicht mogen niet nabij een barbecue komen gedurende koken, opwarmen of afkoelen. Zorg ervoor dat kinderen en dieren op voldoende afstand van de barbecue verwijderd blijven gedurende het gebruik ervan. Zorg ervoor dat jonge kinderen niet spelen met het toestel. Dit toestel is niet bedoeld voor gebruik door jonge kinderen of mindervalide personen.
- Bijzondere zorg dient gedragen te worden bij het verwijderen van de vetopvang en de aluminium wegwerpschalen. Verkeerd omgaan met hete olie en vetten kan serieus letsel toebrengen. Wees voorzichtig bij het verwisselen van borden & grills dat onderdelen niet heet zijn & er geen olie of vet op de brander druppelt. Zorg ervoor dat de openingen/venturi niet geblokkeerd raken.
- Draai gaswaarde/regelknop en gascilinderventiel uit na gebruik. Laat gaan ongebrand gas opbouwen.
- Laat de branders nooit op hoog staan voor meer dan 10 minuten tenzij er daadwerkelijk gekookt wordt. Bij koken met de kap naar beneden, volg altijd de instructies in de Roosten sectie van deze handleiding.
- Verplaats het apparaat niet gedurende gebruik. De barbecue mag enkel wordt opgetild aan de serverplaten aan beiden zijden. Zorg ervoor dat er geen overmatige druk

wordt geplaatst op de gas slang, of draai de gastoevoer uit & verwijder de slang van de cilinder of gasbron (niet van de barbecue). Zorg ervoor dat de vetopvang & aluminium wegwerpschaal verwijderd worden om het morsen van vet/olie te minimaliseren. Het wordt aanbevolen dat beschermende handschoenen worden gedragen bij het verplaatsen van hete onderdelen. Delen die verzegeld zijn door de producent of agent mogen niet gewijzigd worden.

- Deze barbecue is ontworpen voor gebruik op ofwel de bijgeleverde trolley of op een verhoogde plank. Bij gebruik op een verhoogde oppervlakte (tafel etc.), zorg ervoor dat de oppervlakte waterpas is, groot en sterk genoeg om de barbecue te ondersteunen en temperaturen van 60°C boven de omgevingstemperatuur kan weerstaan. Bij gebruik van de standaard, zorg ervoor dat uw barbecue in een waterpas positie staat en de barbecue correct op de standaard is bevestigd (vier schroeven aan de onderkant van de barbecue).
- Personen met ontvlambare kleding zoals nylon etc. dienen voldoende afstand van de barbecue te behouden gedurende gebruik. Dit toestel dient op afstand van ontvlambare materialen gehouden te worden gedurende gebruik.
- Gebruik dit apparaat niet voor enig ander doeleinde dan waarvoor het bedoeld is. Iedere wijziging aan het toestel kan gevaarlijk zijn. Wijzig het toestel niet.
- In geval van brandend vet, zet de cilinder uit. De vetopvang dient gereinigd en gecontroleerd te worden alvorens de barbecue te gebruiken. Aluminium wegwerpschalen dienen verplaatst te worden alvorens de barbecue te gebruiken. Regelmatig schoonmaken vermindert de opbouw van vet en voedselresten wat brandbaar is en kan resulteren in brandend vet. **Brandende vetten kunnen voorkomen worden met zorgvuldigheid bij het reinigen van uw vetopvang en regelmatige vervanging van aluminium folieschalen.** Laat de aluminium folieschalen niet overlopen. Schade als gevolg van vetbrand wordt niet gedekt door uw garantie, en maakt het ongeldig. Gebruik geen zand, kattenbakvulling of vet absorberende middelen in de vetopvang of aluminium wegwerpschaal.
- Zorg ervoor dat het product op voldoende afstand van brandbare materialen staat. Het toestel is ontworpen zodat hitte de standaard niet beïnvloed. Alle brandbare materialen dienen meer dan 250 mm van de zijden en achterkant van de barbecue en meer dan 1500 mm boven het kookoppervlak van de barbecue.
15. Indien een brander een sissend geluid maakt wanneer ontstoken, dan kan het aan de

binnenkant branden. Zet de brander uit, laat afkoelen en steek opnieuw aan. Bescherm uw barbecue tegen sterke wind – indien die niet kan worden voorkomen, controleer altijd dat de branders aanblijven tijdens het gebruik van de barbecue in winderige omstandigheden.

16. Voer zelf geen onderhoud uit aan het gasspruitstuk van de barbecue – dit mag uitsluitend door bevoegde technici te worden uitgevoerd.

17. Wij bevelen aan dat u regelmatig onderhoud uitvoert aan uw barbecue en deze in goede staat houdt. Dit kan worden bereikt door de reinigings- en onderhoudssuggesties in dit boekje op te volgen.

18. Wanneer de standaard niet wordt gebruikt, dient de cilinder op een lager niveau dan de barbecue geplaatst te worden, zo ver verwijderd als de slang toestaat zonder overmatige spanning op de slang, op een beschermde plek (zodat er geen vetspetters tegen aankomen van koken, of per ongeluk omvalt). Bij gebruik van de standaard, hang de gascilinder aan de cilinderhaak. Indien dit niet mogelijk is (vanwege de vorm of maat van de cilinder), plaats de gascilinder naast of achter het toestel, op een veilige plek bescherm van vetspetters.

19. Dit toestel is niet geschikt voor bevestiging op een verplaatsbaar voertuig (boot, trailer, etc.).

20. Dit apparaat dient niet te worden gebruikt of opgeslagen in gebieden met een hoog zoutgehalte, (mariene omgeving) of een gebied met bijtende gassen of vloeistoffen (zoals een zwembad bij het huis), aangezien deze chemicaliën de materialen van het toestel kunnen aantasten (en de garantie ongeldig maken). Regelmatige reiniging en bedekking met een Everdure by Heston Blumenthal barbecuecover kan dit helpen voorkomen.

21. Gebruik enkel een goedgekeurde gas slang gecertificeerd door een toepasselijke EN standaard van minder dan 1.5 m. Voor Finland mag de slanglengte niet langer dan 1.2 m zijn. De gasregelaar dient gecertificeerd te zijn overeenkomstig EN16129 (stroomsnelheid max. 1.5 kg/u). Deze dient te worden aangesloten volgens lokale regelgeving. Plaats slangklemmen en draai vast. Laat de slang niet knikken of draaien gedurende installatie en gebruik. Vervang met een nieuwe slang indien lekkage/blokkade wordt gesignaleerd. Het wordt aangeraden dat de slang iedere 3 jaar wordt vervangen.

GEGEVENS VAN APPARAAT

Opmerking: De afmeting van de injector diameter is geprint op een van de zeshoekige zijden (bijv. '165' voor Ø1.65 mm injector).

MODEL AANDUIDING	BESTEMMINGSLANDEN	WARMTE-TOEVOER	BRANDERS	INJECTOR MAAT	GAS CATEGORIE	TYPE GAS
FORCE™	BE, FR, IT, LU, IE, GB, GR, PT, ES, CY, CZ, LT, SK, CH, SI, LV	2x3.9kW	2	φ0.95mm	I 3+(28~30/37)	Butaan op (28~30) mbar/ Propaan op 37 mbar
	LU, NL, DK, FI, SE, CY.CZ, EE, LT, MT, SK, SI, BG, IS, NO, TR, HR, RO, IT, HU, LV	2x3.9kW	2	φ0.95mm	I 3B/P(30)	Butaan, Propaan en mengsels ervan op 30mbar
	AT, DE, CH, LU, SK	2x3.9kW	2	φ0.83mm	I 3B/P(50)	Butaan, Propaan en mengsels ervan op 50mbar
FURNACE™	BE, FR, IT, LU, IE, GB, GR, PT, ES, CY, CZ, LT, SK, CH, SI, LV	3x3.2kW	3	φ0.85mm	I 3+(28~30/37)	Butaan op (28~30) mbar/ Propaan op 37 mbar
	LU, NL, DK, FI, SE, CY.CZ, EE, LT, MT, SK, SI, BG, IS, NO, TR, HR, RO, IT, HU, LV	3x3.2kW	3	φ0.85mm	I 3B/P(30)	Butaan, Propaan en mengsels ervan op 30mbar
	AT, DE, CH, LU, SK	3x3.2kW	3	φ0.74mm	I 3B/P(50)	Butaan, Propaan en mengsels ervan op 50mbar

PIN CODE: 2531CS-0109

Barbecue	FORCE™			FURNACE™		
	LENGTE (mm)	BREEDTE (mm)	HOOGTE (mm)	LENGTE (mm)	BREEDTE (mm)	HOOGTE (mm)
Enkel barbecue	1170	515	410	1310	515	410
Barbecue en standaard	1170	750	1170	1310	750	1170

Lucht wordt toegelaten aan de onderkant van de verbrandingskamer twee 35 mm x 20 mm gaten tussen de vetopvang en de kamer via een ovalen gat van 75 mm x 135 mm). Uitlaatgassen worden uitgestoten rond de rand van de platen (6 mm gat) en door een 275 mm x 40 mm sleuf aan de achterkant van de kap. Bij gebruik van een open grill vindt beluchting ook plaats door de gleuven van de grill. Brander beluchting 17,8 mm x 5 mm beide zijden.



BEDIEN DIT APPARAAT NIET VOOR HET LEZEN VAN HET INSTRUCTIEBOEKJE

PLAATS GEEN ARTIKELN OP OF TEGEN DIT TOESTEL

BEWAAR GEEN CHEMICALIËN OF ONTVLAMBARE MATERIALEN OF SPRAYBUSSEN NABIJ DIT TOESTEL

GEBRUIK DIT APPARAAT NIET BINNENSHUIS

SLUIT DIT TOESTEL NIET IN. DE MINIMALE VRIJE RUIMTE VOOR DIT UNIT IS 1500 mm BOVEN HET KOOKOPPERVLAK EN 250 mm AAN IEDERE ZIJDE

ONTSTEEK NIET MET DE KAP NAAR BENEDEN

GASAANSLUITINGEN BUTAAN & PROPAAAN GASVEREISTEN

Controleer Type Gas en specificaties plaat aan de onderkant van de RHS serveerplaat.

ALVORENS AANSLUITING GASCILINDER

1. Voor optimale prestatie van uw barbecue dient een goedgekeurde gascilinder/-fles gebruikt te worden.
2. Sluit geen gascilinder/-fles op de barbecue aan die niet bevestigd is in de geleverde standaard of op een stabiel verhoogd oppervlak. De cilinder dient lager dan de barbecue te zijn, op een beschermd plek op een stabiel oppervlak.
3. Alvorens de gastoevoer aan te sluiten, zorg ervoor dat alle gasregelknoppen in de **Off**-positie staan. Controleer dat alle verbindingen veilig zijn.

OPMERKING: Slechts één gascilinder dient tegelijkertijd op de standaard te worden opgeslagen.

TESTEN OP LEKKAGE

1. Zorg ervoor dat de gasregelknop op **Off** staat en zet het cilinderventiel **Aan**.
2. Controleer op lekkende verbindingen door te borstelen met een oplossing van half vloeibaar wasmiddel en half water. Indien er een lek is, zullen er belletjes verschijnen (of u kunt een sissend geluid horen). Verbindingen opnieuw vastdraaien kan doorgaans een lekkende verbinding repareren. U dient ook de gas slang en verbinding bij de gascilinder te controleren. Indien een lek niet kan worden opgelost, ga niet verder en zet de gascilinder/-fles uit.



GEBRUIK GEEN OPEN VLAM VOOR HET LOCALISEREN VAN GASLEKKEN. INDIEN EEN LEK AANHOUDT, BEL EEN BEVOEGDE GASINSTALLATEUR

GASCILINDER

Voor bevestiging aan de cilinderhaak, is de maximale hoogte van de gascilinder 500 mm niet overschrijden, en de maximale diameter 320 mm. Indien groter, plaats de cilinder op een vlak waterpas oppervlak waar het cilinderventiel toegankelijk is, de slag niet in contact komt met scherpe randen of hete oppervlakken, en waar geen overmatige spanning wordt geplaatst op de slang. Zorg ervoor dat de gascilinder en de geleiding van de goedgekeurde slang de trolley of het toestel of andere warme/scherpe oppervlakken niet raakt. Wissel de gascilinder altijd op afstand van alle ontstekingsbronnen.

INSTALLATIEGIDS BUITENSHUIS

Dit toestel dient enkel gebruikt te worden in een bovengrondse openlucht situatie met natuurlijke ventilatie, zonder stilstaande gebieden, waar gaslekkages en verbrandingsproducten snel uiteengedreven worden door wind en natuurlijke convectie.

Dit toestel mag niet binnenshuis worden gebruikt. Gebruik uw barbecue niet in garages, veranda's, schuren of andere afgesloten plekken. De barbecue is niet bedoeld voor installatie of gebruik op recreatieve voertuigen (bijv. boten, campers) en dient niet nabij of onder enig oppervlak geplaatst te worden dat brandbaar is of gevoelig voor hitte. Blokkeer/belemmer luchtstroom en verbranding rond de barbecue behuizing niet gedurende gebruik.

BEDIENINGSINSTRUCTIES

ALGEMENE INSTRUCTIES

Een redelijk beschermde locatie is wenselijk voor plezierig en efficiënt koken. Probeer de barbecue te beschermen tegen sterke wind aangezien dit de kookefficiëntie drastisch zal verlagen. Indien dit onvermijdelijk is, positioneer de lange kant van de barbecue parallel met de richting van de wind. Houdt de barbecue waterpas. Controleer regelmatig dat de brander blijft branden bij gebruik in omstandigheden met sterke wind (door het kijkgat aan de linkerkant van het onderstel of door de open grills). Controleer dat de minimumafstanden van de barbecue tot muren of brandbare oppervlakken worden aangehouden, en dat bij gebruik zonder de standaard, het ondersteunend oppervlak de warmte kan verdragen. Bij gebruik van de standaard, zorg dat de positie van de barbecue is vergrendeld door middel van de vergrendelingen op de wielen & de slang geen heet oppervlak raakt.

TYPE GAS EN VERBRUIK

De barbecues zijn enkel ontworpen om te werken op Propaangas en/of Butaangas. Gasverbruik, gasdruk en injectoropening formaten worden getoond op het informatie-etiket te vinden onder de rechter serveerplaat.

GASREGELKNOP

De gasregelknop vergrendeld in zowel de **Off** en de **High** positie. Door de knop in te drukken en tegen de klok in te draaien, wordt de gasstroom langzaam groter tot de **High** positie wordt bereikt. Draai verder in deze richting en de gasstroom wordt kleiner totdat een sudderniveau is bereikt bij **Low**. Om de gasstroom uit te zetten, dient te gasregelknop met de klok mee van **Low**, ingedrukt bij **High** en gedraaid tot de **Off**-positie is bereikt.

MATTE GLASACHTIGE GIETIJZEREN OPEN GRILL EN VASTE PLAAT

De FORCE™ 2 branders en FURNACE™ 3 branders barbecues zijn voorzien van open grills. Een vlakke, vaste plaat is beschikbaar als een accessoire voor de FURNACE™ voor de rechterkant (dit is de aanbevolen algemene grill en plaat opstelling die de warmtestroom over de regelknoppen zal verminderen. Voor de FURNACE™ 3 branders barbecue is een centrale teppanyaki plaat of een platte, vaste plaat voor de rechterzijde mogelijk. Merk op dat de grills en platen gebruikt op een van de twee barbecues niet op het andere model gebruikt kunnen worden en een maximum van één grillplaat mag tegelijkertijd voor een plaat worden verwisseld (slechts één plaat geïnstalleerd).

De open grills hebben een vaste gietijzeren lijn ingebouwd in de bodem van de grill om de brander te beschermen tegen vallende olie of voedsel. De grills zijn bevestigd op de steunen ingebouwd aan de binnenkant van het onderstel. Wanneer correct geplaatst dient er 5-6 mm ruimte tussen de grills, en de binnenste rand van het onderstel te zijn. Al het overtollig vet of vloeistof zal in het onderstel vloeien en door de barbecue in de vetopvang en folieschaal onder het onderstel druppelen. Indien de brander geblokkeerd raakt, laat de barbecue afkoelen & maak de brander schoon met een draadborstel. Voor een lijst van accessoires, ga naar de Everdure by Heston Blumenthal website.

OPMERKING: De email coating kan worden beschadigd door stalen keukengerei. Schade aan platen en grills vanwege het gebruik van metalen of scherpe objecten zal niet worden gedekt door de garantie. Het wordt aanbevolen om siliconen kookgerei te gebruiken aangezien deze zowel hygiënisch zijn en bestand tegen hoge temperaturen.

VET OPVANG

Voorafgaand aan gebruik, controleer dat de vetopvang schoon is en uitgelijnd met een wegwerp folieschaal. Gebruik enkel folieschalen geleverd voor de barbecue, aangezien schalen van een ander formaat of hoogte problemen met beluchting van de barbecue kunnen veroorzaken, of morsend vet en olie. Zorg ervoor dat de vetopvang montage volledig onder de barbecue is geïnstalleerd voorafgaand aan gebruik van het toestel.

ONDER GEEN ENKELE OMSTANDIGHEID MAG ER ZAND, KATTENBAKVULLING OF VET ABSORBERENDE MIDDELEN IN DE VETOPVANG OF FOLIESCHAAL WORDEN GEBRUIKT.

ROOSTEREN

Roosteren (of de barbecue laten werken met de kap naar beneden) mag niet gedaan worden met alle regelknoppen op **High**. Dit is van groot belang aangezien er ernstige oververhitting en bedorven voedsel kan ontstaan indien deze voorschriften niet worden opgevolgd. Roosteren kan het best worden uitgevoerd met een verhoogd rooster, zoals het Everdure by Heston Blumenthal rooster HBROASTR, dat de verwarmde lucht laat circuleren rond het vlees, en vetten laat wegdruppelen van het vlees.

Zet de barbecue altijd op met de standaard volledige grillcombinatie zoals uiteengezet in de montage-instructies. Snij een stuk folie af dat iets groter is dan het rooster en plaats het in het midden van de barbecue bovenop de grills. Snij een aantal gleuven in het folie zodat overmatig vocht en vetten door de grills heen kunnen stromen. Plaats het rooster centraal op het folie. Verwarm de barbecue voor met de kap naar beneden en de buitenste gasregelaars op **High** (voor FURNACE™ barbecues, **laat de middelste regelknop uit**).

Heeft de barbecue eenmaal ~180°C bereikt, open de kap, plaats het voedsel op het rooster, doe de kap dicht en draai de regelknoppen naar **Low** (deze kunnen worden aangepast tijdens het roosteren om de interne temperatuur stabiel te houden, aangezien weersomstandigheden zoals temperatuur en windsnelheid de efficiëntie van de barbecue zullen beïnvloeden). Controleer het voedsel dat geroosterd wordt regelmatig totdat het gaar is.

DE SERVEERPLAAT

De serveerplaat aan de linkerhand kan worden neergeklapt voor gemakkelijkere opslag (de serveerplaat aan de rechterhand met de gasregelaars zit vast en kan niet worden aangepast). Met de barbecue uit en afgekoeld, plaats uw linkervoet voor de poot linksachter om de barbecue te stabiliseren en trek de serveerplaat naar voren om deze te ontgrendelen van de barbecue. Met de serveerplaat volledig uitgestrekt, roteer naar beneden en laat los. Zie stap 9 van de Barbecue en standaard montageprocedure voor illustraties.

NA HET KOKEN

1. Wanneer u klaar bent, zorg ervoor dat de brander regelknoppen op **OFF** staan.
2. **DRAAI DE GASTOEVOER UIT OP DE GASCILINDER NA GEBRUIK.**
3. Na het koken, en terwijl de barbecue nog warm is, verwijder resten van de grill met een niet-metalen schraper.
4. Overtollig vet en vleesresten kunnen van de binnenkant van het onderstel worden geschraapt door de grill/plaat te verwijderen om toegang te krijgen.
WAARSCHUWING: Sommige oppervlakken kunnen nog steeds heet zijn – gebruik beschermende handschoenen.
5. Maak de vetopvang schoon en vervang de aluminium folieschaal na of voor ieder gebruik van het toestel.
6. Wanneer de barbecue is afgekoeld kunt u de kap dichtdoen en eventuele vetspetters van de standaard vegen met een schone doek.

ONSTEKINGSPROCEDURE



LEES ALLE BEDIENINGSINSTRUCTIES ALVORENS HET TOESTEL TE ONTSTEKEN

OPEN KAP VOOR ONTSTEKING

ZORG ERVOOR DAT DE REGELKNOP OP DE 'OFF' POSITIE STAAT EN OPEN VENTIEL VAN CILINDER/FLES

ZORG ERVOOR DAT DE GRIL EN PLAAT OP DE JUISTE POSITIES VOOR KOKEN STAAN

DE BARBECUE AANSTEKEN MET GEBRUIK VAN DE INGEBOUWDE ONTSTEKING OP DE REGELKNOPPEN

De FORCE™ en FURNACE™ barbecues hebben een roterend ontstekingsstelsel ingebouwd in de gasventielen, gebruikt door de ingebouwde regelknoppen in de serveerplaat aan de rechterhand. Om een brander te ontsteken, druk de juiste regelknop in en draai langzaam tegen de klok in. Dit laat gas vrij in de brander. Wanneer de knop het ontstekingsymbool bereikt op het regelpaneel, zal een vonk het gas ontsteken in de brander. De knop kan dan verder worden gedraaid naar "**High**" en losgelaten, of aangepast naar de juiste temperatuurinstelling.

Indien de brander niet ontsteekt, draai de regelknop naar de "**Off**" positie en probeer opnieuw. Indien er na 5 pogingen nog geen ontsteking is, laat de barbecue uit en probeer opnieuw na 5 minuten.

Er zijn 2 regelknoppen aanwezig op de FORCE™ barbecues en 3 regelknoppen op de FURNACE™ barbecues (een voor iedere brander onder een plaat of grill). De regelknop aan de achterkant regelt de linker brander. De centrale regelknop (enkel FURNACE™ barbecue) regelt de middelste brander.

REINIGING & OPSLAG

EXTERNE REINIGING

Voorafgaand aan het reinigen van de buitenkant van de barbecue en standaard, zorg ervoor dat het toestel is afgekoeld en veilig is om aan te raken. Geverfde en plastic oppervlakken kunnen gereinigd worden met een mild huishoudschoonmaakmiddel en een schone doek (gebruik geen schurende middelen of agressieve schoonmaakmiddelen). **Het wordt aangereden om schoonmaakmiddelen eerst te testen op een kleine sectie van het toestel. Gebruik NOOIT** verfverduuners of vergelijkbare oplosmiddelen voor reiniging en giet **NOOIT** koud water over hete oppervlakken. Droog het oppervlak naderhand.

INTERNE REINIGING

Voorafgaand aan het reinigen van de interne delen van uw barbecue, zorg ervoor dat het toestel is afgekoeld en veilig is om aan te raken. De binnenkant van de kap kan gereinigd worden door gebruik van wat water, mild schoonmaakmiddelen en een spons of mild schuursponsje. Het antiaanbaklaag oppervlak van de kookplaat dient eerst zorgvuldig gereinigd te worden om krassen op het oppervlak te voorkomen, bij voorkeur wanneer het oppervlak nog warm is. Voor lastig schoon te maken gebieden, gebruik een beetje zuiveringszout op een natte spons. Gebruik geen schuurmiddelen.

WAARSCHUWING! De oppervlakken van de platen kunnen zeer heet zijn. Zorg ervoor dat beschermende handschoenen worden gedragen.

OPSLAG

Wanneer het toestel niet in gebruik is, dient het cilinderventiel op Off gezet te worden. De barbecue, standaard en cilinder dienen gezamenlijk buitenshuis te worden opgeslagen op een goed geventileerde plek. Het is toelaatbaar om het toestel binnenshuis te bewaren (maar niet de cilinder). Zorg ervoor dat het kookoppervlak schoon is voorafgaand aan opslag.



**BEWAAR CILINDER OP EEN GOED GEVENTILEERDE PLEK
BUITEN BEREIK VAN KINDEREN**

Wanneer de gascilinder wordt losgekoppeld, vervang de plug of kap op de ventieluitgang. Voor langdurige opslag wordt het aangeraden dat de primaire luchtpoorten van branders worden afgedekt tegen binnendringen van insecten of ongedierte. Spinnen en kleine insecten kunnen spinnenwebben of nesten maken in de rails/slangen van branders, wat tot belemmering van het gas en de luchtstroom kan leiden, resulterend in brand in en rondom de rails/slangen van de brander. Dit type brand wordt terugslaan genoemd en kan uw barbecue ernstig beschadigen en onveilige werkingsomstandigheden creëren. Ter voorkoming hiervan, inspecteer en reinig de branders regelmatig. Gebruik een Everdure by Heston Blumenthal FORCE™ of FURNACE™ barbecue cover voor extra bescherming en om dit te beperken.

PROBLEEMOPLOSSING

Brander ontsteekt niet bij gebruik van de ontsteking:

Cilinderventiel is niet open	Draai cilinderventiel open.
Cilinder is leeg	Vervang met een volle cilinder/fles.
Ontsteking vonkt niet	Verwijder grill/plaat en controleer of er een vonk te zien is in de ontsteking box. Controleer dat de kabels naar het ontstekingspunt, of van het ventiel naar het onderstel, niet gebroken of losgekoppeld zijn. Controleer ook de aansluiting van de vonk. Indien er geen vonk is, neem contact op met een serviceprovider.
Injector is geblokkeerd	Reinig injector met een tandenborstel. Boor het er niet uit en gebruik geen draad. Verwijder de injector niet. Neem contact op met een serviceprovider.

Burner flame is erratic:

Brander is geblokkeerd	Verwijder kookoppervlakte en controleer brander op obstructie. Maak poorten schoon.
Vlam brandt binnenin de brander (sissend geluid)	Zet brander uit, laat afkoelen en ontsteek opnieuw volgens instructies.
Regelaar is defect	Neem contact op met een serviceprovider.
Injector is gedeeltelijk geblokkeerd	Reinig injector met een tandenborstel. Boor het er niet uit en gebruik geen draad. Verwijder de injector niet. Neem contact op met een serviceprovider.

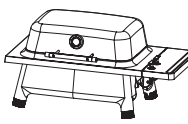
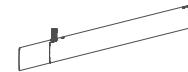


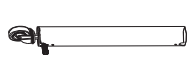



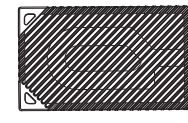

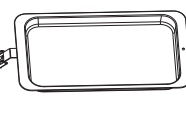
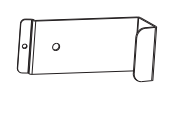

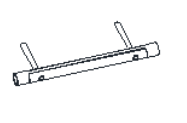
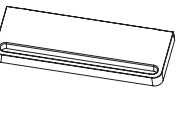
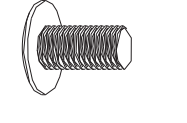
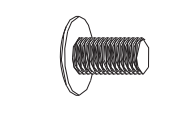



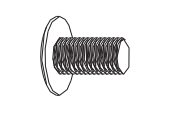


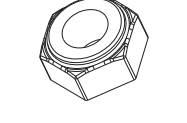

Gas lekt van verbindingen:

Verbindingen zijn los	Draai losse verbindingen vast (niet te vast) en test op lekkage onder druk met zeepwater oplossing (pagina 7).
Slang is aangetast	Neem contact op met een serviceprovider – vervang.
Gasventiel is defect	Neem contact op met een serviceprovider.
Draden zijn beschadigd	Neem contact op met een serviceprovider.

MONTAGE BARBECUE EN STANDAARD

De barbecue en kap worden volledig gemonteerd geleverd. Voor montage dient eerst de standaard gebouwd te worden (opmerking: vanwege transportredenen is de barbecue aan de standaard vastgeschroefd verpakt, en dient los gemaakt te worden voorafgaand aan montage van de standaard). De barbecue wordt terug in de standaard geplaatst nadat deze gemonteerd is en opnieuw vastgeschroefd (en kan worden verwijderd om op een verhoogd oppervlak te koken). Enkel een middelgrote schroevendraaier is benodigd. Open het karton aan de bovenkant en verwijder de onderdelen. Verwijder alle verpakking (controleer in het bijzonder de binnenkant van het barbecueonderstel. Controleer op eventuele beschadigde of ontbrekende onderdelen (indien aangetroffen, neem contact op met uw serviceprovider).

INBEGREPEN ONDERDELEN FORCE™ EN FURNACE™

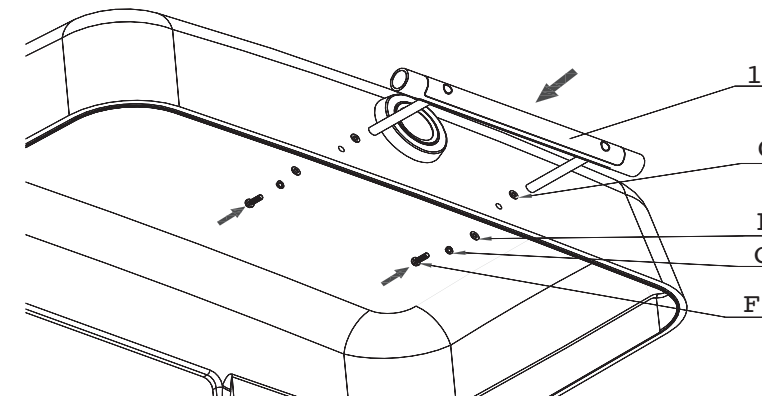
01/ Kap, barbecueonderstel en 01B bovenkant standaard montage x 1St	02 / Linker voorpoot x 1St	03 / Linker achterpoot x 1St	04 / Rechter voorpoot x 1St	05 / Rechter achterpoot x 1St	06 / Onderplank steun x 2St	07 / Onder plank x 1St	08 / Gietijzeren grill x 2St (enkel FORCE model)
							
09 / Gietijzeren midden grill x 1St (enkel FURNACE model)	10/ Gietijzeren grill x 2St (enkel FURNACE model)	11 / Vetopvang x 1St	12 / Cilinderhaak x 1St	13 / Gascilinder steunketting x 1St	14/ Kap Handgreep x 1St	15/ linker zijtafel x 1Pc	A / Bout M6 x 12 x 11St
							
B / Bout M5 x 12 x 4St	C / Veerring Ø5 x 6St	D / Veerring Ø6 x 5St	E / Platte ring Ø6 x 4St	F / Bout M5 x 15 x 2St	G / Platte ring Ø5 x 2St	H / Moer M6 x 1St	I / Bout M6 x 85 x 2 stuks
							
J / Scharnierveer x 2 stuks							
							

VERPAKKING

Verwijder al het interne karton en verpakkingsmateriaal van binnenin de barbecue/kap montage. Verwijder al het externe verpakkingsmateriaal en verwijder het toestel uit de verpakkingsbasis voorafgaand aan gebruik. Recycle overeenkomstig uw lokale wetgeving van de overheid.

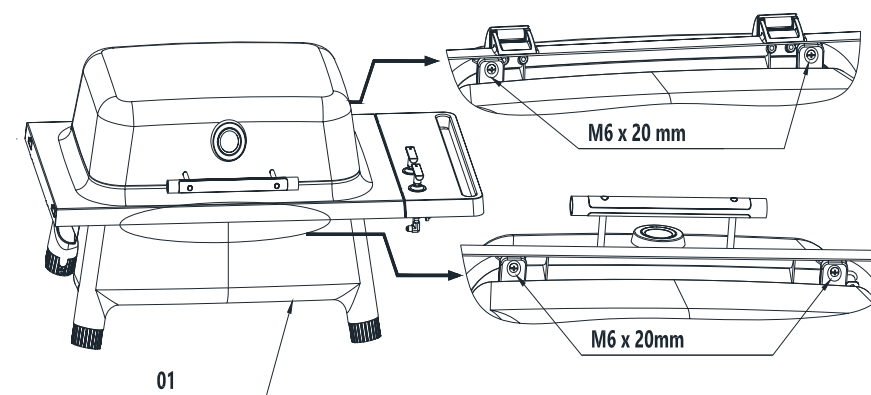
STAP 01

/ Open de kap en zet de kap handgreep (14) vast met gebruik van twee M5x15mm schroeven (F), twee Ø5mm veerringen (C) en twee Ø5mm platte ringen (G). Draai vast op de plaats.

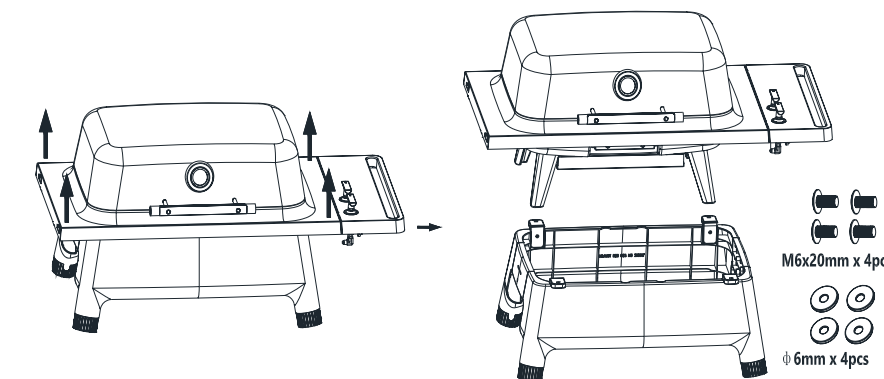


STAP 02

/ De montage van de kap en het barbecueonderstel worden vastgeschroefd aan de bovenkant van de standaard vervoerd, door vier M6x20mm schroeven en vier Ø6mm veerringen (twee aan de voorkant en twee aan de achterkant). Alvorens de standaard op te bouwen, dient de bovenkant van de standaard verwijderd te worden.

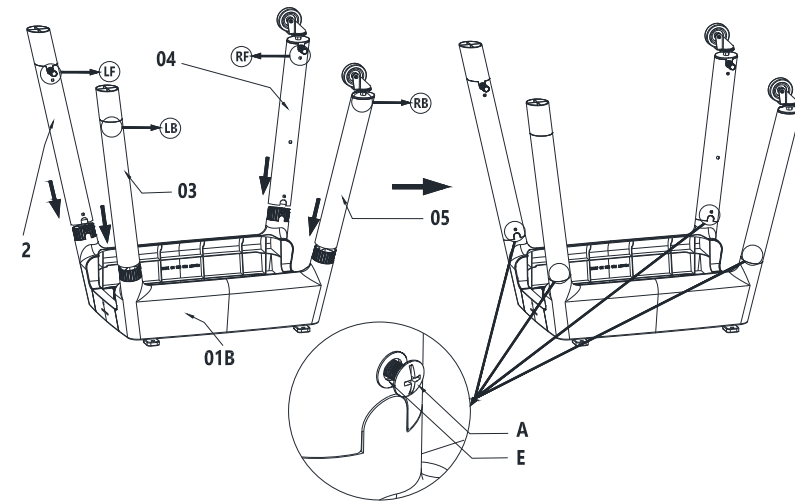


Kantel de montage licht naar achter en verwijder beide M6x20mm schroeven, doe dan hetzelfde aan de voorkant, de onderdelen ondersteunend zodat ze niet vallen. Bewaar alle bevestigingsmiddelen voor later gebruik. Verwijderbare stickers aan de voor- en achterkant markeren de posities van deze schroeven. Verwijder de kap en barbecueonderstel montage van de bovenkant van de standaard en plaats op de grond.

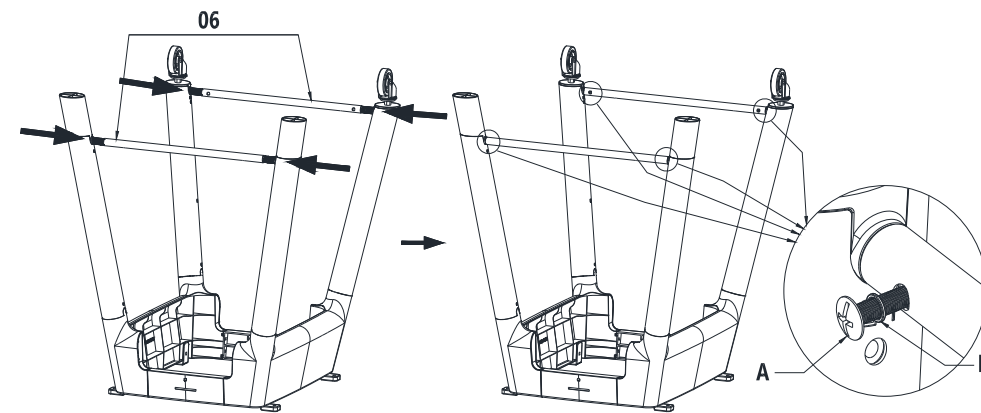


STAP 03

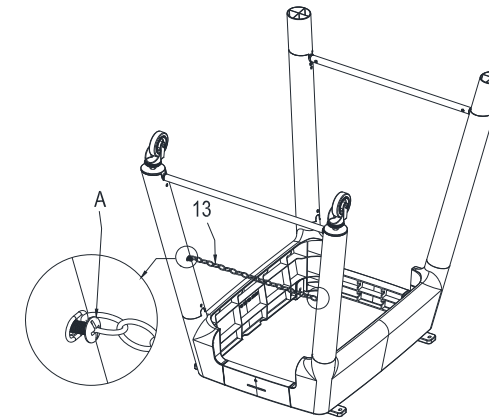
/ Neem de bovenkant van de standaard (01B) en plaats het ondersteboven (poten naar boven) op een schoon oppervlak (opmerking: er is geen voor- of achterkant voor dit gedeelte). Neem de rechter voorpoot (04 met een schroefgat in de voet) en plaats over het uitstekende deel op de hoek rechtsachter. Schroef op zijn plaats met gebruik van een M6 x 12mm schroef (A) en platte ring (E), maar draai niet vast. Neem de rechter achterpoot (05 met een schroefgat in de voet) en plaats over het uitstekende deel op de hoek rechtsvoor. Schroef op zijn plaats met gebruik van een M6 x 12mm schroef (A) en platte ring (E), maar draai niet vast. Neem de linker voorpoot (02) en plaats over het uitstekende deel op de hoek linksachter. Schroef op zijn plaats met gebruik van een M6 x 12mm schroef (A) en platte ring (E), maar draai niet vast. Neem de linker achterpoot (03) en plaats over het uitstekende deel op de hoek rechtsvoor. Schroef op zijn plaats met gebruik van een M6 x 12mm schroef (A) en platte ring (E), maar draai niet vast.

**STAP 04**

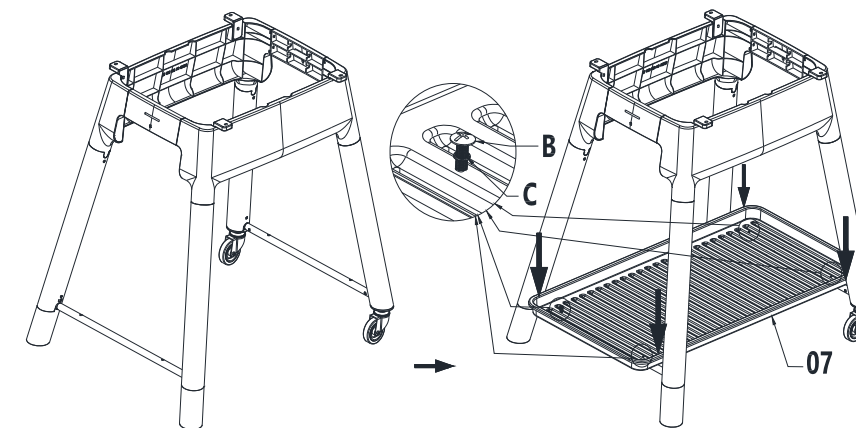
/Neem de twee onderplank steunen (06) en plaats deze in de cilindervormige lipjes aan de binnenkant van iedere poot. Roteer elke zodat de buitenste schroefgaten naar binnen wijzen en de binnenste schroefgaten naar de bovenkant van de standaard wijzen (indien niet het geval, trek eruit en plaats andersom). Schroef op zijn plaats met vier M6x12mm schroeven (A) en veerringen (D). Wanneer deze allemaal zijn gemonteerd, draai alle vier schroeven vast, en de schroeven van stap 02.

**STAP 05**

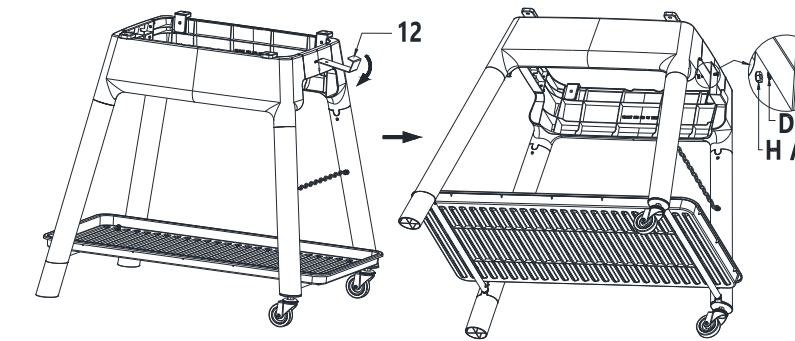
/Er zijn twee draadgaten aan de binnenkant van de rechter poten. Neem de steunketting (13) en schroef vast aan de twee poten met twee M6x12mm schroeven (A). Draai volledig vast.

**STAP 06**

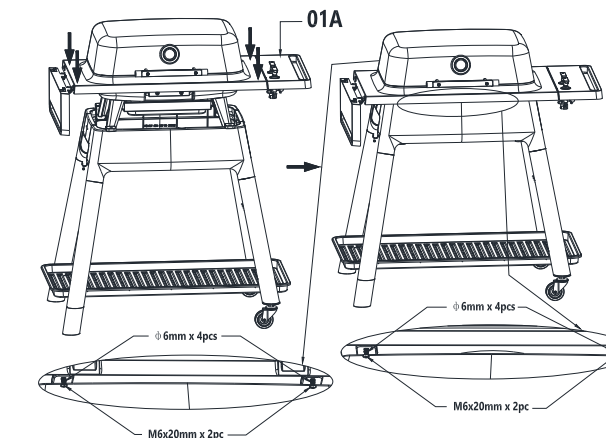
/Draai de standaard op de poten en controleer dat alle poten stabiel zijn. Neem de plastic onderplank (07) en plaats deze op de twee onderplank steunen. Plaats de vier gaten in de onderplank gelijk met de draadgaten in de onderplank steunen en schroef op de plaats met gebruik van vier M5x12mm schroeven (B) en vier veerringen (C). Draai volledig vast.

**STAP 07**

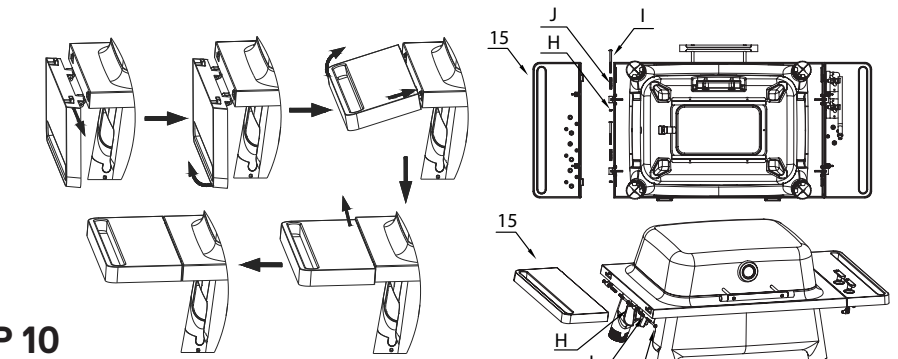
/Duw de vlakke rand van de cilinderhaak (12) in de gleuf aan de bovenkant van de standaard (boven de rechter poten en wielen) omhoog tot de scherpe hoek, en roteer dan naar beneden totdat de haak tegen de zijkant van de bovenkant van de standaard aankomt. Zet vast met een M6x12mm schroef (A), M6 borgmoer (H) en veerring (D). De standaard is nu compleet.

**STAP 08**

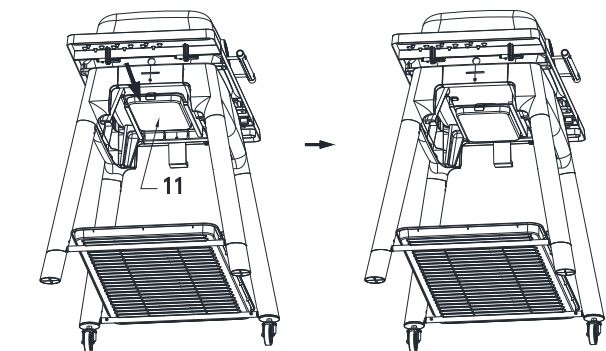
/Positioneer de standaard het de wielen naar rechts. Twee personen dienen de barbecue en kap montage op te tillen (01A) aan de serveerplaten, en deze in de standaard te plaatsen (naar voren wijzend, wielen aan de rechterkant). Zet de barbecue vast aan de bovenkant van de standaard met de vier M6x20mm schroeven en M6 veerringen verwijderd bij stap 01 – twee aan de voorkant en twee aan de achter. Draai volledig vast.

**STAP 09**

/Om de linker zijtafel (15) aan het BBQ (01B) te bevestigen, ondersteunt u de linker zijtafel en lijn de plaatsbepalingslipjes uit met de sleutelgaten en schuif de linker zijtafel achteruit (ongeveer 1 cm). Plaats veer (H) op M6 x 85 mm schroef (G) en zet vast met M6 Moer (C).

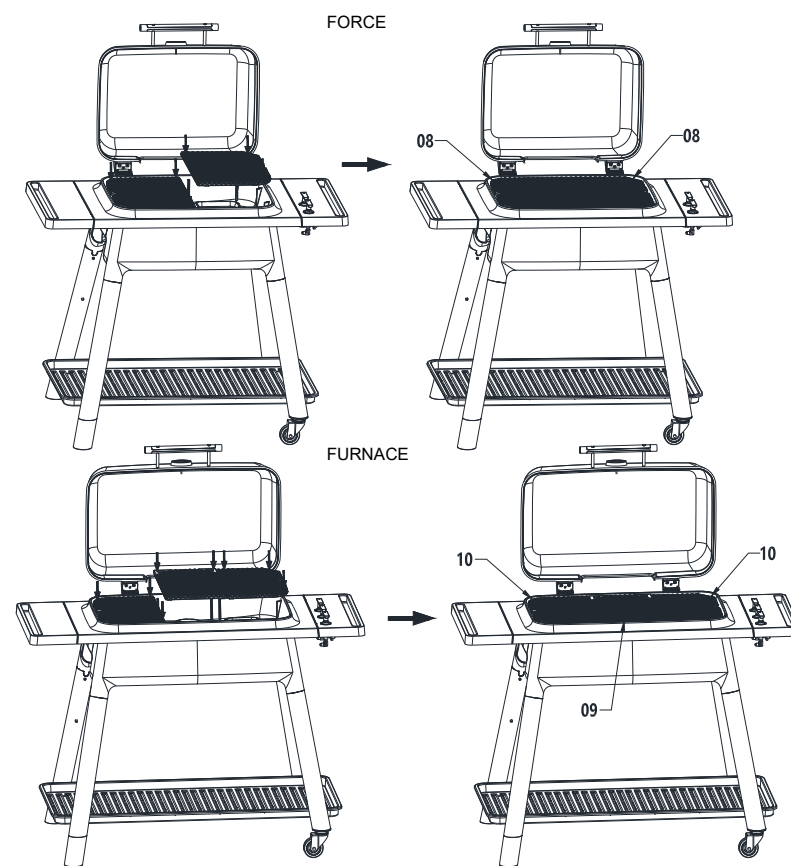
**STAP 10**

/Plaats de vetopvang (11) en wegwerp folieschaal in de beugels aan de onderkant van de barbecue. Zorg ervoor dat de vetopvang correct wordt geplaatst.

**STAP 11**

/Plaats de grills op de barbecue zoals getoond in de illustraties. Iedere grill dient 5-6mm ruimte aan iedere zijde te hebben. Iedere grill wordt in een groef geplaatst op een plaatsteun.

*Vanwege continue wijzigingen in het ontwerp kunnen de steunbeugels permanent zijn aangebracht op het element



STAP 12

/ Verbind een goedgekeurde slang en/of regelaar aan het inlaatspruitstuk (indien niet reeds aangesloten). Hang de gascilinder aan de steunhaak (12) en laat deze tegen de steunketting leunen. Verbind regelaar aan de gascilinder/-fles en test op lekkages (overeenkomstig de gasaansluiting instructies). Controleer dat alle verbindingen vastzitten en alle regelknoppen uitstaan alvorens de gastoevoer aan te zetten en te testen op lekkages.

ONDERHOUD

Het wordt aanbevolen dat bij aanvang van ieder barbecueseizoen het volgende onderhoud wordt uitgevoerd.

BRANDER

1. Borstel de buitenkant van branders af met een harde borstel om roest en vuil te verwijderen. Zorg ervoor dat alle poorten open zijn.

GASTOEVOER

1. Inspecteer de gastoevoerslang op aantasting en vervang indien nodig.
2. Test het gascircuit op lekkages en herstel indien aangetroffen.

BARBECUE EN KAP

1. Veeg de buitenkant van de barbecue en kap af met een schone doek.

STANDAARD

1. Controleer alle bevestigingsmiddelen op vastheid en draai opnieuw vast waar nodig om de stijfheid van de structuur te garanderen.
2. Veeg de barbecuestandaard af met een schone doek. Voeg een beetje olie of vet toe aan bewegende delen.

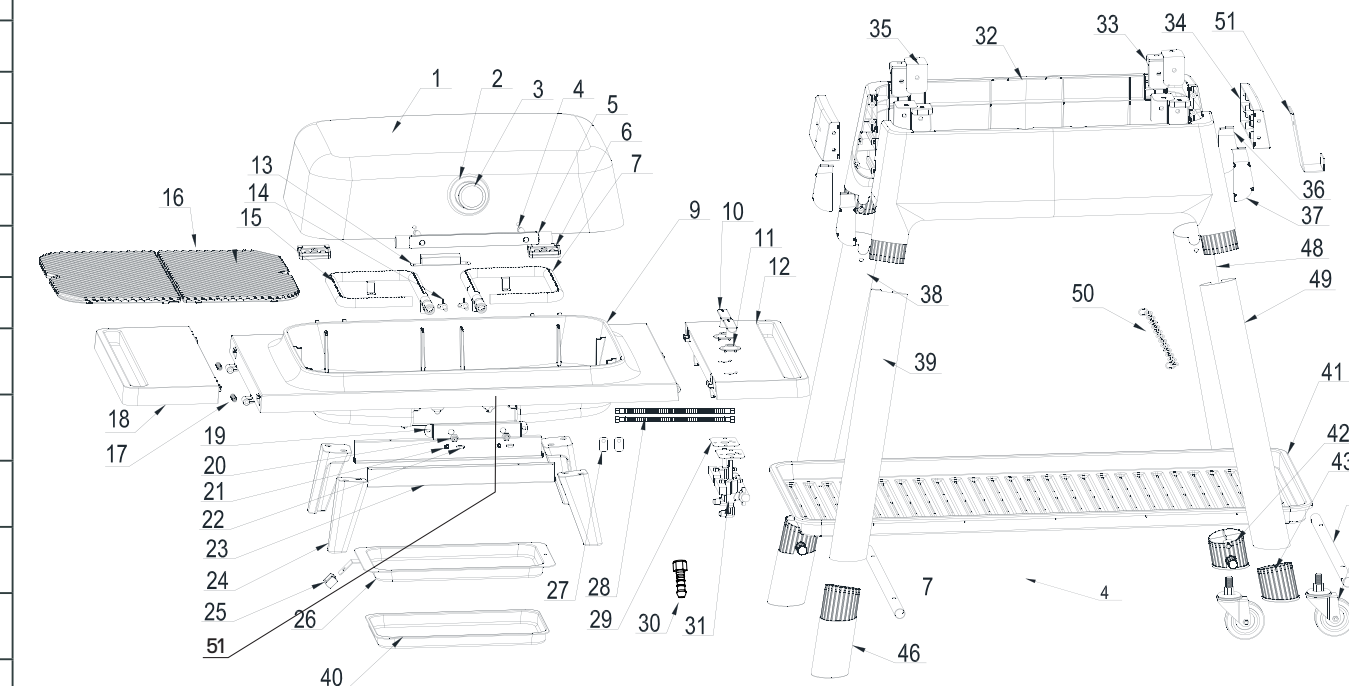
Indien verbonden aan de barbecue, controleer dat de schroeven die de barbecue en standaard samenhouden allemaal bevestigd zijn en vastzitten. Slijtage van deze barbecue kan worden beperkt door een barbecue cover te gebruiken en deze op te slaan beschermd tegen weersinvloeden wanneer niet in gebruik.

ONDERDELENLIJST: FORCE™ BARBECUES

	ONDERDEELNAAM	AANTAL
1	Kap E2G2 (Mint)	1
	Kap E2G2 (Steen)	1
	Kap E2G2 (Grafiet)	1
	Kap E2G2 (Rood)	1
2	Temperatuurmeter Plaatje	1
3	Temperatuurmeter	1
4	Kap Handgreep Spreider	2
5	Kap Handgreep	1
6	Scharnier	2
7	Brander Rechterhand (E2G2)	1
8	IJzerwaren kit (niet getoond)	1
9	Barbecue Onderstel (E2G2)	1
10	Regelknop	2
11	Regelknop Plaatje	2
12	Serveerplaat Rechterhand (E2G2)	1
13	Gasontsteking Kruisingbox (E2G2)	1
14	Electrode (E2G2)	2
15	Brander Linkerhand (E2G2)	1
16	Open Grill (E2G2)	2
17	Veer Serveerplaat	2
18	Serveerplaat Linkerhand	1

19	Injector Beugel (E2G2)	1
20	Injector Behuizing	2
21	Injector (E2G2)	2
22	Injector Behuizing Moer	2
23	Vetopvang Beugel (E2G2)	2
24	Barbecue Onderstel Voeten	4
25	Vetopvang Omslag Handgreep	1
26	Vetopvang	1
27	Gaslang Steun	2
28	Gaslang (E2G2)	2
29	Steun Ventiel	2
30	Verbindingsstuk	1
31	Bovenkant Standaard Voor-/Achterpaneel (E2G2)	2
32	Bovenkant Standaard Spreider Beugel	4
33	Bovenkant Standaard Zijpaneel	2
34	Spreider Beugel	4
35	Bovenkant Standaard RA/LV Kap	2
36	Bovenkant Standaard LA/RV Kap	2
37	Poot LV	1
38	Poot LA	1
39	Wegwerp Folieschaal	1
40	Onderplank (E2G2)	1
41	Voet RA	1

42	Voet RV	1
43	Onderplank Steun	2
44	Wiel	2
45	Voet LV	1
46	Voet LA	1
47	Poot RV	1
48	Poot RA	1
59	Gas Cilinder Steunketting	1
50	Cilinderhaak	1
51	Logo Badge	1

**OPTIONEEL ACCESSOIRE: KOOKACCESSOIRES**

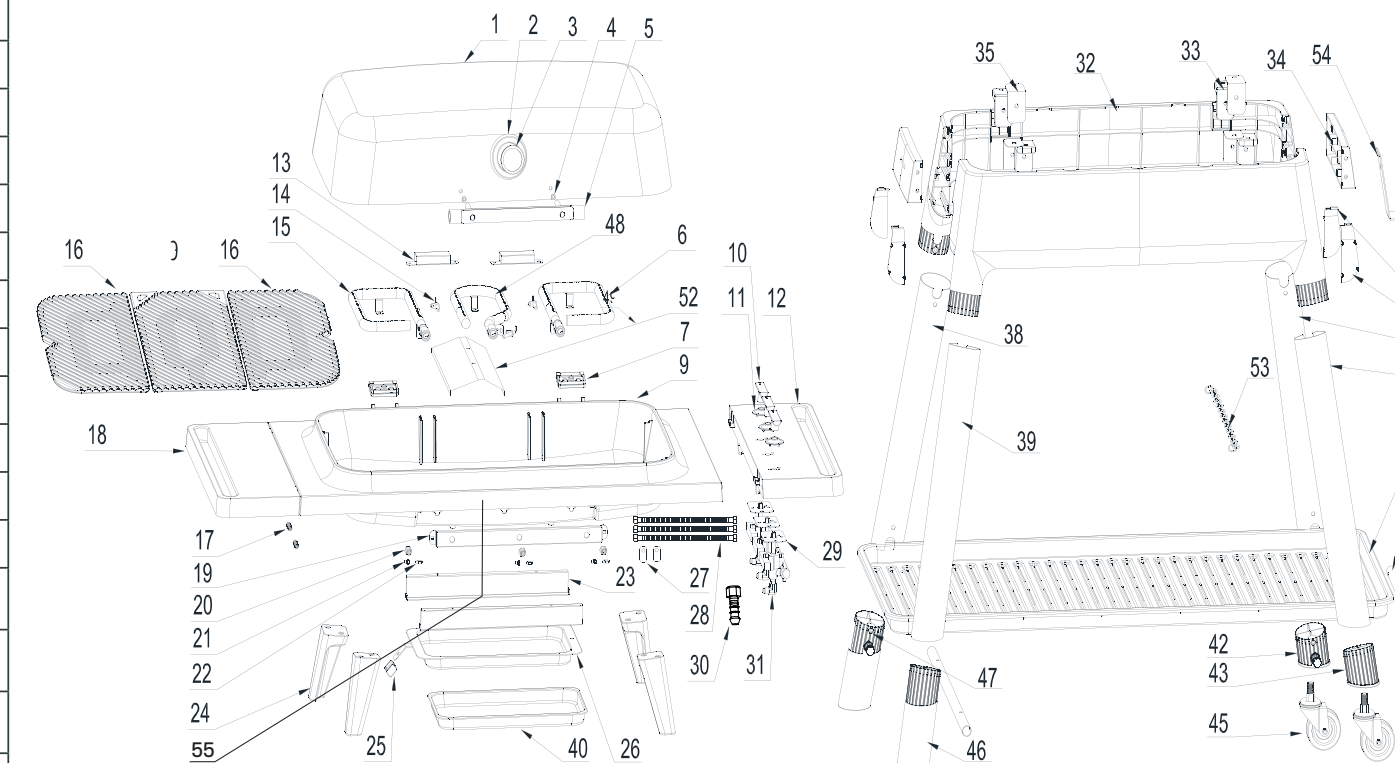
Ga naar www.everdurebyheston.com/international voor het volledige assortiment van accessoires

ONDERDELENLIJST: FURNACE™ BARBECUES

	ONDERDEELNAAM	AANTAL
1	Kap E2G3 (Orange)	1
	Kap E2G3 (Mint)	1
	Kap E2G3 (Steen)	1
	Kap E2G3 (Grafiet)	1
2	Temperatuurmeter Plaatje	1
3	Temperatuurmeter	1
4	Kap Handgreep Spreider	2
5	Kap Handgreep	1
6	Brander Rechterhand (E2G3)	1
7	Scharnier	2
8	IJzerwaren kit (niet getoond)	1
9	Barbecue Onderstel (E2G3)	1
10	Regelknop	3
11	Regelknop Plaatje	3
12	Serveerplaat Rechterhand (E2G3)	1
13	Gasontsteking Krusingbox (E2G3)	2
14	Electrode (E2G3)	3
15	Brander Linkerhand (E2G3)	1
16	Open Grill (E2G3)	2
17	Veer Serveerplaat	2
18	Serveerplaat Linkerhand	1

19	Injector Beugel (E2G3)	1
20	Injector Behuizing	3
21	Injector (E2G3)	3
22	Injector Behuizing Moer	3
23	Vetopvang Beugel (E2G3)	2
24	Barbecue Onderstel Voeten	4
25	Vetopvang Omslag Handgreep	1
26	Vetopvang	1
27	Gas slang Steun	2
28	Gas slang (E2G3)	3
29	Steun Ventiel	2
30	Verbindingsstuk	1
31	Gasventiel & Spruitstuk Montage(E2G3)	1
32	Bovenkant Standaard Voor-/Achterpaneel (E2G3)	2
33	Bovenkant Standaard Spreider Beugel	4
34	Bovenkant Standaard Zijpaneel	2
35	Spreider Beugel	4
36	Bovenkant Standaard RA/LV Kap	2
37	Bovenkant Standaard LA/RV Kap	2
38	Poot LV	1
39	Poot LA	1
40	Wegwerp Folieschaal	1

41	Onderplank (E2G3)	1
42	Voet RA	1
43	Voet RV	1
44	Onderplank Steun	2
45	Wiel	2
46	Voet LV	1
47	Voet LA	1
48	Centrale Brander (E2G3)	1
49	Centrale Open Grill (E2G3)	1
50	Poot RV	1
51	Poot RA	1
52	Retarder	1
53	Gas cilinder Steunketting	1
54	Cilinderhaak	1
55	Logo Badge	1

**OPTIONEEL ACCESSOIRE: KOOKACCESSOIRES**

Ga naar www.everdurebyheston.com/international voor het volledige assortiment van accessoires

everdure
by heston blumenthal