

Recommended bulb

1 x 9W ES LED energy efficient classic clear bulb or
1 x 42W ES eco halogen classic bulb

Specifications

Max. power: 60W

Voltage: 220-240V, 50Hz

Dimensions: H146cm x W48cm x D48cm

Weight: 2.6kg



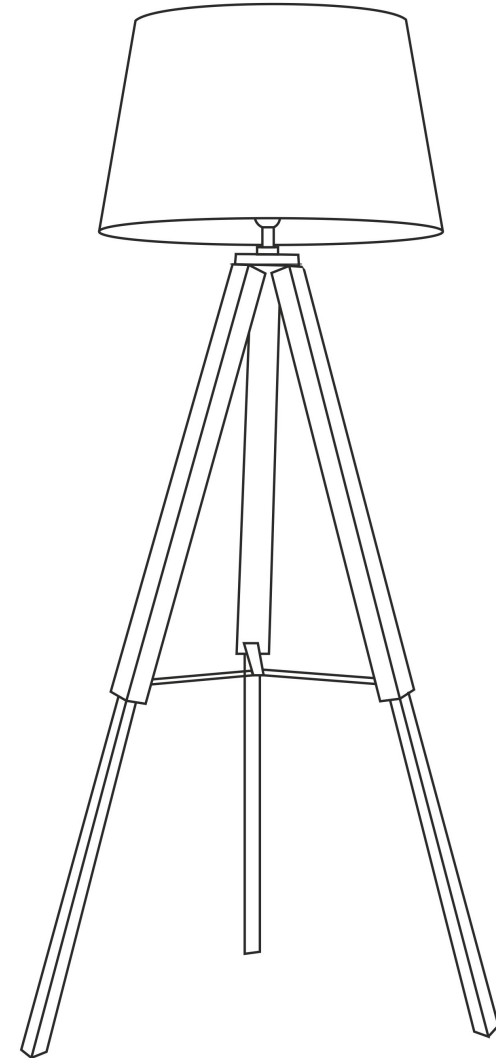
Please retain these instructions for future use

John Lewis

User manual

Jacques

Tripod floor lamp



John Lewis Partnership
171 Victoria Street
London SW1E 5NN
johnlewis.com

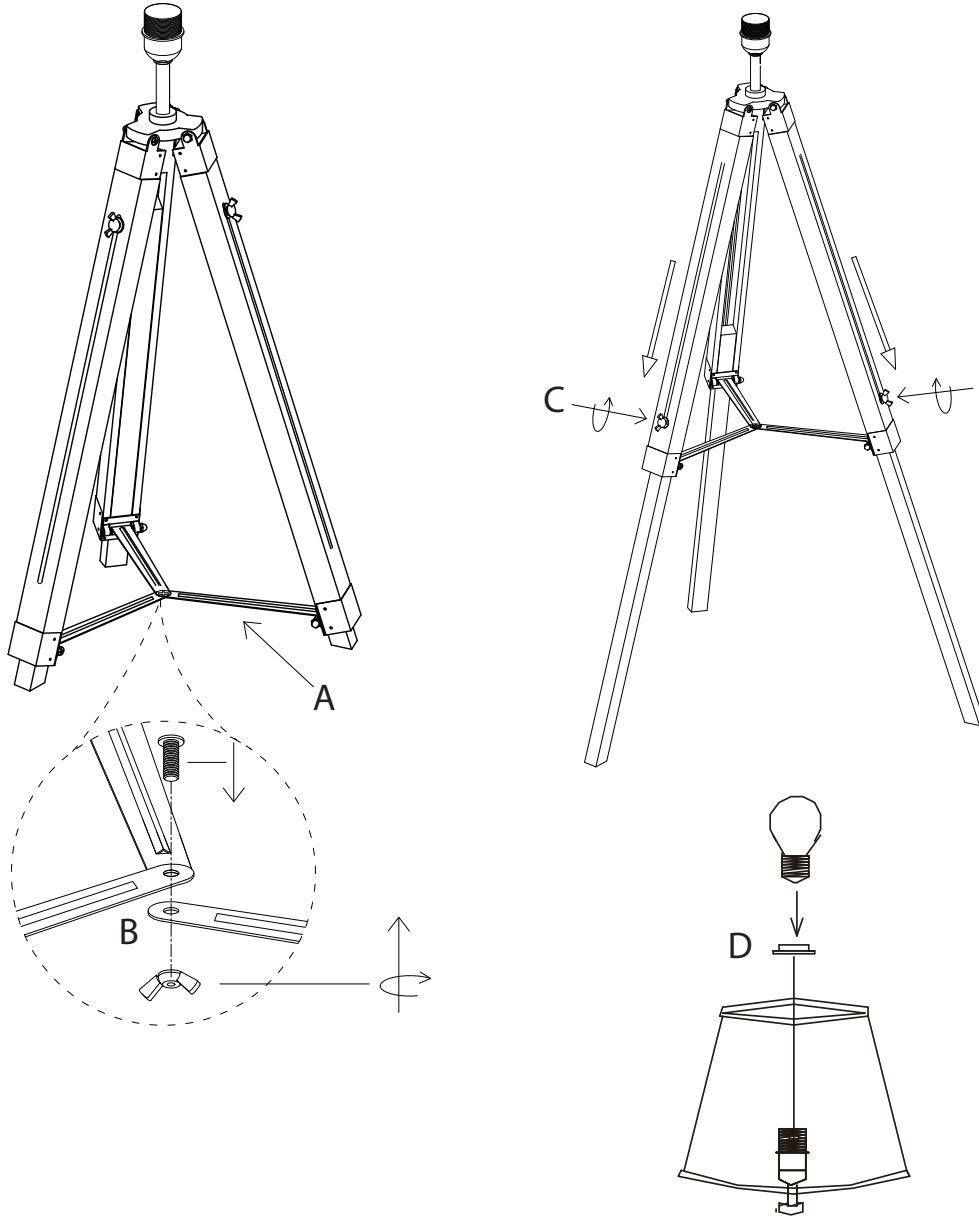
Made in China

Thank you for purchasing this Jacques tripod floor lamp. Please read the instructions carefully before use to ensure safe and satisfactory operation of this product.

Warnings!

To prevent electric shock, switch off the mains supply before maintaining this product. Ensure other persons cannot restore the electricity supply without your knowledge. Always use the correct bulb type with the correct power rating as indicated in the 'specifications' section.

Never exceed the max. power rating.



Assembly

1. Remove all protective packaging (Carton 1 and 2)
IMPORTANT NOTICE
Plastic/plastic bags can be dangerous. To avoid danger and suffocation keep away from babies and children.
2. Place the lamp with the feet of the legs on a stable surface, ensure that the legs are evenly spaced to approx. 45-50cm apart at the feet.
3. Locate the stabilising arm A on the inside of each leg and raise to bring all 3 together so that the locating holes line up, you will find the provided bolt and wing nut attached to one of the arms.
4. Unscrew the wingnut B and gently push the provided bolt through the top of all 3 holes and secure in place with the wing nut.
5. Adjust the legs individually approximately 5-10cm at any one time until the desired height is reached by loosening the wing nut C
6. Slide one leg out to the required length and re-secure with the wing nut
7. Repeat this process for all three legs ensuring that the wing nuts are secured hand tight.
8. Remove the shade ring D, add the shade (supplied in carton 2) and secure with the shade ring.

Care instructions

Ensure that the product has been switched off and allowed to cool, using a soft dry cloth Wipe clean lamp base only, do not wipe the bulb.

Before moving ensure the product is switched off and allowed to cool to avoid damage lift the item by holding by the base only.