

Product information

- Suitable for outdoor use
- Non-dimmable
- Clean the fitting with a soft dry cloth. Do not use abrasive chemical cleaners as this will damage the finish

Aftercare and Troubleshooting

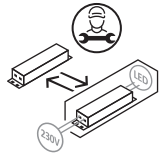
If there are technical issues with this product that you can't solve, please contact your nearest John Lewis & Partners shop or call Technical Support on 03301 230106.

Specification

Max power: 7.5W
Rated input: 220 –240V, 50Hz
IP rating: 44
Weight: 0.52kg
Lumen output: 530
Colour temperature: Warm white (3000K)
This product contains a light source of energy efficiency class E
For further information please visit: www.lighting-info.co.uk/71185



Non-replaceable light source




Replaceable control gear by a professional

5-year guarantee

At John Lewis & Partners we test every light to high quality standards. That means we can offer you a 5-year guarantee.

Recycling

This symbol  indicates that this product should not be treated as normal household waste and it should be recycled. John Lewis & Partners do not operate instore take back, but as members of the Distributor Take Back scheme have funded the development and upgrade of recycling facilities across the UK. Please take it to your nearest collection facility or for further details contact your local council or visit www.recycle-more.co.uk.

John Lewis plc
SW1V 2QQ
johnlewis.com

Made in China

UK
CA  IP44

24/09/2024

Please retain these instructions for future reference.



OLBIA INTEGRATED LED OUTDOOR WALL LIGHT USER GUIDE



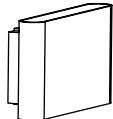



Product Code:
70270703
70271724

Thank you for purchasing this Olbia Wall Light. Please read the instructions carefully before use to ensure safe and satisfactory operation of this product.

Warnings!

This is a Class 1 product and must be earthed. Please read these instructions carefully before commencing any work. It is recommended that this fitting is installed by a qualified electrician. Install in accordance with the IEE Wiring regulations and the Building Regulations. To prevent electrocution switch off at mains supply before installing or maintaining this fitting. Ensure other persons cannot restore the electrical supply without your knowledge. If you are in any doubt, please consult a qualified electrician. This light fitting should be connected to a 5 amp fused circuit. If replacing an existing fitting, make a note of the connections. This product is IP44 rated. This product is not suitable for dimming.

Parts List

Light Fitting		1	Screws		2
			Wall plugs		2
Hex Key		1			

Assembly

Refer to assembly diagrams opposite. Carefully unpack the carton, making sure all the parts are present before assembly.

Step 1

See Diagram 1. Undo the hexagonal screws at the top and bottom of the product with the supplied hex key to separate the shade from the wall back.

Step 2

See Diagram 2. Using the wall back as a template, mark the position of the mounting holes. Drill holes and fit supplied wall plugs (suitable for masonry only - for other surfaces use appropriate fixings). Feed the incoming mains supply cable through the grommet entry hole. Fix the wall back to the wall using the supplied screws.

Diagram 1

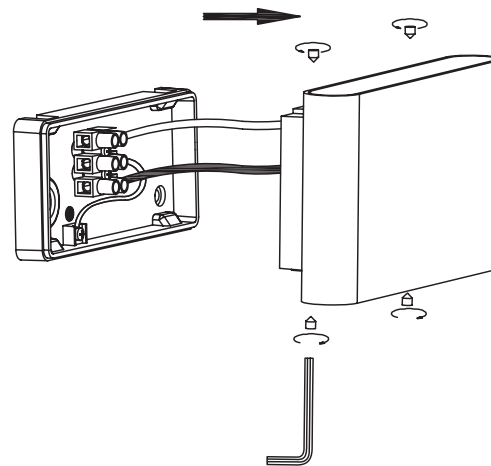


Diagram 2

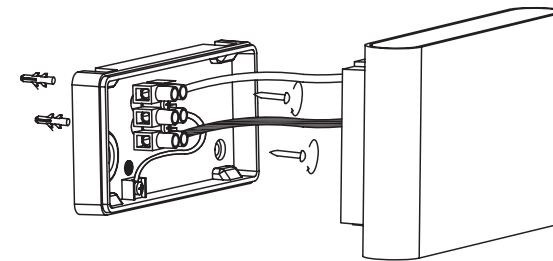
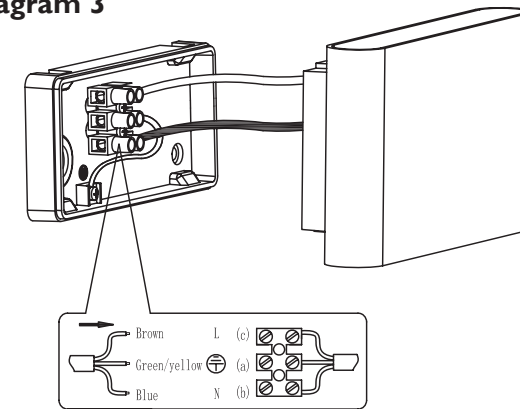


Diagram 3



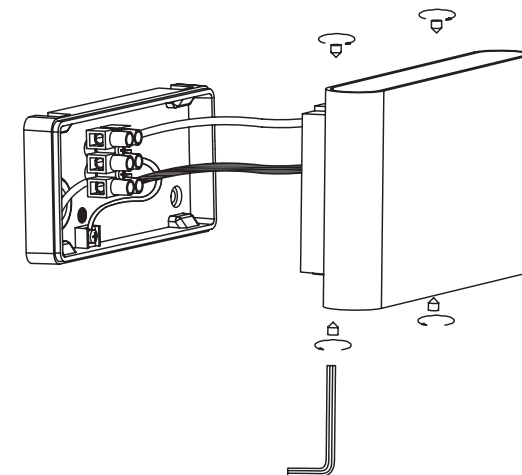
Step 3: Wiring

Having identified the household wiring from your existing light fitting, connect to the connection block inside the product as shown. Check that:

You have correctly identified the house wires. The connections are tight.

No loose strands have been left out of the connection block.

Diagram 4



Step 4

See Diagram 4. Place the light fitting over the wall back and refit the hexagonal screws set aside earlier to secure. Make sure the seal is in place to maintain IP protection.

Step 5

Replace fuse or circuit breaker and switch on. Your light is now ready for use.