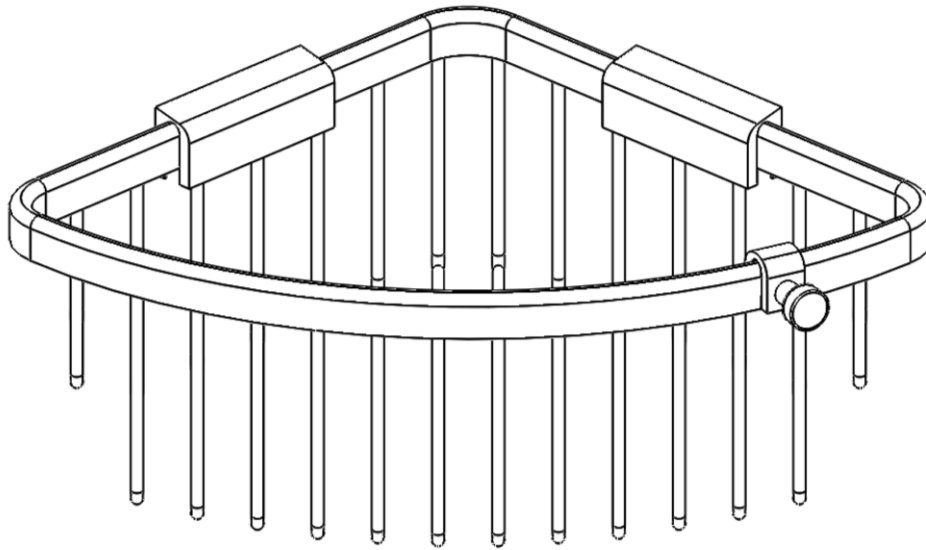


Deep Shower Basket

Stock number: 809/30518

Thank you for purchasing this product. Please read the instructions carefully before use to ensure safe and satisfactory operation of this product



Pre-assembly preparation

Please ensure instructions are read in full before attempting to assemble this product

Necessary Tools





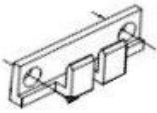

Please check the pack contents before attempting to assemble this product. A full checklist of components is given in this leaflet. If any components are missing, please contact the retailer from whom you bought this product.

This product takes approximately **10 MINUTES** to assemble with **1 PERSON**.

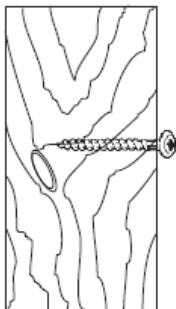
The fittings pack contains **SMALL ITEMS** which should be **KEPT AWAY FROM YOUNG CHILDREN**.

Read this leaflet in full before commencing assembly.

Fittings and parts checklist

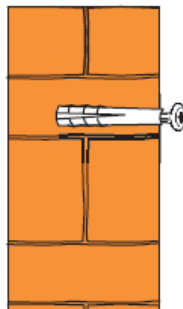
A	Screws x 4	
B	Wall plugs x 4	
C	Nylon fixings x 2	
D	Chrome fixing cover x 2	

Wall fixing - if in doubt seek professional advice



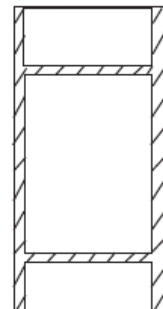
Wood

If fixing to wood make sure that it isn't chipboard as screws can easily pull away from the core structure



Brick or Masonry

Use an appropriate wall plug provided you are sure your wall is sound



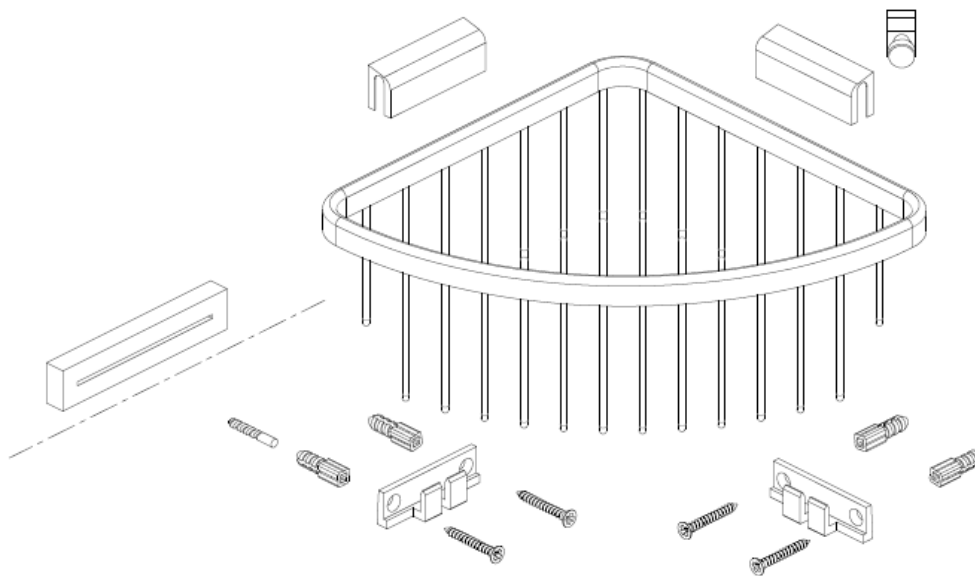
Cavity wall

Special toggle wall plugs are needed. Seek expert advice

Step by step assembly instructions

Fitting steps:

- 1) Choose the position you would like to fit your shower basket, making sure there are no buried pipes or cables before drilling any holes.
- 2) Holding the first nylon fixing in the required position, mark through both holes with marker. Repeat the process on the opposite wall, ensuring the marks are horizontal by use of a spirit level.
- 3) Drill holes to a depth of 35mm using a 5.5mm masonry drill '1' (please note that if drilling into tiles, a specialist drill bit should be used) - & insert the plastic plugs '2' into the holes.
Please note: the wall plugs provided are suitable for solid walls only, if fixing into any other surface, specialist fixings are required. These can be obtained from a specialist D.I.Y. outlet.
- 4) Fit the nylon fixings '3', to the wall with screws '4', making sure they are tight against the wall.
- 5) Carefully lower the basket '5' over the nylon fixings & when correctly in place, fit the chrome covers '6' over the frame of the basket & the nylon fixings.
- 6) Finally, attach the adjustable hook '7' in a suitable place on the frame & tighten with the screw.



Care and Maintenance

We recommend regular cleaning with a mild soap liquid & drying with a soft cloth. The use of abrasive cleaners or bleaches will damage the product. Please take care when replacing the basket after cleaning & make sure that it is securely in place before replacing the chrome covers.

Safety Instructions

General warnings:

Periodically check all fixings to ensure none have come loose and re-tighten where necessary.

It is essential that this basket is fixed to a wall with the fixings provided.

PLEASE KEEP THESE INSTRUCTIONS FOR FUTURE REFERENCE

John Lewis Partnership 171 Victoria Street London SW1E 5NN

www.johnlewis.com