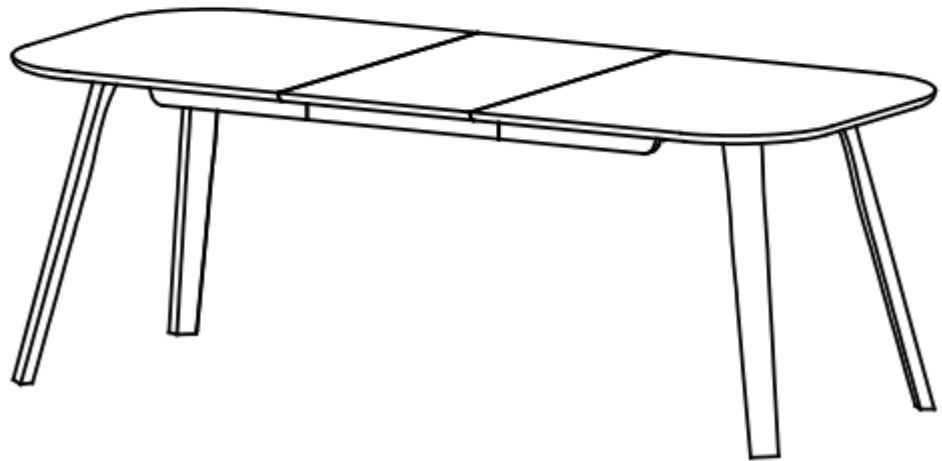


John Lewis

Anton Dining Table Extending

Stock number: 836 03802



H75 W90 D160-220cm

Thank you for purchasing the Anton Dining Table Extending. Please read the instructions and warnings carefully before use, to ensure safe and satisfactory operation of this product.

At John Lewis, we are committed to making great products possible.

From our in-house Design Team, to our Buyers, we work together to bring great designs to life.

Our expert Product Technologists work collaboratively with our buyers and suppliers to assure the legality, safety and quality of the product we sell.

We are all committed to designing and developing products to the highest industry standards.

We hope you are happy with your product and welcome any feedback or comments you may have.

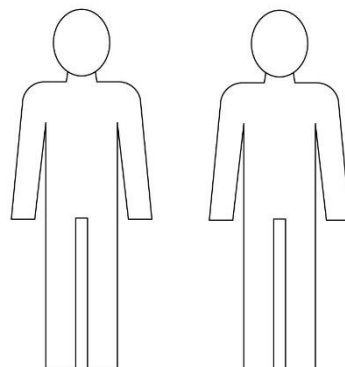
The John Lewis Team

## Tools required



**Time to assemble**  
30 Minutes

**People to assemble**



# Important safety information

## Warnings

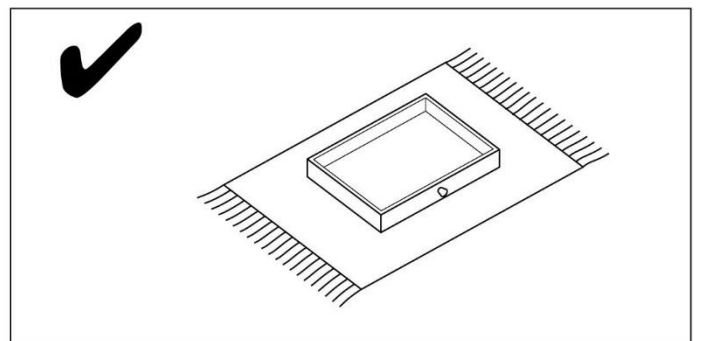
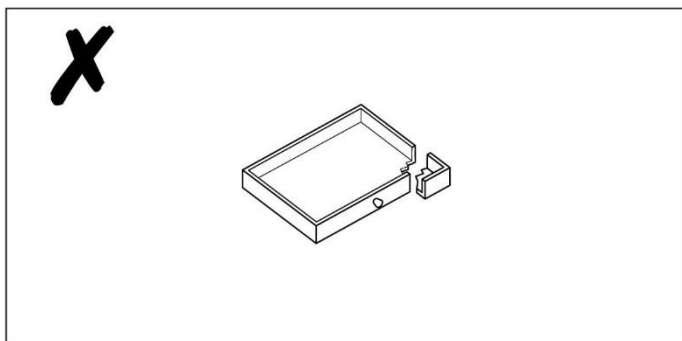
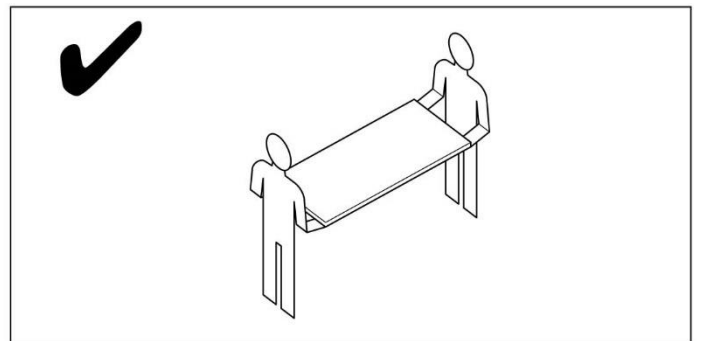
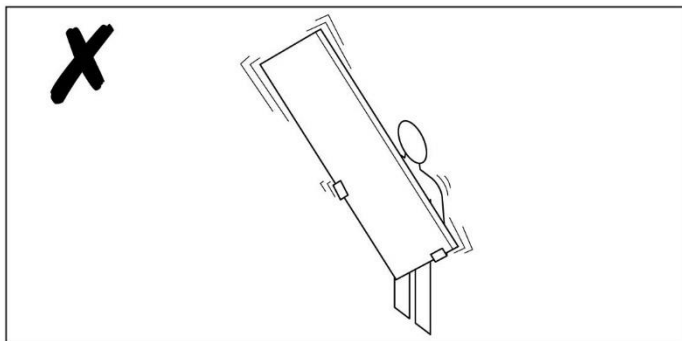
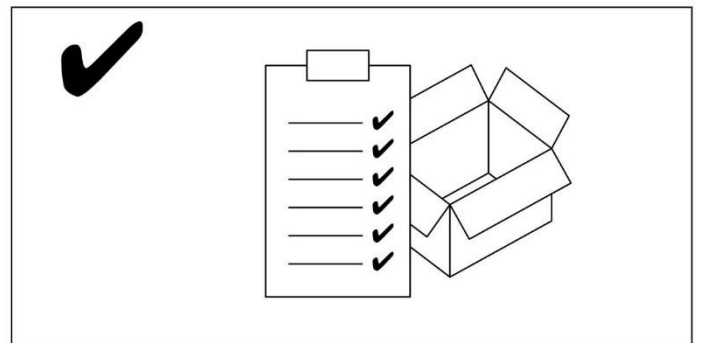
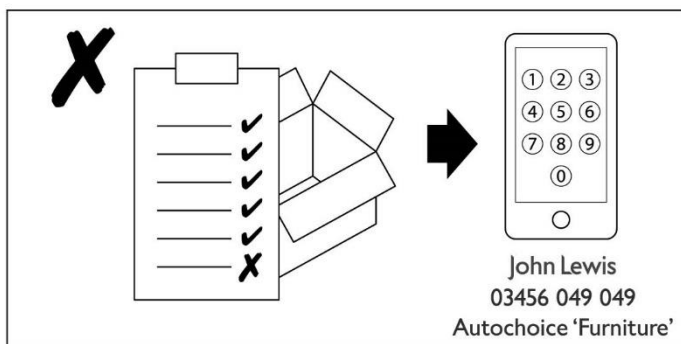
- ⚠ The product should only be used on firm, level ground.
- ⚠ Keep small parts out of reach of children.
- ⚠ Ensure the product is fully assembled as illustrated before use.

## Do's

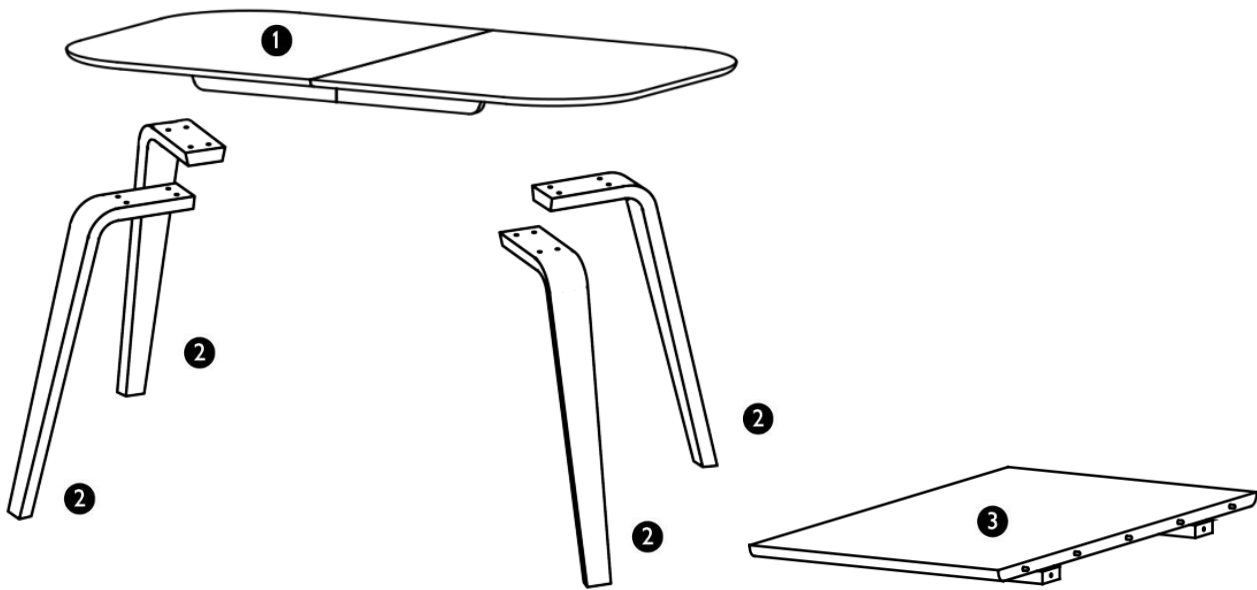
- ✓ Check the pack and make sure you have all the parts listed.
- ✓ Check all screws or bolts are tightened and inspect regularly.
- ✓ Make sure the legs remain in contact with the ground at all times.

## Don'ts

- ✗ Do not over tighten screws or bolts.
- ✗ Do not stand on the product.
- ✗ Do not use power tools to construct as overtightening and panel failure may occur.

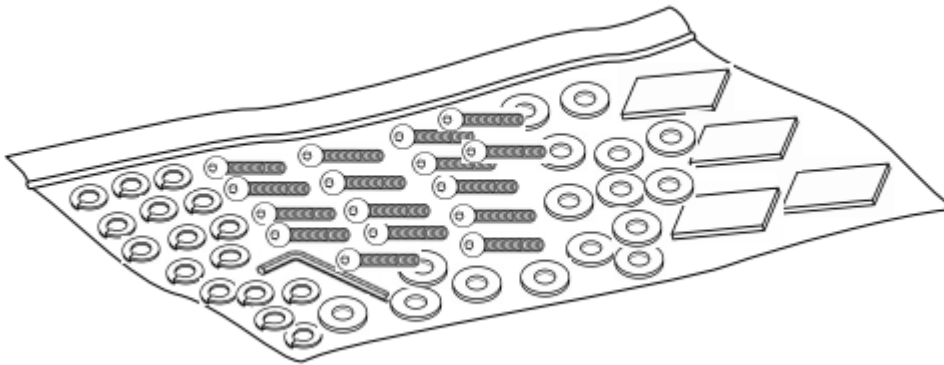


# Your Dining Table

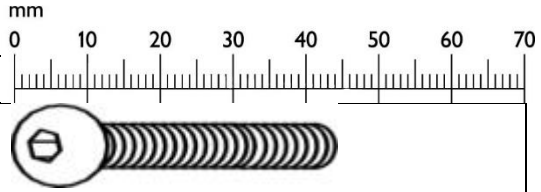




Ref	Description	Dimensions	Qty
①	Table top	1600x900x22mm	1
②	Leg	728x100x33mm	4
③	Extension leaf	600x900x22mm	1



# Fixtures and fittings



Fixtures and fittings supplied (actual size)

Ref	Description	Dimension	Qty	mm
<b>A</b>	Leg bolt	M6x41mm	16	
<b>B</b>	Spring washer	M6	16	
<b>C</b>	Flat washer	M6/16mm	16	

Fixtures and fittings supplied (not actual size)

Ref	Description	Dimension	Qty	
<b>D</b>	Pad	45x30mm	4	
<b>E</b>	Allen Key M4	4x60mm	1	

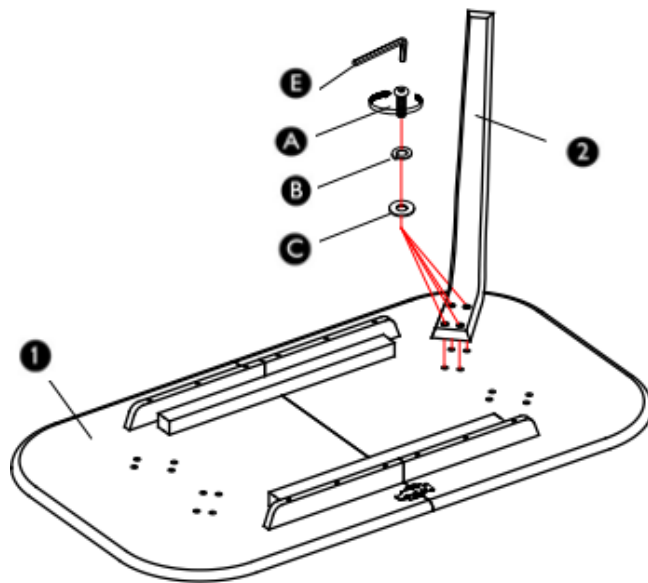
# Product assembly

Anton Dining table extending  
836 03802

## Step 1

Parts, fittings and tools

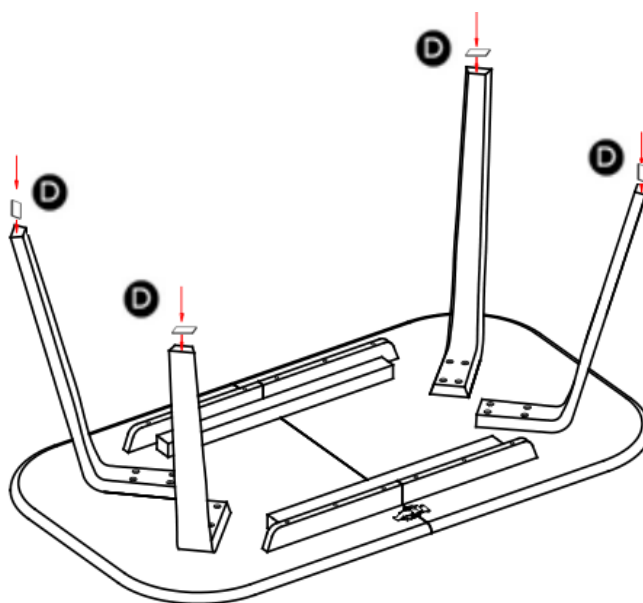
- 1
- 2
- A
- B
- C
- E



## Step 2

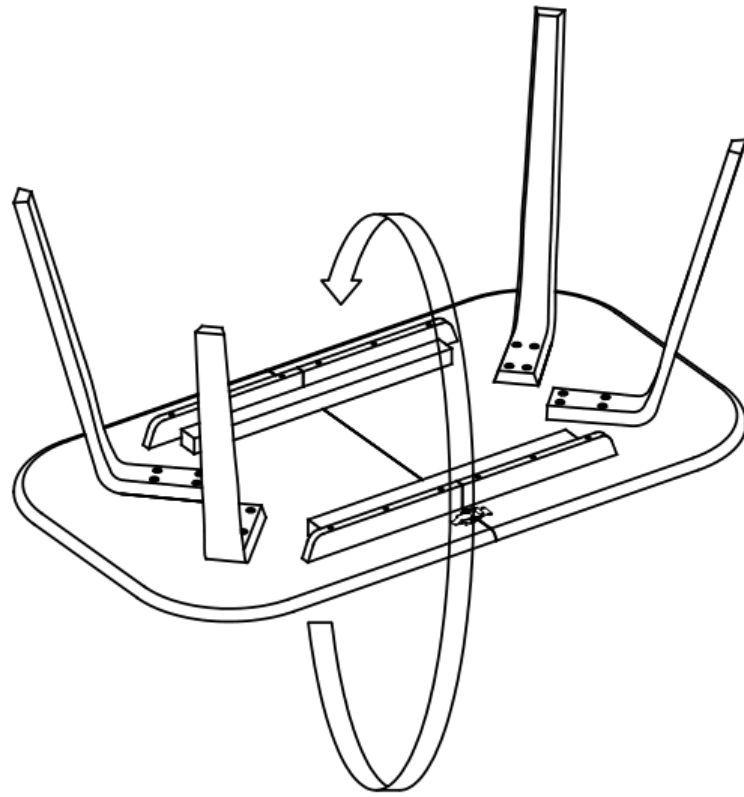
Parts, fittings and tools

- D



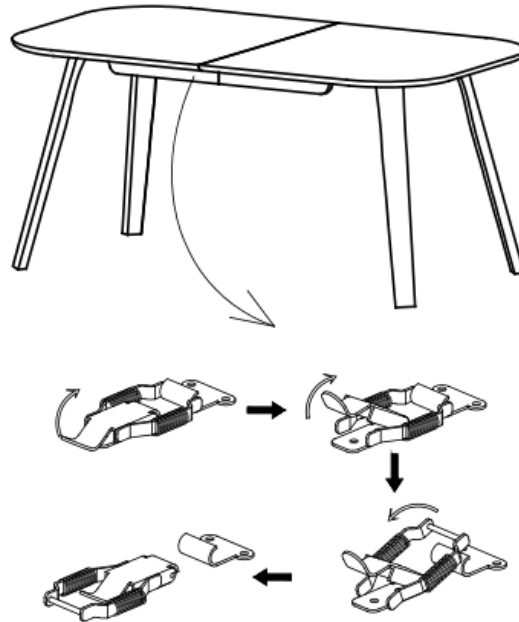
# Step 3

Parts, fittings and tools



## Step 4

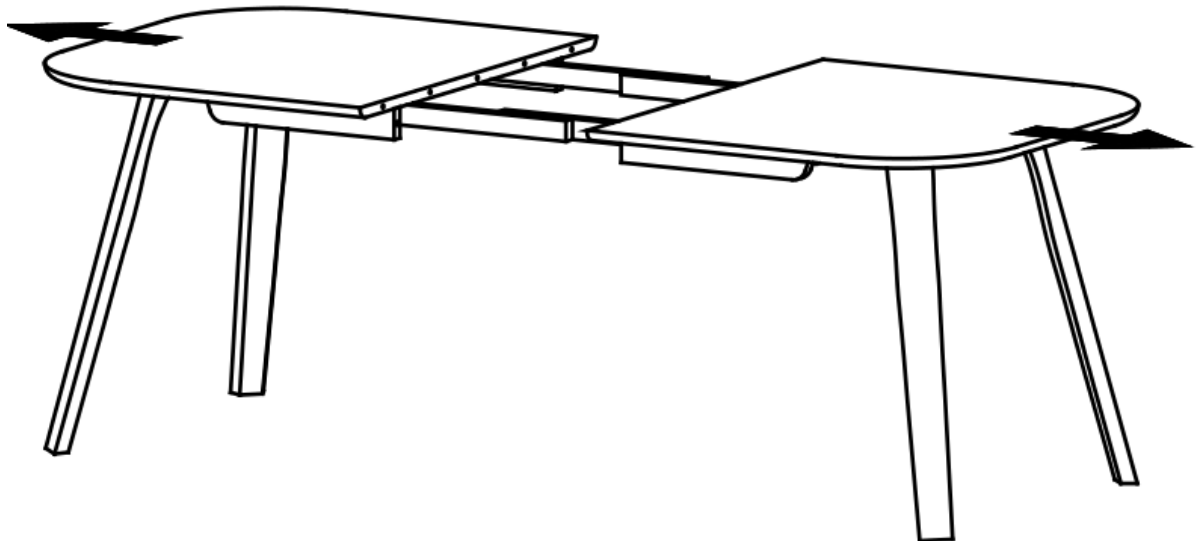
Parts, fittings and tools



---

## Step 5

Parts, fittings and tools

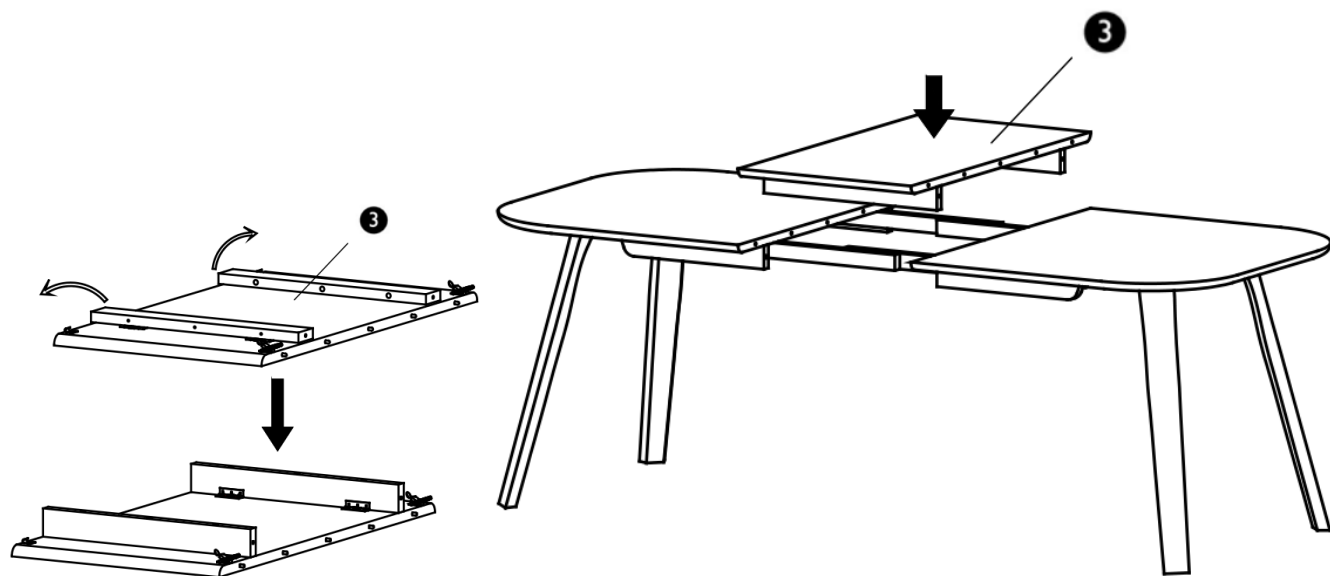




## Step 6

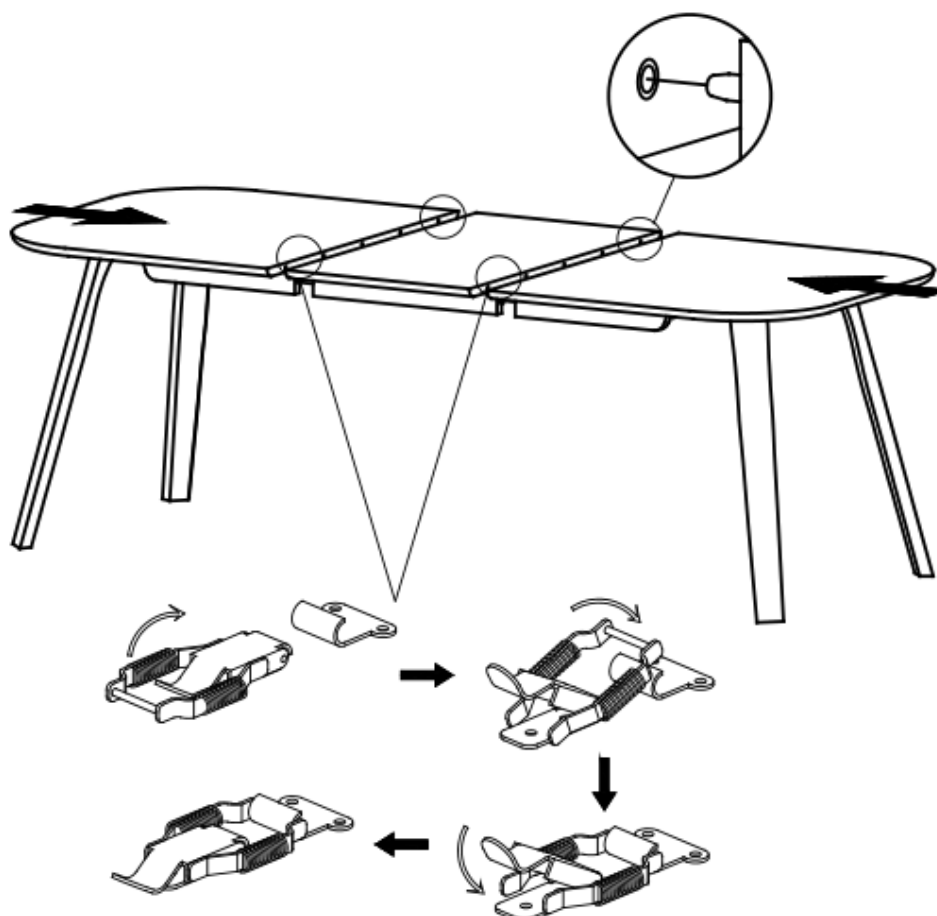
Parts, fittings and tools

3



## Step 7

Parts, fittings and tools



## Care guide

### Care and maintenance

#### Wood Furniture

Wood displays different grain patterns depending on which way they cut - for example, the 'medullary ray' which can appear on oak furniture is a mark of good quality timber - these are just characteristics of the natural beauty of the wood. Some furniture is also deliberately aged and rustic.

Wood veneers also allow distinctive patterns to be created on flat surfaces, such as table tops and drawer fronts by the way the slivers are arranged.

All timber surfaces will change colour and mellow over time. New furniture will initially vary in shade from items that have been previously purchased.

#### How to care for your wood furniture

Furniture with a hard lacquer should be dusted with a dry cloth.

Spray polishes are best avoided as they contain silicones which may spoil the furniture's surface by building up over time.

Make sure all surfaces are protected from heat and liquids by mats and coasters. Wipe up spills immediately and ensure that a mat or pad is placed under paper if you are writing.

Our furniture will endure most temperatures in the home but it is best to avoid placing furniture next to heat sources such as radiators or fires. Be particularly careful with solid wood as the lack of humidity caused by central heating can cause damage such as warping

Use glass cleaner or soapy water for cleaning, do not use anything abrasive as this may damage the surface of the product.

Protect surfaces from scratches and marks by using mats and coasters.

#### Safety instructions

Never drag furniture when moving it, always lift it.

Periodically check all fixings to ensure none have come loose and re-tighten where necessary.

Please take care when handling or moving the furniture as careless handling may cause damage or injury.

Furniture can be dangerous if incorrectly installed. Assembly should be carried out by a competent person. No liability will be accepted for damage or injury caused by incorrectly installed or assembled furniture.

Retain these instructions for future reference.