

Step 7

Fit the recommended bulbs as per the details below.

Step 8

Replace fuse or circuit breaker and switch on. Your light is now ready for use.

For use

When cleaning, we recommend cleaning with a soft dry cloth. Do not use abrasive materials as these will damage the finish

Recommended bulb

4 x 3.5 Watt
GU10 LED Energy Efficient bulb.



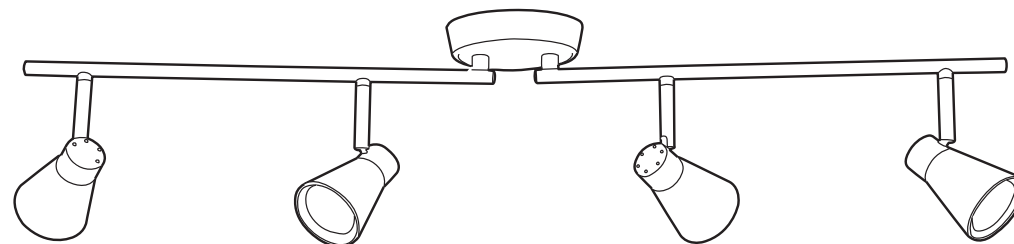
When changing a bulb, always switch off at the mains and allow the bulb to cool before handling. Dispose of used bulbs carefully. Do not exceed the wattage stated or use a different shape bulb from that indicated on the fitting.

Some Energy saving bulbs are not suitable for use with a dimmer switch.

Specification

Maximum wattage: 3.5W

Voltage: 240V, 50Hz



We have taken great care to ensure that this product reaches you in perfect condition. However, should any parts be damaged or missing please contact our Product Helpline on (01202) 690945.

John Lewis Partnership
171 Victoria Street
London SW1E 5NN
johnlewis.com

Made in China

27/02/2019

Thank you for purchasing this Logan spotlight. Please read the instructions carefully before use to ensure safe and satisfactory operation of this product.

Warnings!

This is a Class I product and must be earthed.

Please read these instructions carefully before commencing any work. It is recommended that this fitting is installed by a qualified electrician.
 Install in accordance with the IEE Wiring regulations and the Building Regulations.
 To prevent electrocution switch off at mains supply before installing or maintaining this fitting. Ensure other persons cannot restore the electrical supply without your knowledge.
 If you are in any doubt, please consult a qualified electrician.
 This light fitting should be connected to a 5 amp fused circuit.
 If replacing an existing fitting, make a note of the connections.
 Always use the correct type and wattage bulb. Never exceed the wattage stated.
 When changing a bulb or adjusting the heads, always switch off at the mains and allow to cool down. Dispose of used bulbs carefully.
 This product is suitable for indoor use only.
 This product is suitable for installation on surfaces with normal flammability e.g. wood, plasterboard, masonry. It is not suitable for use on highly flammable surfaces (e.g. polystyrene, textiles).
 For your safety, always switch off the supply before changing lightbulbs, cleaning or removing shades. Always take care when handling lightbulbs to avoid injury in case of breakage.
 This product has been designed with folding bars to allow different configurations and layouts to be easily achieved. To position the bars, fold them out into the desired configuration. There is no need to tighten the bars once in position. They are designed to rotate freely to allow easy operation. When installing and using this product, take care not to allow the bars and heads to collide with each other.



The supplied bulbs are 3.5W LED GU10 and are not dimmable. Make sure that the minimum distance to the illuminated surface is not less than 0.5m (50 cm).

Parts list

- 1 x Fitting
- 1 x Fixing Pack (2 x Screws, 2 x Wall plugs)
- 4 x bulbs (3.5W GU10 LED))
- 1 x Bulb fitting tool

Installation Instructions

Make sure you have the following items which are required to install this light fitting:
 - Small electrical screwdriver, cross head screwdriver.
 - The installation of this fitting will be much easier with the help of an assistant.

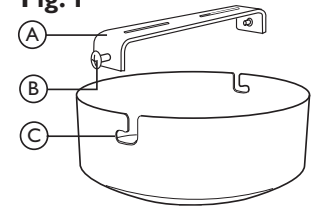
Step 1

Before removing the existing fitting, **carefully note the position of each set of wires.**

Step 2

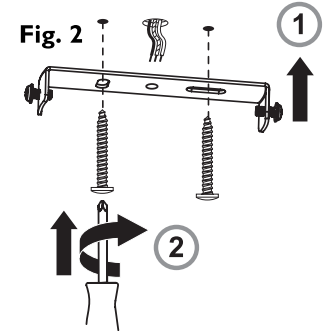
Remove the fixing bracket (A) from the ceiling cover by removing the side screws (B). See Fig. 1.

Fig. 1



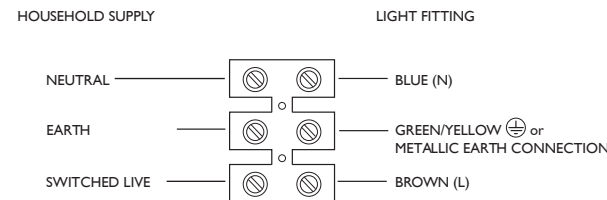
Step 3

Attach to the ceiling using the screws provided. Refer to Fig. 2. Ensure there is a joist at the point of fixing to support the weight of the product. Take care to avoid damaging any concealed wiring and pipes.



Step 4

Having identified the household wiring from your existing light fitting, connect to the connection block inside the product in the following way:



Check that....

You have correctly identified the house wires.
 The connections are tight.
 No loose strands have been left out of the connection block.
 The lid is fitted back onto the terminal block case.

Step 5

When completed, ensure that there are no bare or loose strands of wire exposed.

Step 6

This product has “L” shaped fixing slots to allow easy fixing to the ceiling strap. Locate the “L” slots (C) around the small screws (B) on the ceiling strap (A) (see Fig. 1). Rotate the ceiling cover to attach the product to the strap. Tighten the screws to secure. Take care not to trap any wiring..

