

MEENA WALL LIGHT

IL3093

Thank you for buying this **Meena** wall light.
Please read the instructions and warnings carefully before use to ensure safe and satisfactory operation of this product.

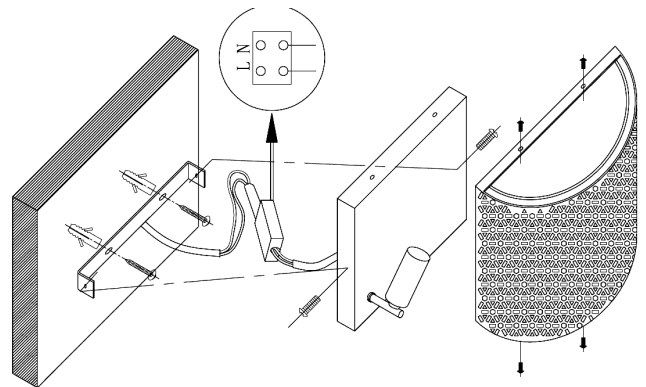
This product is Class II therefore no earth is required

Warnings

- * It is recommended that this fitting is installed by a qualified electrician.
- * This fitting should be fitted in accordance with IEE Wiring Regulations and the Building Regulations.
- * To prevent electrocution switch off at the mains supply before installing or maintaining this fitting. Ensure other persons cannot restore the electricity supply without your knowledge.
- * If you are in doubt please consult a qualified electrician.
- * To avoid damage to concealed wiring during installation, establish the direction of the supply cable before drilling fixing holes.
- * This fitting should be fitted to a lighting supply with protected 5 amp fuse or equivalent circuit breaker.
- * Always be sure to use the correct type and wattage of bulbs as indicated on the fitting. Never exceed the wattage stated.
- * When changing the bulb, always switch off at the mains and allow the old bulb to cool down before handling. Dispose of used bulbs carefully.

Instructions for use

1. Ensure the house electricity supply is off at the fuse board.
2. If you are fitting this product in place of an existing fitting, you may find that there are more than 3 sets of cables connected within the rose. Before removing existing rose, carefully note position of each set of cables. If there are loop in cables that are not connected to the light these must be terminated in a separate terminal block away from the fitting.
3. Remove mounting bracket from the cup and retain screws for later. Using mounting bracket as a template, mark and then drill the fixing holes in the wall (ensure holes are drilled into a secure joist or solid wall and not just plasterboard). **Take care not to damage wiring.**
4. Attach the mounting bracket onto the wall using suitable screws. Make sure no wires are trapped in the process.
5. Lever open the connector block using a small flat bladed screwdriver. Lift the fitting close to supply cable and then make the electrical connections as follows:
Connect supply live (normally brown or red) to fitting live (marked "L") on the terminal block.
Connect supply neutral (normally blue or black) to fitting neutral (marked "N") on the terminal block.
Please note: No earth should be connected to any part of this fitting. If any earth wires are present please terminate these in a separate terminal block (not supplied) to ensure that continuity is maintained for the household earth circuit.
Ensure electrical connections are tight and no loose strands of wire are left out of connector block and that the rubber sleeve is correctly located and covering the supply cable.
6. Offer fitting over mounting bracket and secure fitting into position with the screws removed earlier. **Take care not to trap wires in the process.**
7. Fit the bulb, type and wattage as indicated on the fitting. **The wattage indicated must not be exceeded.**
8. Fit the shade; offer the metal shade over the bracket and secure in place using the 4 screws supplied.
9. Switch on the electricity supply at the fuse board.



Please retain this information leaflet for future reference

GENERAL INFORMATION

This fitting is designed for internal use only
Do not use polish or an abrasive cleaner - just a soft dry cloth.

