

Getting started

Thank you for purchasing this 2 tier extendable shoe rack. Please read the instructions and warnings carefully before use to ensure safe and satisfactory operation of this product. Before beginning assembly, please ensure you have all parts outlined in the pack contents below.

Warning

The fittings pack contains small items which should be kept away from young children. Do not allow children to climb or play on the shoe rack. Maximum weight load →10kg/per tier, total 20kg.

Parts list



x16



Fx8



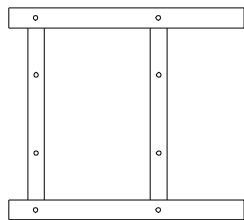
Dx8



Ex8



x1



A x2

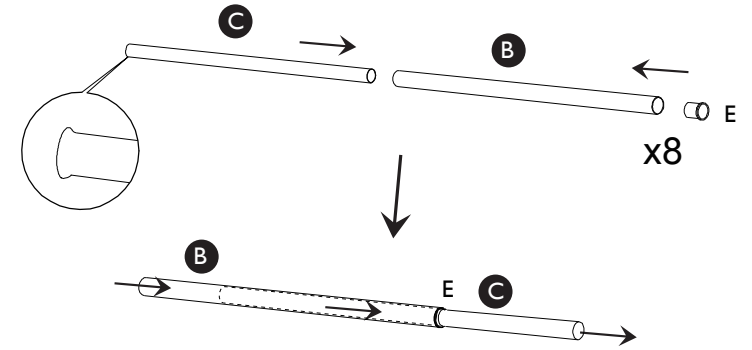


B x8

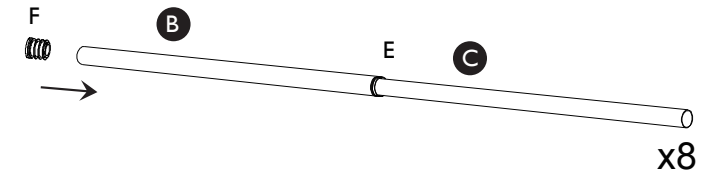


C x8

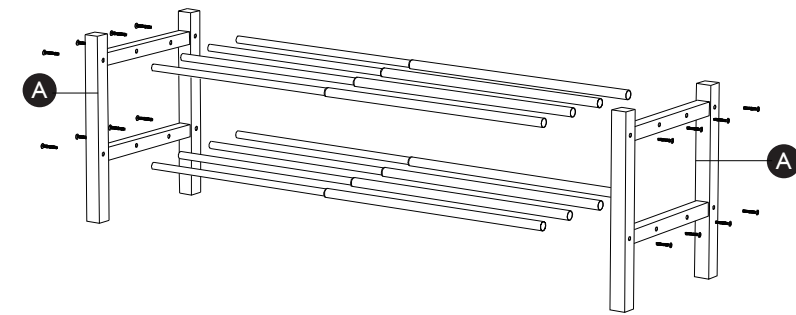
Step by step assembly instructions



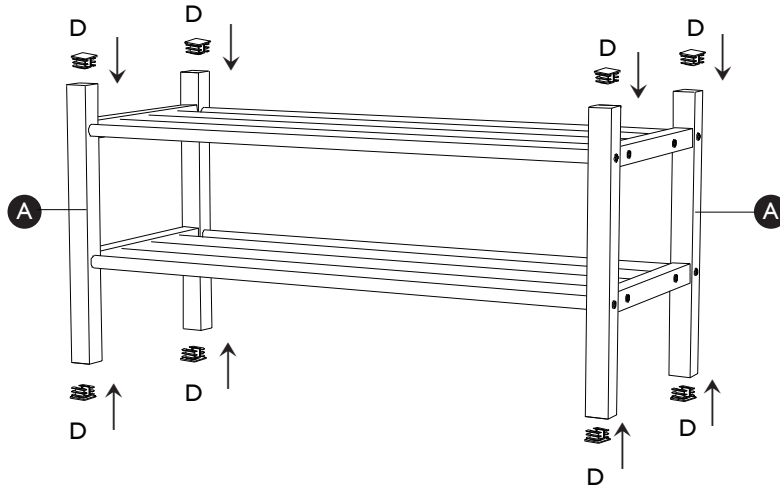
1. Insert stopper (E) into tube (B), repeat for 8 x tube (B). Then insert tube (C) into tube (B), push it through, and pull out from stopper (E). Repeat for 8 x tube (C).



2. Plug plastic insert into tube (B), repeat for all tubes.



3. Affix the tube (B+C) to 1 x side frame (A) using 8 x screw . Repeat for the other side frame (A).



4. Insert 8 x plastic cap (D) on the top and bottom of 2 x side frame (A).

Care instructions

Please clean with a soft dry cloth.

