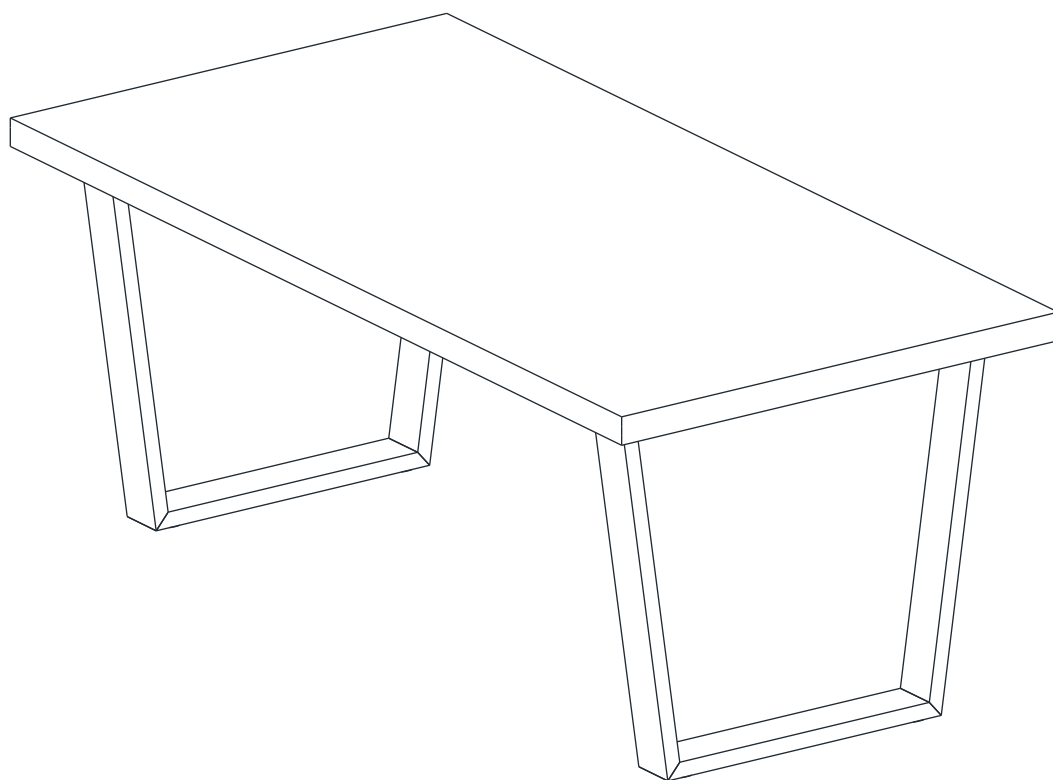


John Lewis

Calia Dining Table 190x95  
Stock number: 836 03002



H76 W95 D190cm

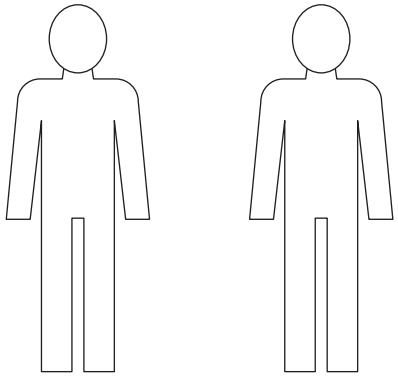
Thank you for purchasing the Calia Dining Table. Please read the instructions and warnings carefully before use, to ensure safe and satisfactory operation of this product.  
At John Lewis, we are committed to making great products possible.  
From our in-house Design Team, to our Buyers, we work together to bring great design to life.  
Our expert Product Technologists work collaboratively with our buyers and suppliers to assure the legality, safety and quality of the product we sell.  
We are all committed to designing and developing products to the highest industry standards.  
We hope you are happy with your product and welcome any feedback or comments you may have.

The John Lewis Team

## Tools required

**Time to assemble**  
30 Minutes

**People to assemble**



# Important safety information

## Warnings

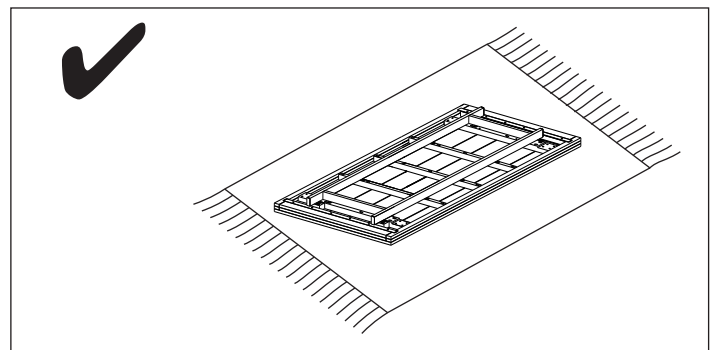
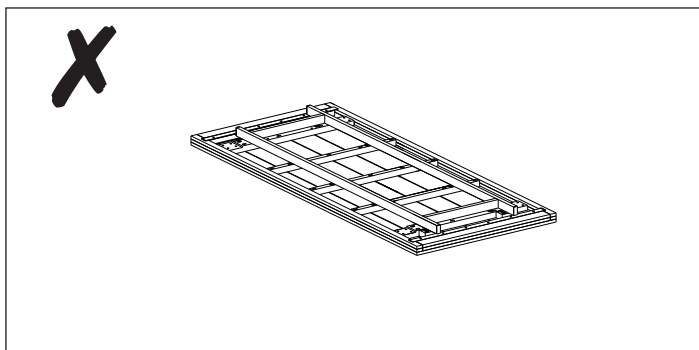
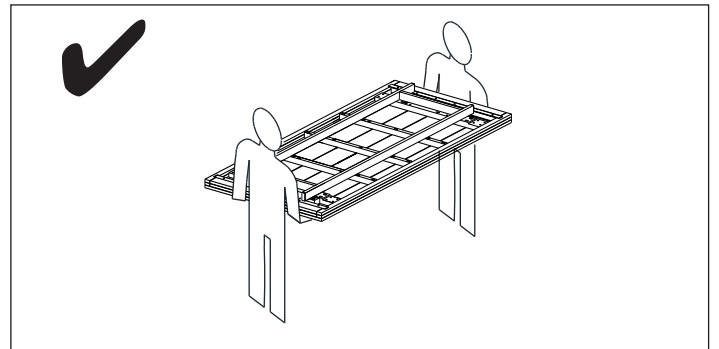
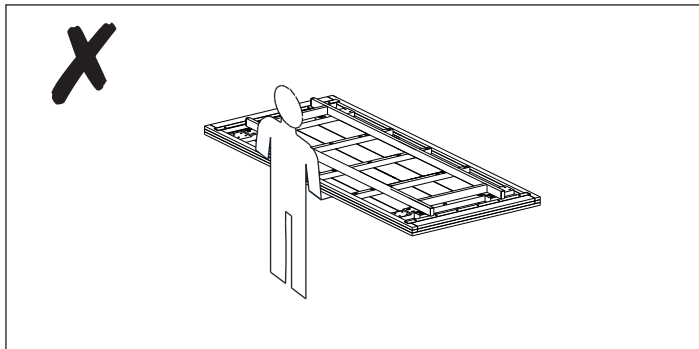
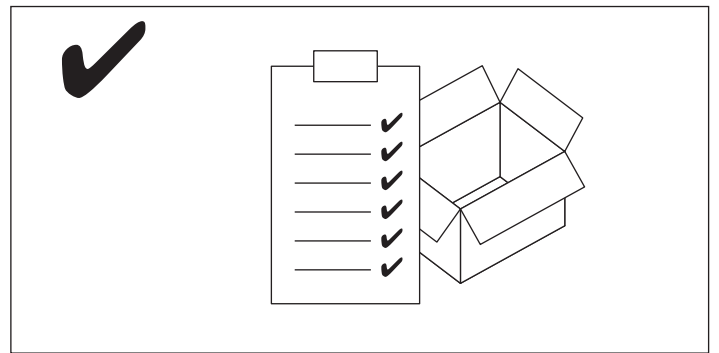
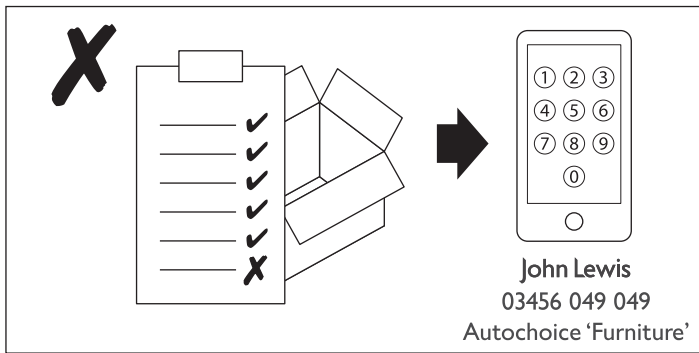
- ⚠ The product should only be used on firm, level ground.
- ⚠ Keep small parts out of reach of children.
- ⚠ Ensure the product is fully assembled as illustrated before use.

## Do's

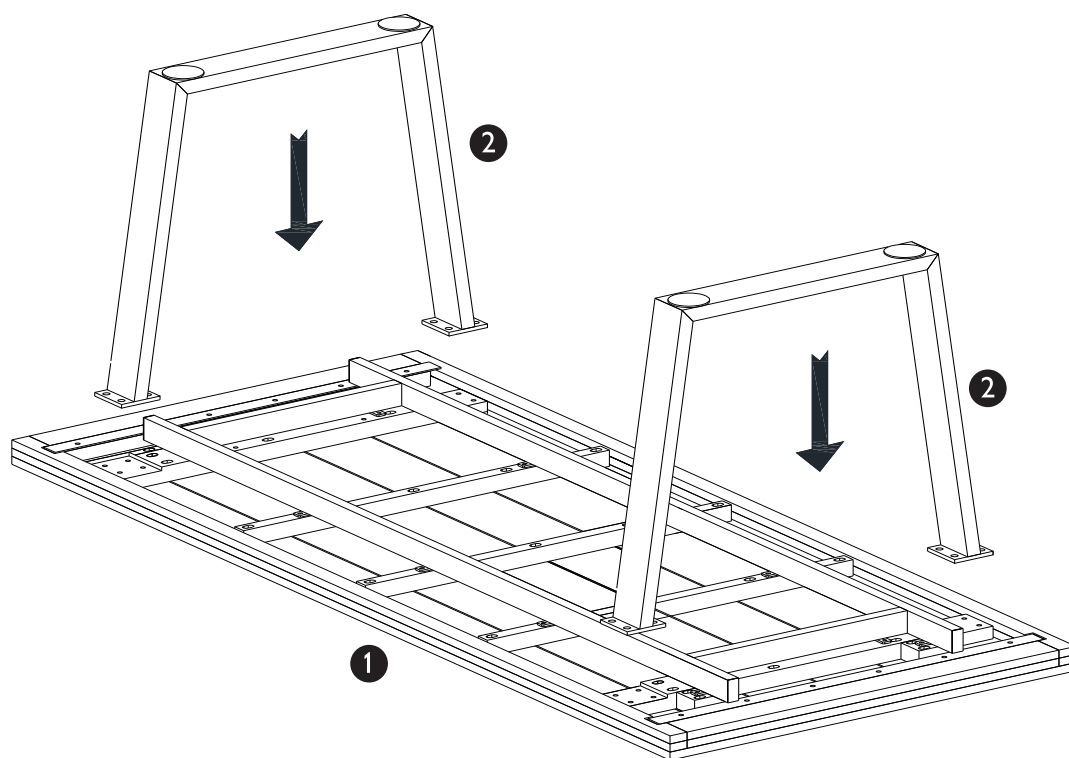
- ✓ Check the pack and make sure you have all the parts listed.
- ✓ Check all screws or bolts are tightened and inspect regularly.
- ✓ Make sure the legs remain in contact with the ground at all times.

## Don'ts

- ✗ Do not over tighten screws or bolts.
- ✗ Do not stand on the product.
- ✗ Do not use power tools to construct as overtightening and panel failure may occur.



# Your Calia Dining Table



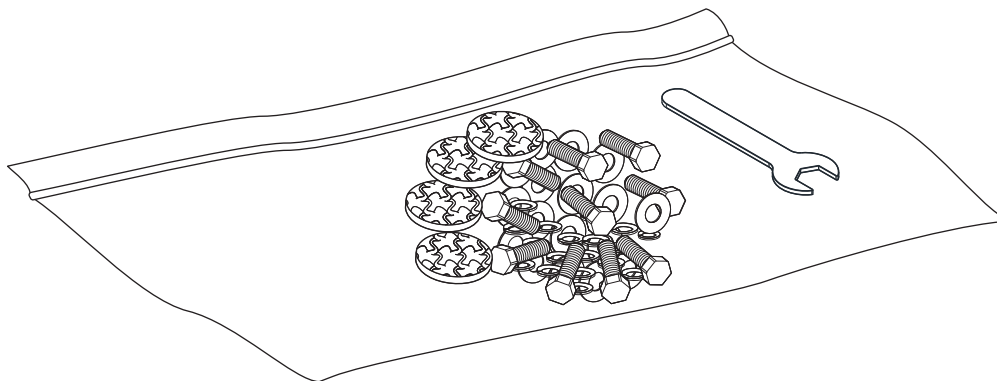
Ref	Description	Dimensions	Qty
1	Table top		1
2	Table legs		2

Internal dimensions

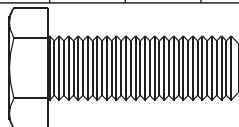

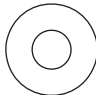

Stock number: 836 03002

Calia Dining Table, overall size: H76 W95 L190cm


# Fixtures and fitt



Fixtures and fittings  
supplied (actual size)

Ref	Description	Dimensions	Qty	mm
<b>A</b>	Bolt	8mm x 25mm	16	
<b>B</b>	Spring washer	Ø12/Ø8mm x 1.5mm	16	
<b>C</b>	Flat washer	Ø19/Ø8mm x 1.5mm	16	
<b>D</b>	Felt	Ø80mm x 3mm	4	

Fixtures and fittings  
supplied (not actual size)

Ref	Description	Dimensions	Qty	
<b>E</b>	Wrench	13mm	1	

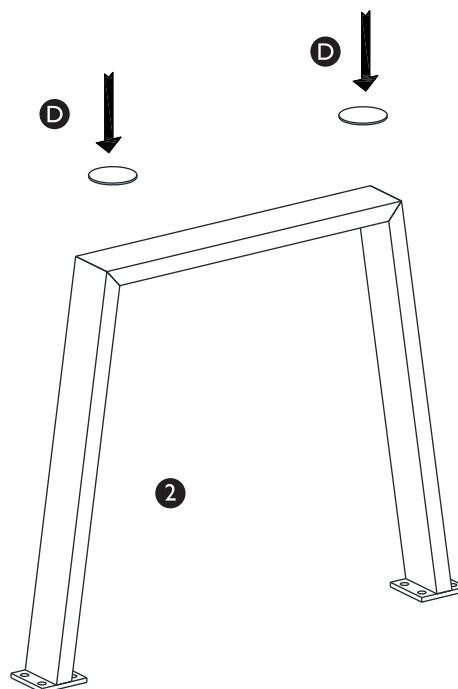
# Product assembly

Calia Dining Table  
836 03002

## Step 1

Parts, fittings and tools

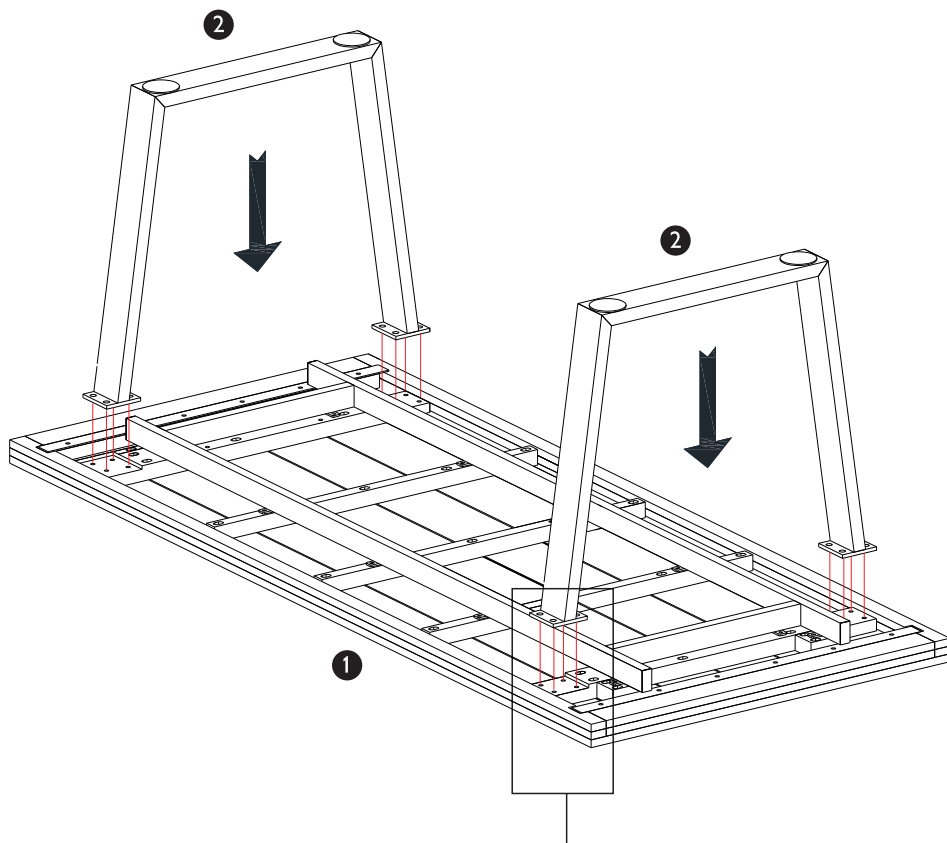
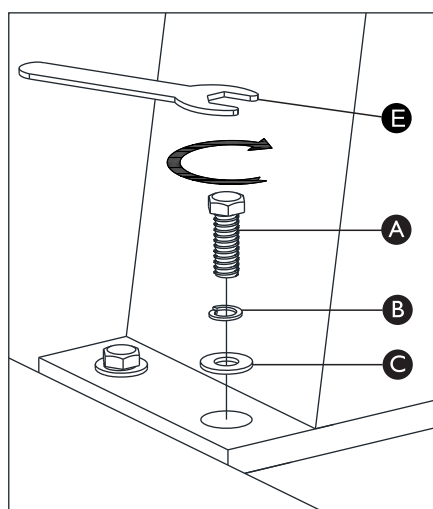
2 D



## Step 2

Parts, fittings and tools

1 2  
A B C E



## Care guide

### Care and maintenance

#### Wood furniture

Wood displays different grain patterns depending on which way they are cut –for example, the ‘medullary ray’ which can appear on oak furniture is a mark of good quality timber-these are just characteristics of the natural beauty of the wood. Some furniture is also deliberately aged and rustic.

Wood veneers also allow a distinctive pattern to be created on some surfaces, such as tabletops and drawer fronts by the way slivers are arranged.

All timber and veneer surfaces will change colour and mellow over time. New furniture will initially vary in shade from items that have been previously purchased.

#### How to care for your wood furniture

Your Calia furniture should be dusted or wiped over with a damp cloth. Do not use abrasive cleaner. Spray polishes are best avoided as they contain silicones which may spoil the furniture’s surface when building up over time.

Make sure all surface are protected from heat and liquids by mats and coasters. Wipe up spills immediately and ensure that a mat or pad is placed under if you are writing.

Our furniture will endure most temperatures in the home, but it is best to avoid placing furniture next to heat sources such as radiators or fires. Be particularly careful with solid wood as the lack humidity caused by home heating can cause damage such as warping.

#### How often should the piece of furniture be treated with oil?

1. Preferably already before use
2. The surface should be treated when necessary, and we suggest as often as every three months

#### How do you apply the oil to the piece of furniture?

1. Apply plenty of oil with a clean cloth. Table tops must be treated underneath as well as on the top side. (Do not drop oil on the floor!)
2. After 15 minutes, polish with a sandpaper sponge or fine sandpaper (no. 150) along the grains of the wood
3. Polish off remaining oil with a clean, dry cloth
4. Do not use the item, until the oil is completely absorbed

Your piece of furniture is already oil treated from the factory.

We recommend to use Woca “Worktop oil – natural” – item no. 527713AA (0.75 L) – available at <http://www.wocadenmark.co.uk>

#### Safety instructions

Never drag furniture when moving it, always lift it.

Periodically check all fixings to ensure none have come loose and retighten when necessary.

Please take care when handling or moving the furniture as careless handling may cause damage or injury.

Furniture can be dangerous if incorrectly installed. Assembly should be carried out by a competent person. No liability will be accepted for damage or injury caused by incorrectly installed or assembled furniture.

Retain these instructions for future reference.