

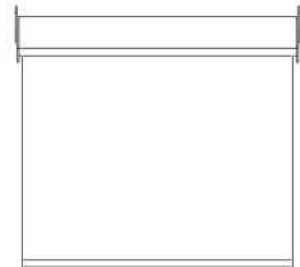
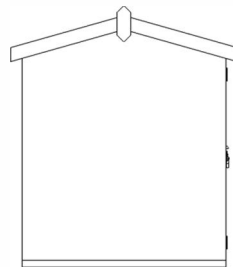
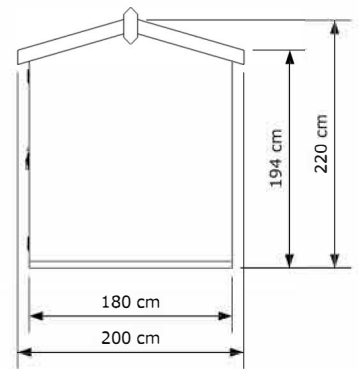
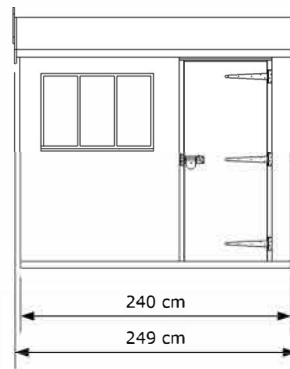
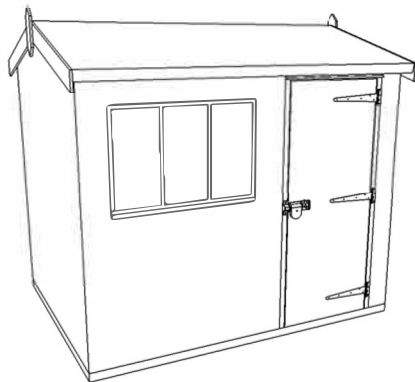


# CRANE

GARDEN BUILDINGS

## PRODUCT INFORMATION GUIDE

### CRANE WINDSOR GARDEN SHED 1.8 X 2.4M



#### PRODUCT SPECIFICATIONS

**Dimensions External:** H220 x W180 x L240cm

**Internal Height:** H194 (to eave)

**Door:** Single door with zinc plated T hinges.

**Windows:** 4mm thick toughened glass windows.

**Roof:** Covered with heavy duty propane torched on mineralised roofing felt.

**Floor:** Tongue and groove floorboards treated with an oak preservative

**Security Lock:** High security 5 lever lock.

#### Guarantee: 5- Year Guarantee

Our confidence in the superior quality of both the materials we use and our craftsmanship in creating garden buildings is unwavering. To demonstrate this assurance, we offer a guarantee of 5 years. This guarantee not only reflects our commitment to excellence but also provides you with peace of mind, that in the event of any issues arising down the road, you can confidently turn to us for a prompt and effective resolution. Your satisfaction and the enduring durability of our buildings are paramount, and our guarantee stands as a testament to our dedication to your long-term enjoyment and peace of mind.

#### PREPARING A BASE

Crane Garden Buildings will send you a base plan once your order has been placed, it is important that this plan is followed.

Although all Crane Garden Buildings have timber floors you will need a ready prepared concrete base before you take delivery. It must be solid, flat, level and the correct angles at corners.

It's necessary to stress the importance of having a solid, level concrete base for your building, as it's crucial to support the building structure. Crane are unable to install the building if the base is not level (when tested with a spirit level).

All buildings, irrespective of style, also require clearance around the structure to aid installation, maintenance, redecoration and air circulation, as well as to allow space for the roof overhangs and fascias. Therefore Crane require at least 30cm around all sides of your building.

If you have any queries regarding this, please contact Crane Garden Buildings directly.



# CRANE

## GARDEN BUILDINGS

## PRODUCT INFORMATION GUIDE

### USEFUL INFORMATION

#### PLANNING PERMISSION

Most Crane Garden Buildings fall within modern planning regulations. Please visit [PlanningPortal.gov.uk](http://PlanningPortal.gov.uk) where you will find up-to-date information on regulations for outbuildings and more information about planning and building regulations.

#### PAINT COLOURS

All Crane Garden Buildings are finished in a fully opaque micro porous paint that protects the exterior timber. Our range of colours have been developed to fully complement your garden and its surroundings. The exact colour may vary slightly to the picture shown on the website so we recommend you order for reference a free paint sample by clicking on the link on the product page.

#### OUR TIMBER

We are an FSC certified company and we partner with a timber mill in North Sweden who is also FSC certified thus ensuring a constant supply of high quality certified timber. We use Scots Pine which is sourced from an area of forest that has been growing for more than 130 years at latitudes above 650 North. In these conditions the trees are slowly grown making the timber more dense which ensures a high quality, close grain less susceptible to dead knots. The mill manages their forests in a sustainable way replanting each tree. All of this cut timber is then independently inspected, classified and stamped to ensure traceability and quality before being shipped to the UK. 90% of the timber waste produced at our workshops is used to fuel our heating system, thereby we use no fossil fuels. The remaining waste we produce is sorted for recycling.

#### WHY CRANE GARDEN BUILDINGS?

Crane Garden Buildings are proud to be a UK manufacturer of superior garden buildings of all types for over 50 years. Based in Norfolk we are a family run business renowned for our exceptional quality, expertise and timeless design. All our buildings are manufactured to order on site in our Norfolk factory by skilled craftsmen where our workmanship is monitored to achieve and sustain high standards of quality and finish. We have a strong commitment to our delivery service, liaising with customers and meeting their expected delivery times. Your order will be delivered and fully assembled in your garden by our experienced team of fitters. As an FSC certified company we behave in a sustainable way, reducing our impact on the environment by sourcing our wood from renewable sources.

