

LEXTON EASY FIT SHADE

INFORMATION LEAFLET

Thank you for purchasing this pendant shade. Please read the enclosed information carefully before use to ensure safe and satisfactory operation of this product.

Warnings

Ensure that your pendant wiring is clamped correctly both in the ceiling and in the lampholder, and that the cable is in good condition. We recommend that it is at least 100mm in length.

This fitting can be fitted to either a E27/ES or a B22/BC type lampholder by using the shade reducer plate.

Before installing your light fitting always switch off the mains supply and remove the appropriate fuse or switch off the appropriate circuit breaker before commencing installation.

If you are in any doubt about your competence please consult a qualified electrician.

If any modification is made it will invalidate the warranty and may render the product unsafe.

This product contains delicate parts – be careful during handling and maintenance to avoid breakage.

You may find it easier to install with the help of an assistant.

Product assembly

Step 1

Unpack the shade and familiarise yourself with the parts provided.
Remove the shade ring (D) from the lampholder (A).

Step 2

Pass the lampholder (A) through the top of the steel frame (B).

Step 3

If your current pendant lampholder is a standard bayonet lampholder (B22/BC) the shade reducer plate (C) will need to be fitted to reduce the shade hole size. If your current pendant lampholder is an Edison Screw (E27/ES) there is no need to use the shade reducer plate. It should still be kept in case the pendant is moved to another lampholder.

Step 4

Refit the shade ring (D) to secure in place.

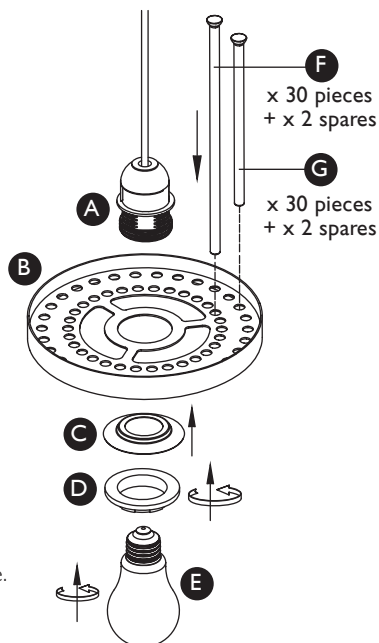
Step 5

Fit the bulb (E). Max power: 10W LED E27 or B22 GLS bulb for maximum brightness. Lower wattages are also suitable.

Step 6

Attach the glass rods (F & G) by placing into the holes in the steel frame.
Make sure the shorter rods (G) are placed in the outer holes.

Your light is now ready to use.



Cleaning

Clean the fitting with a soft dry or damp cloth. Do not use abrasive chemical cleaners as this will damage the finish. Glass parts - just use a damp cloth. Do not use abrasive materials as these will damage the finish. Take care when handling glass parts to avoid damage or injury.