

MABEL TABLE LAMP

INFORMATION LEAFLET

Thank you for purchasing this table lamp. Please read the enclosed information carefully before use to ensure safe and satisfactory operation of this product.

Warnings

This is a Class II product and must NOT be earthed.

It is for indoor use only, and not suitable for a bathroom location.

Do not plug into the mains until your lamp is fully assembled. It must be used on a stable, flat surface.

Under no circumstances must this table lamp be covered with any material as this could pose a safety hazard.

When manoeuvring the lamp it must be lifted from the bottom section.

The lamp must be protected by a 3 Amp fuse in the mains plug.

If you are in any doubt, please consult a qualified electrician.

For your safety, always switch off the power supply before cleaning or changing the bulb.

Always use correct type and wattage bulb. Never exceed the wattage stated.

If the mains cable becomes damaged it must only be replaced by a technically competent, qualified person to avoid a hazard. Ensure cables do not present a trip hazard or strangulation hazard.

This product contains glass so care must be taken when fitting or handling to prevent personal injury or damage to the product.

This product contains glass so care must be taken when fitting or handling to prevent personal injury or damage to the product.

Please note: Marble is a natural material with a variety of mineral inclusions that alter depending on the area it is sourced from. The variations in veining, colour and texture are natural characteristics which make each piece unique.

Product assembly

Step 1

Carefully unpack the carton and place the lamp on a stable, flat surface.

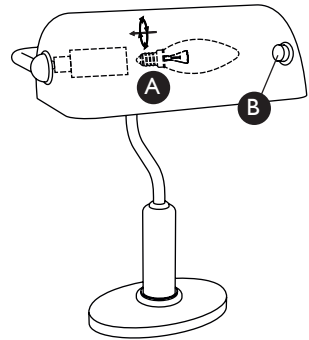
Step 2

Fit the recommended bulb (A). Max. 6W LED E14 Candle.


Step 3

Loosen the finial (B) on the inside of the shade and carefully adjust the shade to the required position. Re-tighten the finial.

Plug in and switch on. Your table lamp is now ready for use.



Recycling

This symbol  indicates that this product should not be treated as normal household waste and it should be recycled. John Lewis & Partners do not operate instore take back, but as members of the Distributor Take Back scheme have funded the development and upgrade of recycling facilities across the UK. Please take it to your nearest collection facility or for further details contact your local council or visit www.recycle-more.co.uk.

Cleaning

Clean the fitting with a soft dry cloth. Do not use abrasive chemical cleaners as this will damage the finish.

Glass parts - Just use a damp cloth. Do not use abrasive materials as these will damage the finish. Take care when handling glass parts to avoid damage or injury.

John Lewis plc
SWIV 2QQ
johnlewis.com



Product Code:
70620525
27/11/2025

Made in China

Please retain this information for future reference.