



# **ASSEMBLY AND CARE INSTRUCTIONS**

## Sanctuary Wood-Effect Hammock



**This is an important document.**

**Please retain for future reference.**

**Please keep your receipt of purchase. Please note we are unable to process any warranty claim without proof of purchase.**

# Care Instructions

- **During adverse weather conditions, particularly strong winds or rain**, ensure the hammock is taken down and stored indoors to prevent damage to the fabric and frame.
- **Do not exceed the maximum weight capacity** specified for the hammock to avoid potential damage or injury.
- **Keep the hammock away from sharp objects** or rough surfaces that could tear or damage the fabric.
- **Clean the fabric and ropes regularly** with mild soap and water to prevent the accumulation of dirt and mildew. Ensure it is thoroughly dried before storing.
- **Check the safety ropes and attachments regularly** to ensure they are not fraying or loosening.
- **For safety purposes**, always ensure the hammock is securely attached to its frame or support before use.
- **Avoid placing the hammock near open flames** or sources of extreme heat to prevent damage to the fabric and other components.
- **Store the hammock in a dry place** when not in use to extend its lifespan and maintain material quality.


**Follow assembly instructions carefully**, ensuring all parts are properly fitted and tightened.

## Necessary Tools

You will find a pack within this box tied to a red ribbon which contains the fittings.







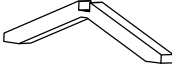



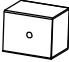

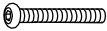


**WARNING** – the fittings pack contains **SMALL ITEMS** which are a potential choking hazard and should be kept away from children at all times.

## Assembly Requirements

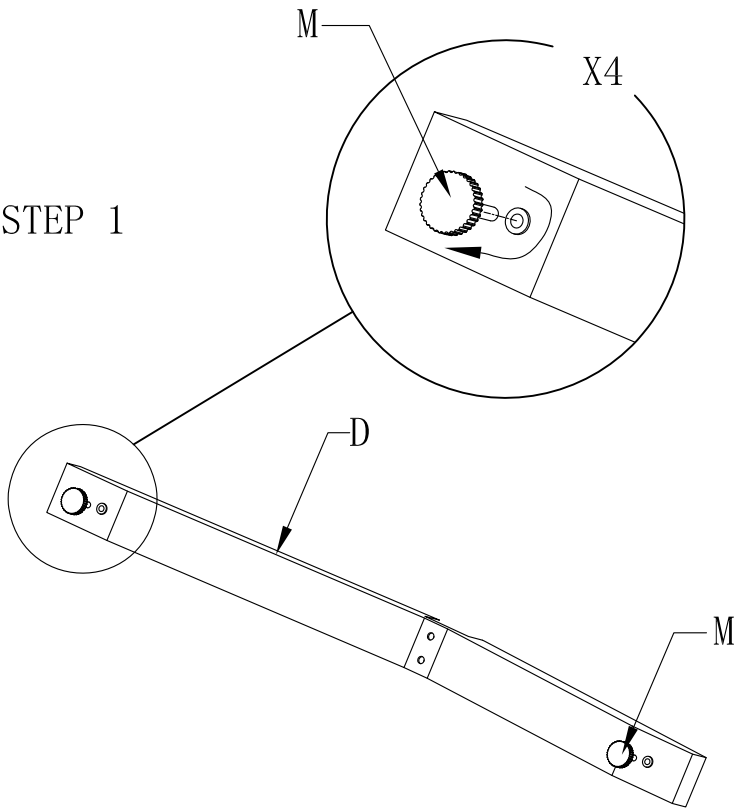
Number of people required to assemble	
Approximate Assembly time	20 minutes

**Read this leaflet in full before commencing assembly.**

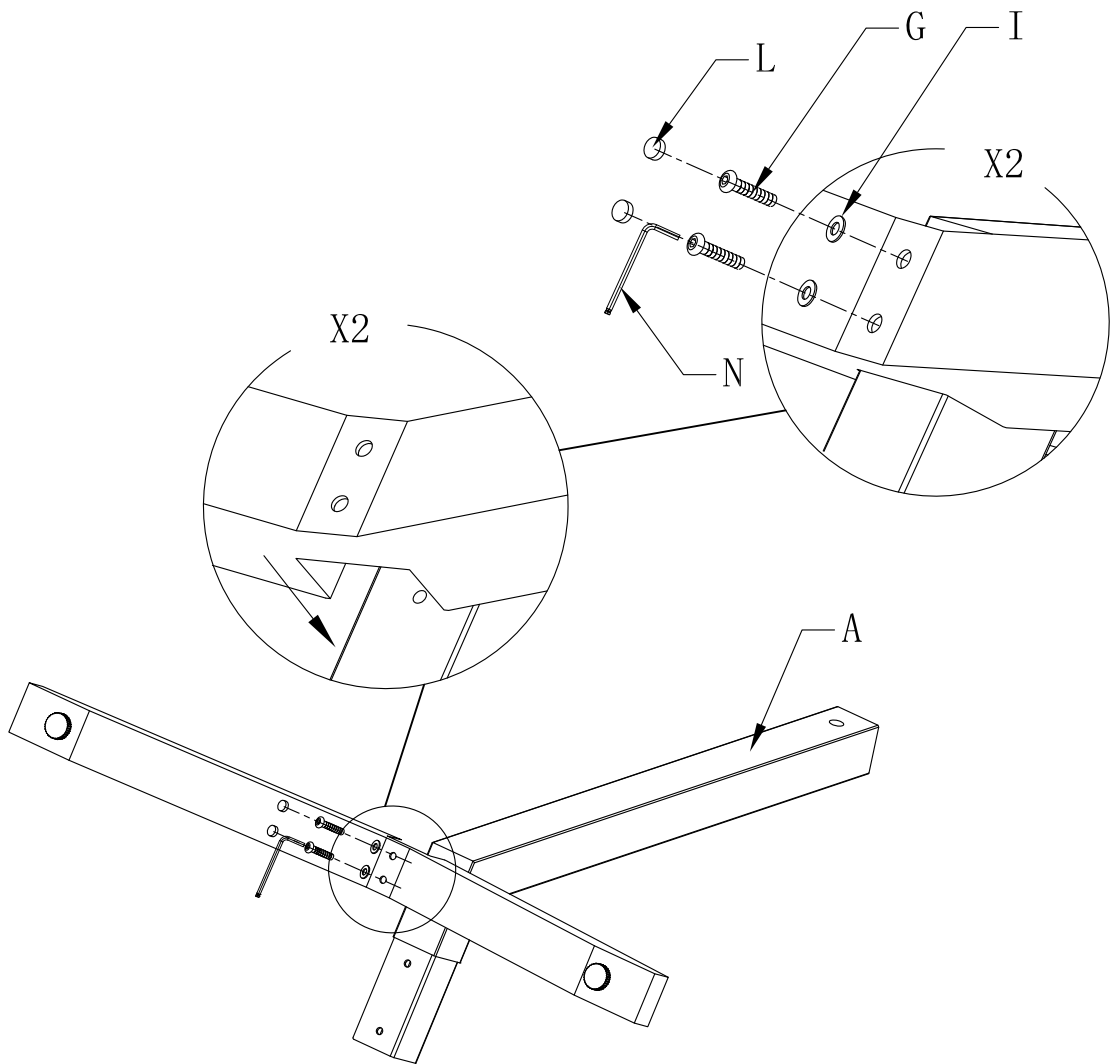
# Part List Supplied

A	SUPPORT TUBE		2	I	WASHER	 M8	14
B	HORIZONTAL TUBE 1		1	J	NUT	 M8	2
C	HORIZONTAL TUBE 2		1	K	HANGING RING		2
D	LEG TUBE		2	L	PLASTIC CAP	 M8	10
E	FABRIC		1	M	ADJUSTABLE CAP		4
F	COVER TUBE		3	N	ALLEN KEY		1
G	SCREW	 M8X45mm	4	P	SPANNER		1
H	SCREW	 M8X15mm	6				

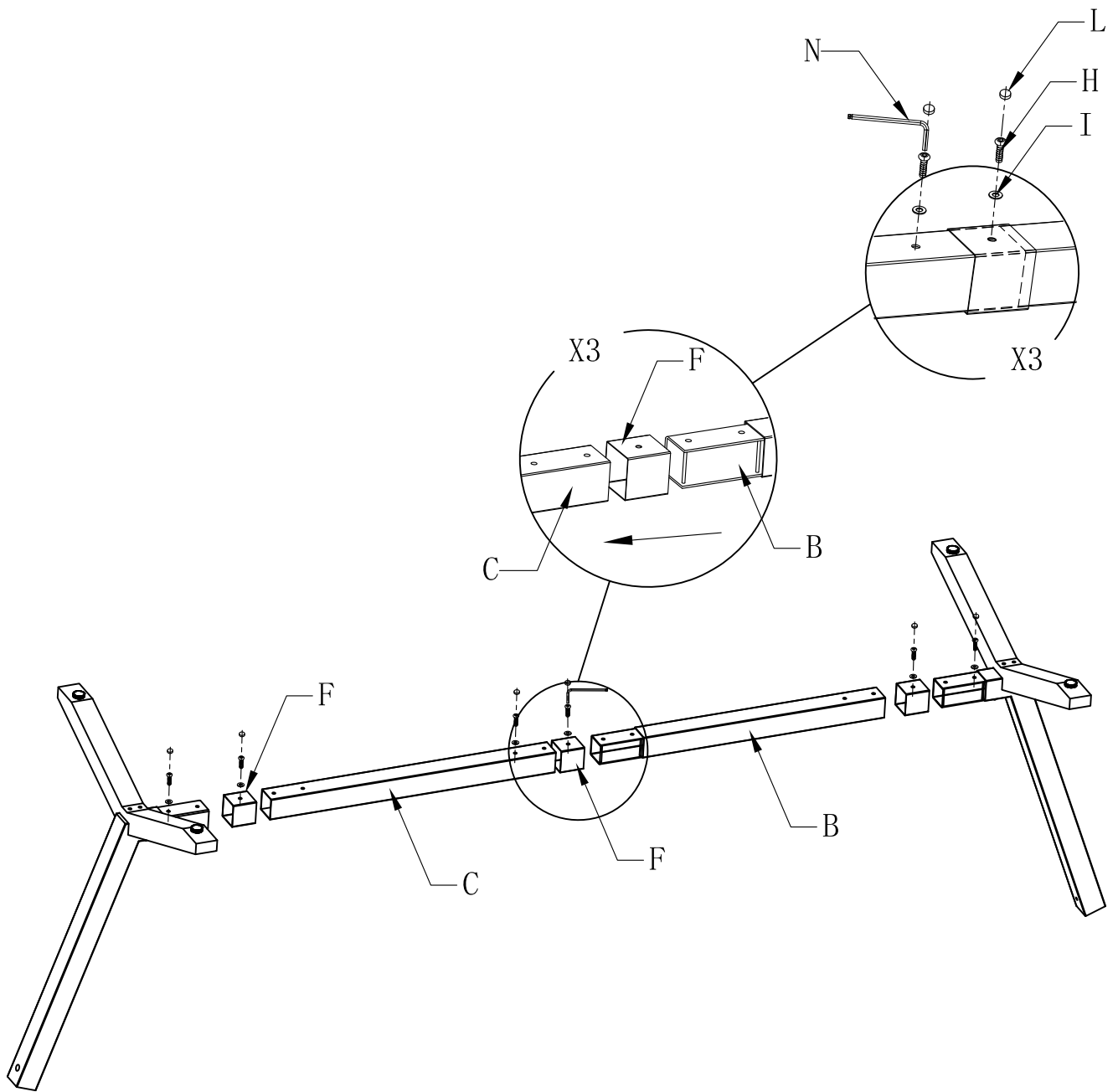
STEP 1



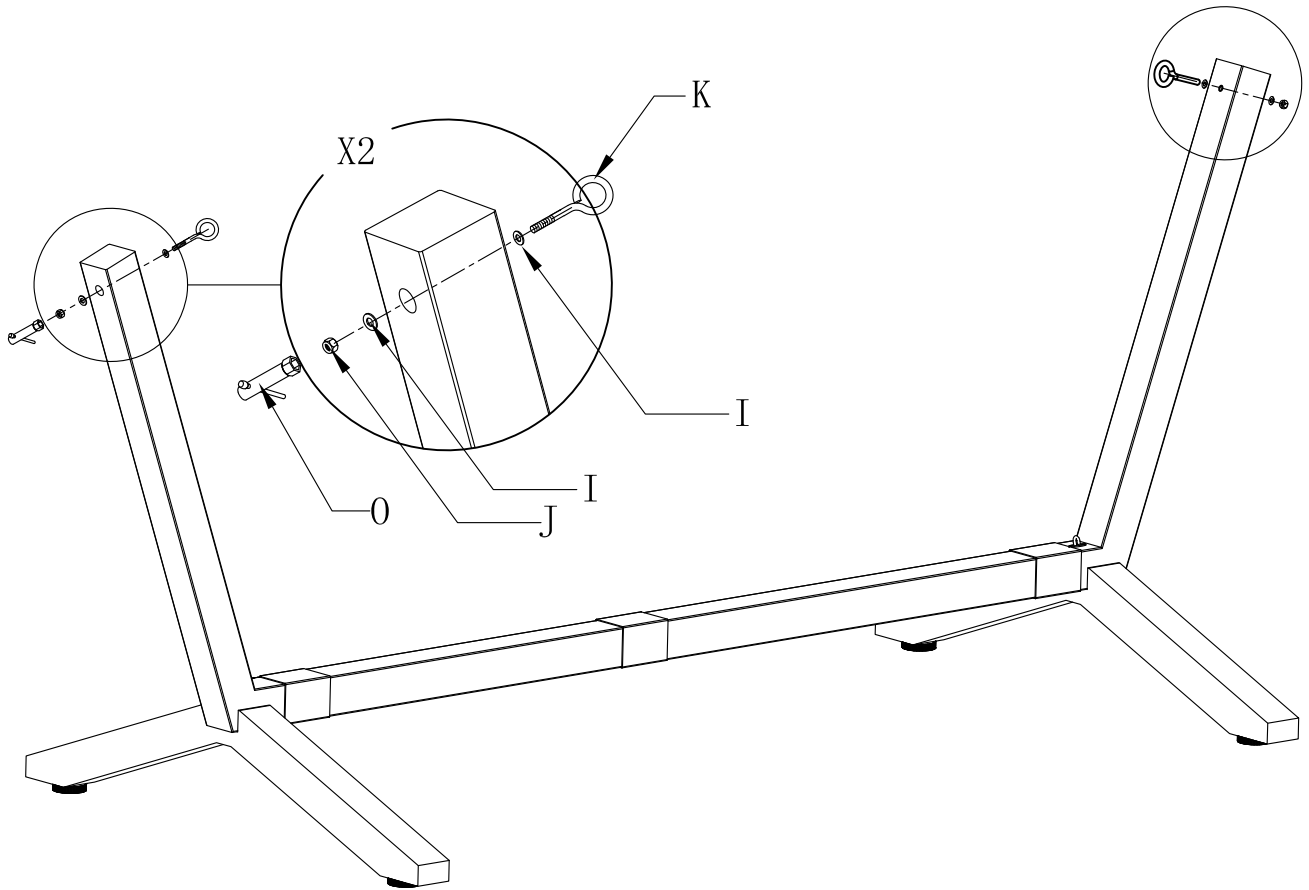
STEP 2



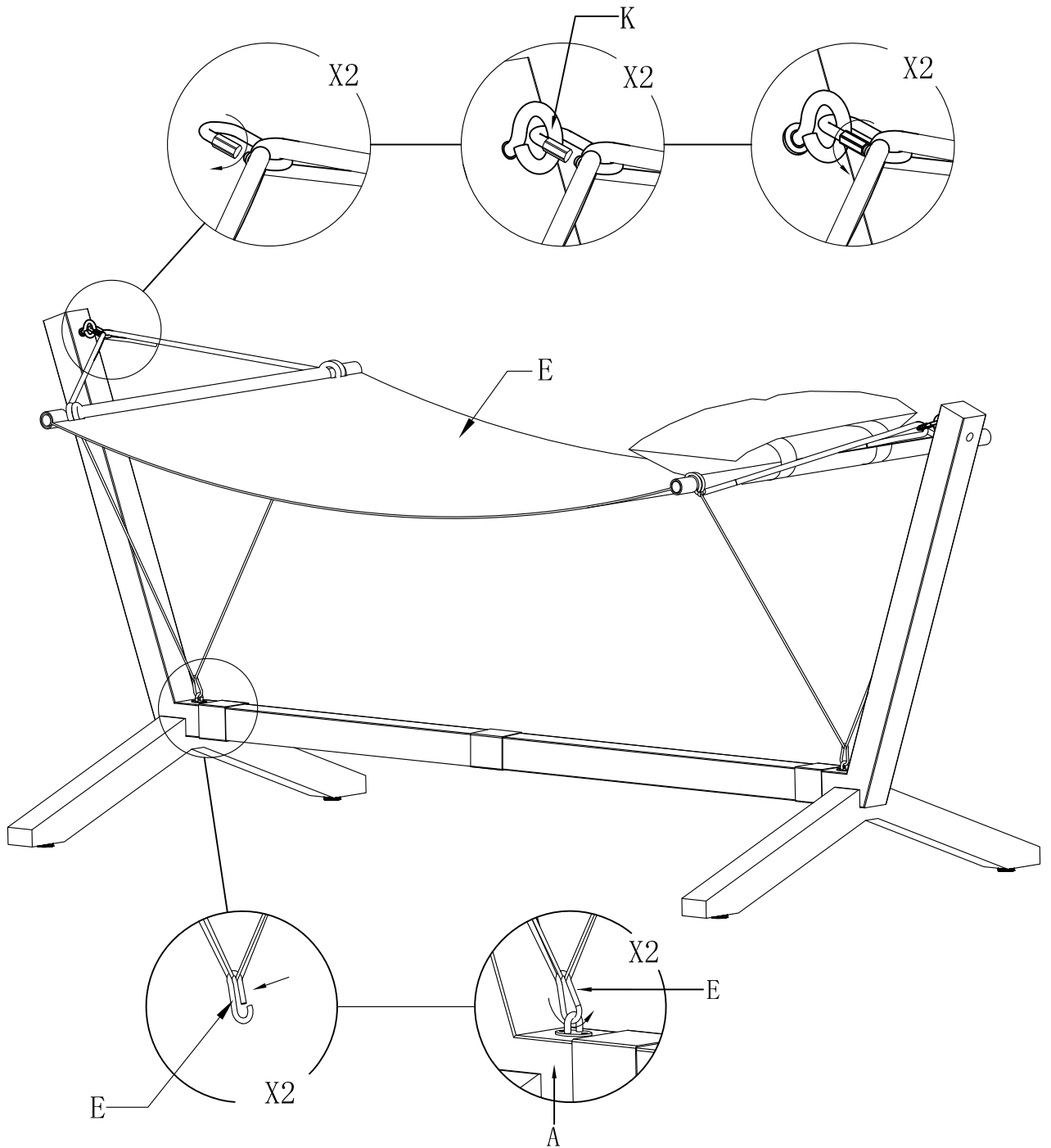
STEP 3



STEP 4



STEP 5



# General Warranty Conditions

The warranty applies to the original purchaser from the date of purchase and covers manufacturing faults and defects only. If an item should fail as a result of a manufacturing fault or defect under normal domestic use, the manufacturer at their discretion will repair, refinish or replace the failed item.

The manufacturer reserves the right to substitute failed items with a similar product should the model or colour no longer be available. Any replacement will be for the failed item only, not a complete set. The original warranty period is not extended in the event of a repair, refinish or replacements.

In the event of a failure, it is the customer's responsibility to return the item to the store of purchase along with a copy of the receipt. LG Outdoor will confirm that the customer has registered their warranty. Warranty specifically excludes general wear and tear, rusting of steel components and parts, corrosion, commercial use and damage caused as a result of failure to observe reasonable care, maintenance and assembly instructions for both furniture and hardware.

This product comes with a Limited Warranty which covers the following:

- **1 Year Limited Warranty - on Steel Frame - which excludes damage to the finish caused by corrosion, scratching, pitting, flaking or oxidisation.**
- **1 year limited Warranty on – All other materials.**

LEISUREGROW 

Dewmead Farm  
New Inn Road  
Hinworth  
SG7 5HG  
consumer@leisuregrow.com