

## Product information

- Indoor use only
- Dimmable - When used with dimmable bulbs
- Replacement bulbs should be the same type and rating, available from John Lewis Partners or other established brands
- Clean the fitting with a soft dry cloth. Do not use abrasive chemical cleaners as this will damage the finish

## Aftercare and Troubleshooting

### You've switched on the light, but it's not working:

1. Check your power supply is switched on
2. Turn off the light and check that the bulb is inserted correctly
3. Check the bulb is still in working order

If there are technical issues with this product that you can't solve, please contact your nearest John Lewis & Partners shop or call Technical Support on 03301 230106.


## Specification

Max power: 1 x 10W  
Recommended bulb:  
10W LED E27 GLS bulb for maximum brightness.  
Lower wattages are also suitable.  
Rated input: 220 –240V, 50Hz  
Bulbs not included  
IP rating: 20  
Weight: 0.31kg

## 5-year guarantee

At John Lewis & Partners we test every light to high quality standards. That means we can offer you a 5-year guarantee.

## Recycling

This symbol  indicates that this product should not be treated as normal household waste and it should be recycled. John Lewis & Partners do not operate instore take back, but as members of the Distributor Take Back scheme have funded the development and upgrade of recycling facilities across the UK. Please take it to your nearest collection facility or for further details contact your local council or visit [www.recycle-more.co.uk](http://www.recycle-more.co.uk).

John Lewis plc  
SW1V 2QQ  
[johnlewis.com](http://johnlewis.com)

Made in China

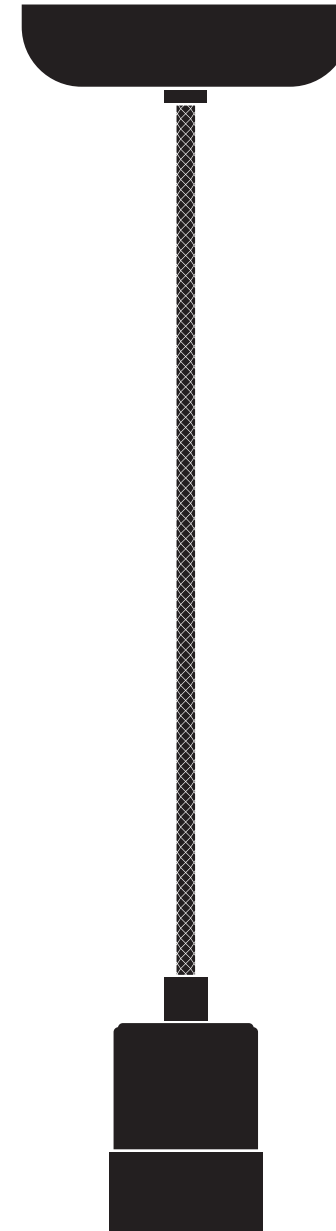


21/08/2024

Please retain these instructions for future reference.



# SCANDI PENDANT CORD USER GUIDE



Thank you for purchasing this John Lewis & Partners product. Please read the instructions carefully before use to ensure safe and satisfactory operation of this product.

## Warnings!

This is a Class II product and must NOT be earthed.

For your safety, this product must be installed in accordance with local Building Regulations. If in any doubt, or where required by the law, consult a competent person who is registered with an electrical self-declaration scheme. Further information is available online or from your Local Authority. To prevent electric shock, switch off at mains supply before installing or maintaining this fitting. Ensure other persons cannot restore the electrical supply without your knowledge.

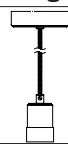



This light fitting should be connected to a 5 amp fused circuit.

This product is suitable for installation on surfaces with normal flammability e.g. wood, plasterboard, masonry. It is not suitable for use on highly flammable surfaces (e.g. polystyrene, textiles).

Ensure the correct fixings are used for the installation surface.

For your safety, always switch off the supply before cleaning or adjusting.

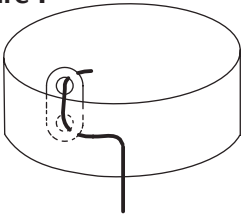
## Parts list

Parts list	Image	Qty
Light Fitting		1
Fixing bracket		1
Screws		2
Wall plugs		2

## Assembly

Refer to assembly drawings below. Carefully unpack the carton, making sure all the parts are present before assembly.

Figure 1



### Step 1

Before removing the existing fitting, carefully note the position of each set of wires.

### Step 2

See Figure 1. The hanging height of this product can be adjusted. Work out the required height and feed the cable through the cord grip until the desired height is achieved.

**Please note:** Do not loosen the screw clamp inside the ceiling cup, as this is securing the cable into the terminal block.

### Step 3

Refer to Figure 2. Remove the fixing bracket (A) from the ceiling cover by loosening the side screws.

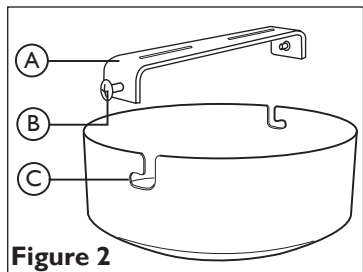


Figure 2

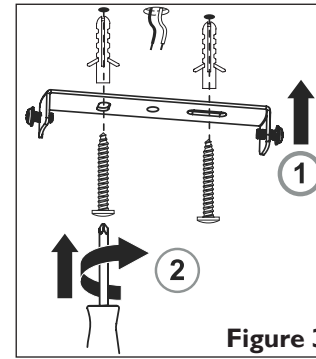
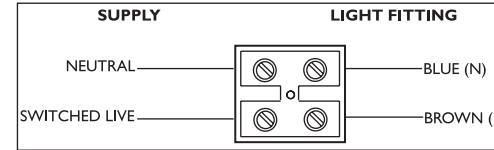


Figure 3

### Step 4

Refer to Figure 3. Attach the fixing bracket to the ceiling using the screws provided. Ensure there is a joist at the point of fixing to support the weight of the product. Take care to avoid damaging any concealed wiring and pipes.



### Check that

You have correctly identified the house wires.

The connections are tight.

No loose strands have been left out of the connection block.

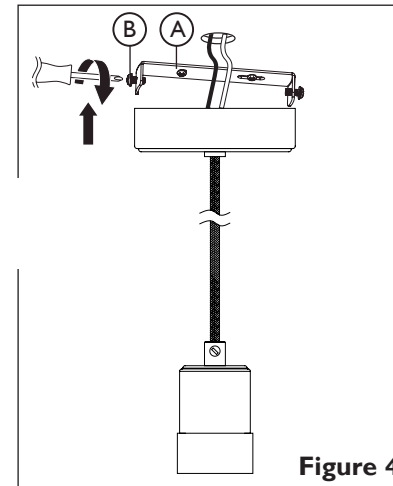


Figure 4

### Step 5

Having identified the household wiring from your existing light fitting, connect to the connection block inside the product as shown. When completed, ensure that there are no bare or loose strands of wire exposed.

### Step 6

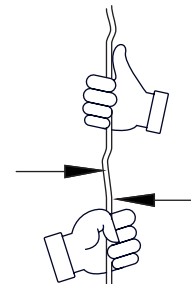
Refer to Figure 4. Attach the product to the ceiling. This product has "L" shaped fixing slots (C) to allow easy attachment to the fixing bracket, as shown in Figure 2. Locate the "L" slots around the small screws (B) on the fixing bracket (A). Rotate the ceiling cover to attach the product to the bracket. Tighten the screws to secure. Take care not to trap any wiring.

### Step 7

Fit the bulb as per the details overleaf.

### Step 8

Replace fuse or circuit breaker and switch on. Your light is now ready for use.



### Note:

During transit, the cable can become kinked. It may be necessary to straighten the cable to allow the product to hang level. Manipulate the kinked cable between thumb and fingers to straighten.