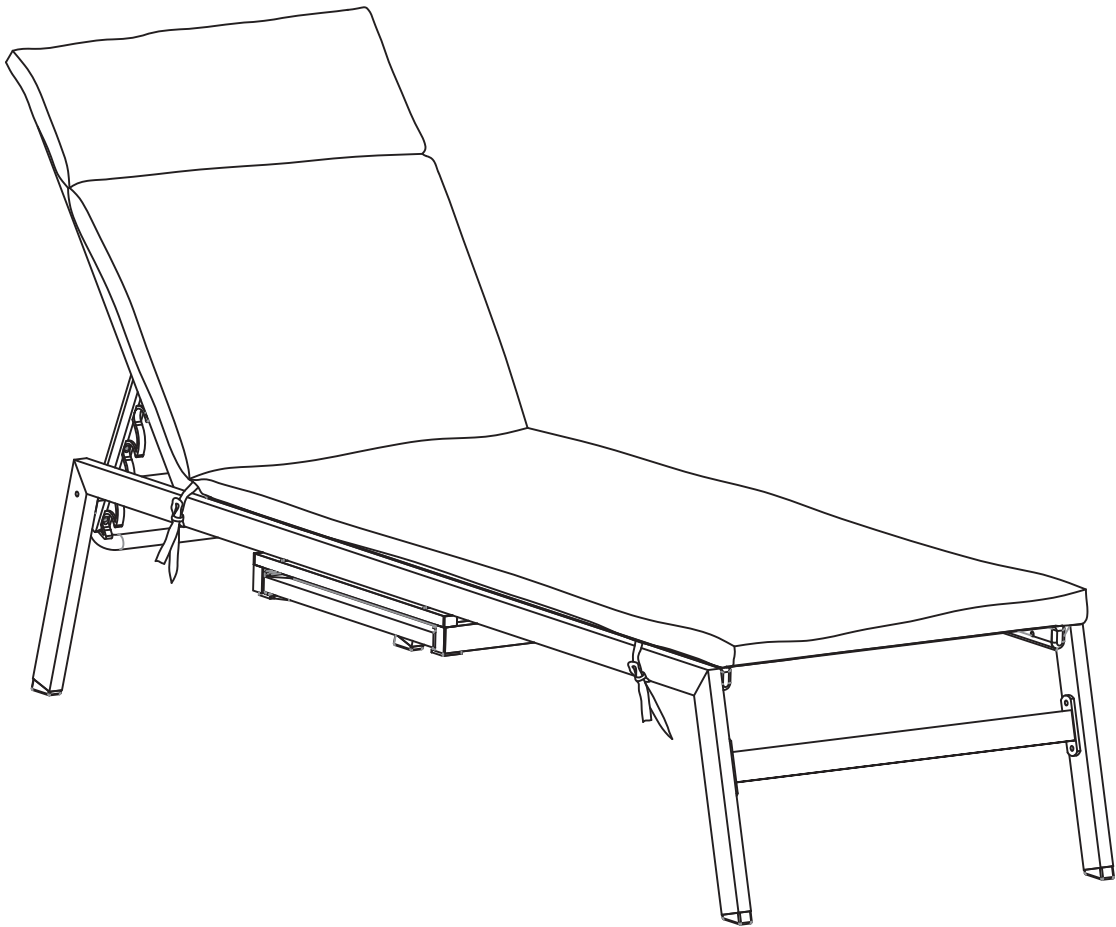




PLATFORM SUNLOUNGER

H32.6/92 W59.6 D199CM

USER GUIDE



Product Code:
82006921

Getting started

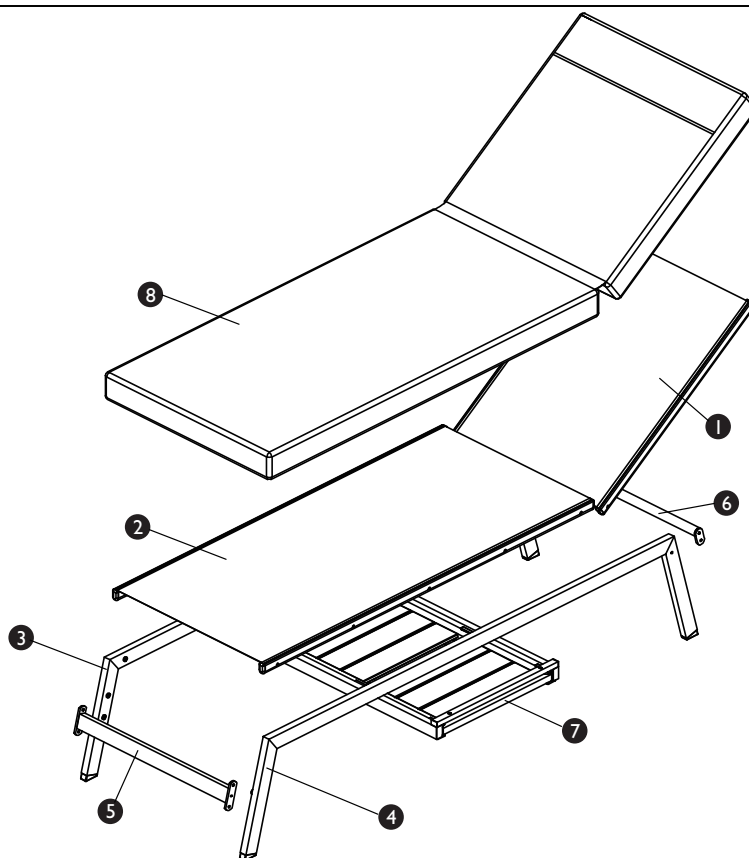
Thank you for purchasing the Plastform sunlounger. Please read the instructions and warnings carefully before use, to ensure safe and satisfactory operation of this product.

At John Lewis, we are committed to making great products possible. From our outdoor furniture Design Team, to our Buyers, we work together to bring great design to life. Our expert Product Technologists work collaboratively with our buyers and suppliers to assure the legality, safety and quality of the product we sell.

We are all committed to designing and developing products to the highest industry standards. We hope you are happy with your product and welcome any feedback or comments you may have.

John Lewis & Partners

Your sunlounger



Ref	Description	Dimensions	Qty
1	Back frame	670 x 545mm	1
2	Seat frame	1195 x 550mm	1
3	Right leg frame	1642 x 326mm	1
4	Left leg frame	1642 x 326mm	1
5	Front support tube	550 x 80mm	1
6	Back support tube	554 x 50mm	1
7	Table top	595 x 393mm	1
8	Cushion	1910 x 596mm	1

Internal dimensions

Product Code: 82006921

Sunlounger overall size: H32.6/92 W59.6 D199cm

Important safety information

Warnings

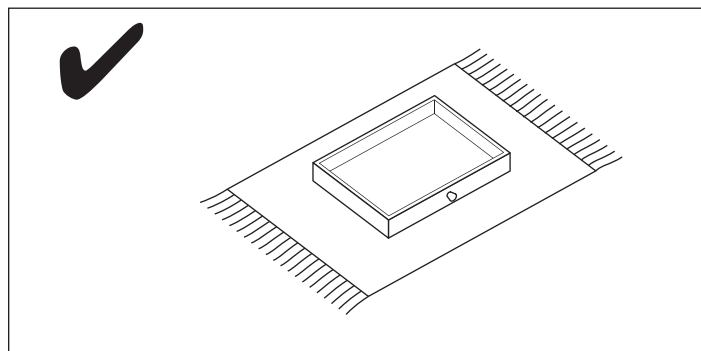
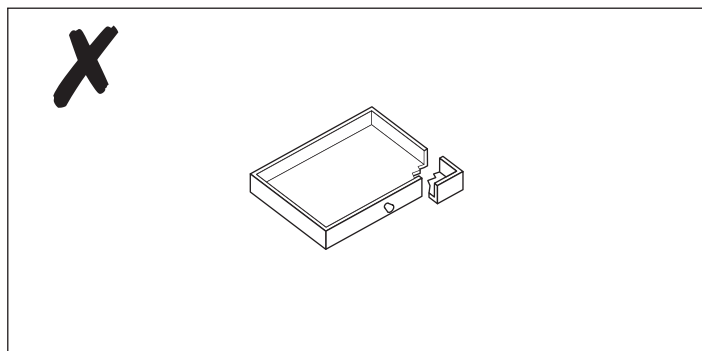
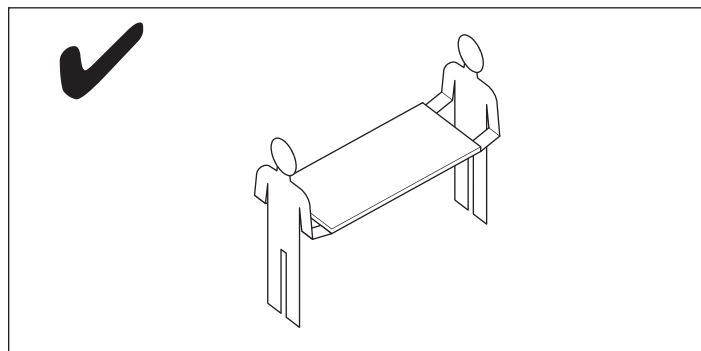
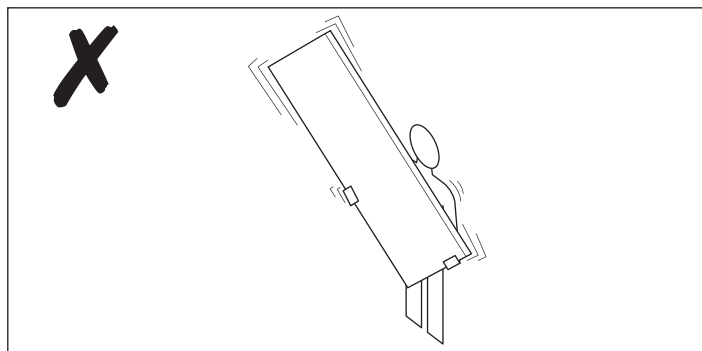
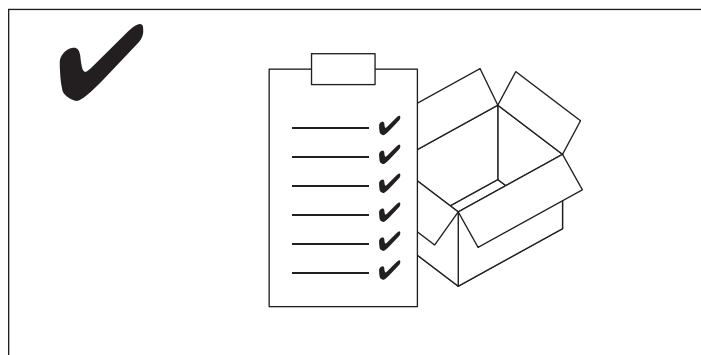
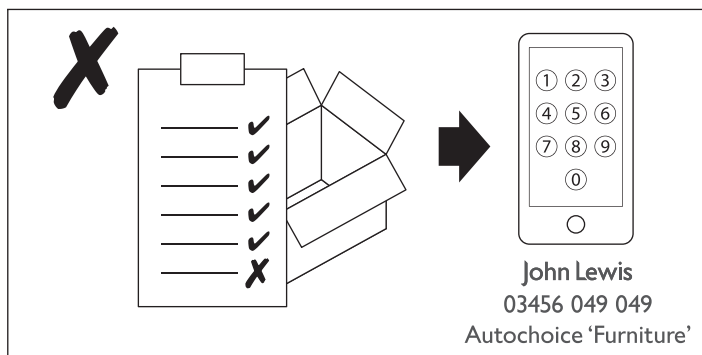
- ⚠ The product should only be used on firm, level ground.
- ⚠ Keep small parts out of reach of children.
- ⚠ Ensure the product is fully assembled as illustrated before use.

Do's

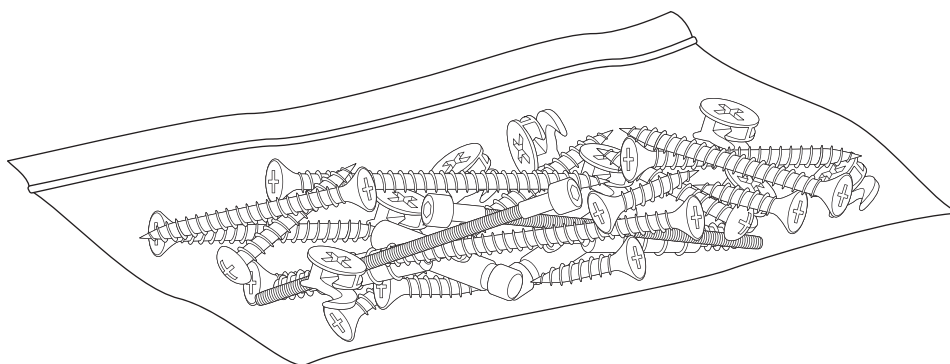
- ✓ Check the pack and make sure you have all the parts listed. Missing a part? We have spareparts available, please call our Furniture Aftercare Partners.
- ✓ Check all screws or bolts are tightened and inspect regularly.
- ✓ Make sure the legs remain in contact with the ground at all times.

Don'ts



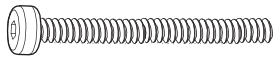
- ✗ Do not over tighten screws or bolts.
- ✗ Do not stand on the product.
- ✗ Do not use power tools to construct as overtightening and panel failure may occur.




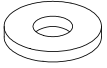


Fixtures and fittings



Fixtures and fittings
supplied (actual size)

Ref	Description	Dimensions	Qty	mm
A	Screw	M6 x 16mm	6	
B	Screw	M6 x 30mm	4	
C	Screw	M6 x 35mm	14	

Fixtures and fittings
supplied (not actual size)

Ref	Description	Dimensions	Qty	
D	Washer	D6	24	
E	Plastic washer	D6	2	
F	Cap		24	
G	Allen key		1	

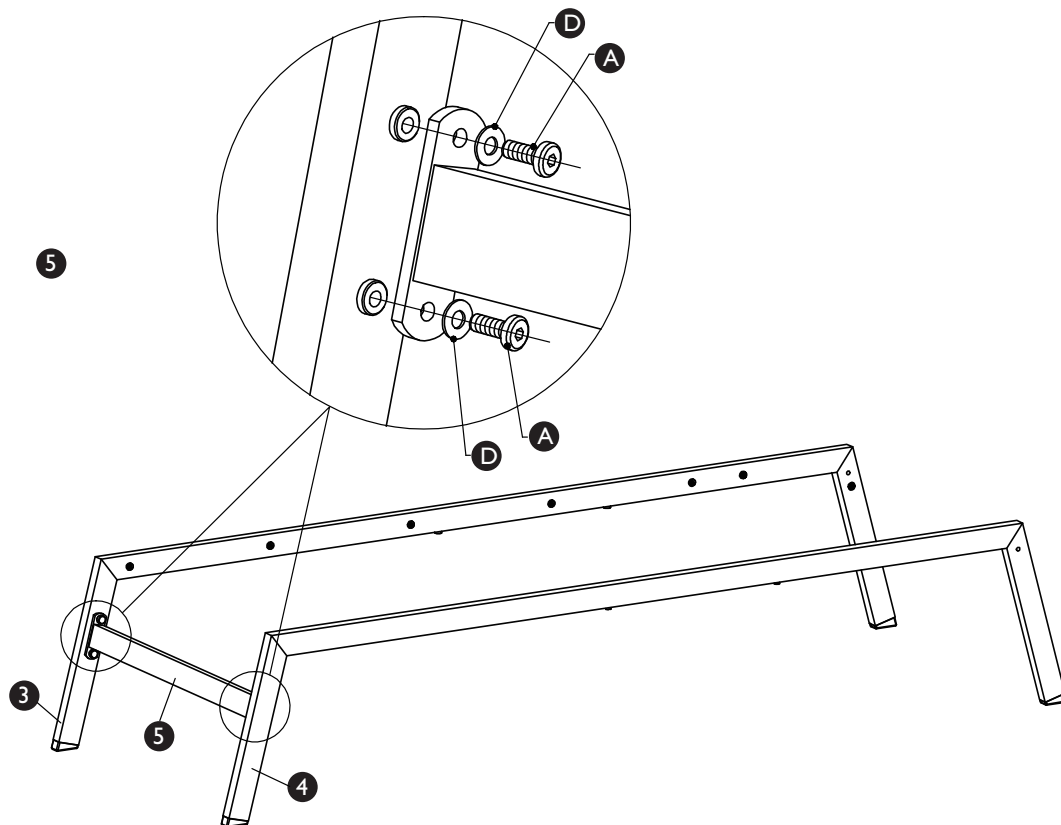
Product assembly

Platform sunlounger
82006921

Step 1

Parts, fittings and tools

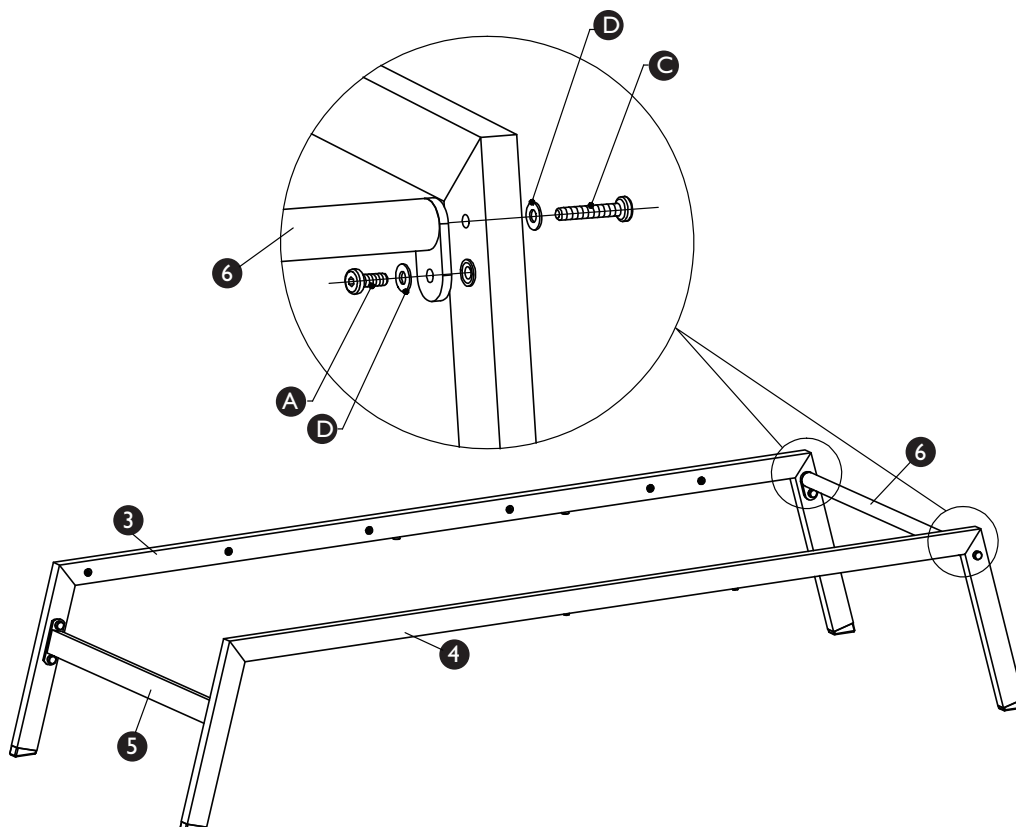
A D G 3 4 5



Step 2

Parts, fittings and tools

A C D G 3 4 5 6



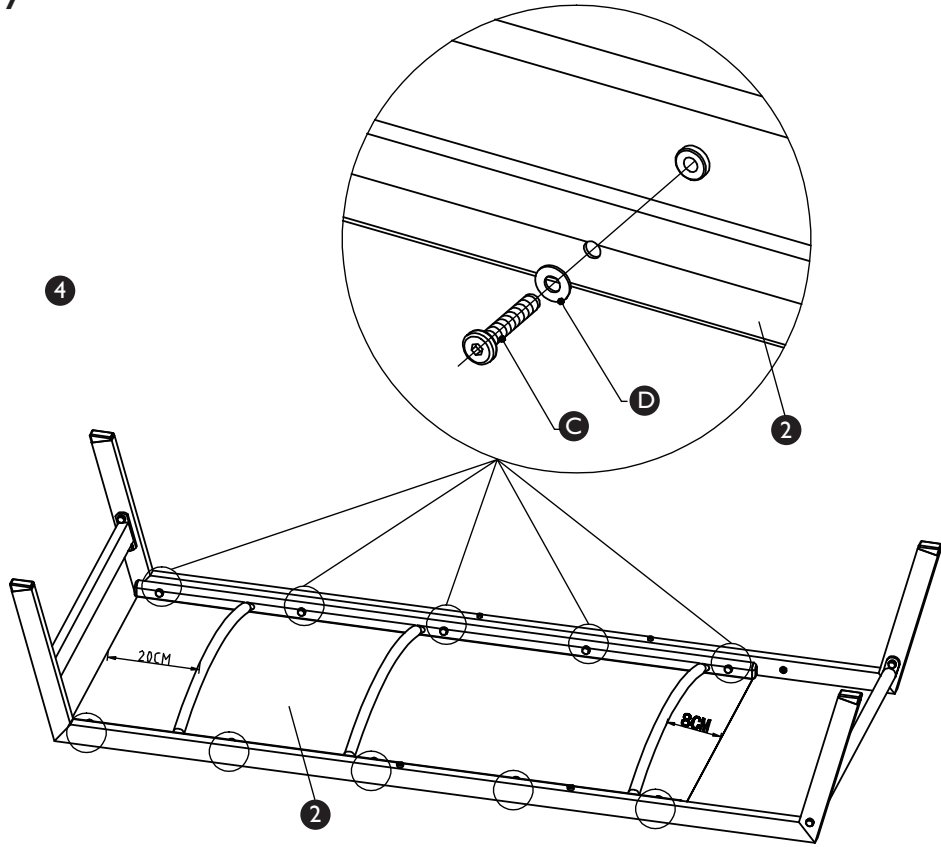
Product assembly

Platform sunlounger
82006921

Step 3

Parts, fittings and tools

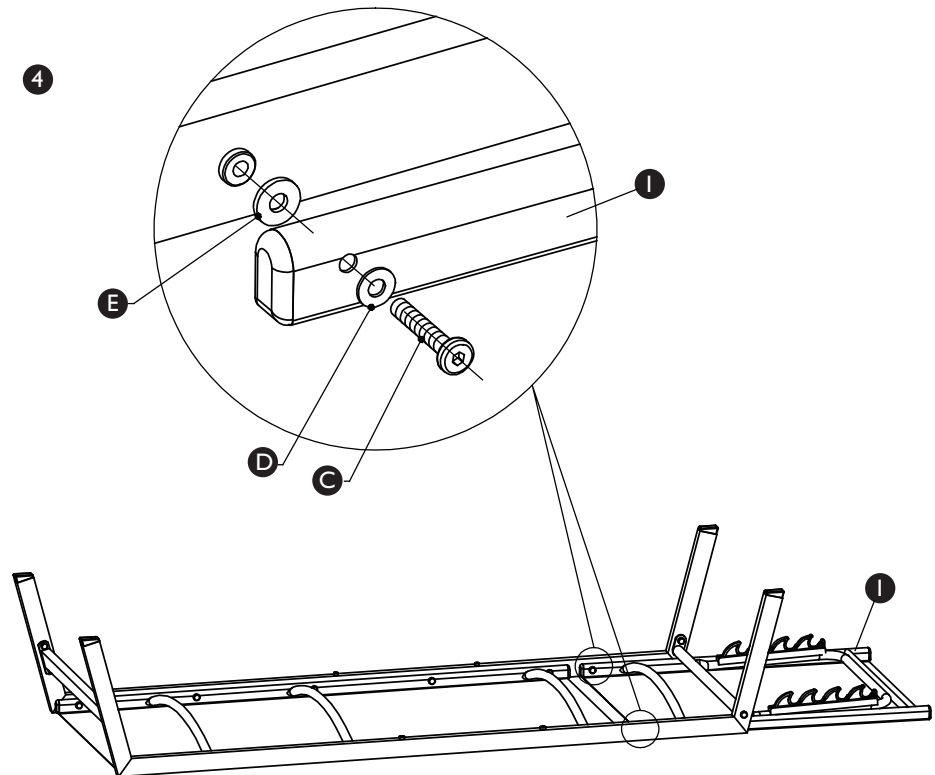
C **D** **G** **2** **3** **4**



Step 4

Parts, fittings and tools

C **D** **E** **G** **I** **3** **4**



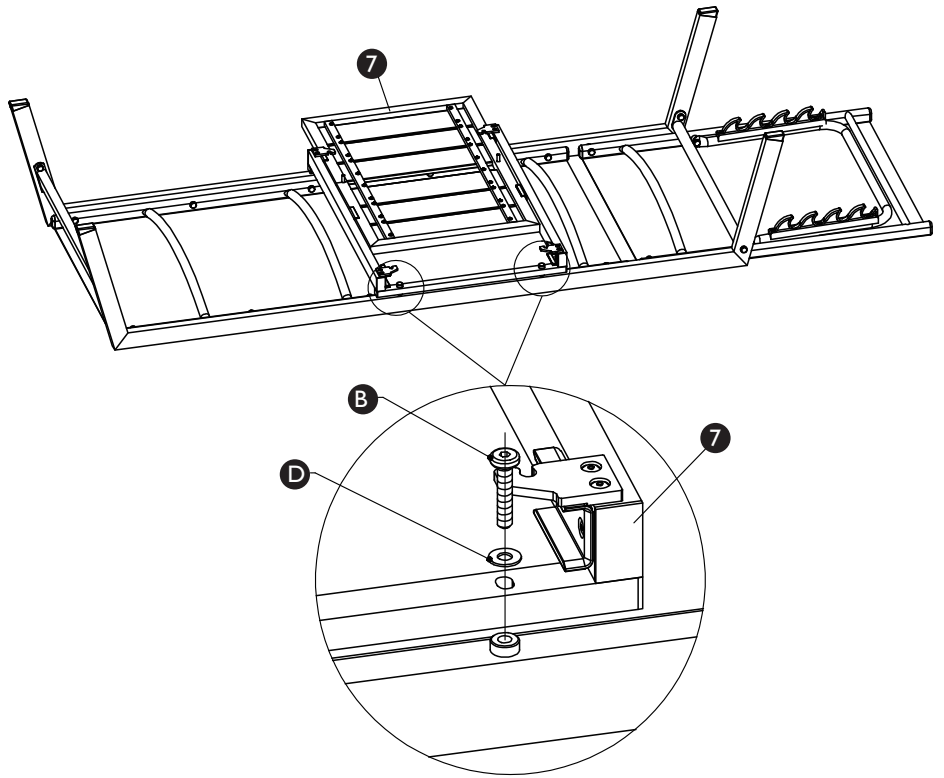
Product assembly

Platform sunlounger
82006921

Step 5

Parts, fittings and tools

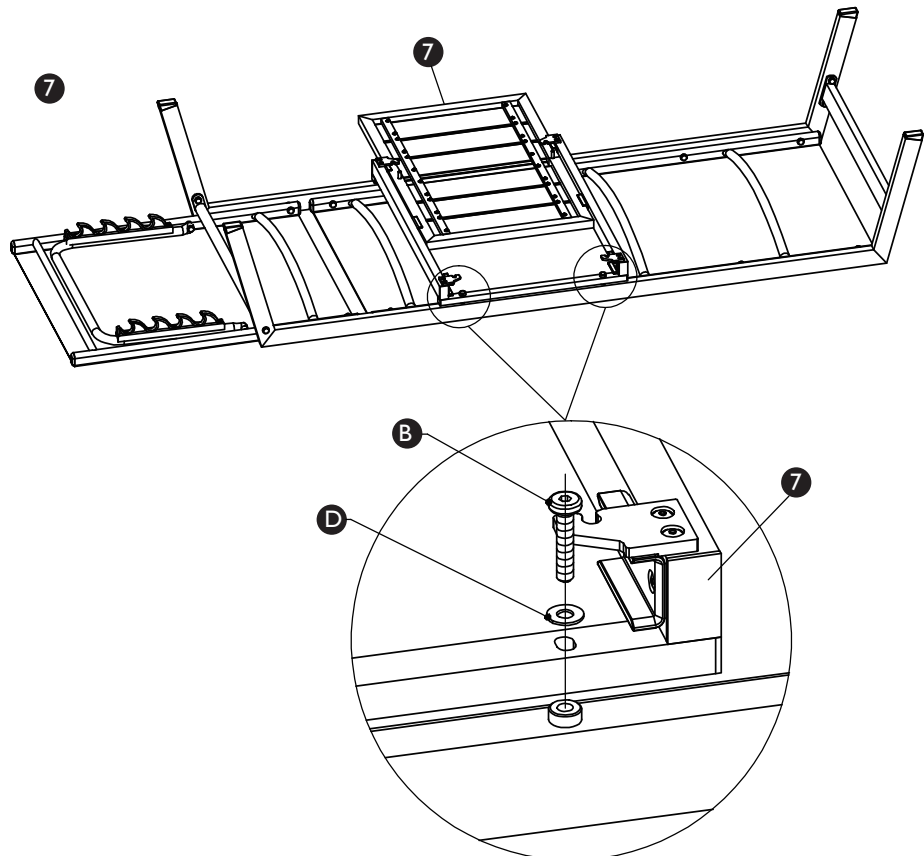
- B**
- D**
- G**
- 2**
- 3**
- 4**
- 7**



Step 6

Parts, fittings and tools

- B**
- D**
- G**
- 2**
- 3**
- 4**
- 7**



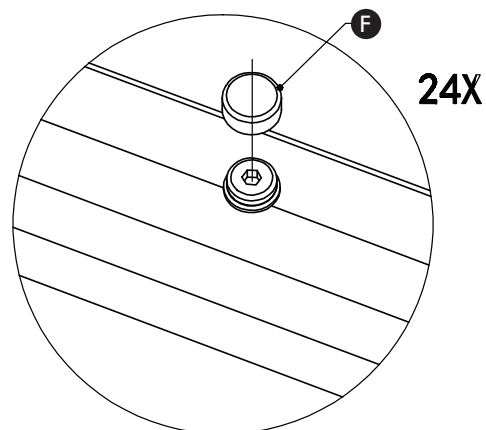
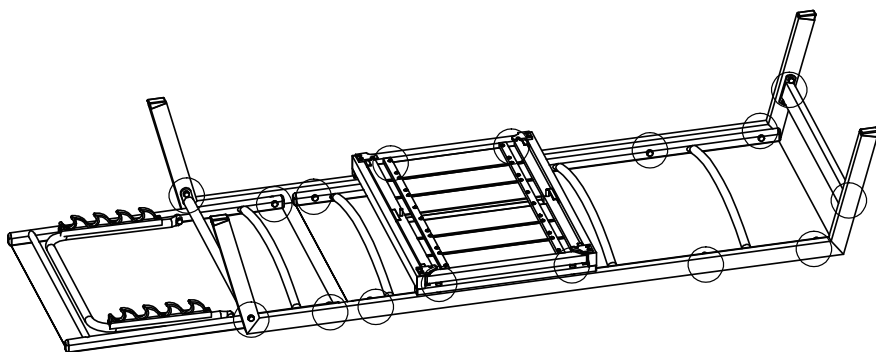
Product assembly

Platform sunlounger
82006921

Step 7

Parts, fittings and tools

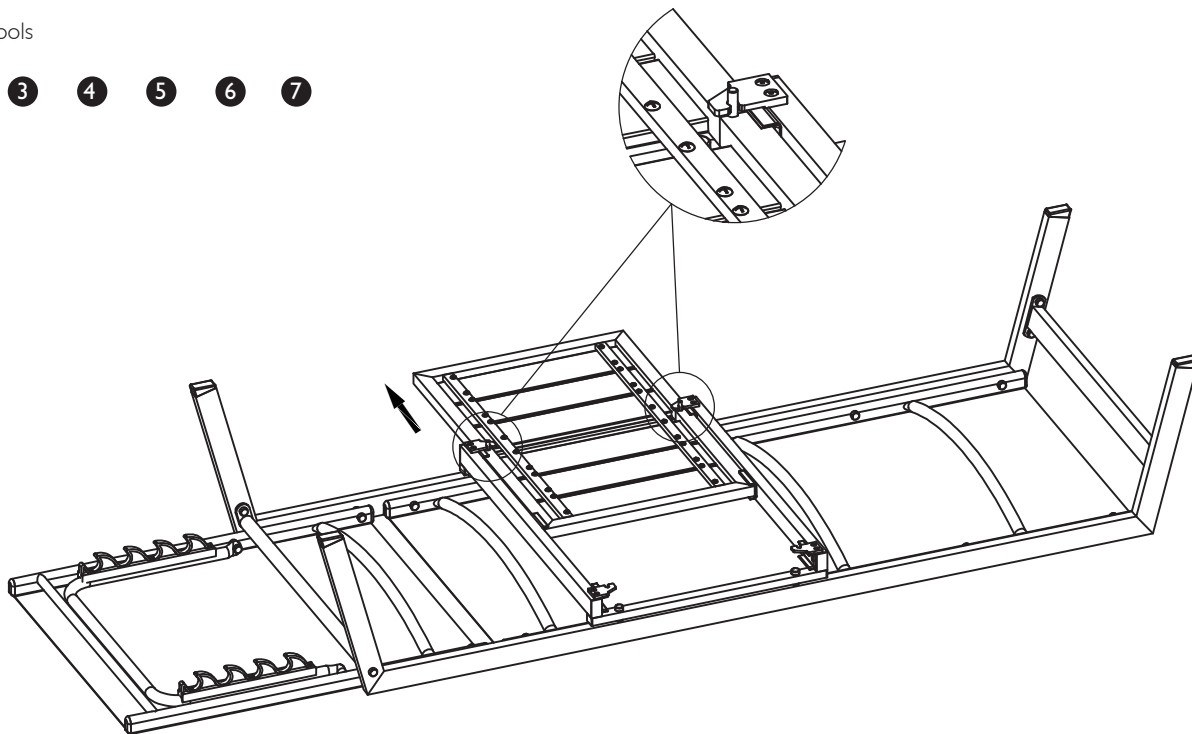
- F
- 1
- 2
- 3
- 4
- 5
- 6
- 7



Step 8

Parts, fittings and tools

- F
- 1
- 2
- 3
- 4
- 5
- 6
- 7



Pull and fix the table until an audible click is heard and then turn over the sunlounger.

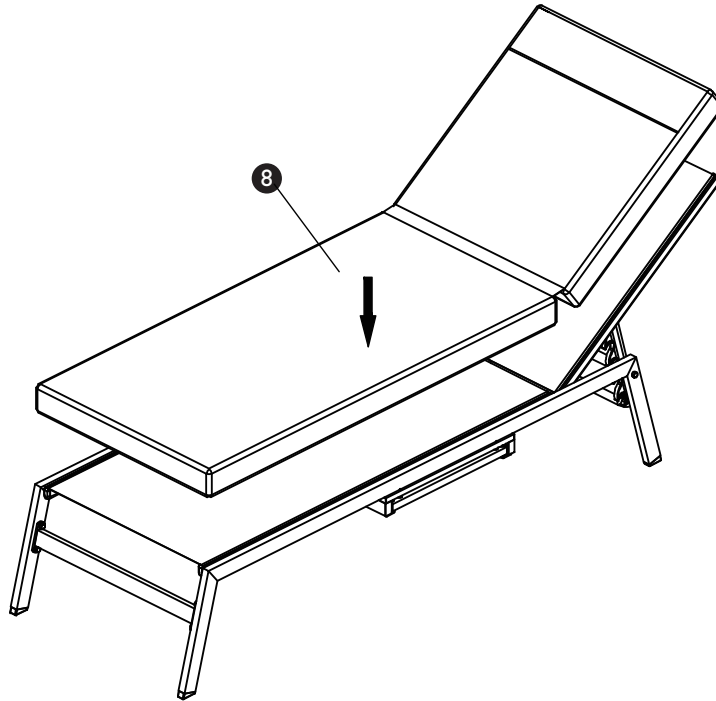
Product assembly

Platform sunlounger
82006921

Step 9

Parts, fittings and tools

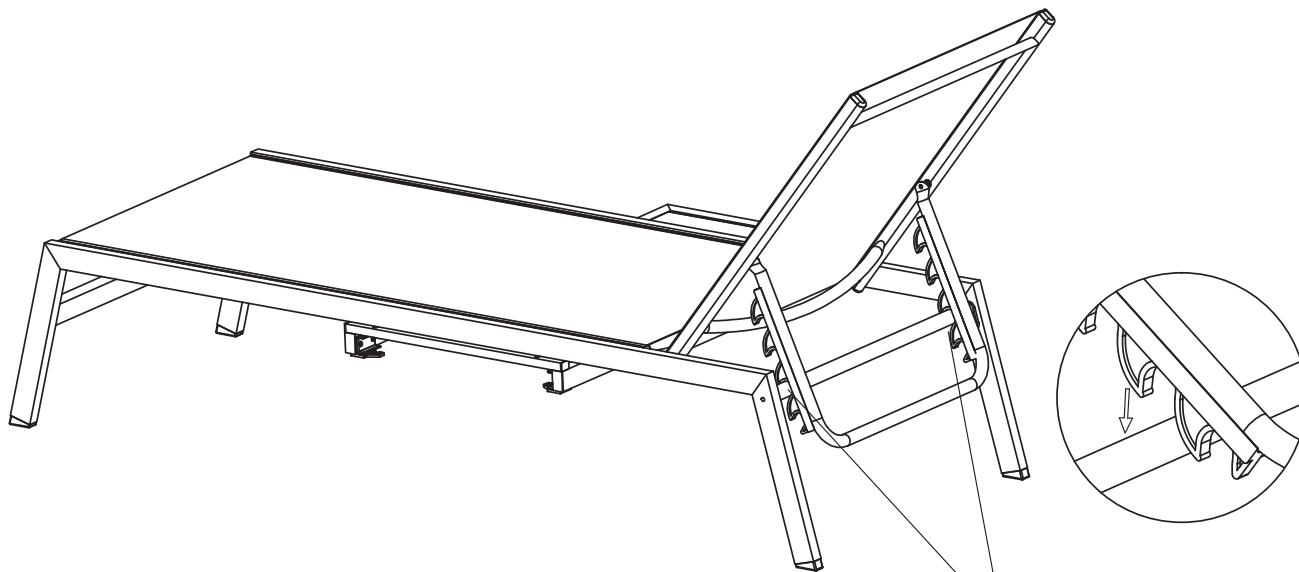
- 8
- 1
- 2
- 3
- 4



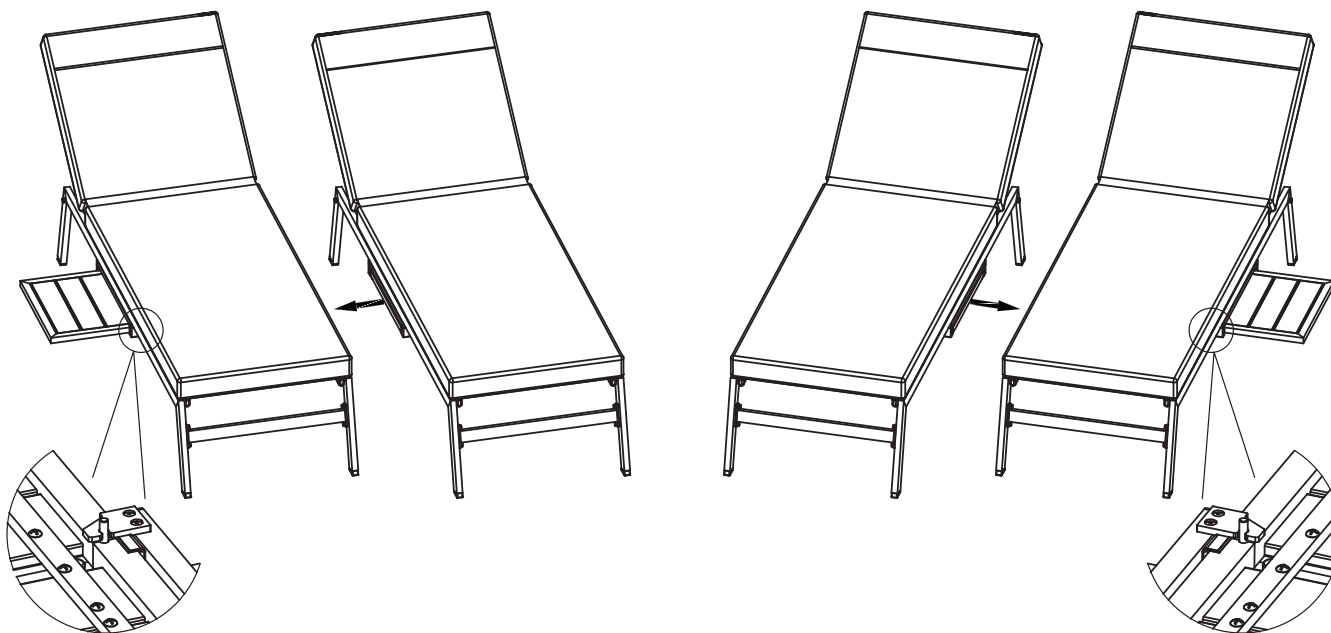
Place the cushion into the frame, the sunlounger now is ready for use.

User guide

Platform sunlounger
82006921



The sunlounger can be adjusted to 4 different back rest positions.
The backrest should be adjusted before sitting on the sunlounger.
Attention: To avoid serious injury, do not attempt to adjust the back rest while seated on the sunlounger.



Pull and fix the table until an audible click is heard.
Please noted the table can be used both side.

Care and maintenance Caring for metal furniture is generally quite easy, as it's been given a hardwearing finishing coat. Gently wash pieces with a sponge and warm, soapy water – don't scrub with anything abrasive, as this could scratch the finish. Avoid using solvent based or abrasive cleaning products or materials as they may damage the powder coating finish and reduce the lifespan of the furniture.

Do not use a wire brush when removing dirt from this item as it may damage the paint leaving the surface open.

This furniture is made from aluminium, which means it will not rust. Any chipped paint exposing the bare metal underneath is purely cosmetic and will not impact the furniture's performance. To restore the appearance, you can touch up the paintwork using car paint in a matching colour.

To extend the product life and appearance it is advisable to store the furniture in a cool dry place over winter.

Ensure that the furniture is clean and completely dry before putting into storage. Do NOT enclose the product in a plastic or other non-permeable material as this creates moisture.

If your furniture comes with cushions, when not in use it is recommended that they are stored in a clean and dry environment. Wipe up any spills immediately and always refer to the care label which will either be sewn to the back of the cushion or sewn inside if your cushion has a zip closure.

Condition of Use

This garden furniture is designed and intended for domestic use only. It is not suitable for commercial or industrial environments. Using the furniture in non-domestic settings may void the warranty and/or lead to premature wear or damage.

Safety Instructions

This chair has been designed to withstand a maximum weight of 130 kg per seat.

Never drag furniture when moving it, always lift it.

Periodically check all fixings to ensure none have come loose and re-tighten where necessary.

Please take care when handling or moving the furniture as careless handling may cause damage or injury.

This product is not a toy, it contains moving parts and as such children should be supervised at all times when using the mechanism.

Ensure that the area is clear before operating the mechanism. (Do not operate the mechanism with anybody on the product).

Do not use the chair if any part appears damaged, broken or missing.

This furniture has been designed for domestic use only.

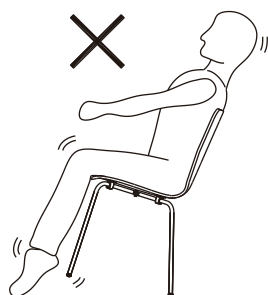
Do NOT use the chair as a ladder.

Do NOT Stand on the seat of the chair.

Never tilt the chair. Ensure the chair is always placed firmly on the ground.

Regularly check leg attachment and retighten screws as necessary.

Do not use chair if legs are unstable. Please check fixings and tighten as required.



Your feedback is very important to us and we would love to hear your comments on your new furniture. Please visit our website to leave a review. Thank you.