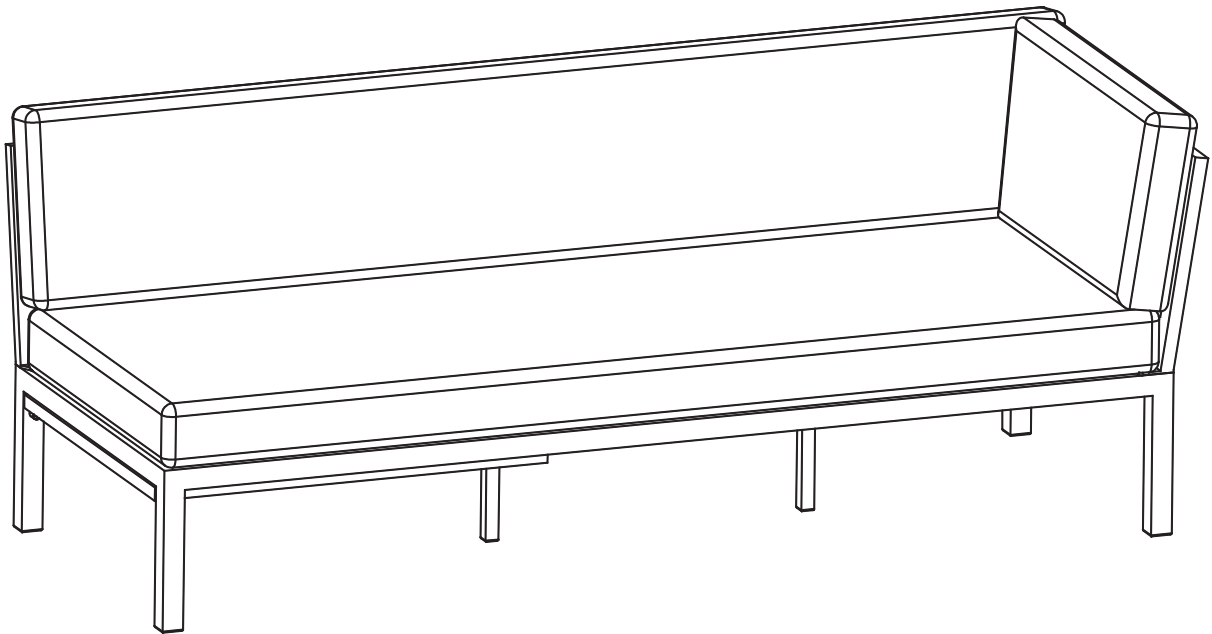




PLATFORM DINING SET-CORNER SOFA

H70.5 W201 D78CM

USER GUIDE



Product Code:

82006902
82006915
82006925

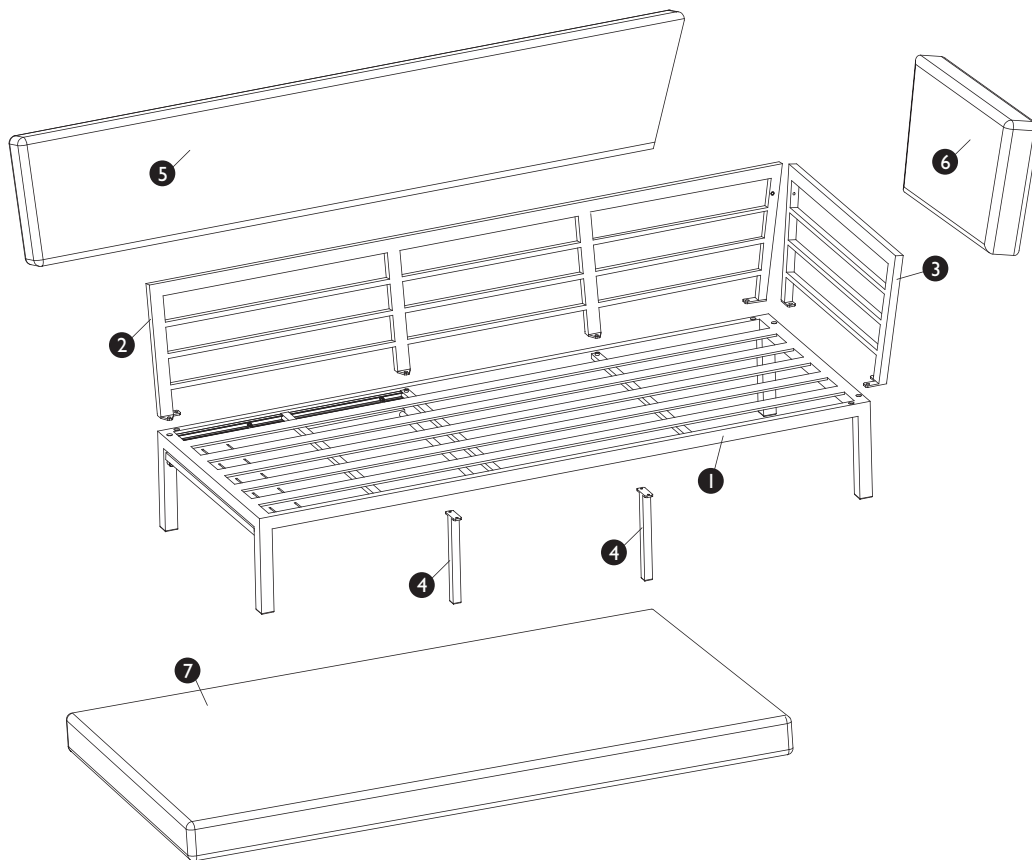
Getting started

Thank you for purchasing the Plastform dining set-corner sofa. Please read the instructions and warnings carefully before use, to ensure safe and satisfactory operation of this product. At John Lewis, we are committed to making great products possible. From our outdoor furniture Design Team, to our Buyers, we work together to bring great design to life. Our expert Product Technologists work collaboratively with our buyers and suppliers to assure the legality, safety and quality of the product we sell.

We are all committed to designing and developing products to the highest industry standards. We hope you are happy with your product and welcome any feedback or comments you may have.

John Lewis & Partners

Your sofa



Ref	Description	Dimensions	Qty
①	Seat frame	1956x734mm	1
②	Back frame	2017x400mm	1
③	Back frame	770x400mm	1
④	Leg frame	275x25mm	2
⑤	Back cushion	2020x350mm	1
⑥	Back cushion	630x350mm	1
⑦	Seat cushion	1950x710mm	1

Internal dimensions

Product Code: 82006902
82006915
82006925

Sofa overall size: H70.5 W201 D78cm

Important safety information

Warnings

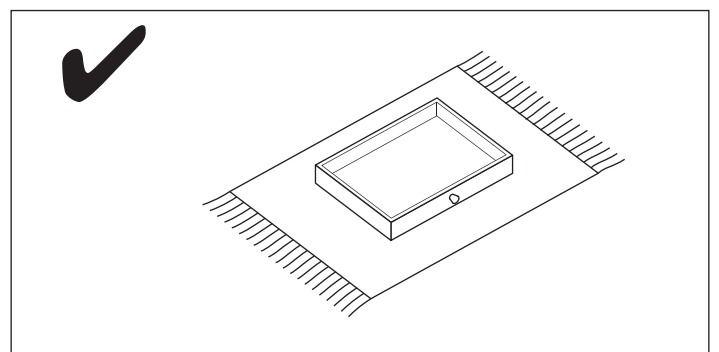
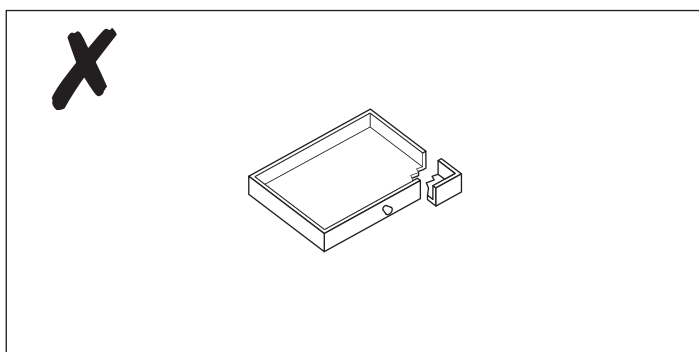
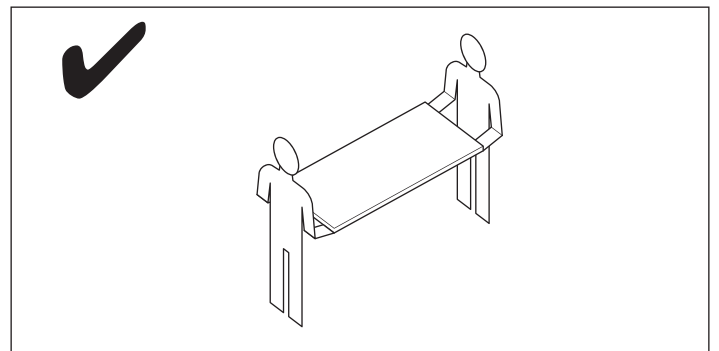
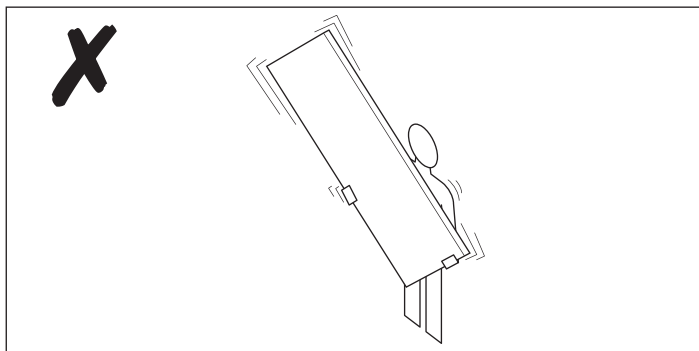
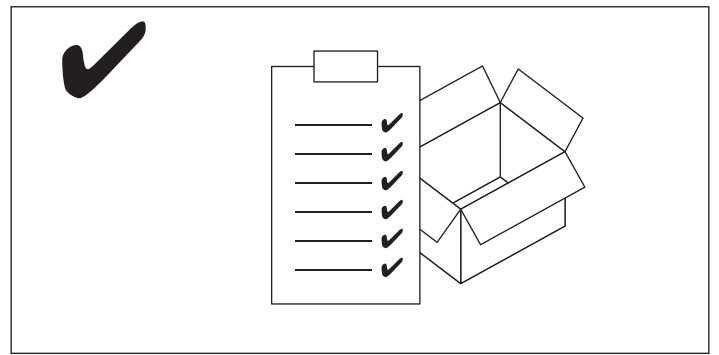
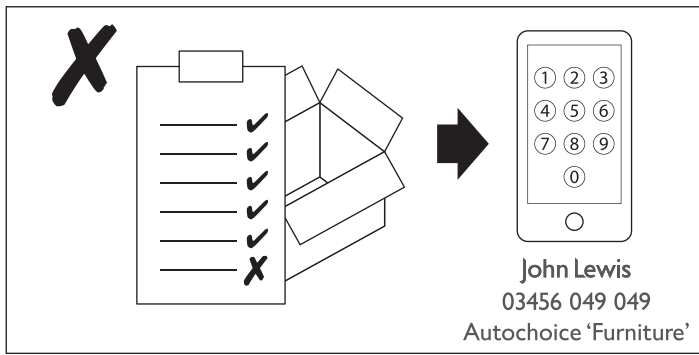
- ⚠ The product should only be used on firm, level ground.
- ⚠ Keep small parts out of reach of children.
- ⚠ Ensure the product is fully assembled as illustrated before use.

Do's

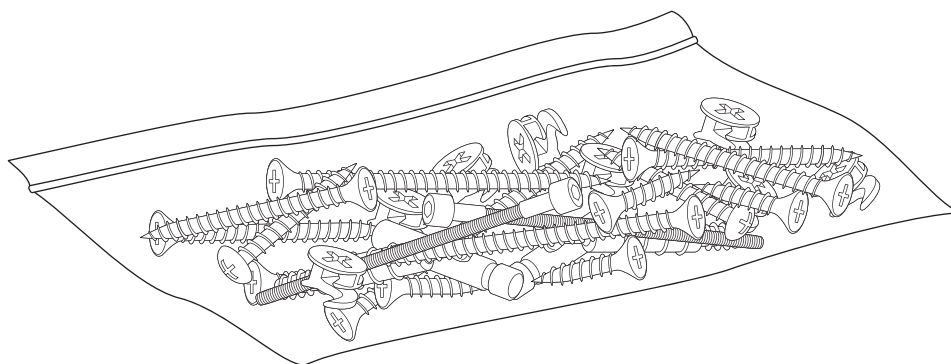
- ✓ Check the pack and make sure you have all the parts listed. Missing a part? We have spareparts available, please call our Furniture Aftercare Partners.
- ✓ Check all screws or bolts are tightened and inspect regularly.
- ✓ Make sure the legs remain in contact with the ground at all times.

Don'ts



- ✗ Do not over tighten screws or bolts.
- ✗ Do not stand on the product.
- ✗ Do not use power tools to construct as overtightening and panel failure may occur.






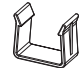
Fixtures and fittings



Fixtures and fittings
supplied (actual size)

Ref	Description	Dimensions	Qty	mm
A	Screw	M6x 20mm	12	
B	Screw	M6x 40mm	1	

Fixtures and fittings
supplied (not actual size)

Ref	Description	Dimensions	Qty	
C	Washer	12x1.1mm	13	
D	Cap	D14x6mm	13	
E	Allen Key		1	
F	Plastic clip		2	

Product assembly

Platform dining set-corner sofa

82006902

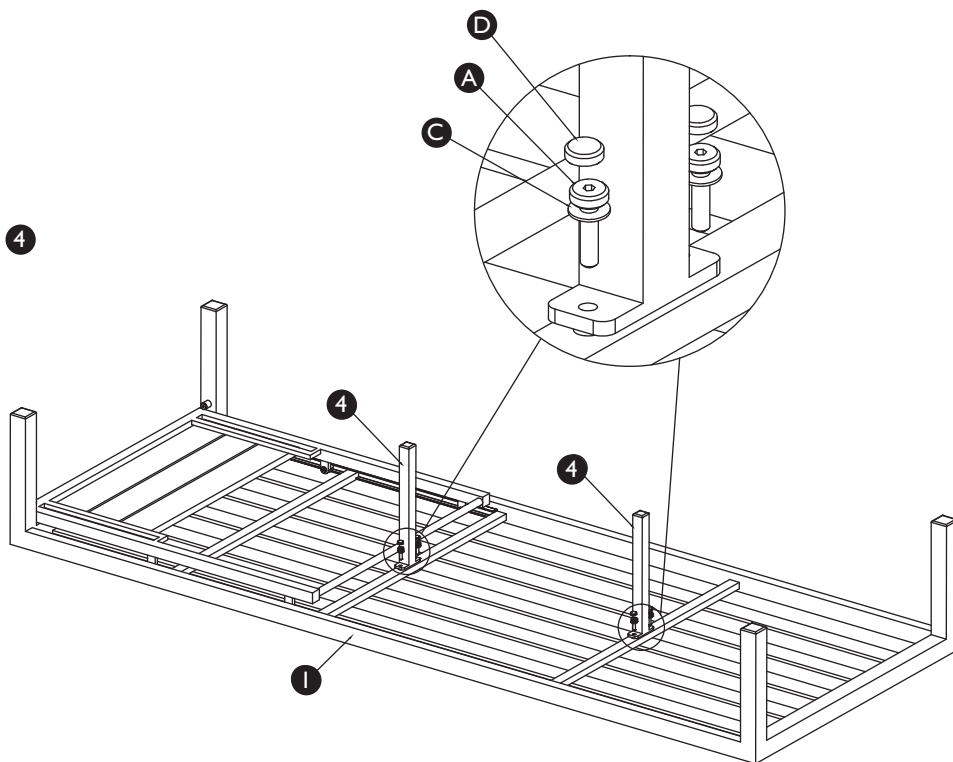
82006915

82006925

Step 1

Parts, fittings and tools

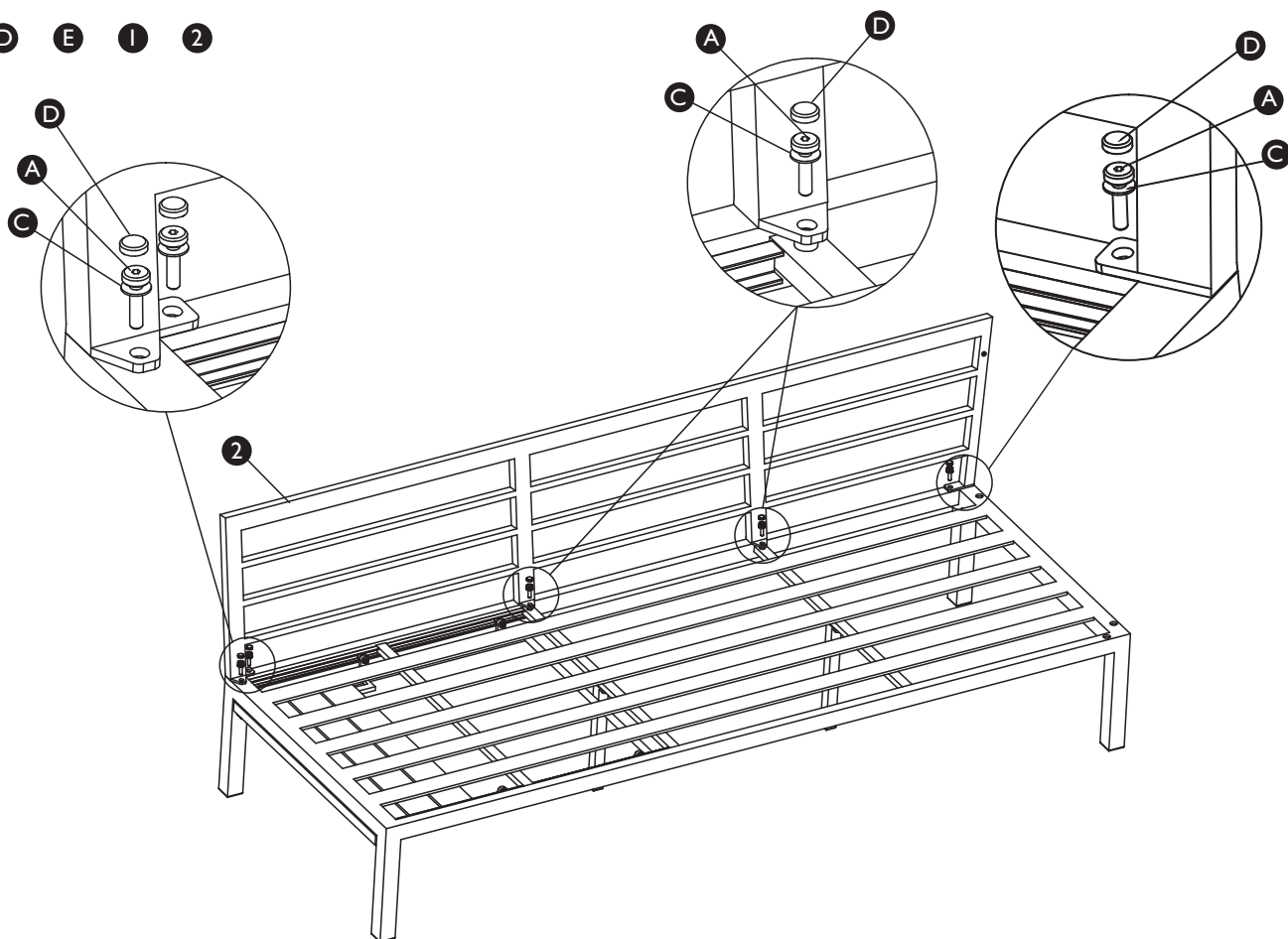
A C D E I 4



Step 2

Parts, fittings and tools

A C D E I 2



Product assembly

Platform dining set-corner sofa

82006902

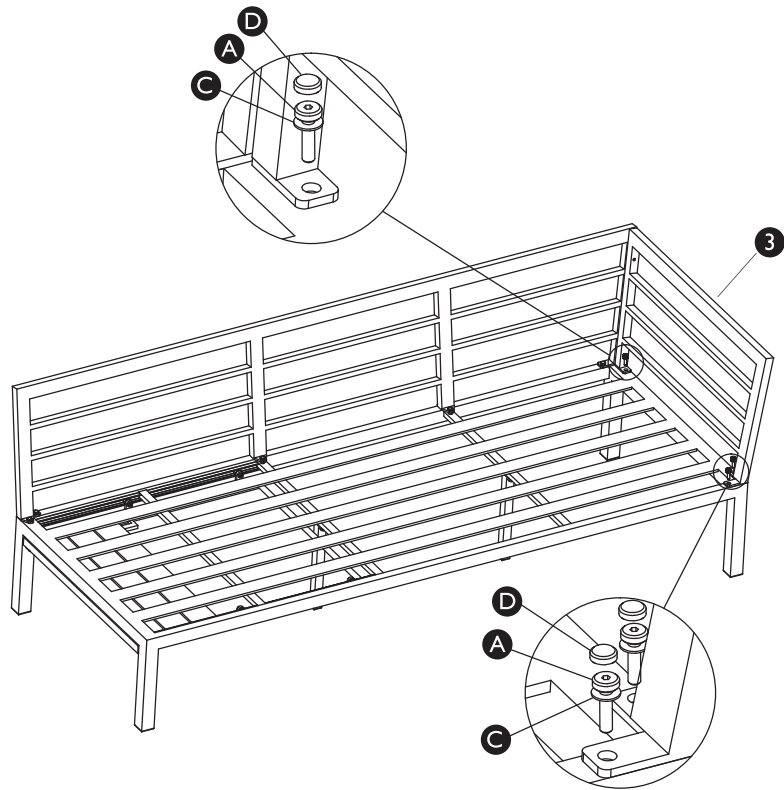
82006915

82006925

Step 3

Parts, fittings and tools

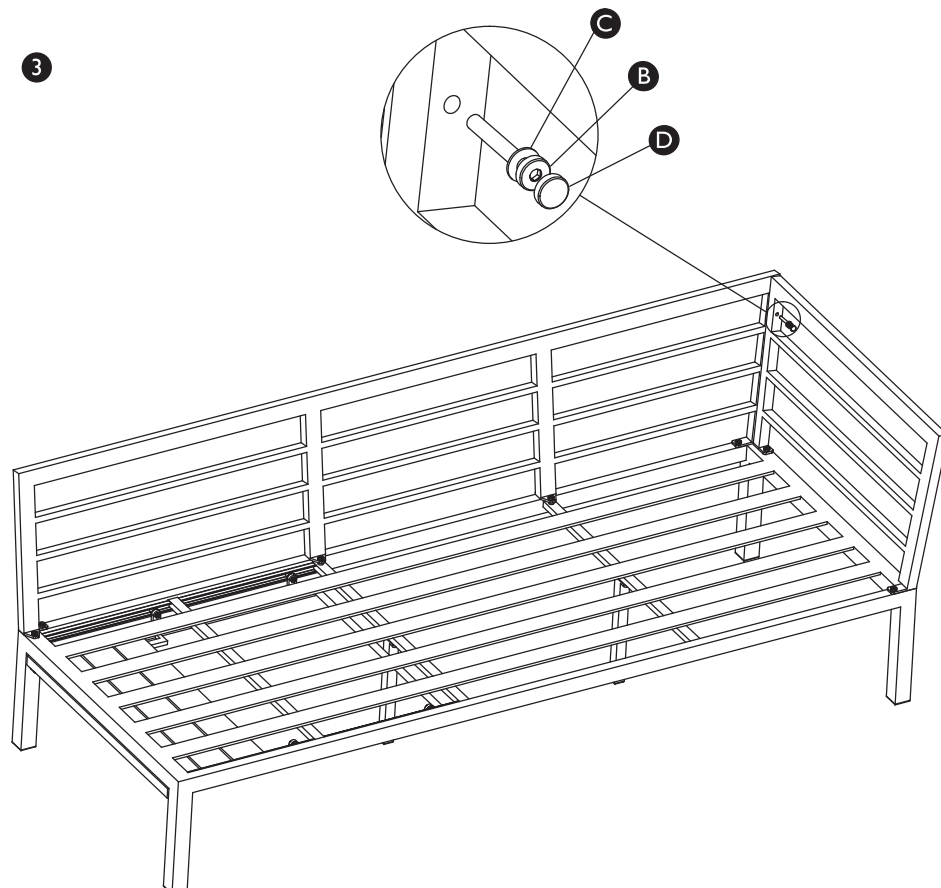
A C D E I 3



Step 4

Parts, fittings and tools

B C D E 2 3



Product assembly

Platform dining set-corner sofa

82006902

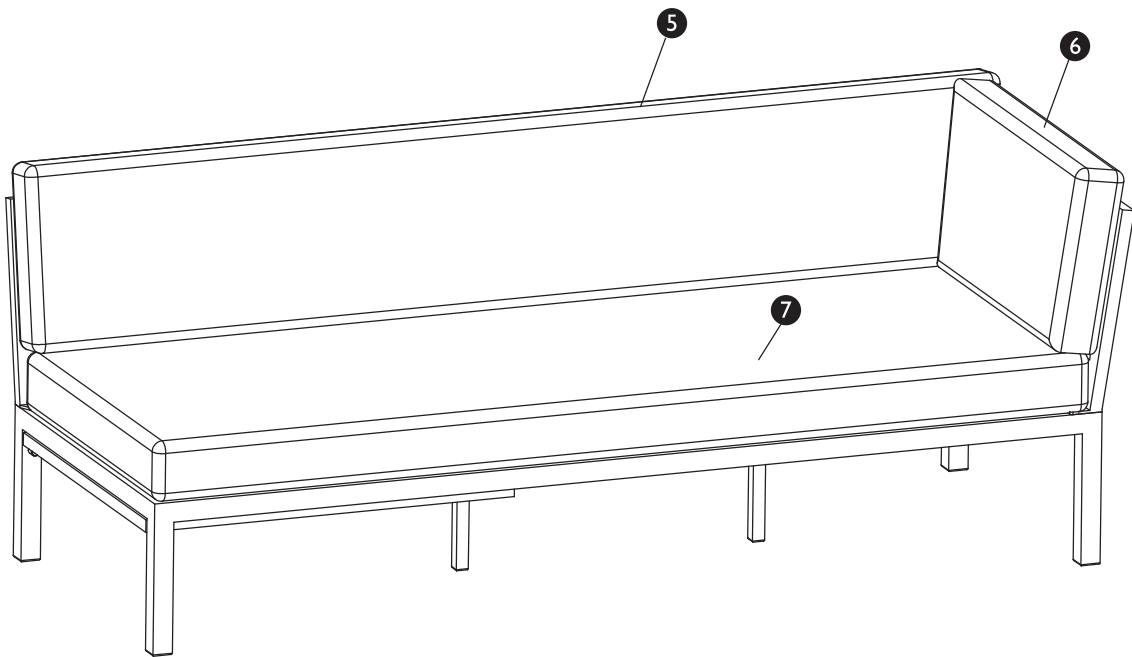
82006915

82006925

Step 5

Parts, fittings and tools

5 6 7



Place the cushions into the frame, the sofa now is ready for use.

User guide

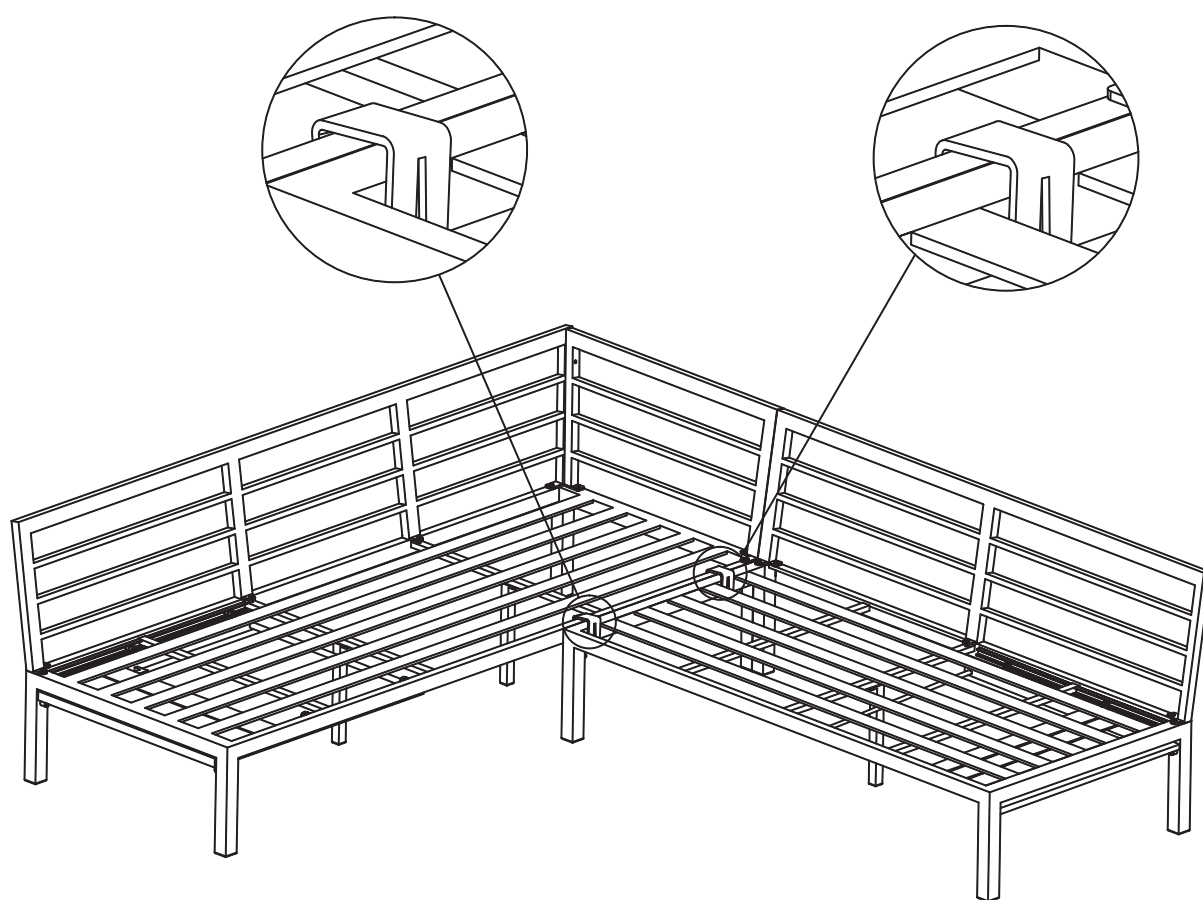
Platform dining set-corner sofa

82006902

82006915

82006925

Plastic clips are provided for connecting sofa frames.



Care and maintenance Caring for metal furniture is generally quite easy, as it's been given a hardwearing finishing coat. Gently wash pieces with a sponge and warm, soapy water – don't scrub with anything abrasive, as this could scratch the finish. Avoid using solvent based or abrasive cleaning products or materials as they may damage the powder coating finish and reduce the lifespan of the furniture.

Do not use a wire brush when removing dirt from this item as it may damage the paint leaving the surface open.

This furniture is made from aluminium, which means it will not rust. Any chipped paint exposing the bare metal underneath is purely cosmetic and will not impact the furniture's performance. To restore the appearance, you can touch up the paintwork using car paint in a matching colour.

To extend the product life and appearance it is advisable to store the furniture in a cool dry place over winter.

Ensure that the furniture is clean and completely dry before putting into storage. Do NOT enclose the product in a plastic or other non-permeable material as this creates moisture.

If your furniture comes with cushions, when not in use it is recommended that they are stored in a clean and dry environment. Wipe up any spills immediately and always refer to the care label which will either be sewn to the back of the cushion or sewn inside if your cushion has a zip closure.

Condition of Use

This garden furniture is designed and intended for domestic use only. It is not suitable for commercial or industrial environments. Using the furniture in non-domestic settings may void the warranty and/or lead to premature wear or damage.

Safety Instructions

This chair has been designed to withstand a maximum weight of 130 kg per seat.

Never drag furniture when moving it, always lift it.

Periodically check all fixings to ensure none have come loose and re-tighten where necessary.

Please take care when handling or moving the furniture as careless handling may cause damage or injury.

Furniture can be dangerous if incorrectly installed. Assembly should be carried out by a competent person.

No liability will be accepted for damage or injury caused by incorrectly installed or assembled furniture.

This furniture has been designed for domestic use only.

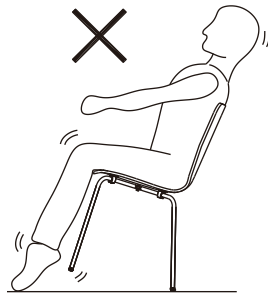
Do NOT use the chair as a ladder.

Do NOT Stand on the seat of the chair.

Never tilt the chair. Ensure the chair is always placed firmly on the ground.

Regularly check leg attachment and retighten screws as necessary.

Do not use chair if legs are unstable. Please check fixings and tighten as required.



Your feedback is very important to us and we would love to hear your comments on your new furniture. Please visit our website to leave a review. Thank you.