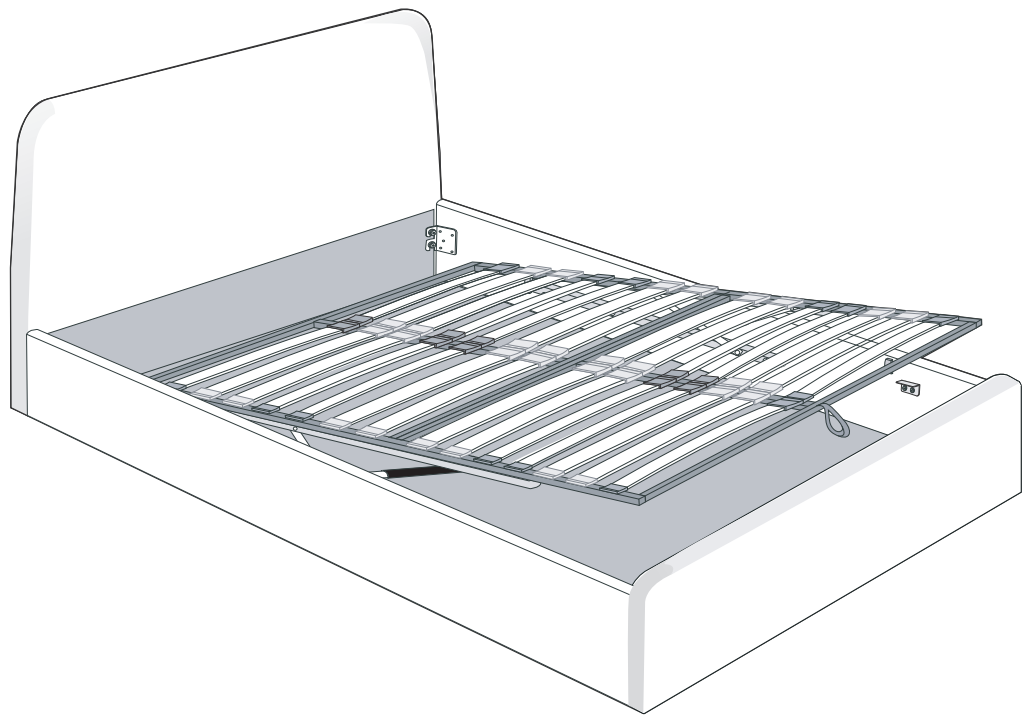


Bonnie Storage Bed

Small Double, Double



Small Double H96 W134 D208cm
Double H96 W150 D208cm

Thank you for purchasing the Bonnie Storage Bed. Please read the instructions and warnings carefully before use, to ensure safe and satisfactory operation of this product.

At John Lewis, we are committed to making great products possible.

From our in house Design Team, to our buyers, we work together to bring great design to life.

Our expert Product Technologists work collaboratively with our buyers and suppliers to assure the legality, safety and quality of the product we sell.

We are all committed to designing and developing products to the highest industry standards.

We hope you are happy with your product and welcome any feedback or comments you may have.

The John Lewis Team

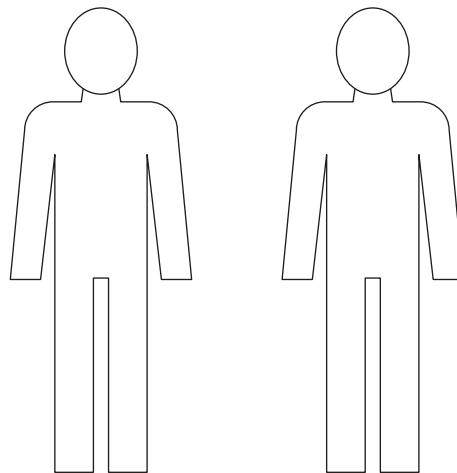
Tools Required

Allen Key Included

Time to assemble

60 Minutes

People to assemble



Important safety information

Warning

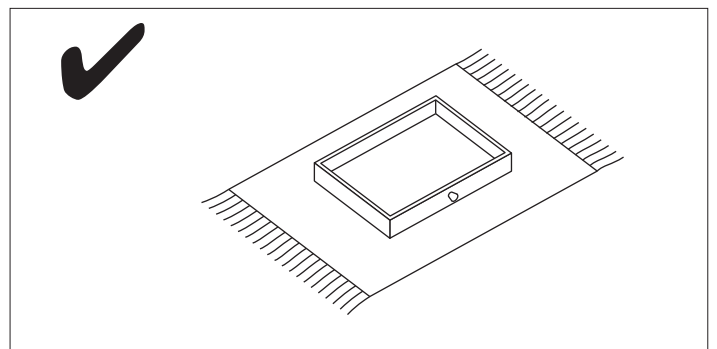
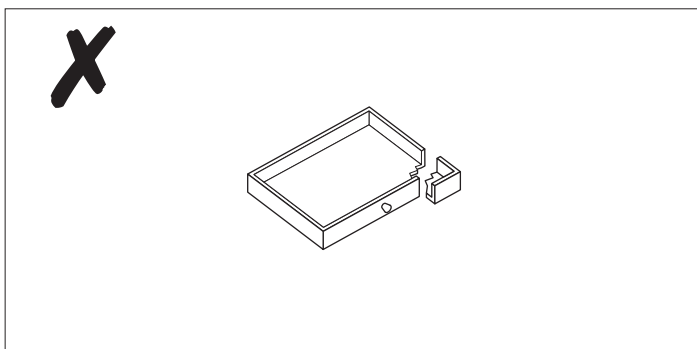
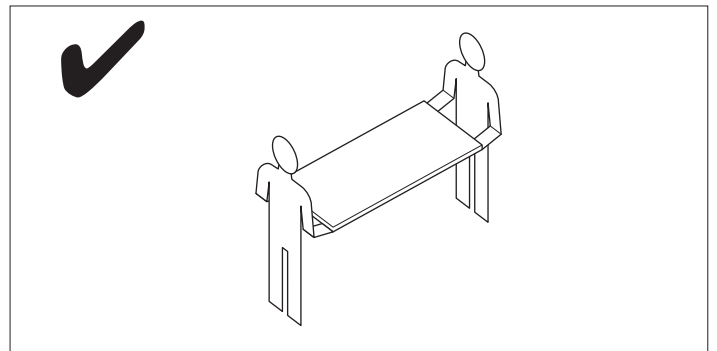
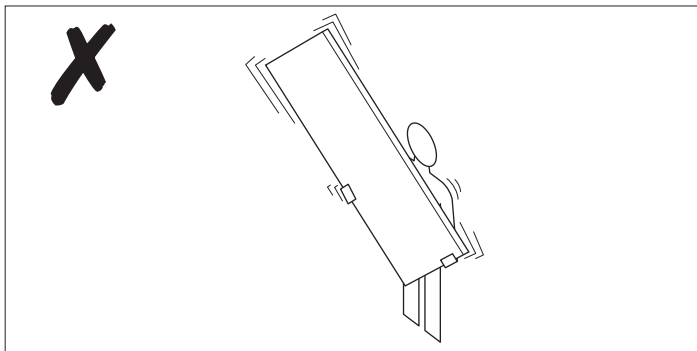
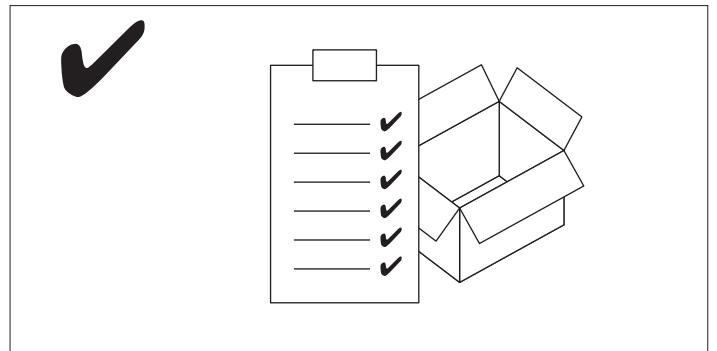
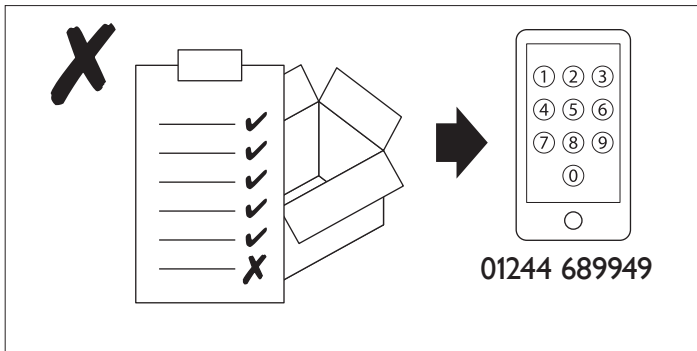
- ⚠ The products should only be used on firm, level ground.
- ⚠ Keeps small parts out of reach of children.
- ⚠ Ensure the product is fully assembled as illustrated before use.

Do's

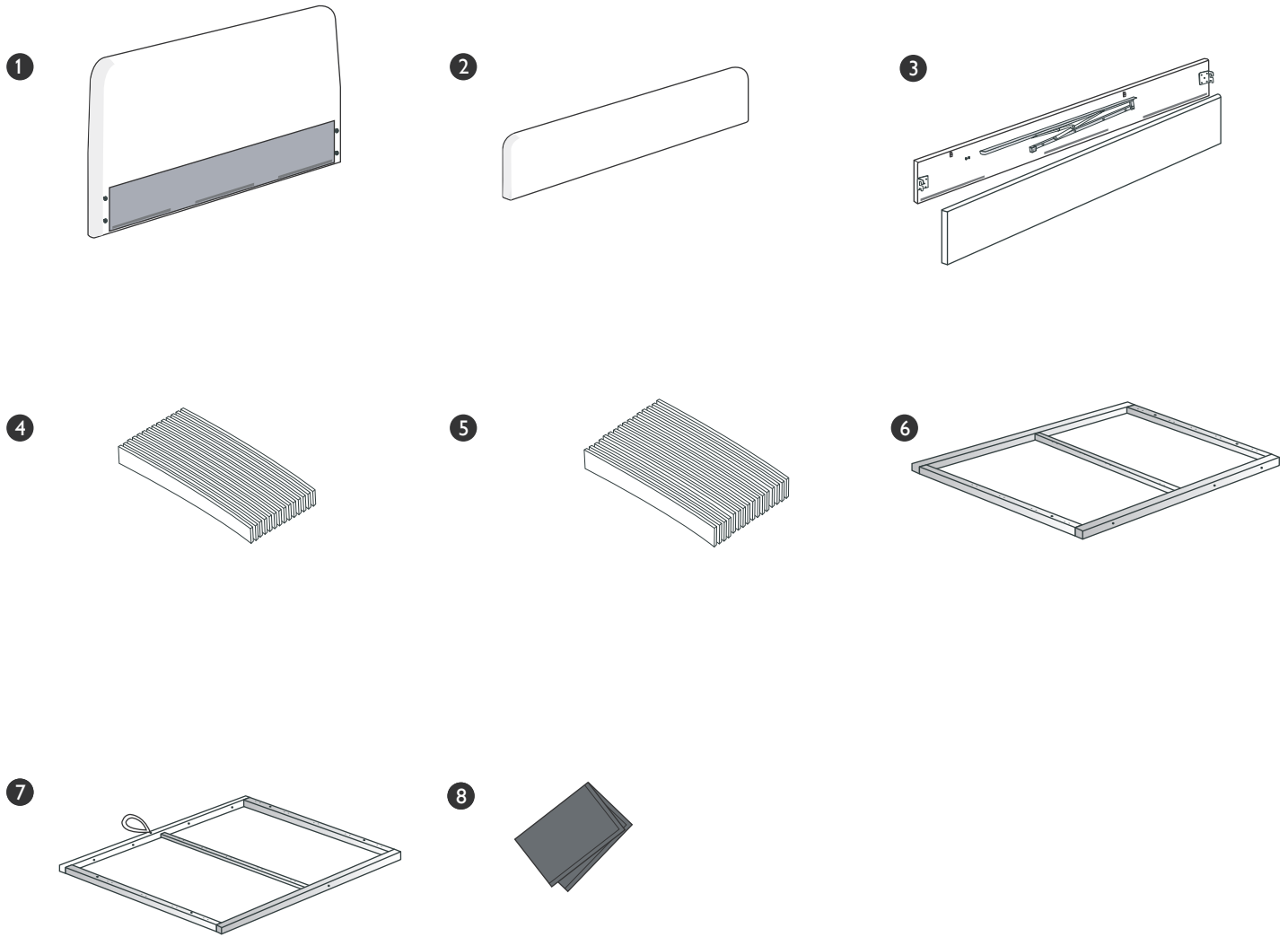
- ✓ Check the pack and make sure you have all the parts listed.
- ✓ **Check all screws and bolts are fully tightened and periodically checked and retightened if required.**
Failure to do this will permanently damage your bed.
- ✓ Make sure the legs remain in contact with the ground at all times.

Don'ts

- ✗ Do not over tighten screws or bolts.
- ✗ Do not stand on the product.
- ✗ Do not use power tools to construct as overtightening and panel failure may occur.
- ✗ Do not use your bed if fittings or legs become loose.

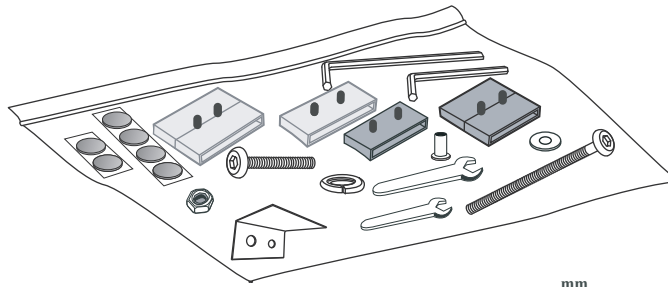


Your bed





Ref	Description	Qty
1	Headboard	1
2	Footboard	1
3	Side rails	2
4	Slats	12
5	Wide Slats	16
6	Metal Bottom	1
7	Metal Front	1
8	Non-woven Fabric	1

Fixtures and fittings



Fixtures and fittings supplied (actual size)

Ref	Description	Dimension	Qty	mm
A	Bolt	M6 x 45mm	4	
B	Bolt	M6 x 70mm	6	

Fixtures and fittings supplied (not actual size)

Ref	Description	Qty	
C	M4 Allen Key	2	
D	M5 Allen Key	1	
E	Centre slat caps	6	
F	Side slat caps	12	
G	Wide centre slat caps	8	
H	Wide side slat caps	16	
I	M6 washer	16	
J	M6 JCN Nut	4	
K	M6 Lock Nut	6	
L	M10 Spanner	1	
M	M13 Spanner	1	
N	M6 Spring Washer	6	
O	Felt Pad	6	
P	L-Bracket	3	

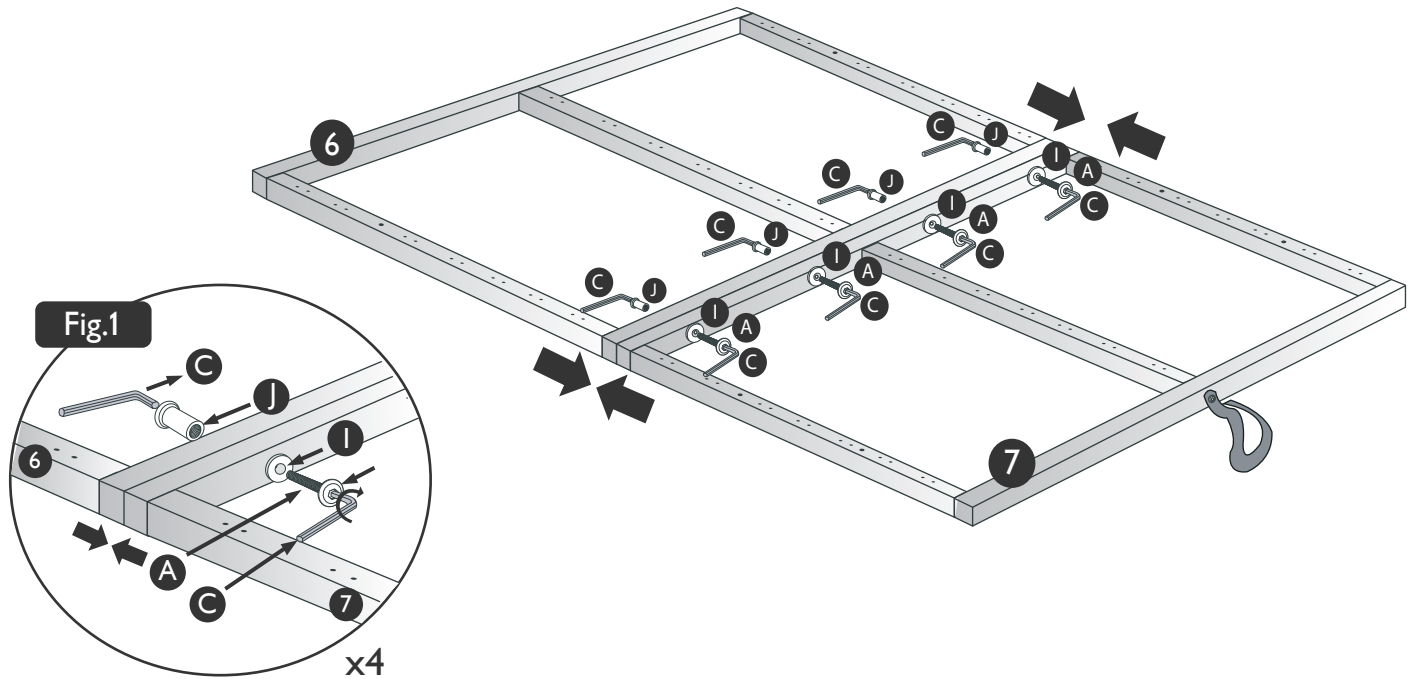
Product assembly

Bonnie Storage Bed

Step 1

Parts, fittings and tools

6 7 A C I J



Step 2

Parts, fittings and tools

1 2 3 D

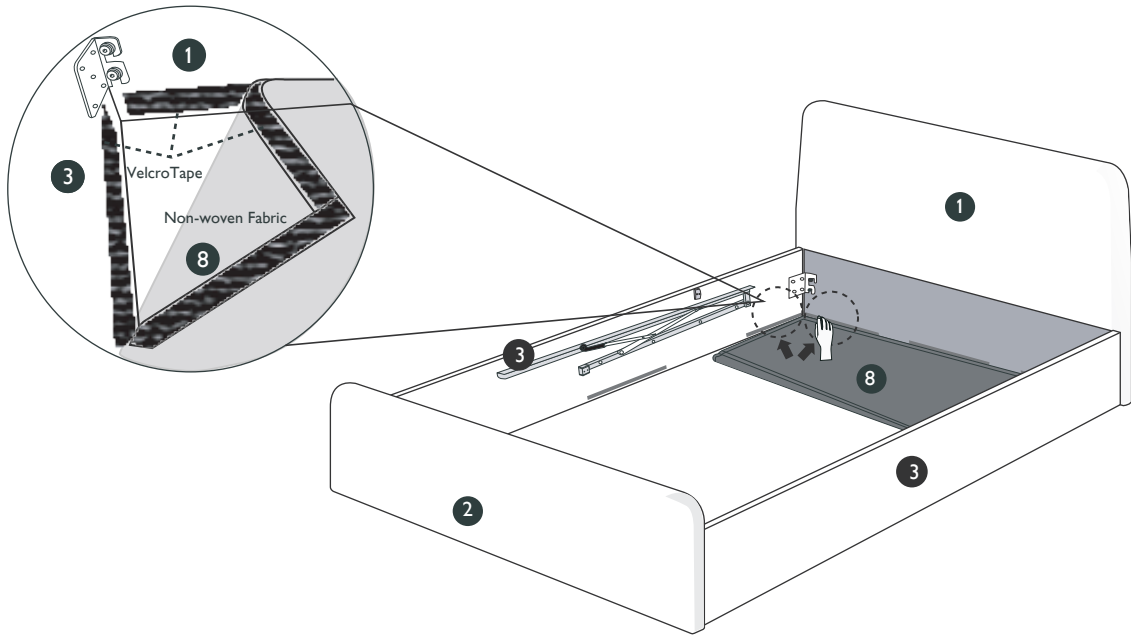


CAUTION: PERIODICALLY CHECK AND RE-TIGHTEN ALL BOLTS AND FIXINGS.

Step 3

Parts, fittings and tools

8



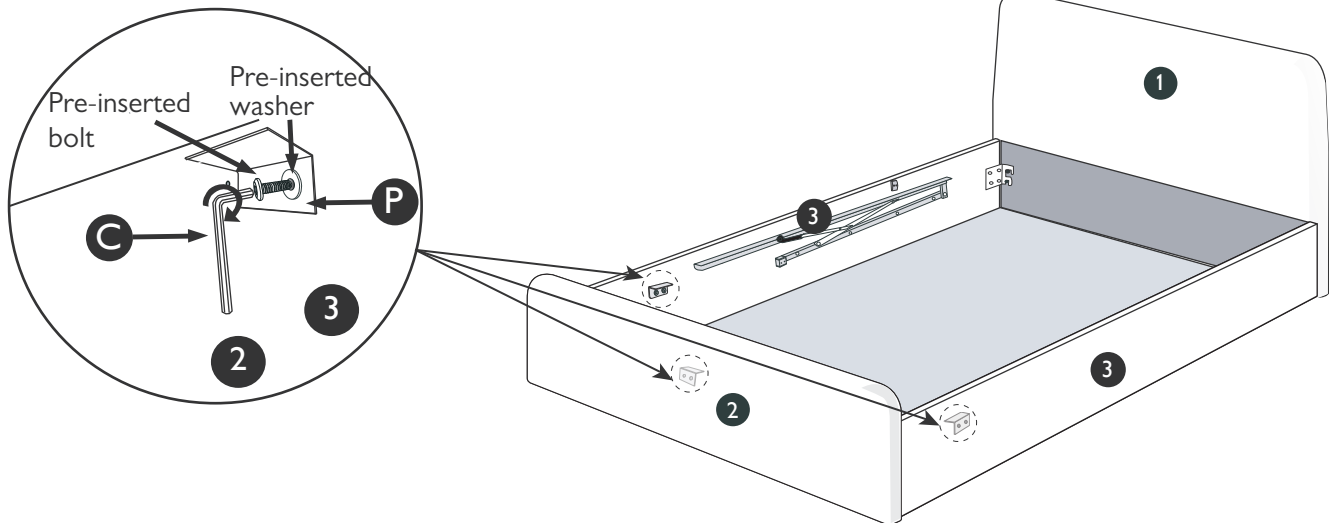
Step 4

Parts, fittings and tools

2 C P



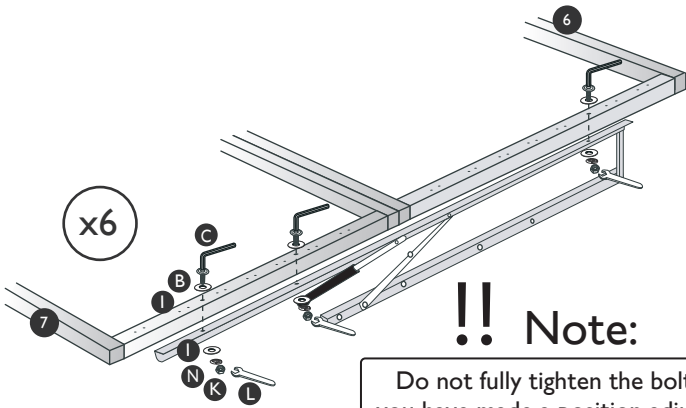
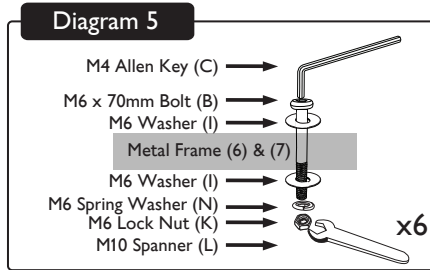
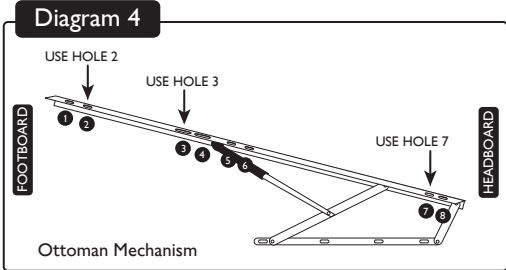
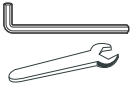
FOOTBOARD
AND SIDERAILS



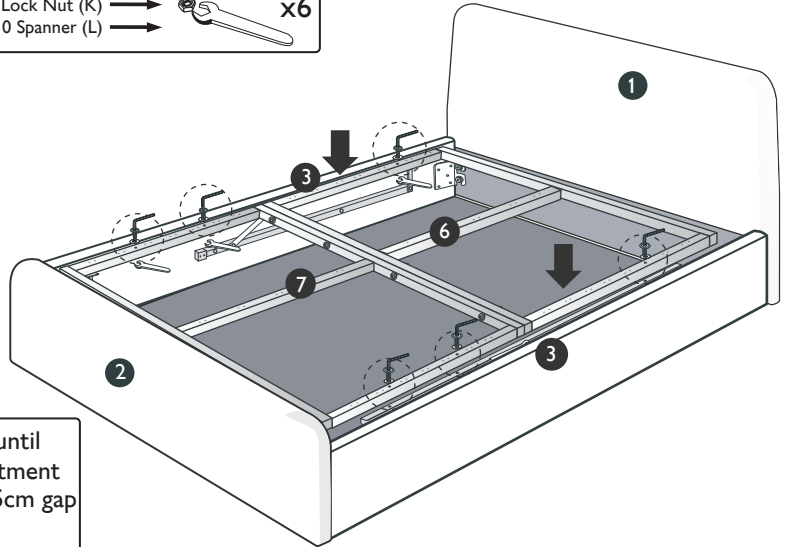
Step 5

Parts, fittings and tools

- B C I K L N 6 7**



!! Note:
Do not fully tighten the bolt until you have made a position adjustment for the metal frames with 3.0-3.5cm gap from Footboard

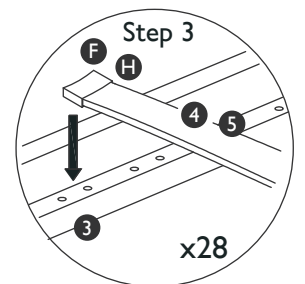
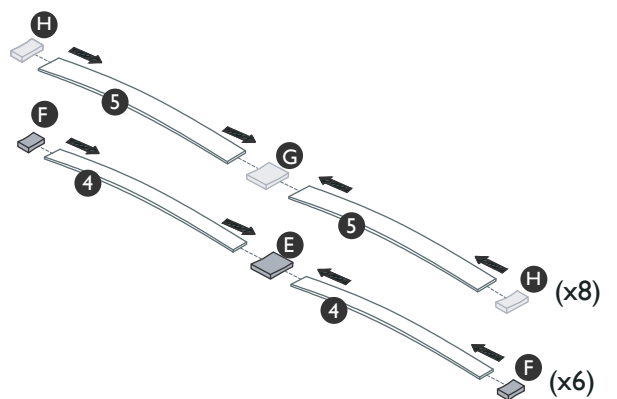
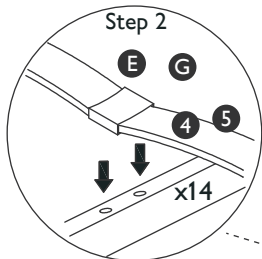
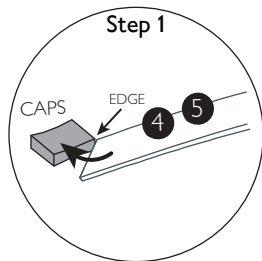
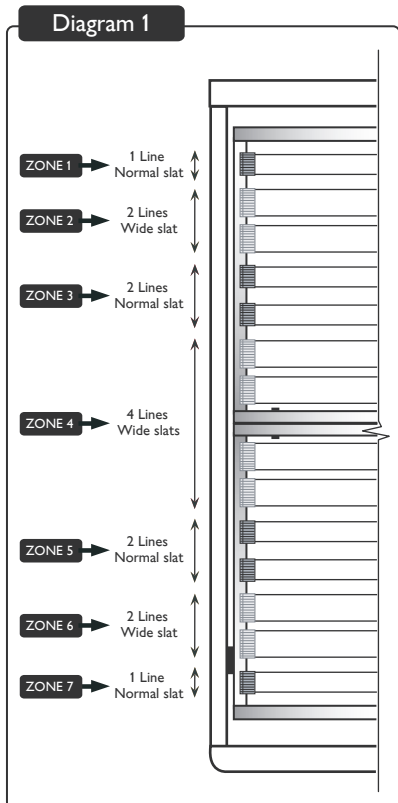


Step 6

Parts, fittings and tools

- 4 5 E F G H**

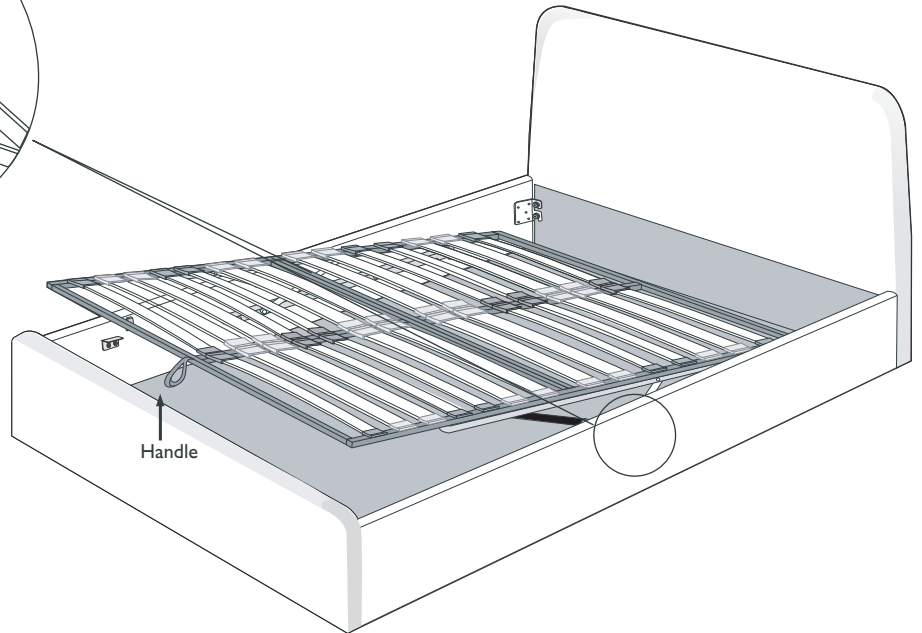
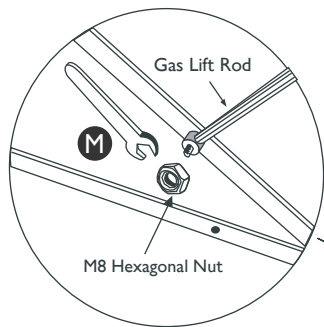
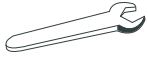
Note: Please see the Diagram 1 below to arrange the slat with the correct system.



Step 7

Parts, fittings and tools

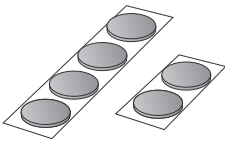
M



Step 8

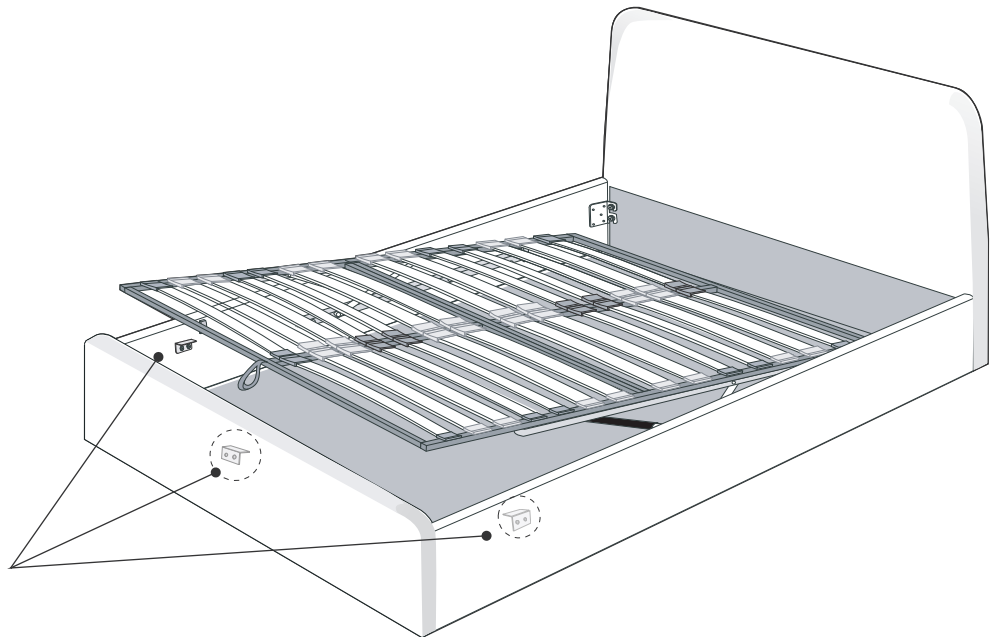
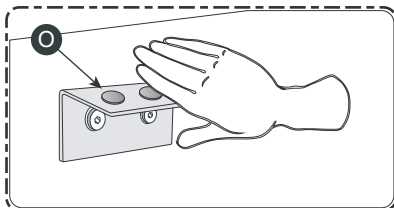
Bed is ready to use.

*Felt pad (O) provided to secure the metal frame from direct contact with the bracket



Step to install Felt pad:

- 1- Clean the surface
- 2- Peel, stick on the surface and press tightly to secure it place



*The maximum mattress weight to be used on this bed is 56kg.

Care guide

Care and maintenance

Fabric bedsteads

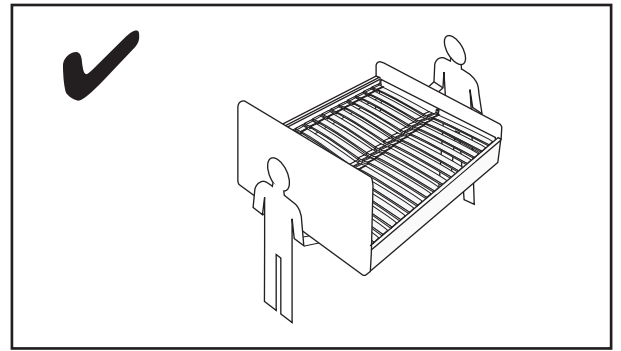
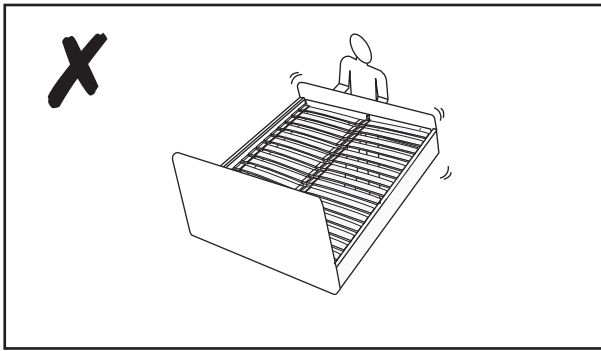
This bedstead should be cleaned using a soft, damp cloth and dried immediately. Do not use a very wet cloth on or allow any liquid contact for long period of time as this can permanently damage the surface.

Do not use detergents and do not rub as this can cause permanent damage.

Always protect your bed from direct sunlight as this may accelerate the natural on-going discolouration process.

The bed fixings including Legs should be tightened regularly.

Safety instructions



 **Never drag, push or pull your furniture as this can cause permanent damage. Always remove the mattress and lift when moving.**

Periodically check all fixings to ensure none have come loose and retighten when necessary.

Please take care when handling or moving the furniture as careless handling may cause damage or injury.

During assembly, children should be kept away from the product due to possible risk of injury.

Do not use this item if any components are missing or damaged.

Furniture can be dangerous if incorrectly installed. Assembly should be carried out by a competent person.

No liability will be accepted for damage or injury caused by incorrectly installed or assembled furniture.

It is recommended that before moving heavy objects to a new location they are completely dis-assembled to avoid personal injury or damage to the furniture. Please be careful to retain all fittings when doing this.

This product complies with BS EN 1725:1998 and BS 8509:2008+A1: 2011 (Clause 11).

When moving the bed, please ensure the mattress is taken off the bed before doing so.

When re-positioning the bed, please ensure the lift-up part of the bed is aligned correctly with the bed base before putting mattress back on.

If require any additional information or have any issues with this product please call the John Lewis Helpline on 03456 002 389.

If require spare parts or further technical assistance please call 01244 689 949 or email mail@fwgroup-uk.com.

Please retain these instructions for future reference.