

Product information

- Indoor use only
- Dimmable - When used with dimmable bulbs
- Replacement bulbs should be the same type and rating, available from John Lewis Partners or other established brands
- Clean the fitting with a soft dry cloth. Do not use abrasive chemical cleaners as this will damage the finish
- Glass parts - Just use a damp cloth. Do not use abrasive materials as these will damage the finish. Take care when handling glass parts to avoid damage or injury

Aftercare and Troubleshooting

You've switched on the light, but it's not working:

1. Check your power supply is switched on
2. Turn off the light and check that the bulb is inserted correctly
3. Check the bulb is still in working order

If there are technical issues with this product that you can't solve, please contact your nearest John Lewis & Partners shop or call Technical Support on 03301 230106.


Specification

Max power: 1 x 10W
Recommended bulb:
10W LED E27 GLS bulb for maximum brightness.
Lower wattages are also suitable.
Rated input: 220 –240V, 50Hz
Bulbs not included
IP rating: 20
Weight: 3.75kg

5-year guarantee

At John Lewis & Partners we test every light to high quality standards. That means we can offer you a 5-year guarantee.

Recycling

This symbol  indicates that this product should not be treated as normal household waste and it should be recycled. John Lewis & Partners do not operate in-store take back, but as members of the Distributor Take Back scheme have funded the development and upgrade of recycling facilities across the UK. Please take it to your nearest collection facility or for further details contact your local council or visit www.recycle-more.co.uk.

John Lewis plc
SW1V 2QQ
johnlewis.com

Made in India

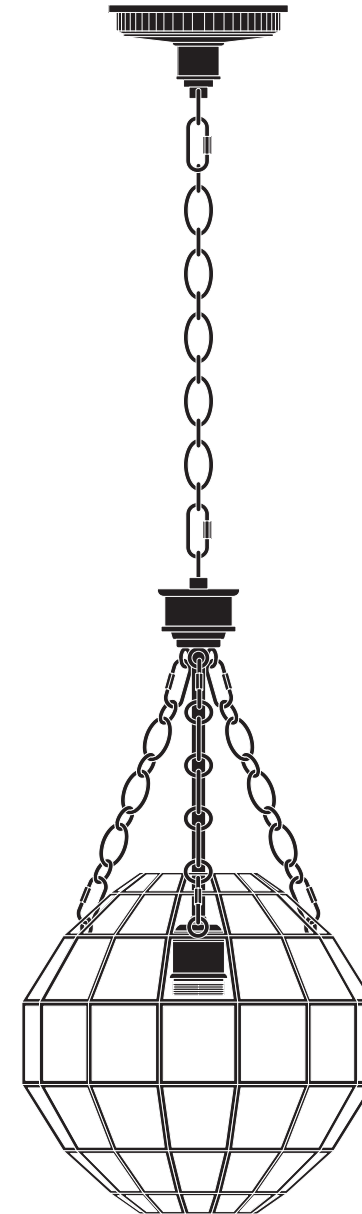


19/02/2024

Please retain these instructions for future reference.

JOHN
LEWIS
& PARTNERS

DIYA CEILING PENDANT USER GUIDE



Product Code:
70144902

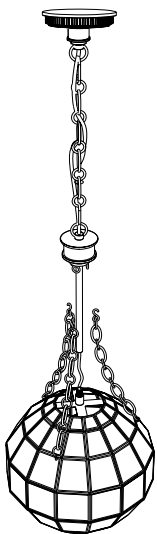
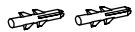

Getting started

Thank you for purchasing this John Lewis & Partners product. For your safety, and to make sure everything is working properly, please read the instructions carefully before use.

Warnings

This is a Class 1 product and must be earthed. It is recommended that this fitting is installed by a qualified electrician. Install in accordance with the IEE Wiring regulations and the Building Regulations. To prevent electrocution switch off at mains supply before installing or maintaining this fitting. Ensure other persons cannot restore the electrical supply without your knowledge. If you are in any doubt, please consult a qualified electrician. This light fitting should be connected to a 5 amp fused circuit. If replacing an existing fitting, make a note of the connections. Always use the correct type and wattage bulb. Never exceed the wattage stated. Dispose of used bulbs carefully. This product is suitable for installation on surfaces with normal flammability e.g. wood, plasterboard, masonry. It is not suitable for use on highly flammable surfaces (e.g. polystyrene, textiles). This product contains delicate parts – be careful during handling and maintenance to avoid breakage. For your safety, always switch off the supply and allow the fitting to cool down before changing lightbulbs, cleaning or adjusting.

Parts list

Description	Image	Quantity
Light fitting		x 1
Wall plugs		x 2
Screws		x 2

Product assembly

Step 1

Carefully unpack the carton, making sure all the parts are present before assembly. Before removing the existing fitting, carefully note the position of each set of wires.

Step 2

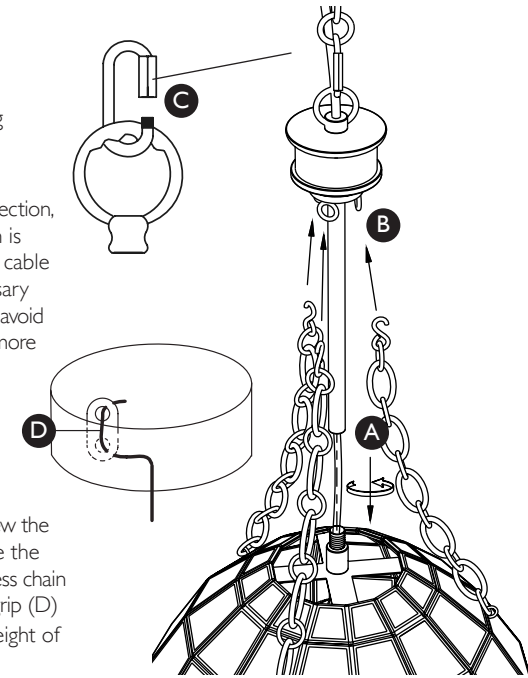
Attach the stem by screwing the stem in a clockwise direction, into the threaded part of the body (A). Ensure the stem is tightened securely. Straighten the chain and pull any excess cable through from the top of the ceiling cup. It may be necessary to turn the stem anticlockwise before fixing into place to avoid twisting the internal cable. Take care not to twist the cable more than 360° when installing and in use.

Step 3

Attach the shade by hooking the three chains onto the loops at the top of the stem (B).

Step 4

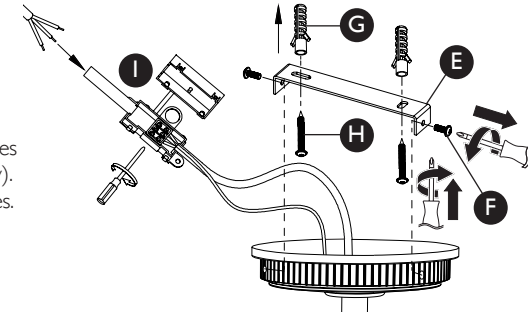
The hanging height of this product can be adjusted. Unscrew the carabiner (C) on the bottom chain link and refit to achieve the desired drop. Re-tighten to secure and then remove excess chain links with 2 pairs of pliers. Pull the cable through the cord grip (D) until the desired height is achieved. Always ensure the weight of the product is supported by the chain and not the cable.



Step 5

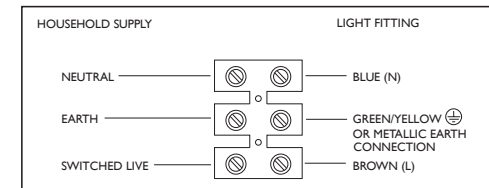
Remove the fixing bracket (E) from the product by unscrewing the two side screws (F) and retain for reuse. Ensure there is a solid mounting surface to support the weight of the light fitting. Using the fixing bracket as a template, mark the position of the mounting holes. Drill holes and fit supplied wall plugs (G) (suitable for masonry only). Take care to avoid damaging any concealed wiring and pipes. Fix the bracket to the ceiling using supplied screws (H).

Please note: This is a heavy product and appropriate ceiling fittings MUST be used to support the weight.



Step 6

Having identified the household wiring from your existing light fitting, connect to the connection block (I) inside the product in the following way. Check that: You have correctly identified the house wires. The connections are tight. No loose strands have been left out of the connection block.



Step 7

Re attach the product to the fixing bracket using the two screws removed in step 5 and tighten to secure. Take care not to trap any wiring.

Step 8

Fit the recommended bulb (J). Your light is now ready for use.

