

# CONGRATULATIONS ON YOUR NEW ELECTRIC PIZZA OVEN



COZZE  
BY COZZE



## USER MANUAL



# cozze®



# Electric pizza oven

## UK - User manual

Read and follow these statements to help ensure safety and prevent property damage.

**CAUTION:** Indicates a hazardous situation which, if not avoided, could result in a minor or moderate injury.

**WARNING:** Indicates a hazardous situation which, if not avoided, could result in death or serious injury.

**DANGER:** Indicates a hazardous situation which, if not avoided, will result in death or serious injury.

### **WARNING! FOR YOUR SAFETY USE OUTDOORS ONLY.**

Read this instruction carefully and ensure that your pizza oven is properly installed, assembled, maintained and serviced in accordance to these instructions. Failure to follow these instructions may result in serious bodily injury and/or property damage.

If you have any questions concerning the assembly or operation of this pizza oven, please consult your dealer.

Notes to the user:

**USE OUTDOORS ONLY. READ THE INSTRUCTIONS BEFORE USING THE APPLIANCE.**

**WARNING: ACCESSIBLE PARTS MAY BE VERY HOT, KEEP YOUNG CHILDREN AWAY.**

**DO NOT MOVE THE APPLIANCE DURING COOKING. RETAIN MANUAL FOR FUTURE REFERENCE. DRAWINGS ARE FOR REFERENCE ONLY.**



ELECTRIC PIZZA OVEN			
90564 (13 INCH)		90565 (17 INCH)	
220-240 V~ 50-60 Hz	2200 W	220-240 V~ 50-60 Hz	2200 W
IPX4	Net weight: 15.3 kg	IPX4	Net weight: 21.2 kg
Millarco International A/S Rokhøj 26, 8520 Lystrup, Denmark <a href="http://www.millarco.com">www.millarco.com</a> <a href="http://www.cozze-pizza.com">www.cozze-pizza.com</a>			

Do not dispose of electrical appliance as unsorted municipal waste, use separate collection facilities. Contact your local government for information regarding the collection systems available. If electrical appliances are disposed of in landfills or dumps, hazardous substances can leak into the groundwater and get into the food chain, damaging your health and well-being.

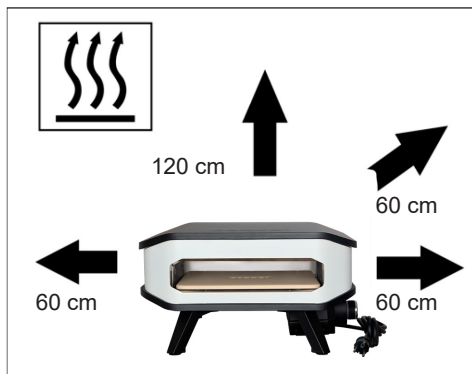
## 1.1 Installation and Assembly

### WARNING

- This model of pizza oven is only intended for freestanding use on a level surface.
- Read the following instruction carefully and be sure your pizza oven is properly installed, assembled and cared for. Failure to follow these instructions may result in serious bodily injury and/or property damage.

### CAUTION

- To minimise the risk of property damage and/or personal injury, do not use an extension power supply cable unless it conforms to the specifications listed in this user manual.
- If it is necessary to use an extension lead it must be connected to an earthed socket. Use only a 14-gauge cable with an earthed plug, suitable for use with outdoor pizza oven. The maximum length for the extension lead is 4 meters. Keep the extension lead as short as possible. Examine the extension lead before use and replace if damaged.
- Make sure that the lead does not represent a trip hazard.
- Keep the connections dry.
- The pizza oven door must be kept away from flammable materials during use.
- The pizza oven door must not be put on any flammable surface until it is cold.
- Do not place the pizza oven door on the top of the pizza oven during cooking.
- DO NOT leave any hazardous objects such as a lighter or lighting fluid next to your pizza oven door. Indeed, the pizza oven door after use radiates heat in all directions.
- Observe all local laws and regulations when using this pizza oven.
- If you have any questions concerning assembly or operation, consult your dealer.
- Recommend to use protective gloves when handling particularly hot components.
- The parts sealed by the manufacturer or his agent shall not be manipulated by the user.
- NOTE FOR CONSUMER: Keep this manual for future reference.



## 1.2 Operation

### DANGER

- Use the pizza oven outdoors in a well ventilated area. Do not use in a garage, building, covered walkway, tent or any other enclosed area or beneath overhead combustible construction.
- Do not use charcoal, briquettes, liquid fuel or lava rock in the pizza oven.

### WARNING

- Only use as described in this user manual. Misuse may cause fire, electric shock or injury.
- This pizza oven should only be connected to an earthed socket.
- This pizza oven should be supplied through a residual current device (RCD) having a rated residual operating current not exceeding 30 mA.
- Do not operate the pizza oven if the electrical socket is damaged.
- If the supply cord is damaged, it must be replaced by the manufacturer, its service agent or similarly qualified persons in order to avoid a hazard.
- Always unplug by pulling the plug. Do not pull on the cable.
- Do not use the pizza oven within 3 m of any kind of water, such as a pool or pond.
- Do not use the pizza oven within 60 cm of combustible materials. Minimum safe distances are: Above the pizza oven 1.2 m. At the rear and sides 60 cm (See illustration).
- Keep the cooking area clear of flammable vapours and liquids, such as petrol, alcohol, etc., and flammable/combustible materials.
- Should a grease fire occur, close the lid, turn the power button off, unplug the pizza oven from the socket and leave the lid closed until the fire is extinguished. Do not use liquid to extinguish flames.
- Accessible parts may be very hot. Keep young children and pets away.
- Children being supervised not to play with the appliance.
- The use of alcohol, prescription drugs, non-prescription drugs or illegal drugs may impair the consumer's ability to properly and safely assemble, move, store or operate the pizza oven.
- The instruction concerning persons (including children) with reduced physical, sensory or mental capabilities, or lack of experience and knowledge is not applicable
- Do not leave the pizza oven unattended during preheating or use. Exercise caution when using this pizza oven.
- Do not move the pizza oven during use.

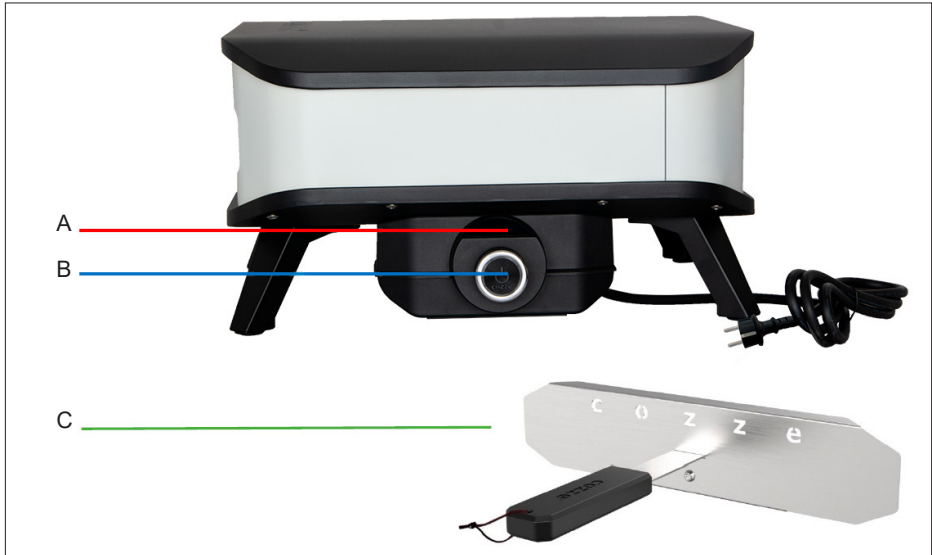
- Keep any electrical supply cable away from any heated surfaces. Follow cable management instructions.
- Locate power cable away from traffic areas. Arrange the cable so that it will not be pulled or tripped over.
- Do not use the pizza oven if it is dropped or malfunctions in any manner.
- Charcoal or similar combustible fuels must not be used with this pizza oven.
- The pizza oven is to be connected to a socket-outlet having an earthing contact.
- The supply cord should be regularly examined for signs of damage and the pizza oven is not to be used if the cord is damaged.
- To protect against electric shock, do not immerse the cable, plugs, probes or pizza oven in water or other liquids.
- To prevent electric shock, do not spray liquid inside the pizza oven.
- Operate the pizza oven only on a level, heat-resistant surface.
- Use heat-resistant gloves when operating the pizza oven.

## **CAUTION**

- When connecting this pizza oven to a power supply, ensure that the supply voltage corresponds with the voltage rating marked on the appliance label.
- Do not exceed the wattage of the electrical socket.
- Do not use the pizza oven in any vehicle or in any storage or cargo area of any vehicle. This includes, but is not limited to, cars, lorries, estate cars, mini-vans, sports utility vehicles, mobile homes, caravans and boats.
- During installation: do not place on surfaces or near walls, partitions or kitchen furniture and the like – unless they are made of non-combustible material or clad with non-combustible heat-insulating material, and pay attention to fire prevention regulations.
- Do not use the pizza oven with the door for more than a period of 2 hour to prevent overheat of the oven
- DO NOT use the stone over an open flame
- Avoid extreme temperature change to the stone. DO NOT place frozen foods on a hot stone.
- The stone is fragile and can break if bumped or dropped.
- The stone is very hot during use and stays hot for a long time after use.
- DO NOT cool the stone with water when the stone is hot.
- After cleaning the stone with water, please dry the stone before use. This can be done in a conventional oven at 60 °C (140°F) for 2 hours.
- Store the pizza stone in a dry and warm place
- The pizza stone is considered a wearing part and is not covered by the guarantee
- Allow the pizza oven to cool before moving, cleaning or storing it.

- The pizza oven door must not be used near flammable materials during cooking. (Petroleum based products, thinners or any other solid object that carries a flammable warning label.)
- Cover the pizza oven only when it is cool.

## 2. Product Features



- A: A LED screen serves as a digital thermometer displaying the cooking surface temperature until the set temperature is reached. This ensures a precise and accurate temperature reading of your pizza oven.
- B: The control knob is easy to use. Push to turn the unit on or off. Turn clockwise to increase the desired temperature or turn anti-clockwise to reduce the desired temperature. Press the knob for three seconds to switch between °F or °C.
- C: Pizza oven door used both when preheating the oven and during baking the pizza.



**CAUTION!**  
DO NOT TOUCH THE BODY, TOP PANEL OR  
HEAT COIL WHILE IN USE.  
ACCESSIBLE PARTS MAY BE VERY HOT.

## **GETTING READY FOR USE**

Follow these instructions carefully to avoid seriously damaging your pizza oven and causing injury to yourself and to property.

1. Assemble the pizza oven and door by following the assembly instructions carefully.
2. Connect the pizza oven to a power outlet which is turned off.
3. Remember to pull out the power plug after use.

## **CONTROL BUTTON FUNCTIONS**

- Press the knob to enter the power-on state and display the temperature
- Turn clockwise to increase the desired temperature or turn anti-clockwise to reduce the desired temperature.
- Press the knob for three seconds switches between °F or °C.
- Temperature Setting: Once you have turned the control knob to set the desired temperature, release the control knob and the display will flash 3 times to confirm the set temperature. The pizza oven will now begin heating until it reaches the set temperature. The display will show the progress from current temperature until it reaches the set temperature. Note that the temperature shown on the display is the set temperature selected, once food is placed on the cooking surface, the cooking temperature of your cooking surface will drop due to the food being cold. The display will still show the set temperature you set it to and will heat up until it reaches the set temperature.
- Press the knob to power off.
- Pull out power plug from power outlet when not using the oven.

## **PREHEAT THE PIZZA OVEN**

- Place the door in the oven opening. Push the control button (B) to turn the pizza oven on, turn the control button clockwise to increase the temperature between 350 and 400 C. After approximately 3-5 minutes the desired temperature is achieved in the oven, but the stone will always take longer time to heat up. After approximately 20 minutes the stone will be ready for pizza.

## **AMBIENT CONDITIONS**

- Using oven in a colder climate or at a higher altitude will extend your cooking time.
- Sustained wind will lower the pizza oven's internal temperature.
- Cooking surfaces are easily interchangeable.



### 3. Storage

- Always allow the pizza oven to cool down before storing.
- Always unplug by pulling the plug. Do not pull on the cable.
- Cover the pizza oven only when it has cooled down.
- Always store the covered pizza oven in a warm and dry place.

### 4. Cleaning and Care

CAUTION: All cleaning and maintenance should be carried out when the pizza oven is cool and with the power plug disconnected from power outlet.

"Burning off" the pizza oven after every use (for approx. 15 minutes) will keep excessive food residue to a minimum it is recommended to clean and maintenance the appliance at least once a month to extend the life of your pizza oven and decrease the possibility of problems.

### 5. Cleaning

- Allow the pizza oven to cool down before you clean it.
- Do not use any high-pressure steam equipment or a water jet to clean the pizza oven.

#### **OUTSIDE SURFACE**

- Use mild detergent or baking soda and hot water solution. Non-abrasive scouring powder can be used on stubborn stains, then rinse with water.

#### **PLASTIC SURFACES**

- Wash with a soft cloth and hot soapy water solution. Rinse with water. Do not use abrasive cleaners, degreasers or a concentrated barbecue cleaner on plastic parts.

#### **PIZZA STONE**

- Use the COZZE wire brush to brush of remaining after "burning off". If necessary, the cold stone can be rinsed with water. Make sure that the stone is absolutely dry again before next usage.

## 6. Returning the appliance for Repair, Service & Warranty

- Do not modify the pizza oven. This may cause the pizza oven to become unsafe. Any modifications will render the warranty null and void.
- If you cannot rectify any fault by following these instructions, contact your local distributor for advice, inspection or repair instructions.
- Please keep all proof of payments and the installation certificate for warranty purposes, if these cannot be supplied then all warranties will be considered void.

## 7. THE BEST PIZZAS ARE BAKED IN A COZZE PIZZA OVEN

For best results, you need a good dough and a very hot pizza oven, preferably about 400 °C. In short, the pizza oven must be VERY hot, because it is the high temperature that makes the pizza crisp and airy.

Turn on the pizza oven in plenty of time before baking your pizza.

### **What to do:**

Make sure that the pizza oven and the pizza stone are correctly positioned. Connect the pizza oven to power socket and preheat the oven as described in this manual.

The stone will always take longer to heat up than the oven itself and will only be hot enough after a minimum of 20 minutes of heating.

A Cozze infrared thermometer can be used to determine the exact temperature of the stone.

Be aware that heating time can be affected by the wind and temperature outside.

Allow the pizza oven to heat up for about 20 minutes. It will then be ready to bake the most delicious pizzas.

When your pizza is ready to be baked, gently push it into the oven on the pizza stone using a pizza paddle. Do not adjust the temperature, but keep the temperature setting the same and keep the door in the oven at all time.

After about 40 seconds, take the pizza out, rotate it a quarter and gently push it back in again.

Repeat until your pizza is crisp and the cheese has melted.

Gently remove the pizza from the oven and place it on a cutting board.

Leave your steaming hot pizza to cool slightly before cutting it and sharing it with your loved ones.

Enjoy your pizza oven and bon appétit!

## 8. General cozze warranty

cozze provides a 2-year warranty on all products

The above warranty is subject to the following:

- The cozze product is used according to the instructions in the user manual.
- The cozze product is not modified.
- The cozze product is correctly assembled according to regulations.
- The cozze product is maintained and frequently cleaned according to the user manual.
- Store the cozze product covered with a cover when not in use.
- cozze winter storage: All wooden parts, pizza stones and accessories for cozze must be stored indoors during the winter.
- The cozze product is, where applicable, connected to the correct type of gas or electricity.
- The cozze product is placed on a flat and safe surface.
- The cozze product is not fitted with non-original cozze parts.
- The cozze product should not be stored as a solid component close to the sea, chlorinated swimming pools or hot tubs.
- The cozze product is only used for private use.

The warranty does not cover.

cozze products that are defective, damaged or otherwise degraded as a result of:

- Expected wear and tear with normal use
- Vandalism
- Unusual weather such as hail, stormy weather, tornadoes, tsunamis, earthquakes or heavy storms.
- Other surroundings such as acid rain, chlorine/salt in the air and other environmental conditions.

## 9. EC Declaration of Conformity

Brand Name: Cozze  
Model Name: EI-oven 13", EI-oven 17"  
Model Number: 90564, 90565  
Product Description: Outdoor Electric Pizza Oven

We, company Millarco International A/S, located at Rokhøj 26, 8520 Lystrup, Denmark, issue this declaration of conformity under our sole responsibility.

Object of the Declaration: EI-oven 13", EI-oven 17"

The object of the declaration described above is in conformity with the relevant Union harmonization legislation:

EI-oven 13", EI-oven 17" are manufactured in compliance with the:

LVD Directive:2014/35/EU

EMC Directive:2014/30/EU

Food Contact Directive:1935/2004/EC

Directive 2012/19/EU Waste Electrical and Electronic Equipment (WEEE)

Salt spray test IEC60068-2-52

IPX4

and the following:

Safety/Health:

EN 60335-2-78:2003 + A1:2008 + A11:2 020

EN 60335-2-36:2002 + A1:2004+ A2: 2008+ A11:2012

EN 60335-1:2012+A11:2014+A13:2017+A1:2019+A2:2019+A14:2019+A15:2021

EN 62233: 2008

EMC:

EN IEC 55014-1:2021

EN IEC 55014-2:2021

EN IEC 61000-3-2: 2019 + A1:2021

EN 61000-3-3: 2013 + A1:2019 + A2:2021

The product carries the CE mark which was first affixed in 2022 and is EC type examination certified by: TÜV Rheinland LGA Products GmbH, Tillystraße 2, 90431 Nürnberg, Germany

Manufacturer's address:

Millarco International A/S, Rokhøj 26, 8520 Lystrup, Denmark

Signed for and on behalf of Millarco International A/S, Lystrup, Denmark on 30 Oct 2022



CEO, Lars Bærentsen

# Millarco International A/S - Rokhøj 26, DK-8520 Lystrup

**DK : CE – Overensstemmelseserklæring.** Erklærer følgende overensstemmelse i medfør af EU-direktiv samt standarder for artikel: **SE: CE-intyg om overensstemmelse.** Deklarerer følgende overensstemmelse i enlighet med EU-direktiv og standarder for artikel: **NO: CE-samsvarserklæring.** Erklærer følgende samsvar i henhold til EU-direktiver og standarder for artikel: **FI: CE-vaatimustenmukaisuusvakuutus.** Vakuuttaa seuraavan tuotteen EU-direktiivin ja -standardien mukaisuuden: **EN: CE Declaration of Conformity.** Declares the following conformity pursuant to EU directives and standards for article: **DE: CE-Konformitätserklärung.** Erklärt die folgende Konformität gemäß EU-Richtlinien und Normen für den Artikel: **ES: Declaración de conformidad CE.** Declara la siguiente conformidad según las directivas y normas de la UE para el artículo: **FR: Déclaration de conformité CE.** Déclare la conformité suivante conformément aux directives et normes de l'UE pour l'article: **NL: CE-conformiteitsverklaring.** Verklaart de volgende conformiteit volgens EU-richtlijnen en -normen voor artikel: **PL: Deklaracja zgodności WE.** Deklaruje następującą zgodność artykułu z dyrektywami i normami UE: **CZ : CE – Prohlášení o shodě:** Prohlašujeme, že toto prohlášení o shodě je vydáno na naši výhradní odpovědnost a že následující produkty splňují směrnice EU i normy. **SLO : CE – Izjava o skladnosti:** Izjavlja naslednjo skladnost v skladu s direktivami in standardi EU za izdelek: **HR : CE – Izjava o skladnosti:** Izjavljuje sljedeću uskladenost u skladu sa direktivama i standardima EU za artikl: **IT : CE – Dichiarazione di conformità.** Dichiaro la seguente conformità ai sensi delle direttive e norme comunitarie per l'articolo: **IS CE – Samræmisýfirlýsing.** Lýsir yfir eftirfarandi samræmi í samræmi við ESB tilskipanir og staðla fyrir hluti: **P CE – Declaração de Conformidade.** Declara a seguinte conformidade de acordo com as diretivas e padrões da UE para o artigo: **EST CE – vastavusdeklaratsioon.** Kinnitab toote järgmise vastavuse vastavalt EL direktiividele ja standarditele: **GR CE – Δήλωση συμμόρφωσης.** Δηλώνει την ακόλουθη συμμόρφωση σύμφωνα με τις οδηγίες και τα πρότυπα της ΕΕ για το άρθρο: **RO CE – Declaratie de conformitate.** Declara următoarea conformitate în conformitate cu directivele și standardele UE pentru articol: **BG CE – Декларация за съответствие.** Декларира следното съответствие съгласно директивите и стандартите на ЕС за артикул: **LV: CE – atbilstības deklarācija.** Deklarē šādu izstrādājuma atbilstību saskaņā ar ES direktīvām un standartiem: **SK : CE – Vyhlásenie o zhode.** Vyhlasuje nasledujúcu zhodu podľa smerníc a noriem EÚ pre výrobok: **H CE – Megfelelőségi nyilatkozat.** Kijelenti a következő megfelelést a cikk EU-irányelvei és szabványai szerint: **لعلن عن امتثالنا CE إعلان المطابقة مع علامة** لتوجيهات الاتحاد الأوروبي ومعايير المادة

**HE: הצהרת תאימות CE.** אנו מצהירים בזאת שהמוצר הבא עומד בדרישות המפורטות בהנחיות והתקנים של ה-**AR: إعلان مطابقة المواصفات الأوروبية CE:** يعلن المطابقة التالية وفقاً لتوجيهات ومعايير الاتحاد الأوروبي للمادة

**Item no.:** 90564, 90565  
**Model no.:** COZ-EL1-PI-13-X-XX, COZ-EL1-PI-17-X-XX,  
**Item name.:** Electric Pizza Oven  
**Item Brand:** Cozze

## Directive

LVD Directive:2014/35/EU  
EMC Directive:2014/30/EU  
RoHS Direktive 2011/65  
Food Contact Directive:1935/2004/EC

## Standards:

EN 60335-2-78:2003 + A1:2008 + A11:2020  
EN 60335-2-36:2002+A1+A2+A11  
EN 60335-1: 2012+A11+ A13+A1+A14+A2+A15  
EN 62233: 2008

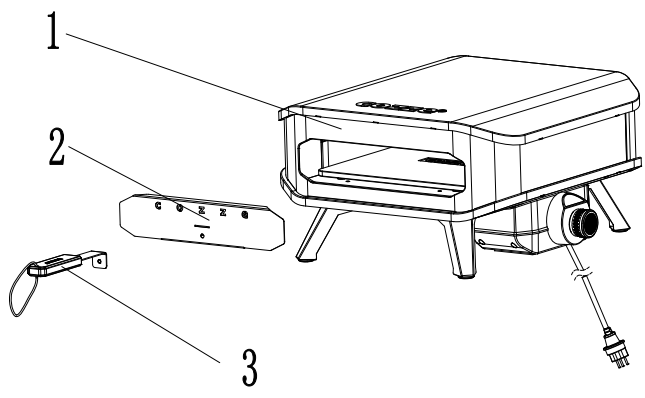
EN IEC 55014-1:2021  
EN IEC 55014-2:2021  
EN IEC 61000-3-2: 2019 + A1:2021  
EN 61000-3-3: 2013 + A1:2019 + A2:2021  
IEC 62321-3-1: 2013

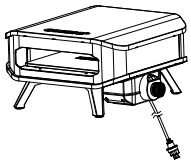


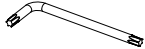
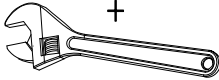
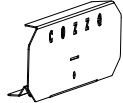

Lystrup, Denmark 1-12-2023

Signeret Lars Børentsen

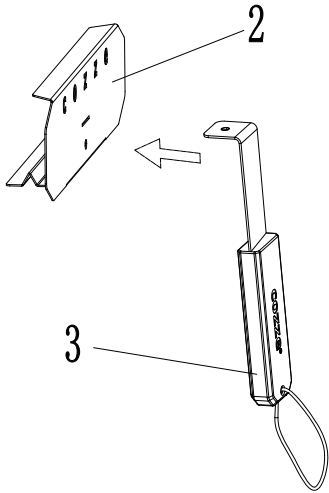
DK-8520 Lystrup  
www.millarco.com









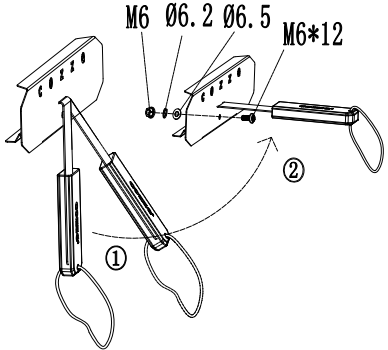
1		*1	       +
2		*1	
3		*1	

1

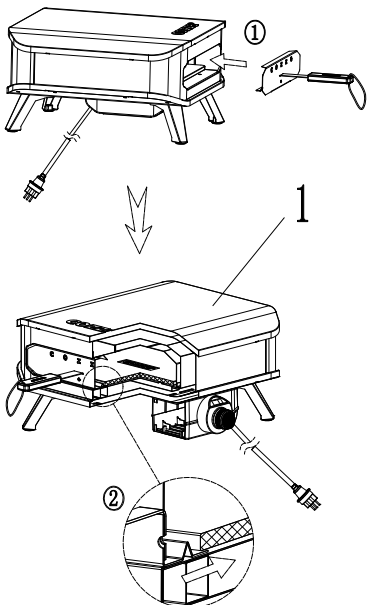


2

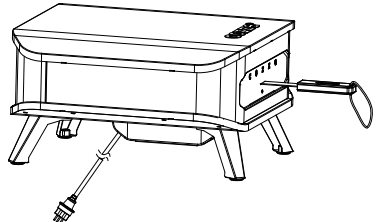
-  M6 -1
-  M6\*12 -1
-  Ø6.2 -1
-  Ø6.5 -1



3



4



OK



FIND MORE INSPIRATION ONLINE AT  
[COZZEBBQ.COM](https://cozzebbq.com)



Manufactured by,  
**Millarco International A/S**  
Rokhøj 26, 8520 Lystrup - Denmark  
[millarco.com](https://millarco.com)  
[cozzebbq.com](https://cozzebbq.com)



**cozze**®