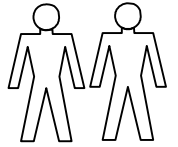


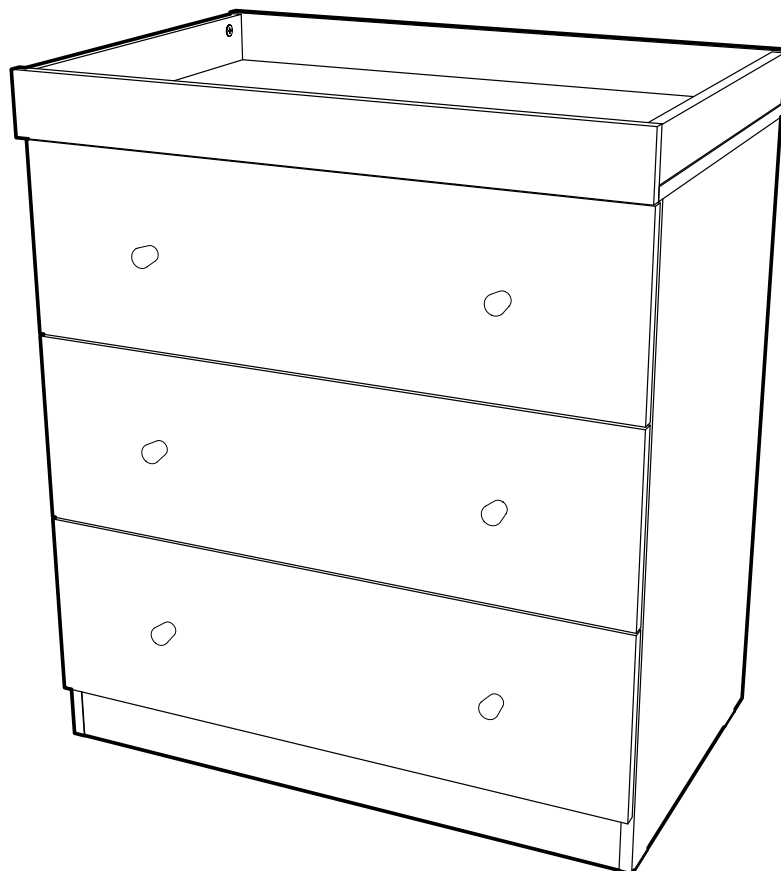
*DO NOT DRAG
2 MAN LIFT*

Burlington





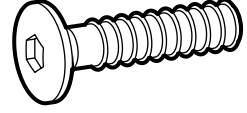
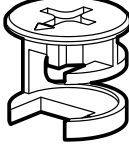
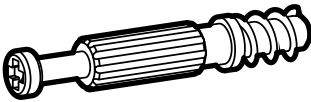
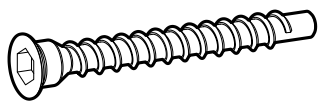


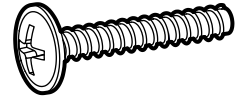

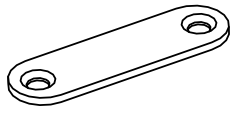
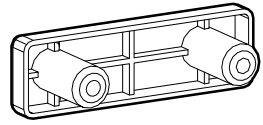

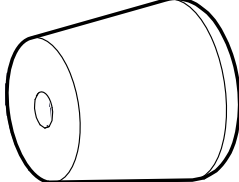
Dresser

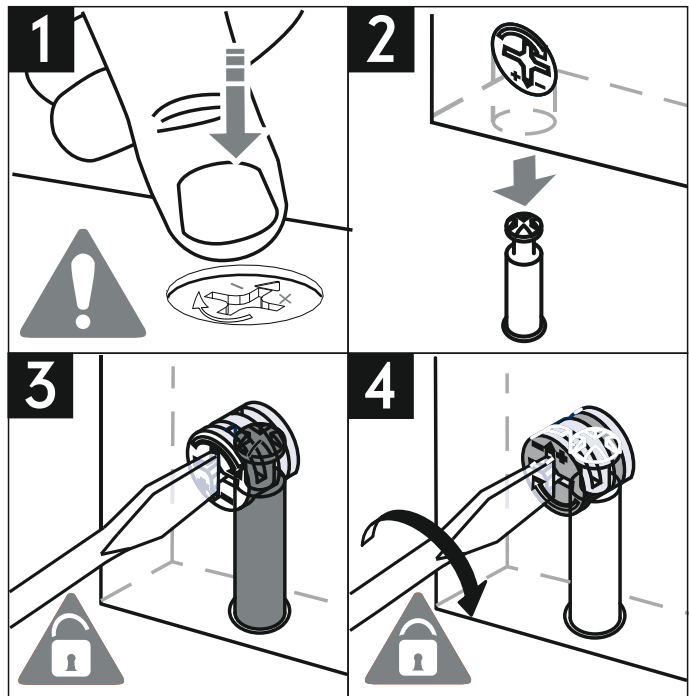
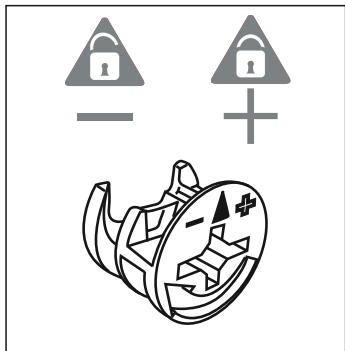
Assembly instruction



**IMPORTANT: RETAIN FOR FUTURE REFERENCE:
READ CAREFULLY**

IND. 4021378

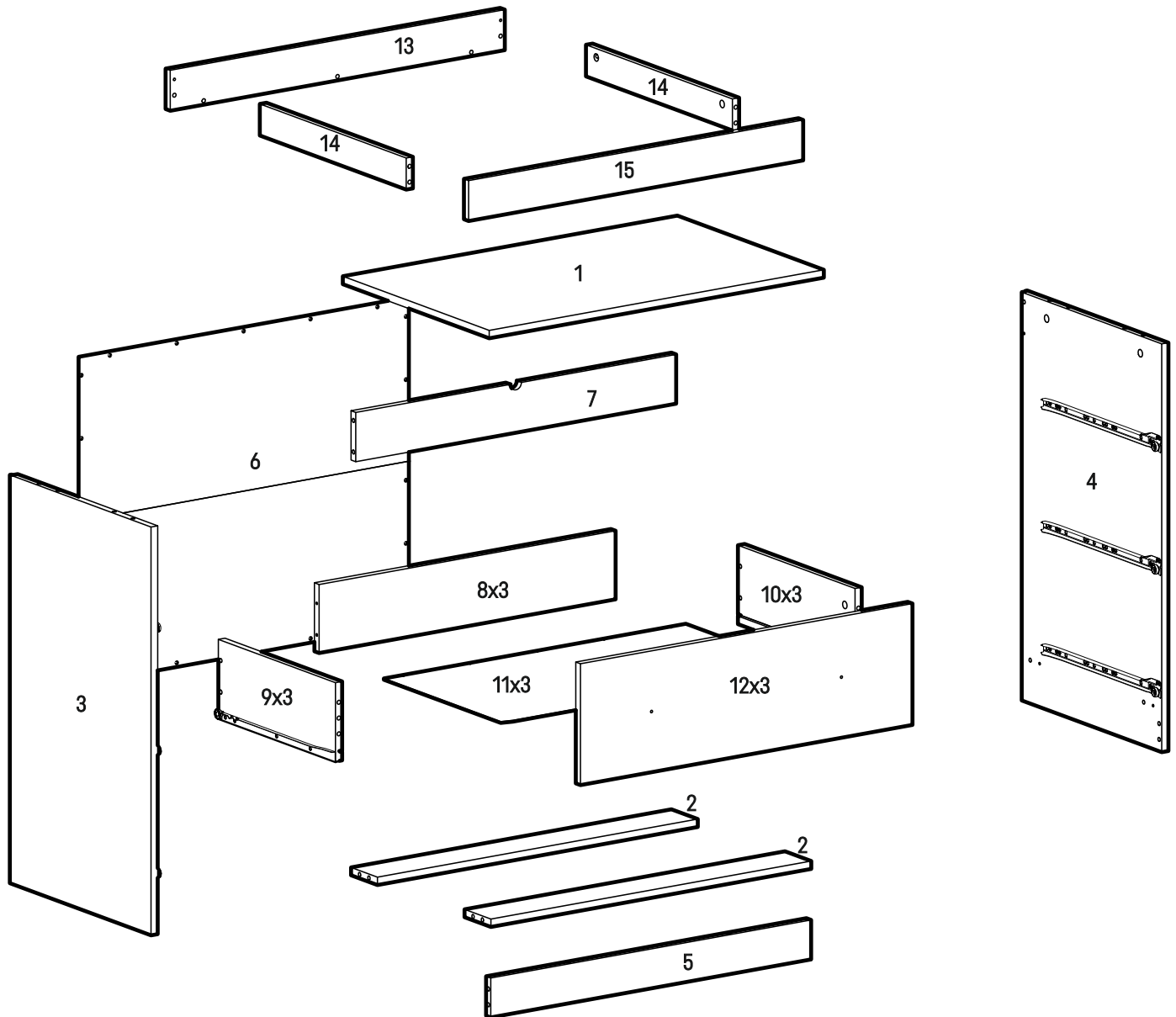
<p>1000806</p>  <p>x 1</p>	<p>1005857</p>  <p>x 26</p>	<p>1005727</p>  <p>x 3</p>
<p>1005367</p>  <p>x 28</p>	<p>1006091</p>  <p>x 28</p>	<p>1005876</p>  <p>x 12</p>
<p>1006012</p>  <p>x 43</p>	<p>1002152</p>  <p>x 3</p>	<p>1005471</p>  <p>x 6</p>
<p>1115207</p>  <p>x 4</p>	<p>1001786</p>  <p>x 2</p>	<p>1000868</p>  <p>x 4</p>
<p>1000893</p>  <p>x 1</p>	<p>2150437</p>  <p>x 6</p>	




BEFOR ASSEMBLY

MAIN COMPONENTS

- unpack all the parts and identify them against the fitting and components list.
- do not discard any packaging until you have checked that you have all parts as shown below.
- you may find the construction of your dresser easier if you have the help of another person.
- crosshead screwdriver (not provided).

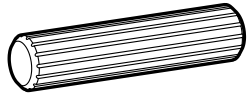


ARTIKELNUMMER ITEM NUMER ARTIKELNUMMER		4021378	AANTAL QUANTITY ANZAHL	AFTMETINGEN [mm] DIMENSIONS [mm] ABMESSUNGEN [mm]		
1	2/2	2220477	1	800	500	16
2	2/2	2220478	2	766	90	16
3	1/2	2220479	1	828	482	16
4	1/2	2220480	1	828	482	16
5	1/2	2220482	1	766	80	16
6	2/2	2219721	1	788	664	2,5
7	2/2	2220481	1	766	100	16
8	2/2	2220486	3	709	139	16
9	1/2	2220484	3	400	160	16
10	1/2	2220485	3	400	160	16
11	1/2	2220487	3	722	405	2,5
12	2/2	2220483	3	794	246	16
13	1/2	2220489	1	800	82	16
14	2/2	2220490	2	500	64	16
15	1/2	2220488	1	800	82	16

EN. In case of complain please advise the spare part number.

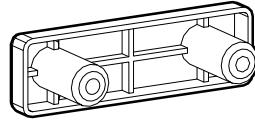
1

1005857



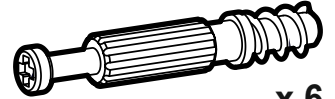
x 4

100868



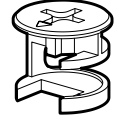
x 4

1006091

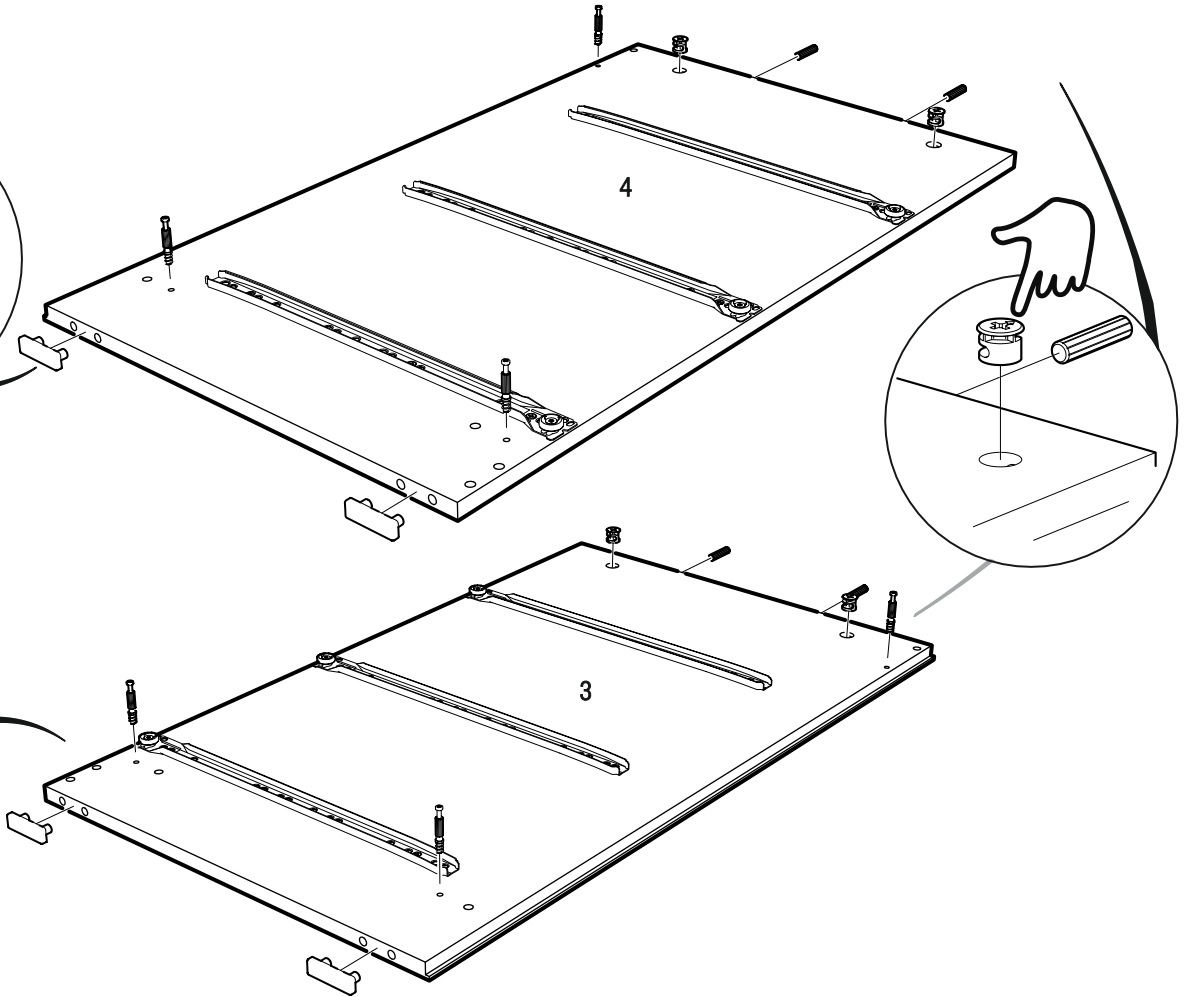


x 6

1005367

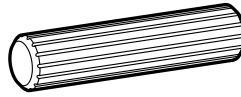


x 4



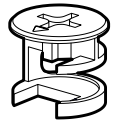
2

1005857

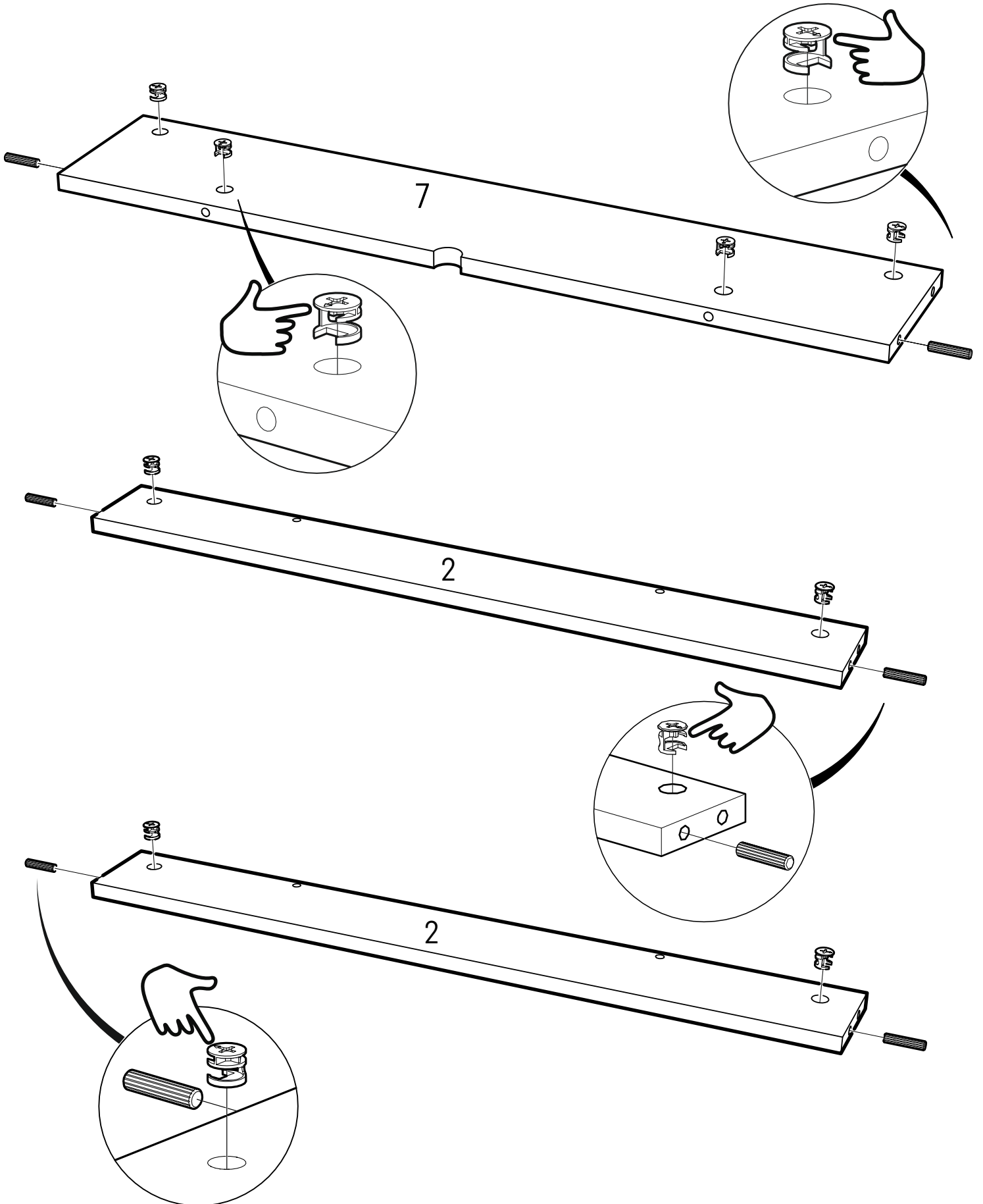


x 6

1005367

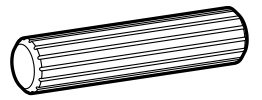


x 8

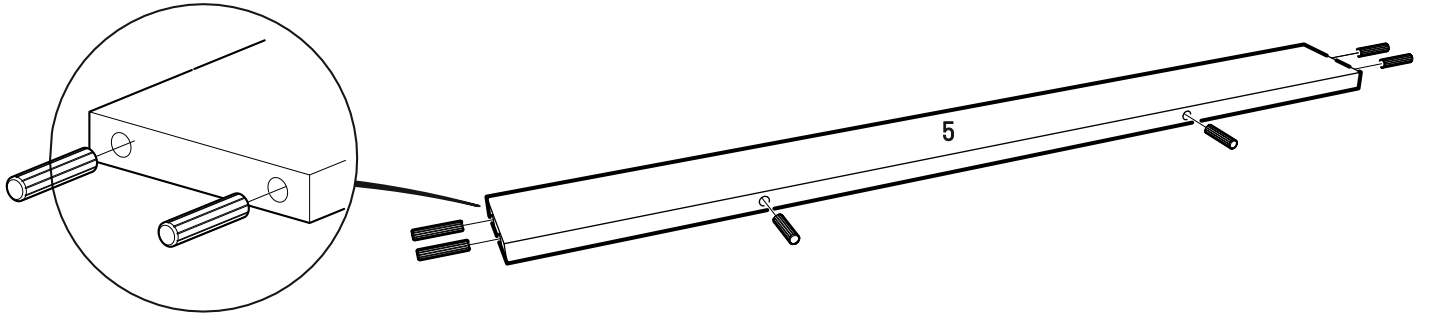


3

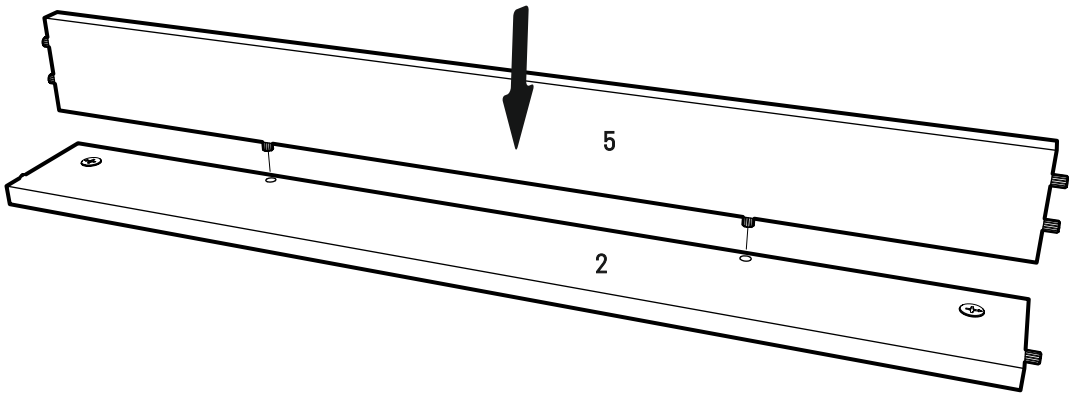
1005857



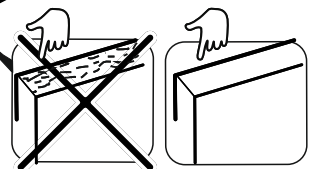
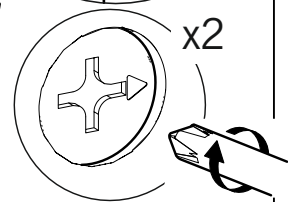
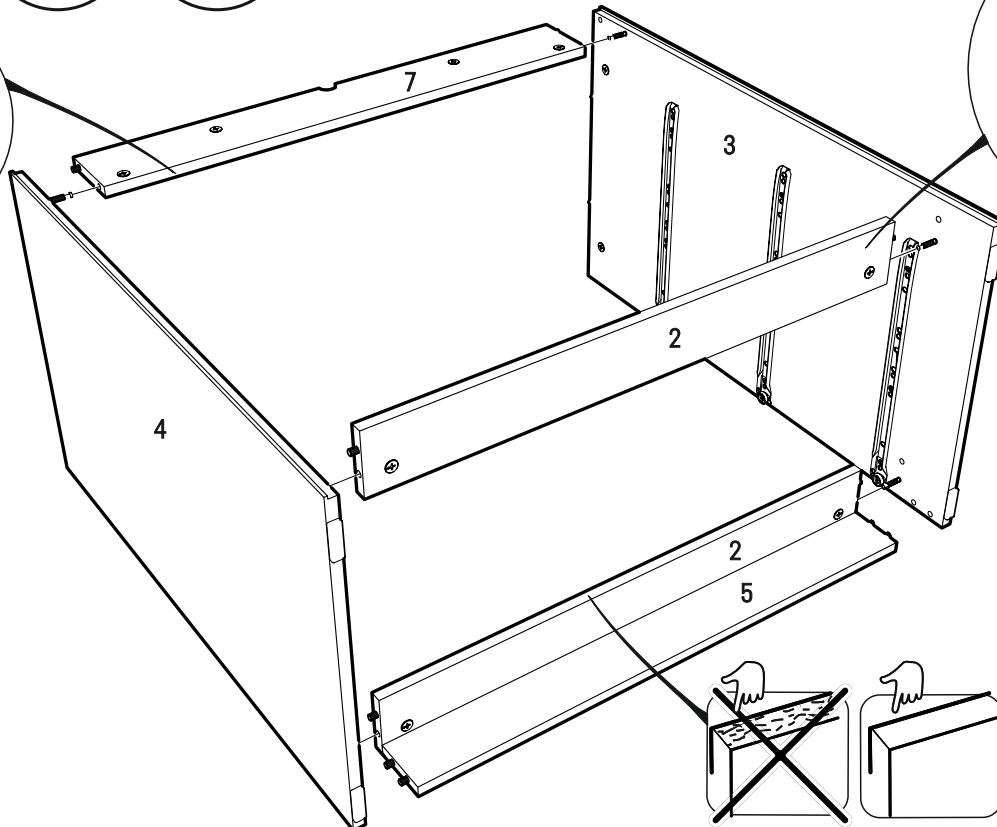
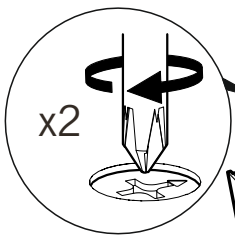
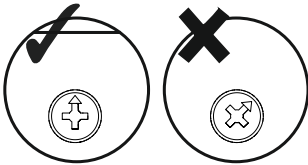
x 6



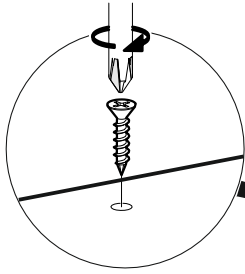
4



5



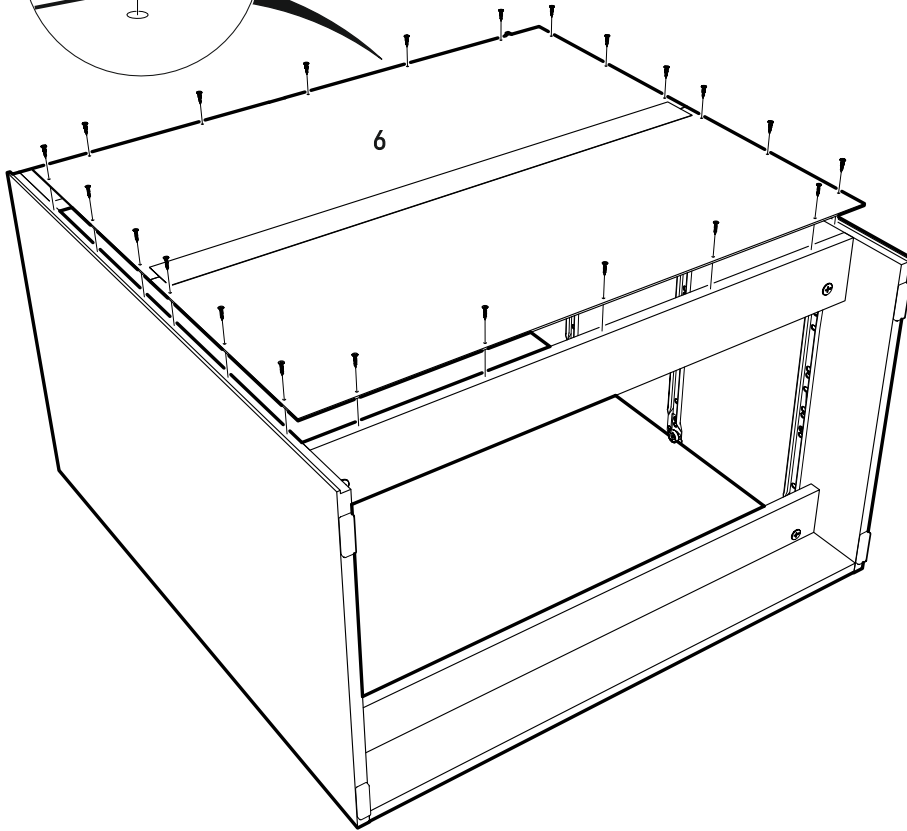
6



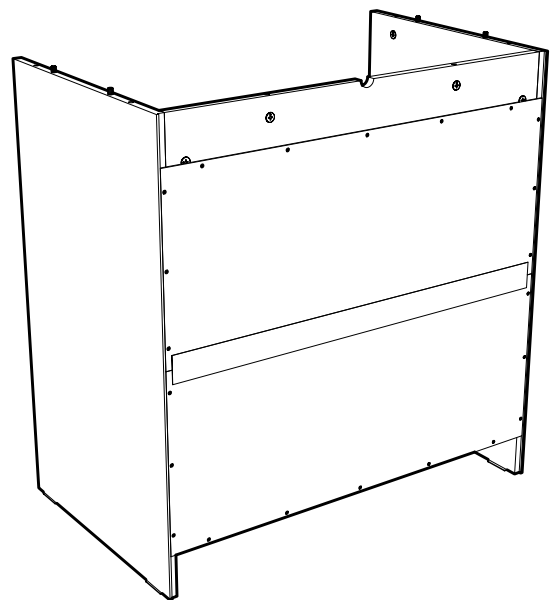
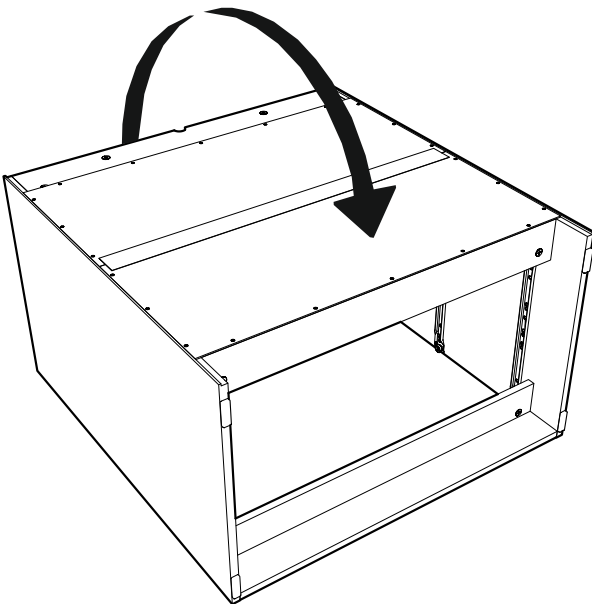
1006012



x 22

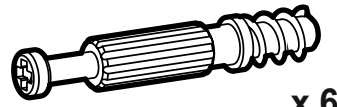


7

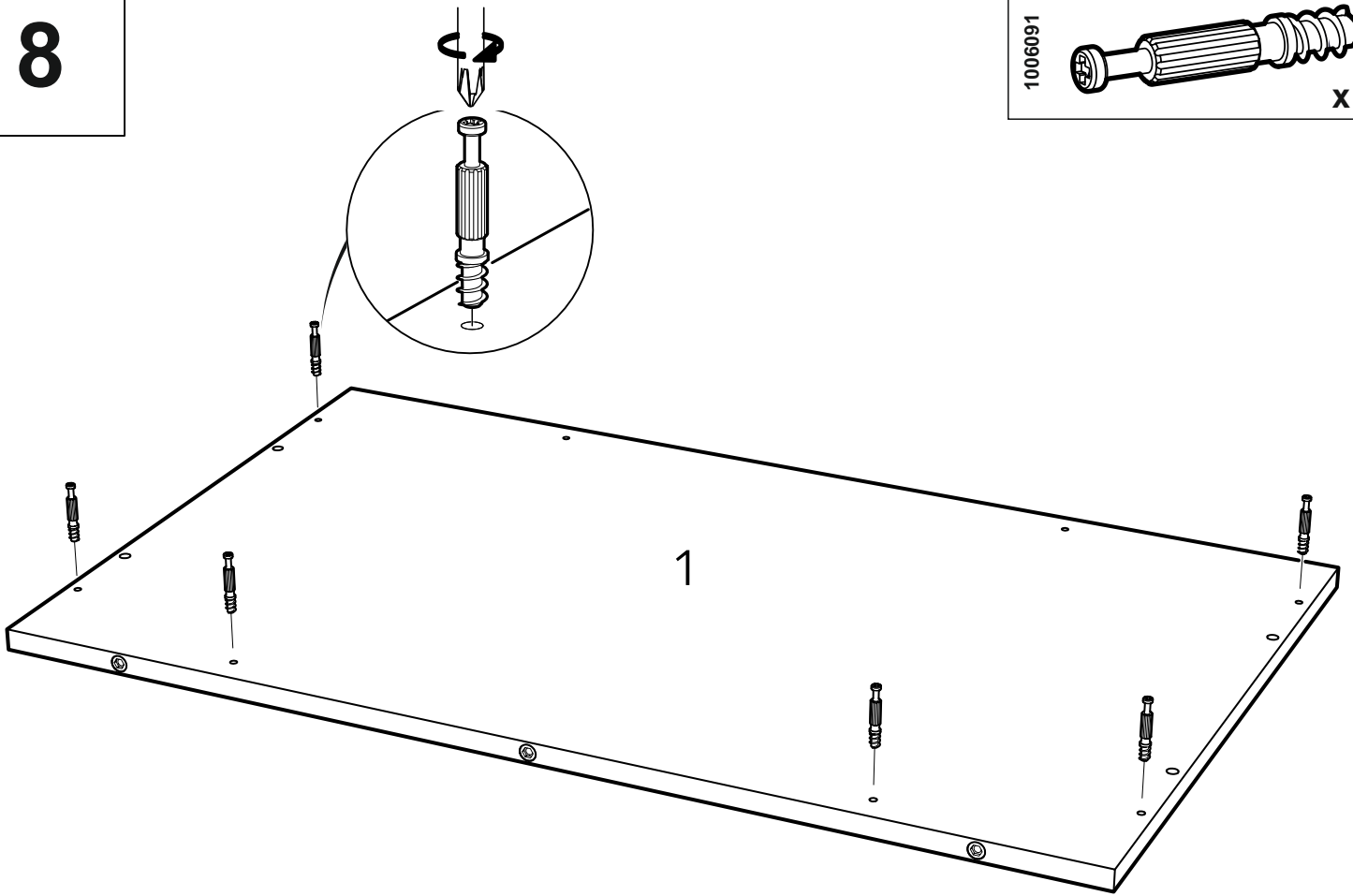


8

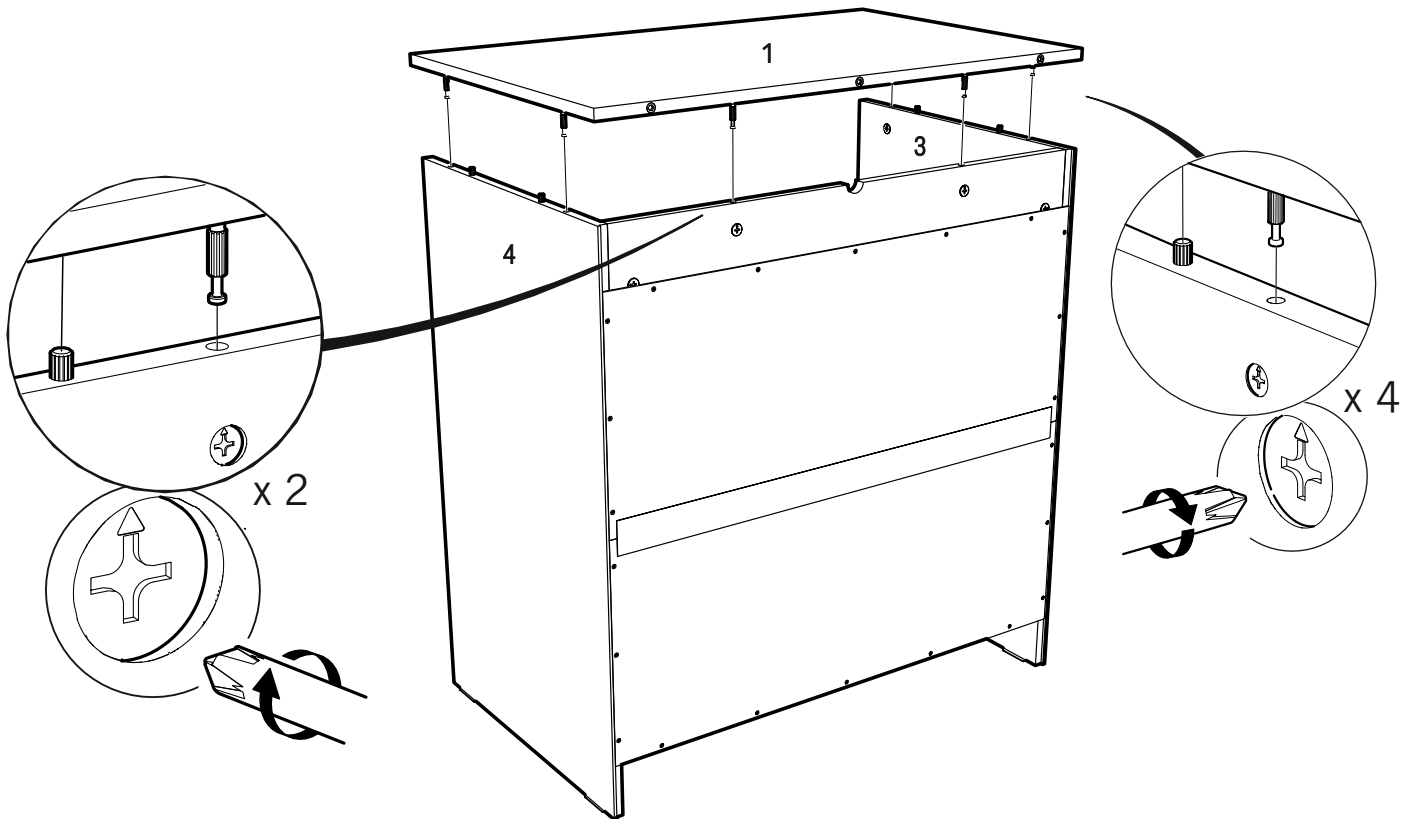
1006091



x 6

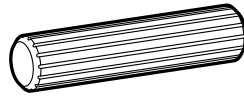


9



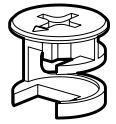
10

1005857

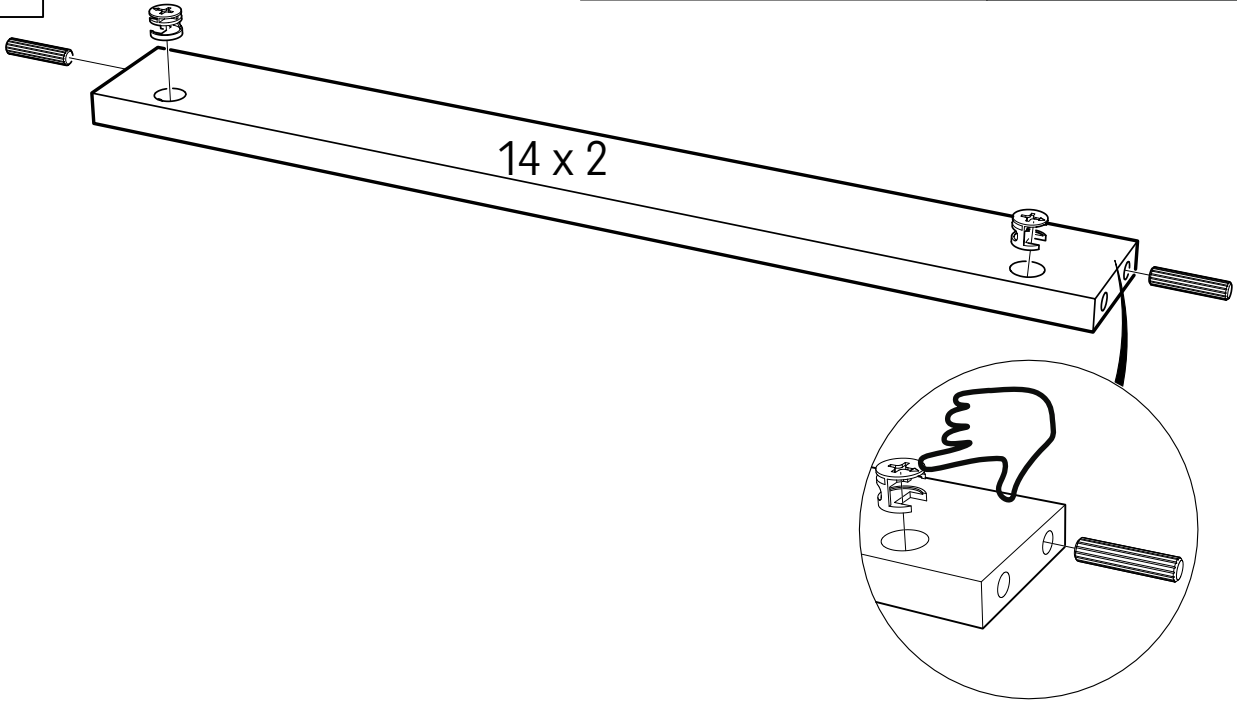


x 4

1005367

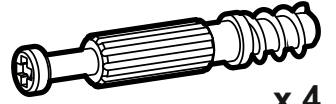


x 4

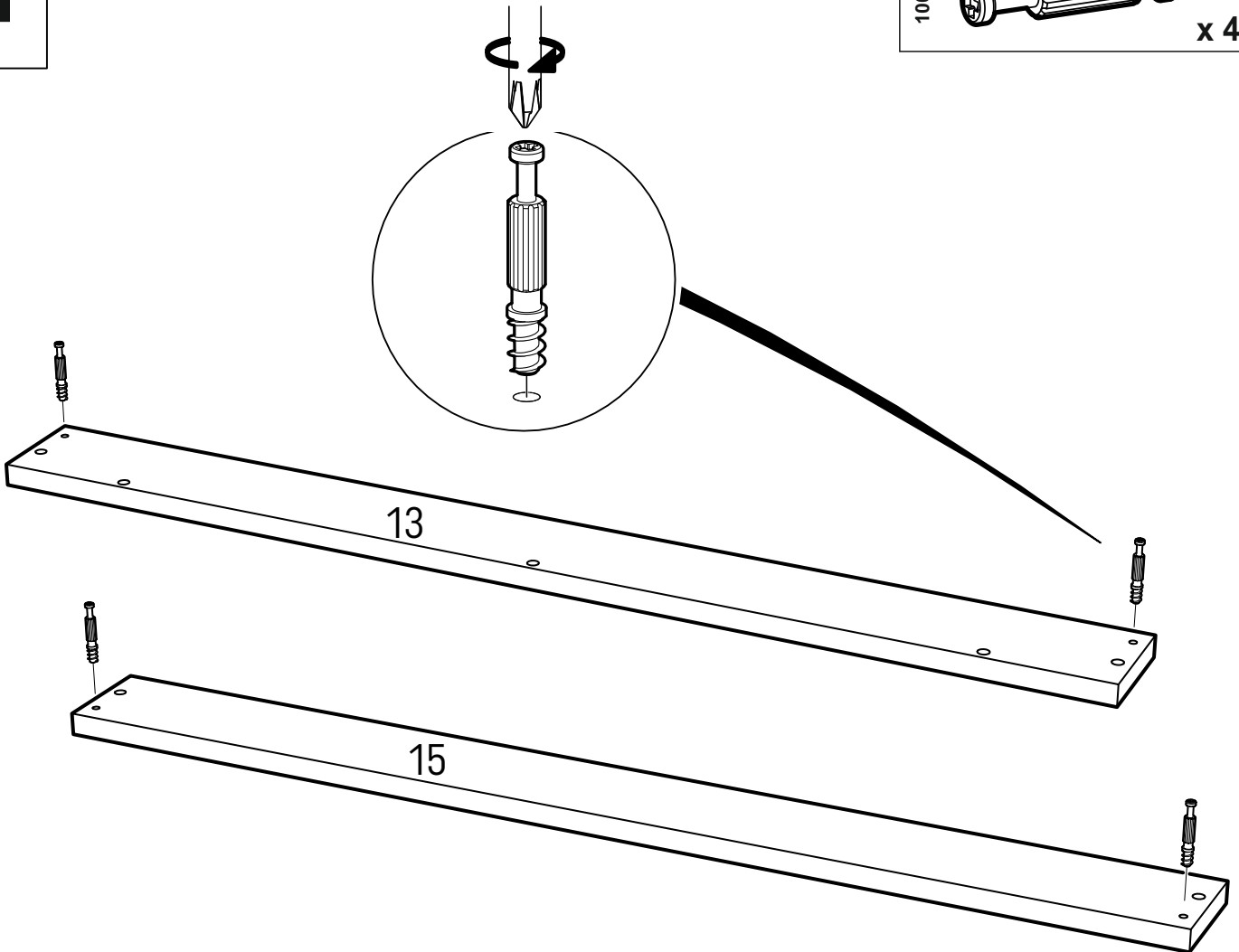


11

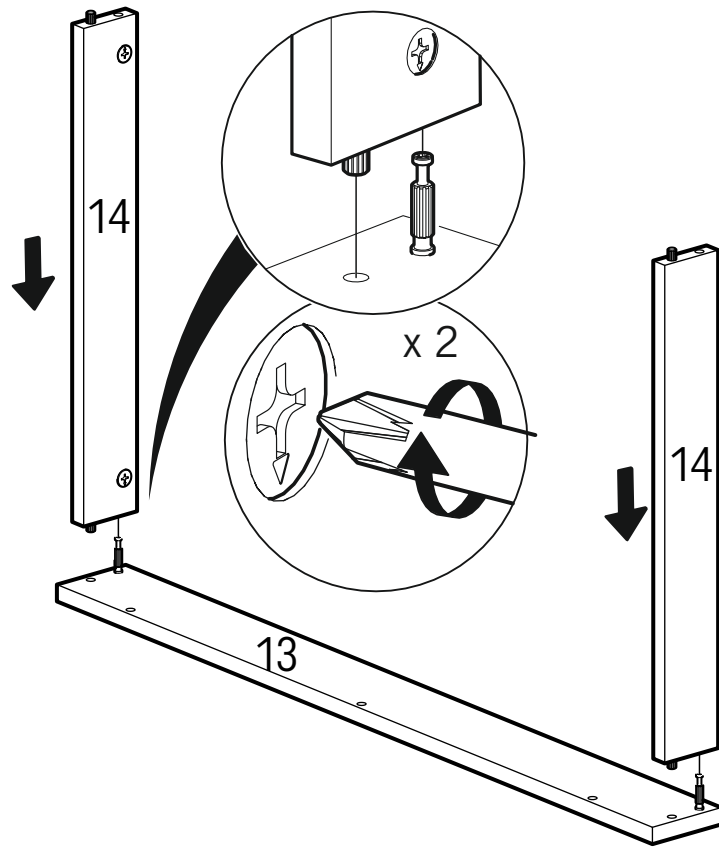
1006091



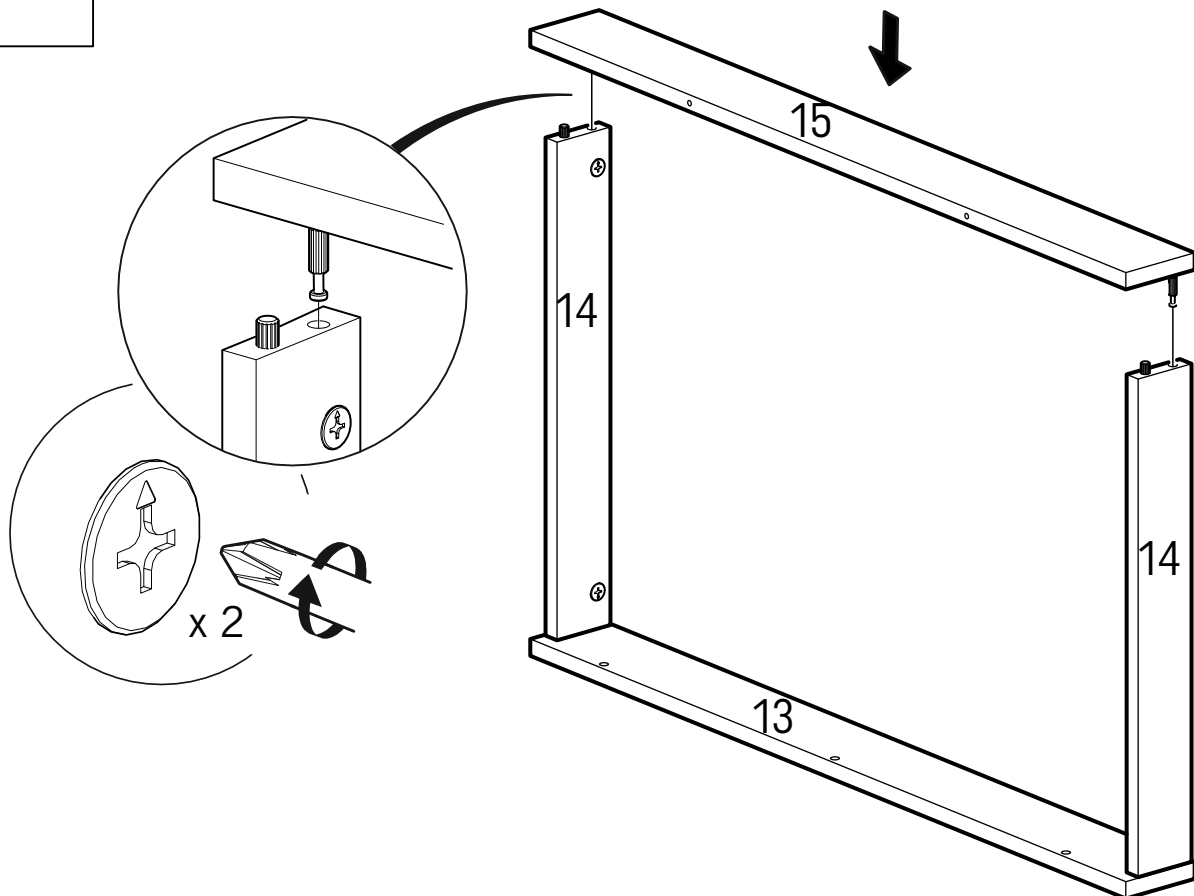
x 4



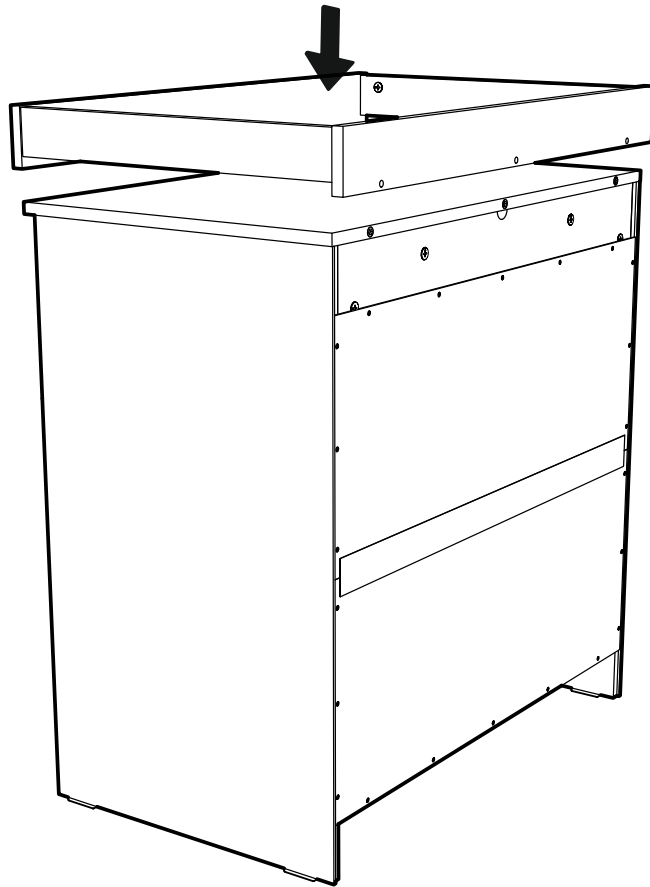
12



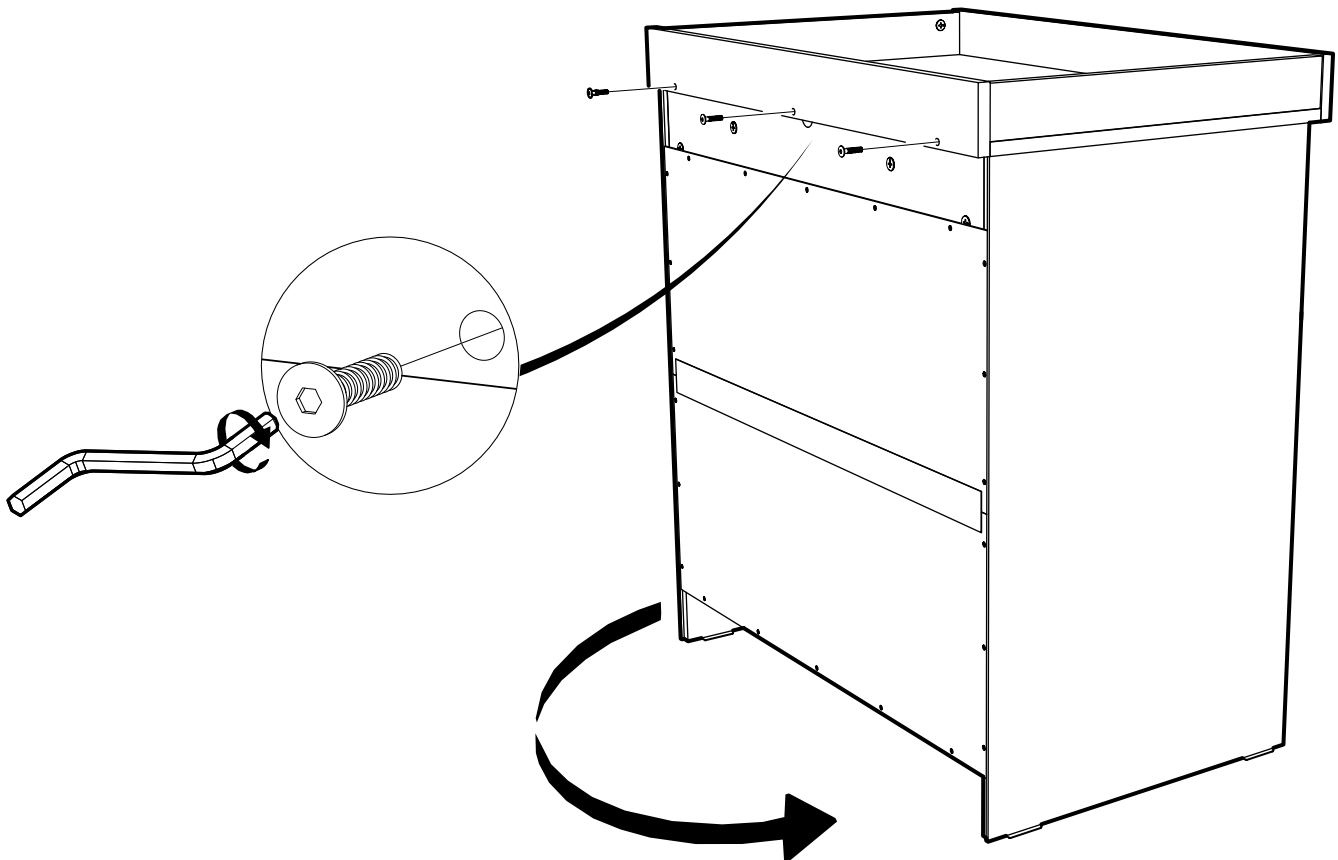
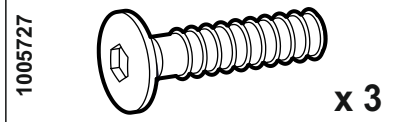
13



14

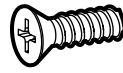


15



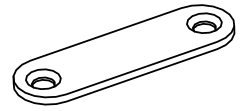
16

1115207

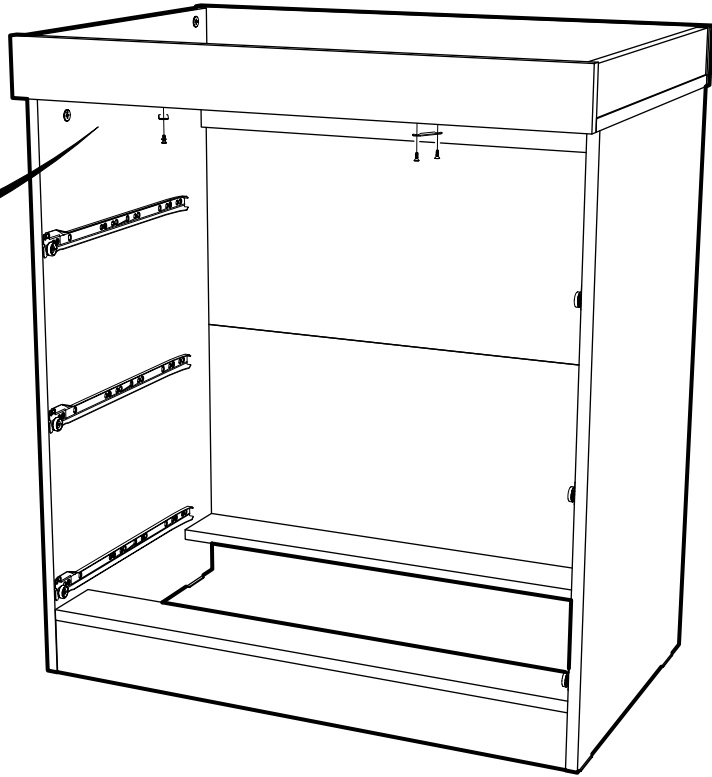
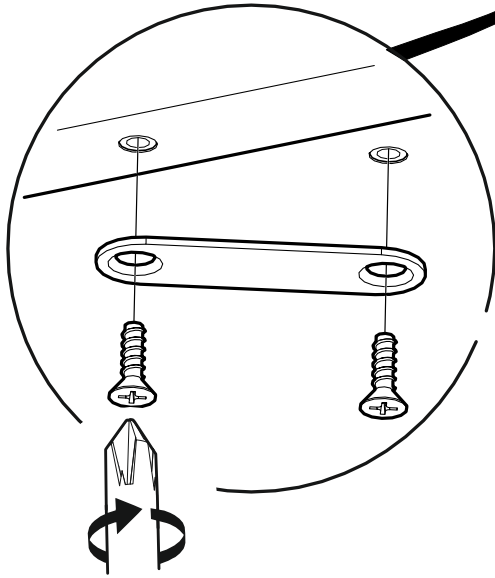


x 4

1001786

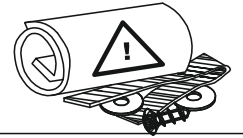


x 2



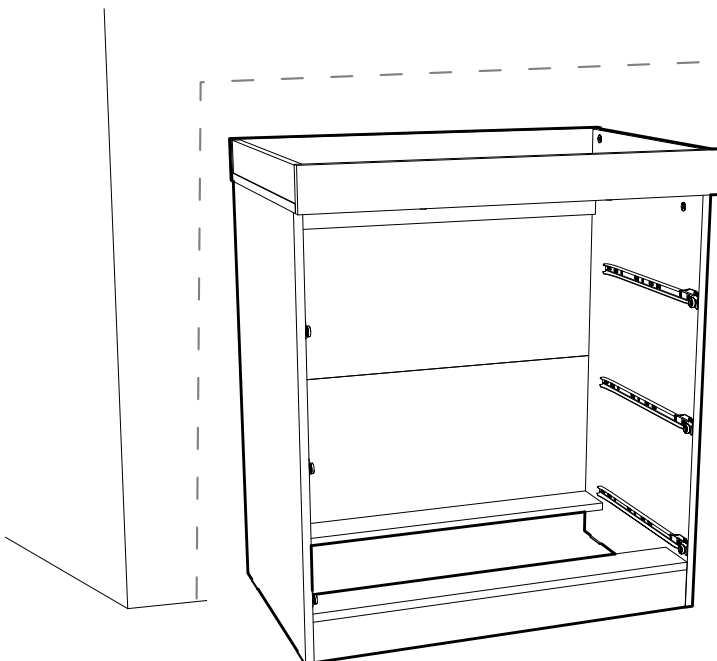
17

1000893

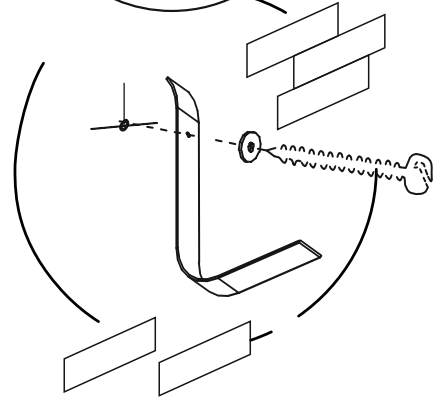
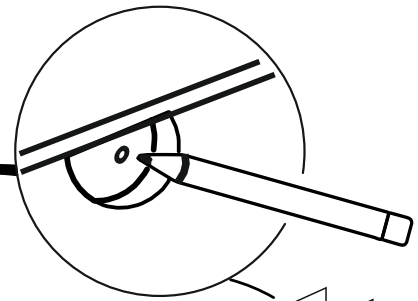


x 1

ATTENTION! Furniture shall be fixed to the wall to prevent it from falling over during the use. Fixing the furniture to the wall shall be carried out in accordance to instruction attached to the fitting

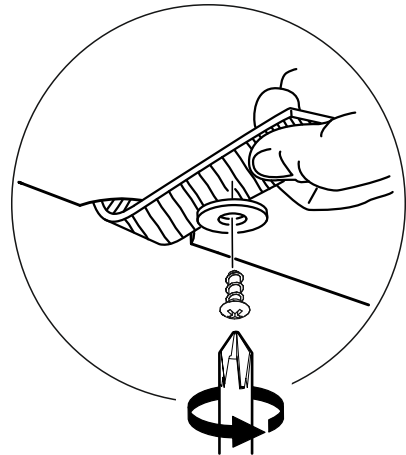
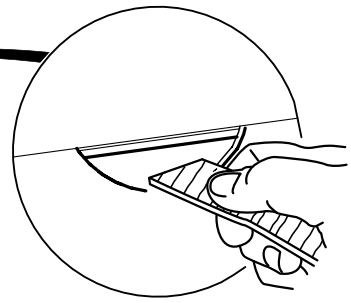


18



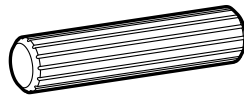
Appropriate fittings shall be chosen for slat assembly depending on wall kind.
If you are not sure about the wall kind please consult it with an expert.

19



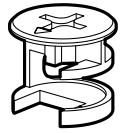
20

1005857

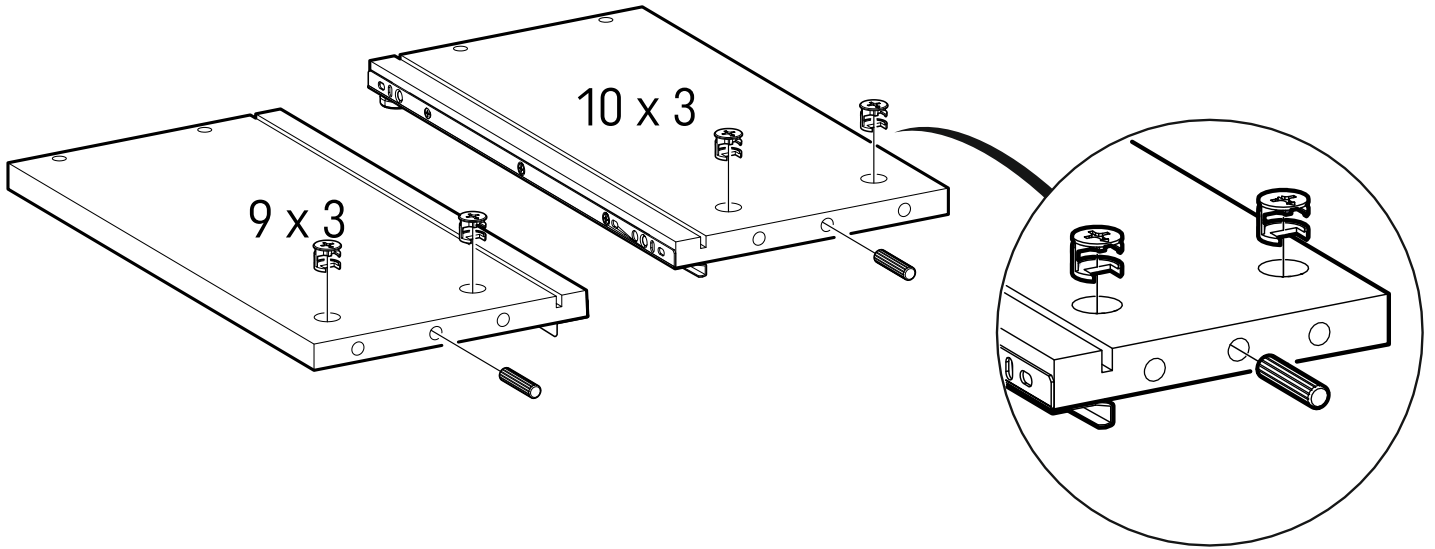


x 6

1005367

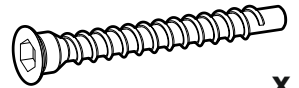


x 12

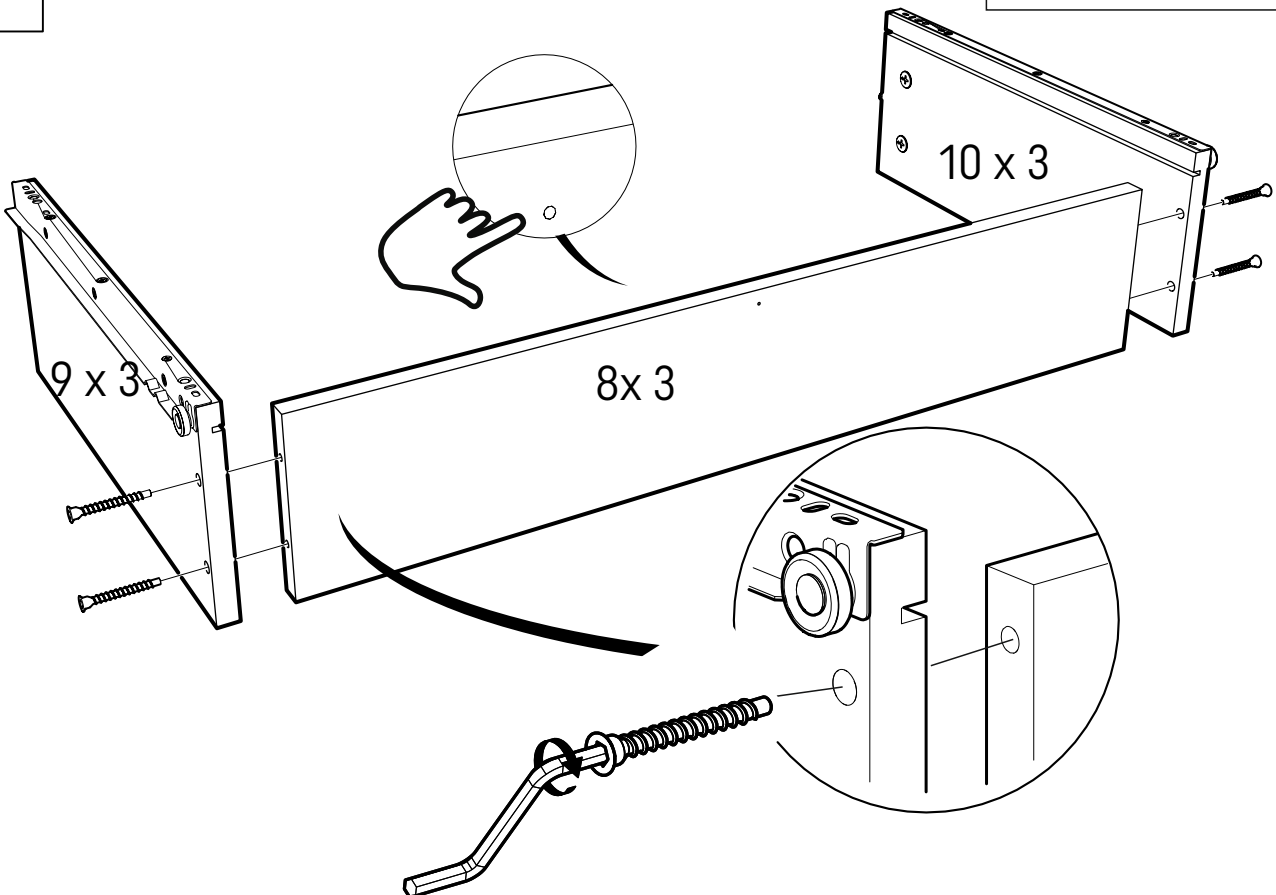


21

1005876

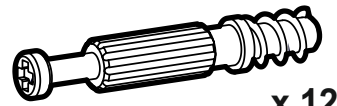


x 12

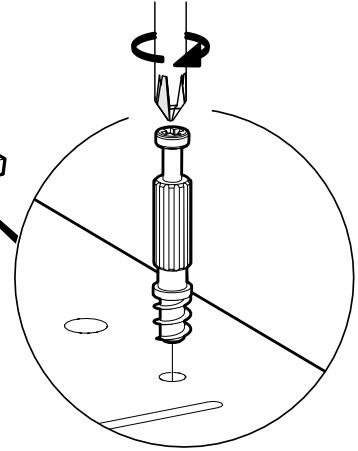
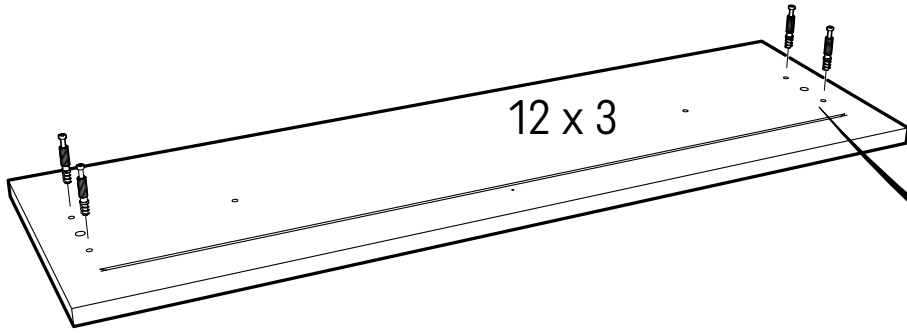


22

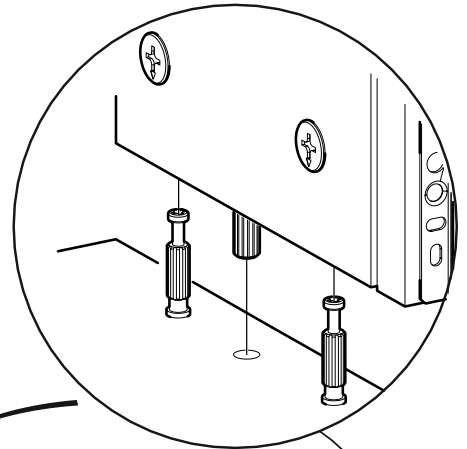
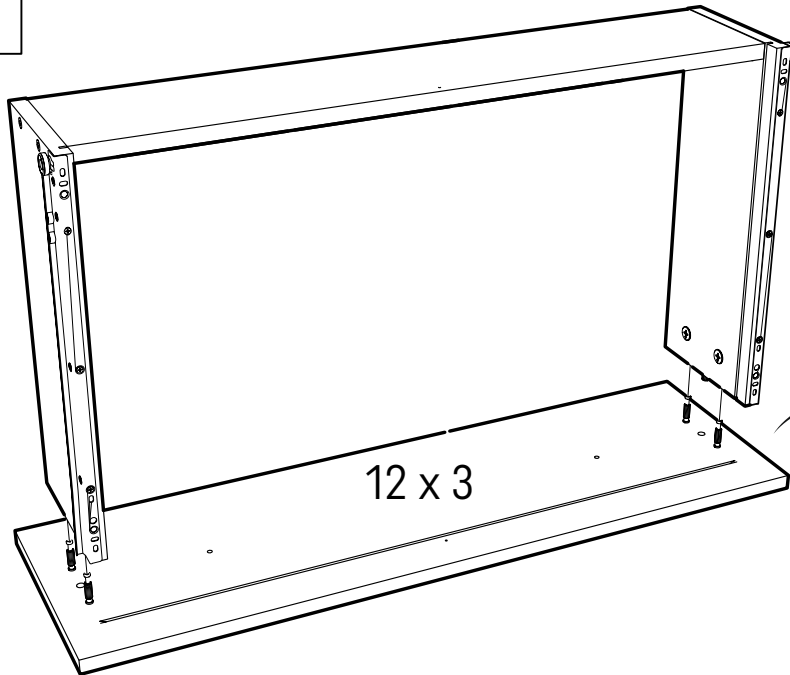
1006091



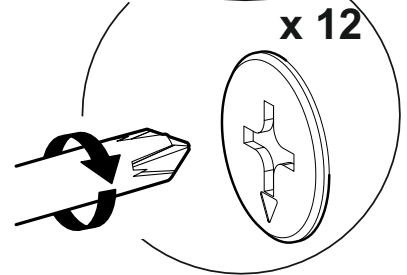
x 12



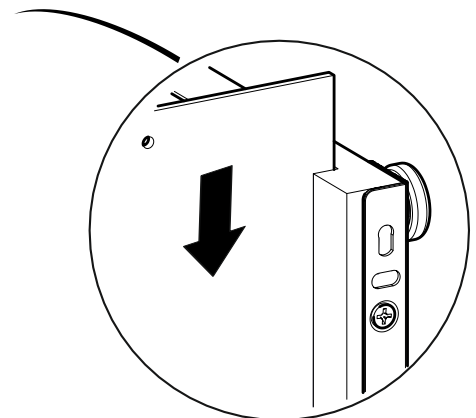
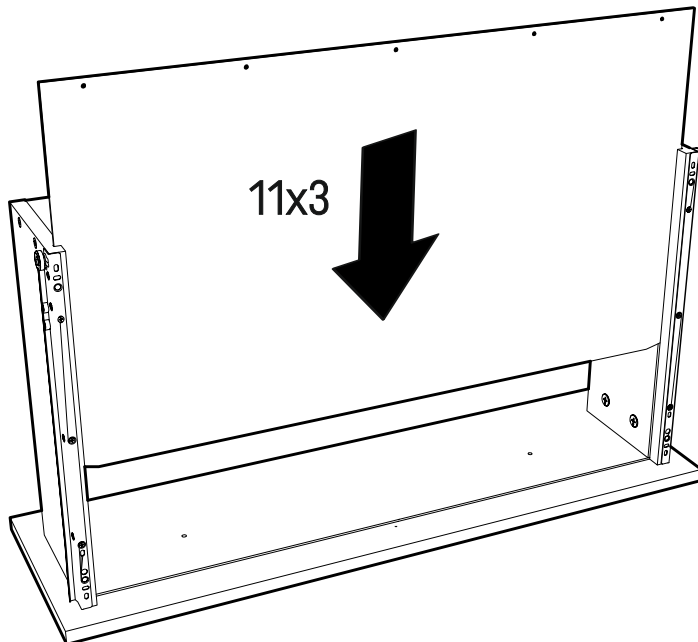
23



x 12



24

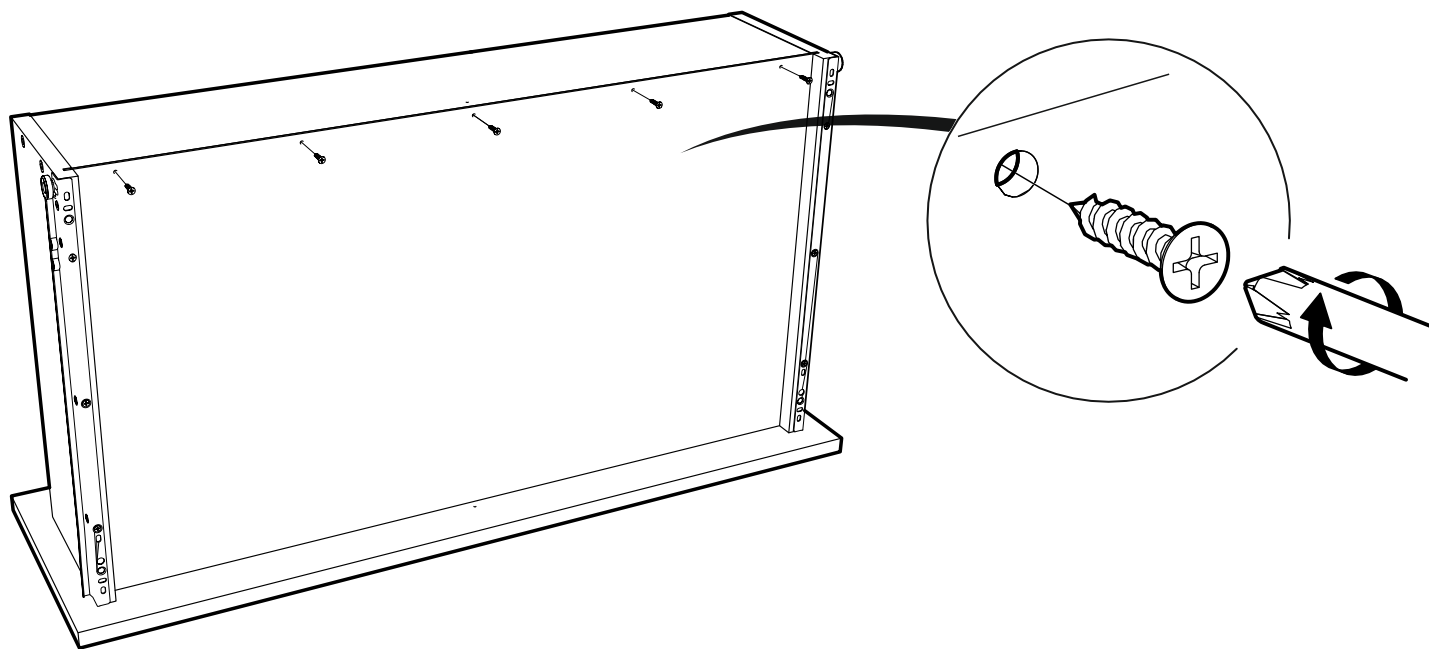


25

1006012



x 15



26

1006012

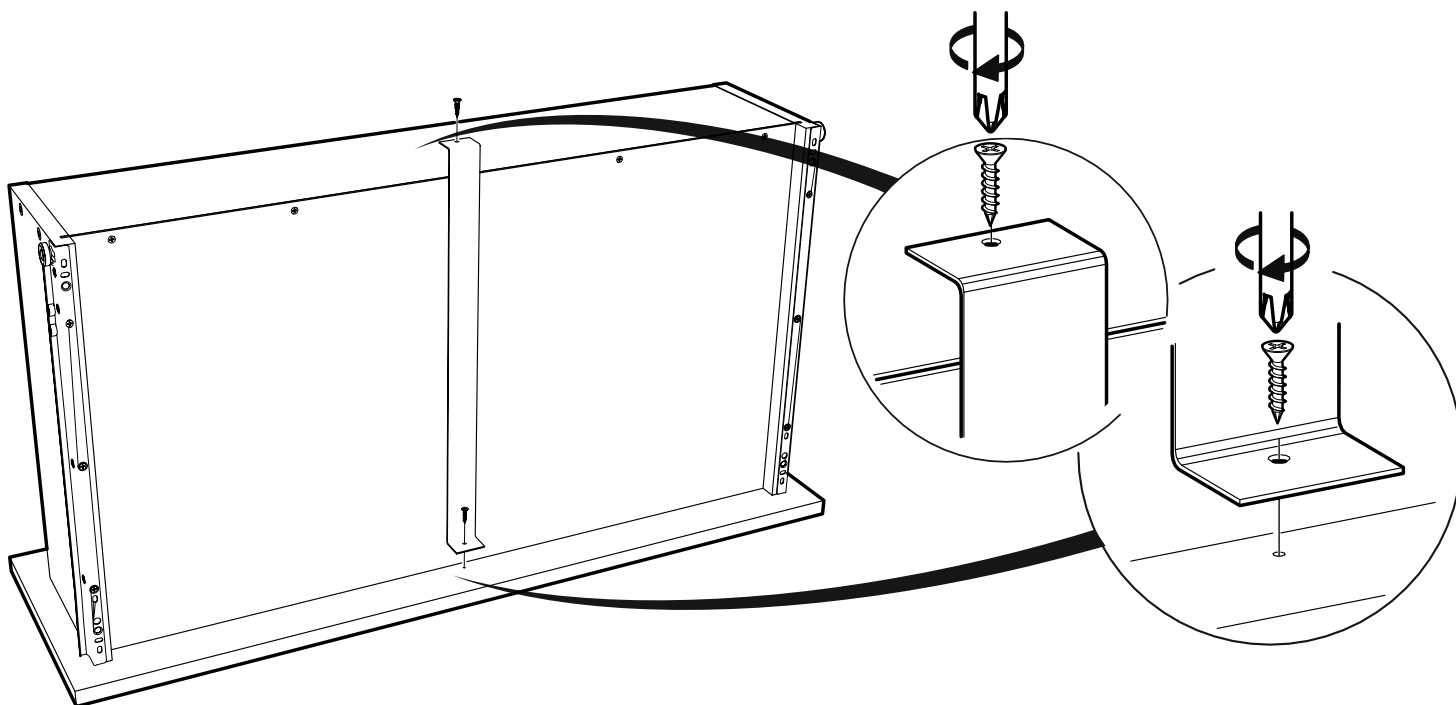


x 6

1002152

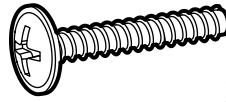


x 3



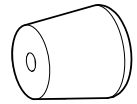
27

1005471

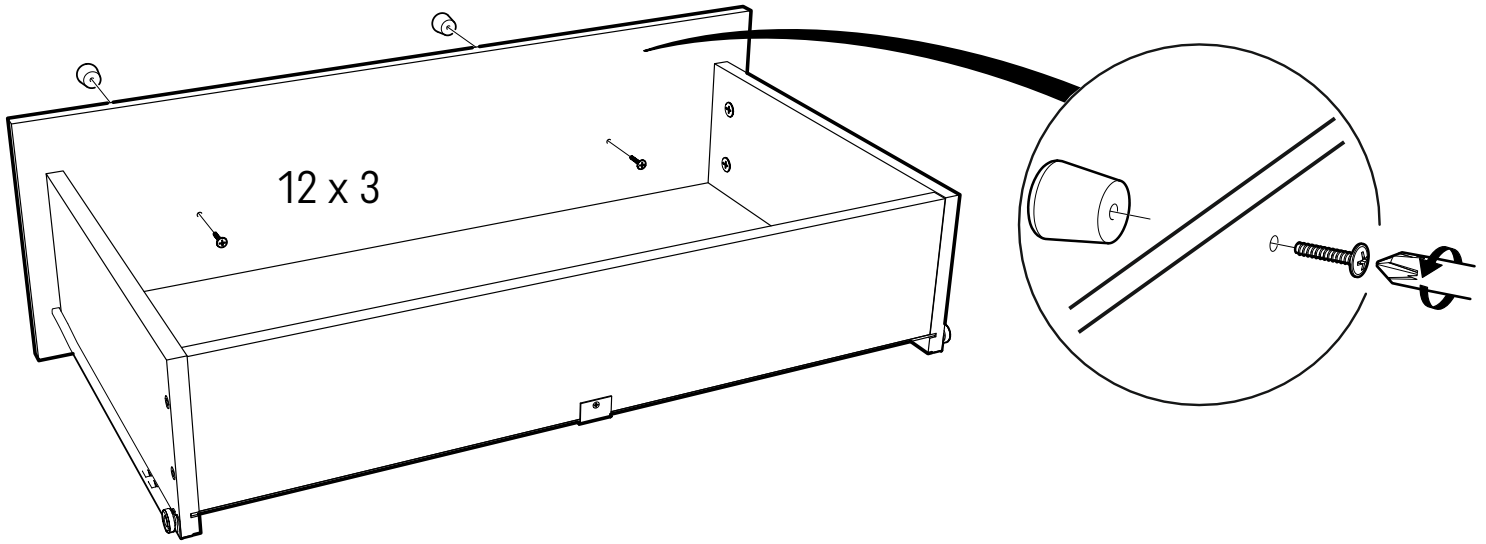


x 6

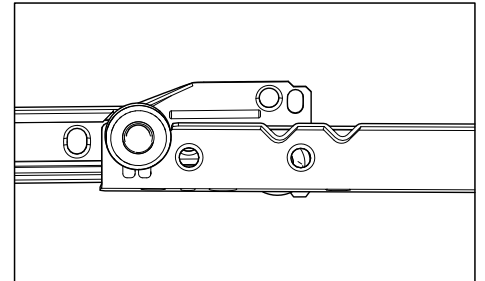
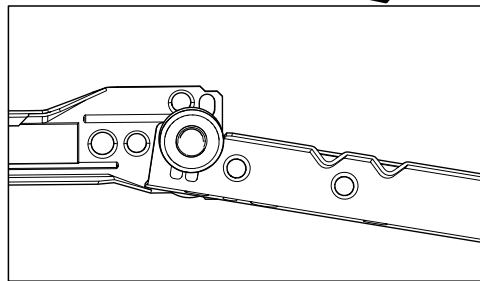
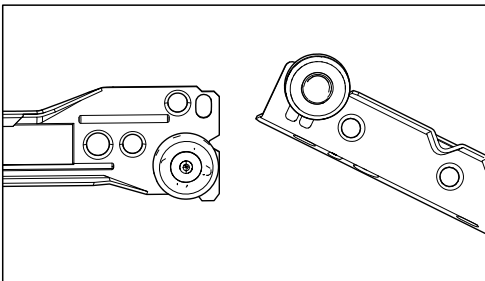
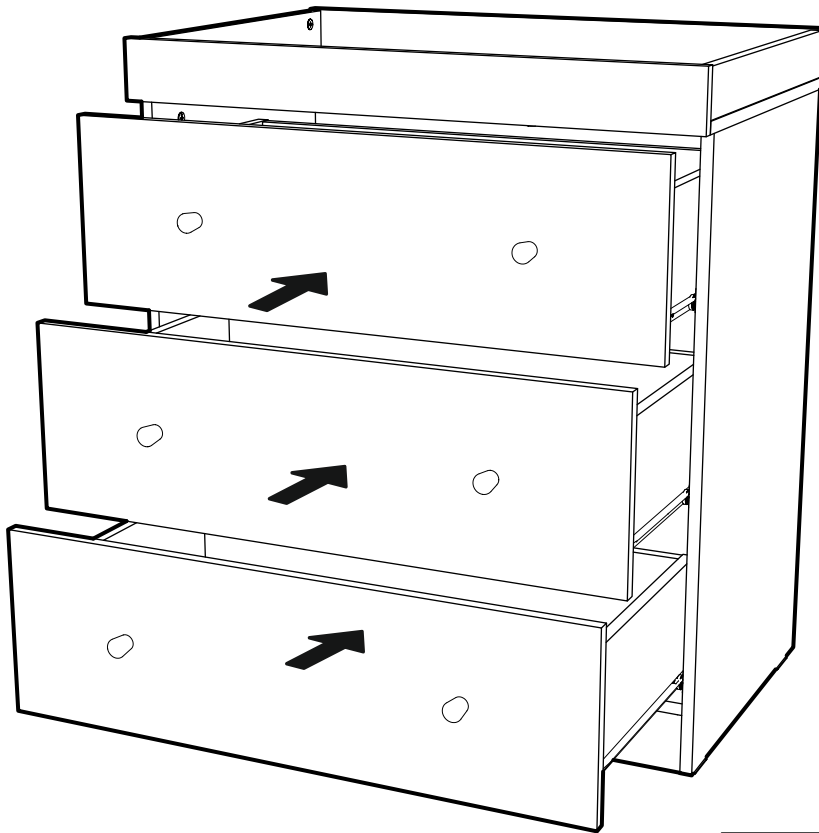
2150437

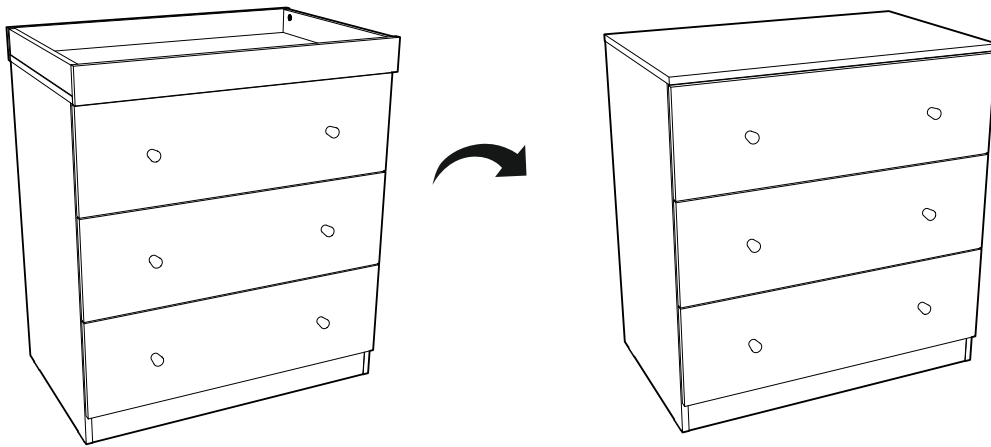


x 6

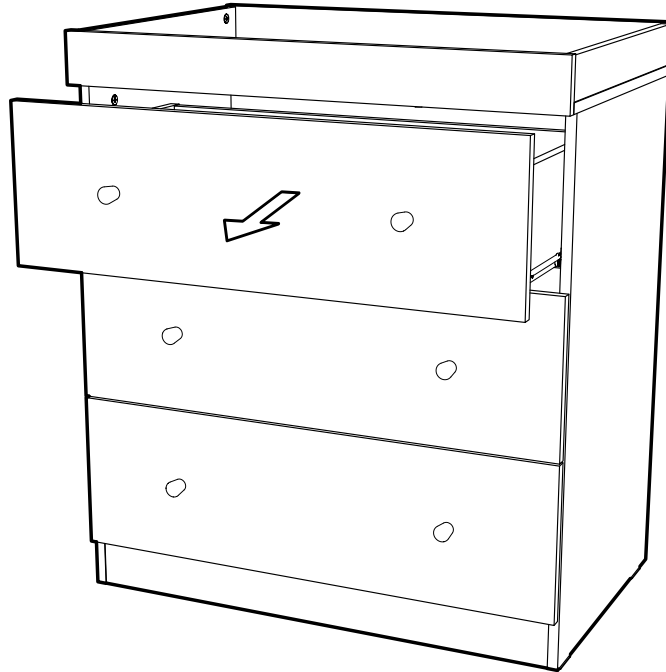


28

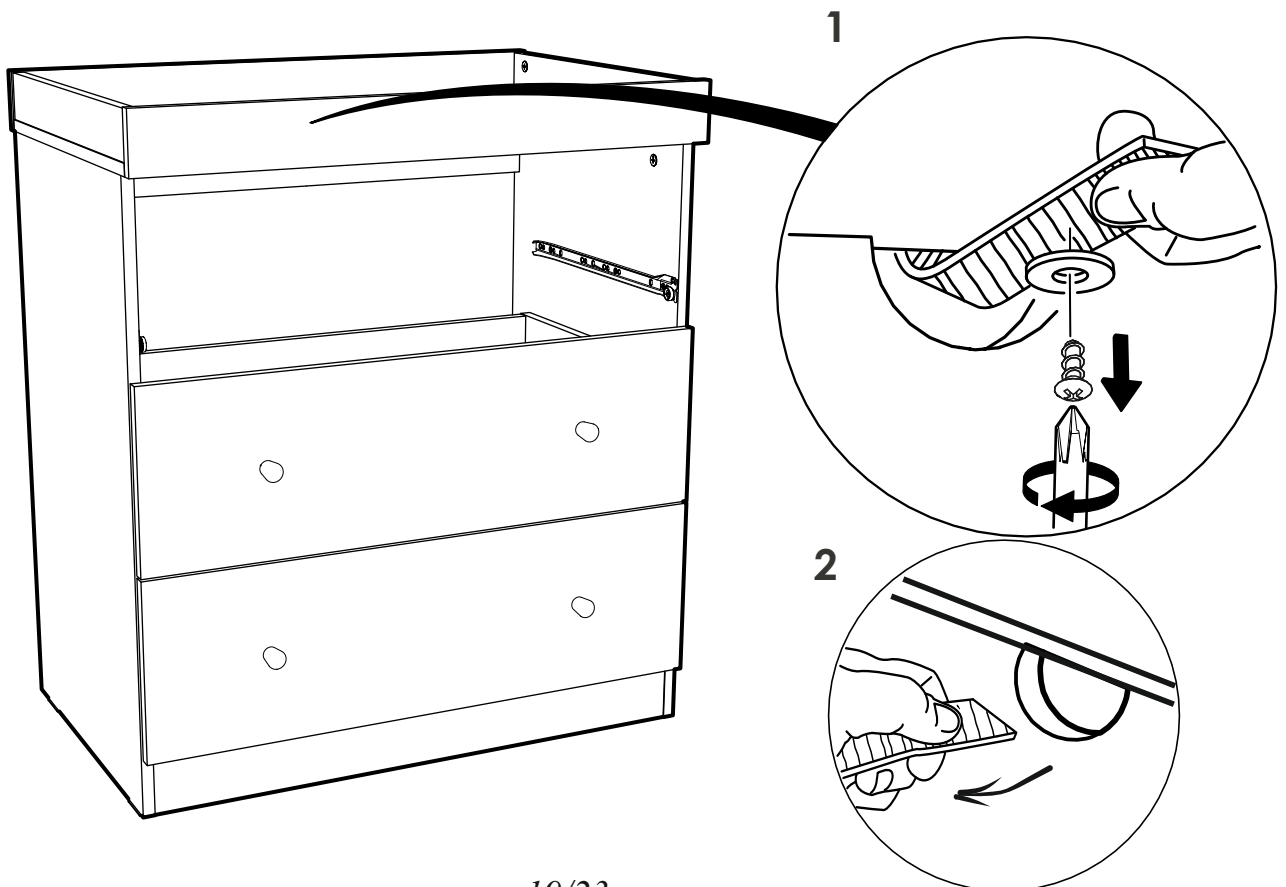




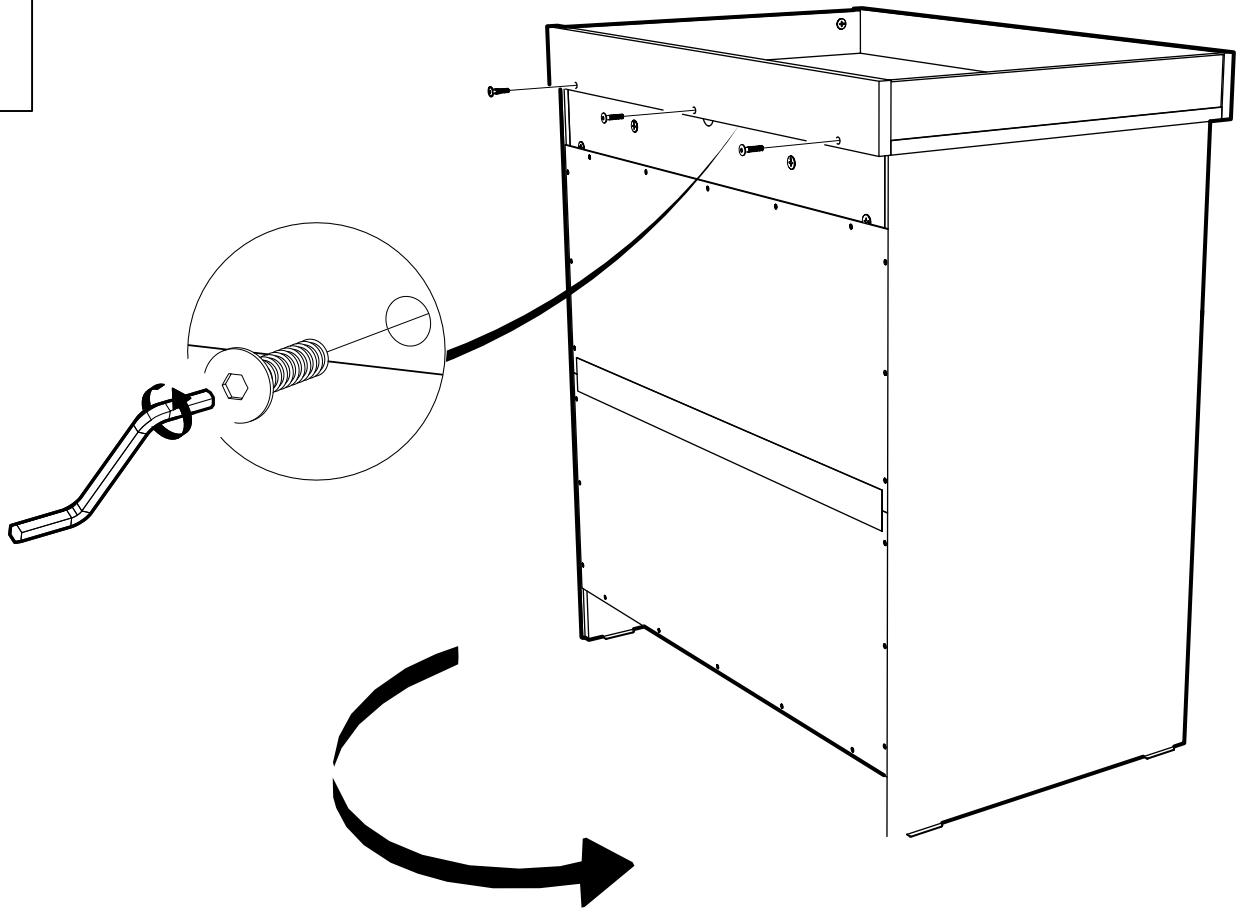
29



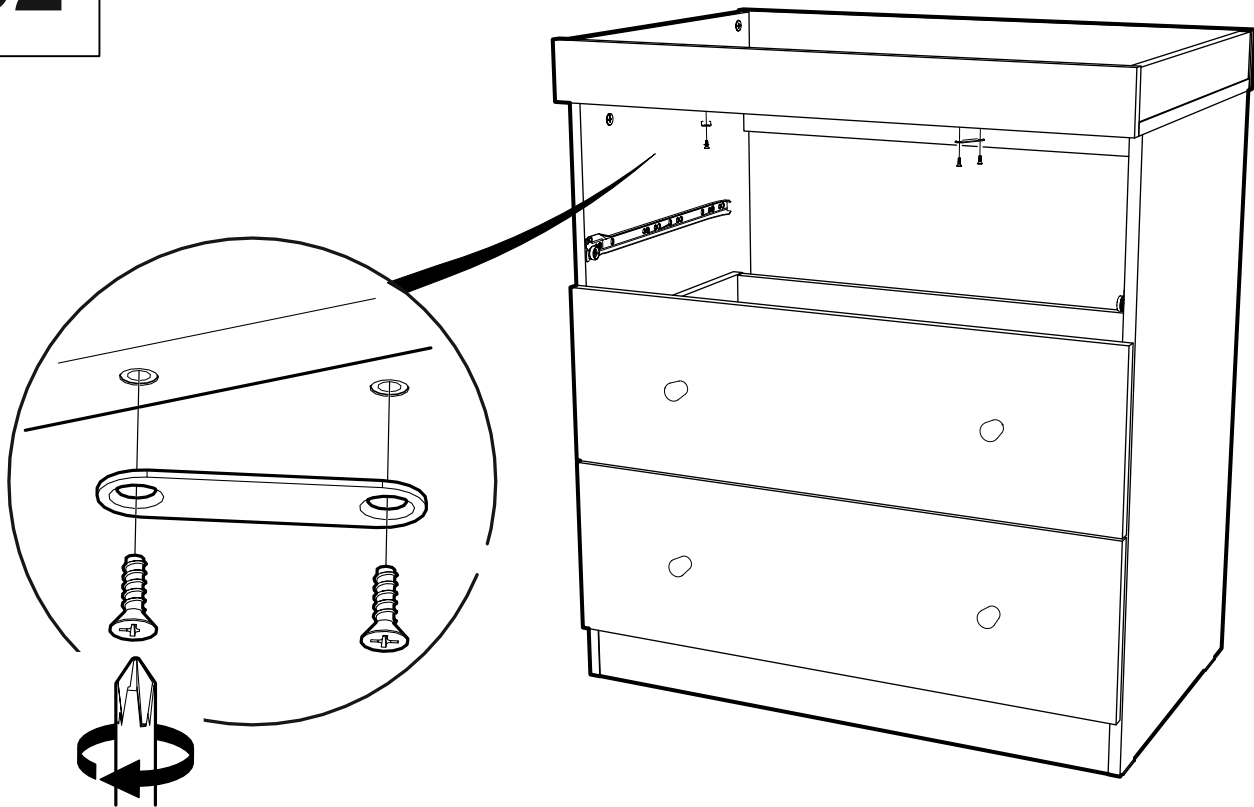
30



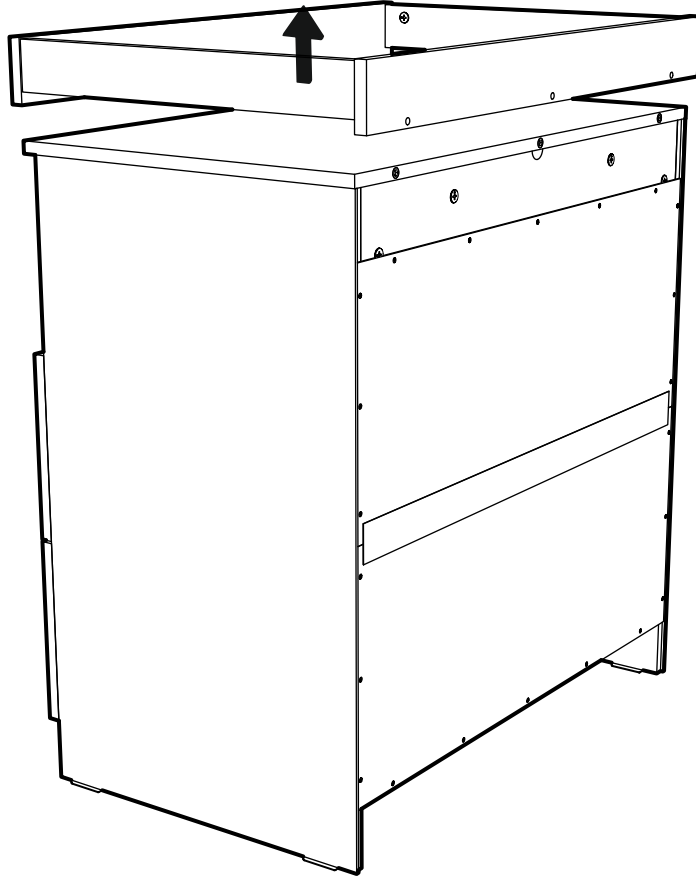
31



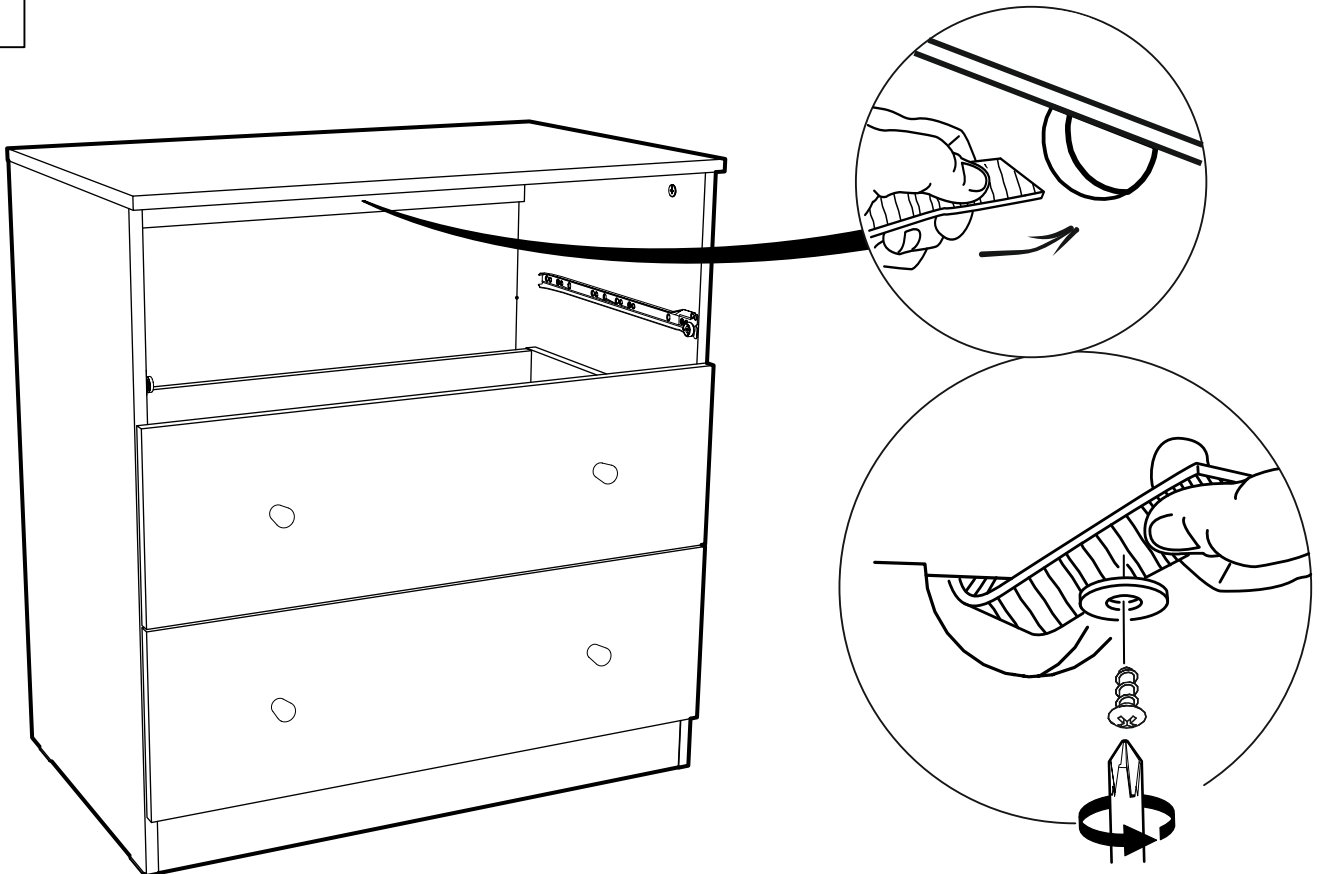
32



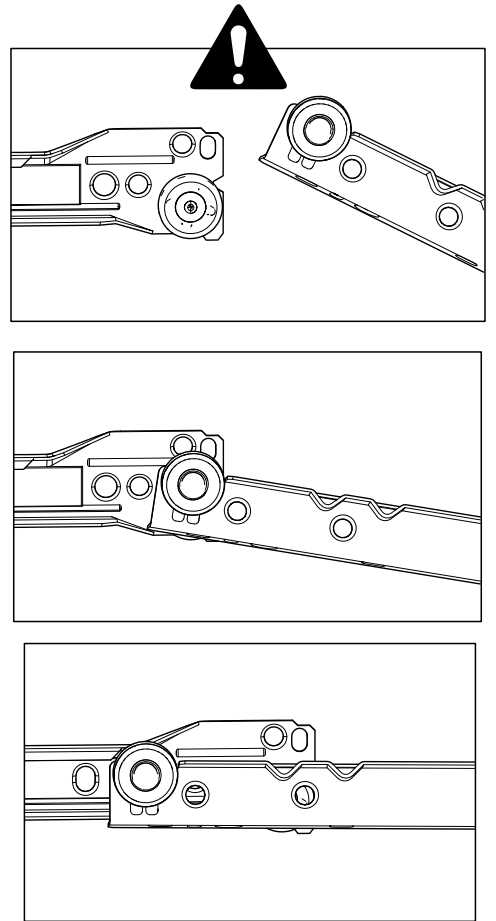
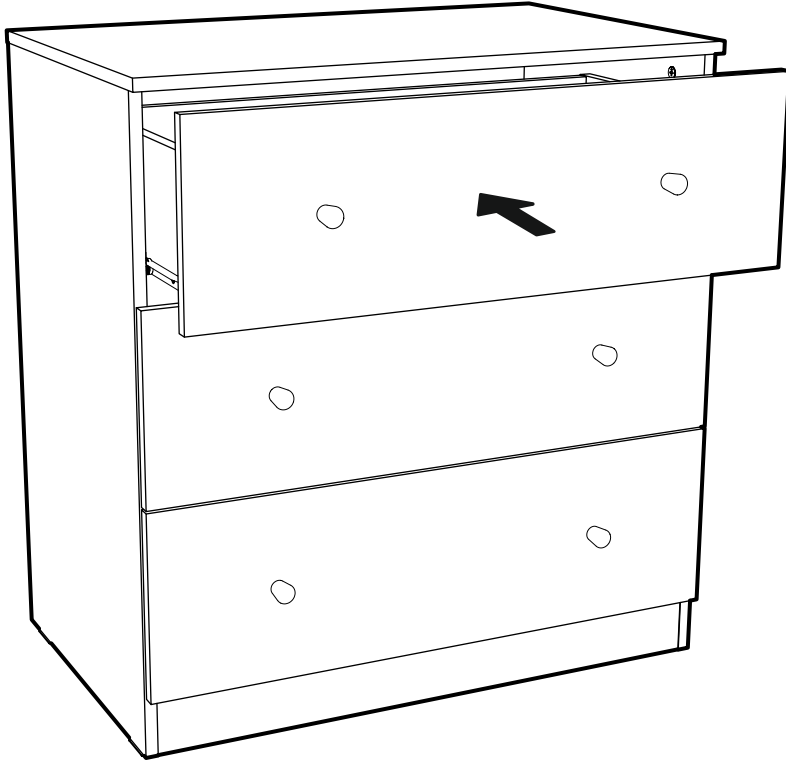
33



34



35



Safety

Warning: Do not leave your child unattended.

Always use the wall attachment strap provided.

All assembly fixings should always be tightened properly. Care should be taken that no screws are loose because a child could trap parts of their body, or clothing (e.g. strings, necklaces, ribbons, dummies, etc.) which could pose a risk of strangulation.

Be aware of the risks of open fires and other such sources of strong heat, such as electric bar fires, gas fires, etc. in the near vicinity of the dresser.

Suitable for use with a changing mat of max size 78x50 cm.

The changing area is suitable for use up to 12 months old or 11kg in weight.

Do not use the dresser if any of the parts are broken, torn or missing.

Any additional or replacement parts can only be obtained from the manufacturer or the distributor.

ensure there are no small parts fittings are left after assembly as these can be a choking hazard.

This product conforms to: EN 12221-1:2008+A1:2013

Maintenance

Take care when handling or moving the furniture. Careless handling may cause damage.

Regularly check that all fixings are tightened and that there are no broken or damaged parts.

Cleaning

Your dresser can be cleaned by wiping with a damp cloth and drying with a soft clean cloth. Do not use abrasives, bleach, alcohol or ammonia based household polishes.

Little Acorns

01952460696 and address:

The Malthouse,

Sheriffhales, Shifnal.

Shropshire TF11 8RD