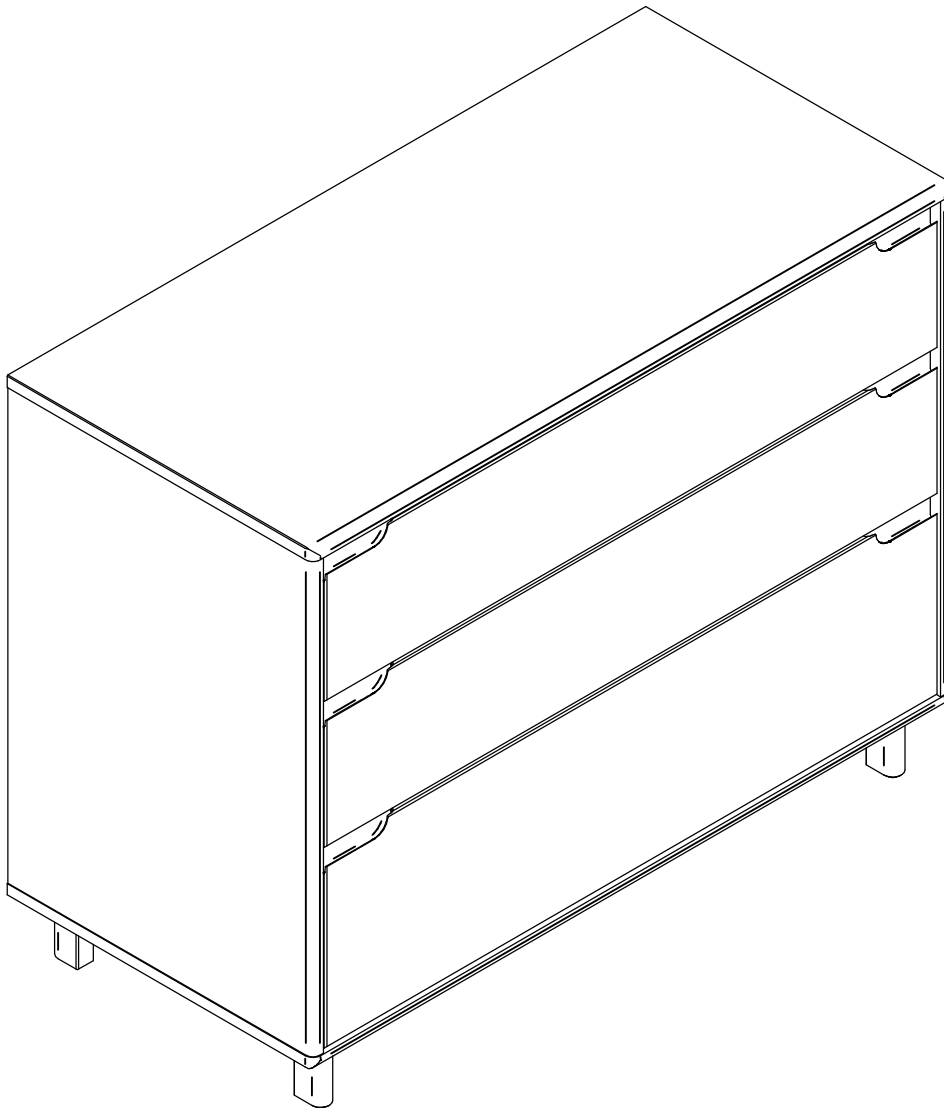


Anyday Format 3 Drawer Chest

Stock number: 80307703 / 80307708



H73 W92 D44cm

Thank you for purchasing the John Lewis Anyday Format 3 drawer chest. Please make sure you read the instructions and warnings carefully before proceeding to ensure safe and satisfactory operation of this product. At John Lewis and Partners we are committed to making great products, from our in-house design team to our buyers, we work together to bring great design to life.

Our expert Product Technologists work collaboratively with our buyers and suppliers to ensure the legality, safety, and quality of the product we sell.

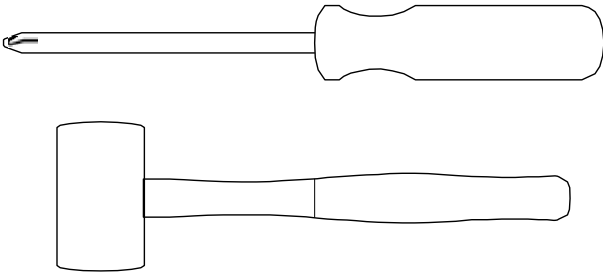
We are all committed to designing and developing products to the highest industry standard.

We hope you are happy with your product and welcome any feedback or comments you may have.

In commitment to preserving the environment our packaging is made up only of cardboard and this material ends up leaving small residues inside the box.

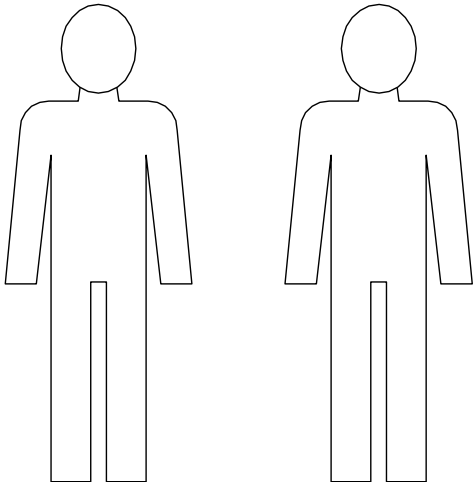
The John Lewis and Partners team.

Tools required



Time to assemble
1 hour including attaching to the wall

People to assemble



Important safety information

Warnings

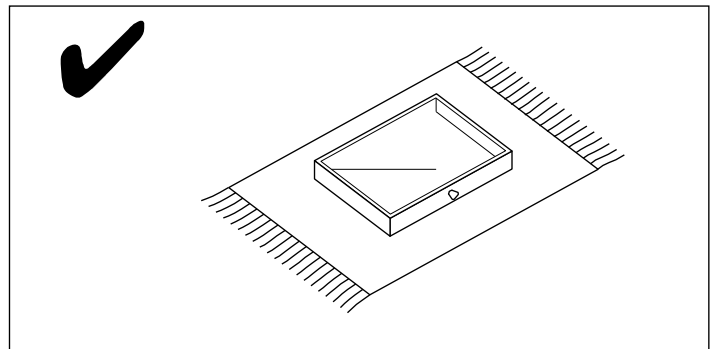
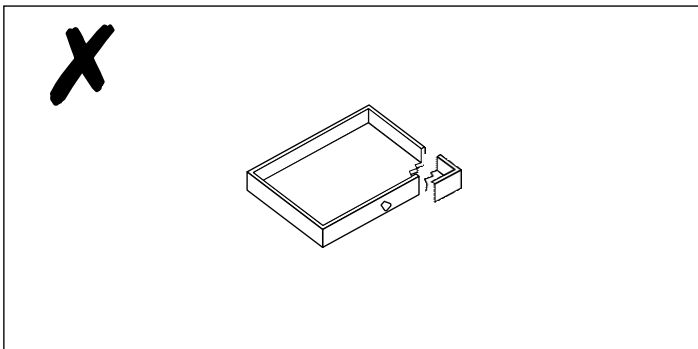
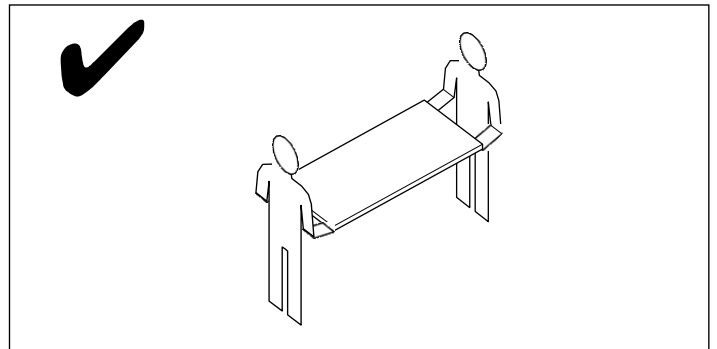
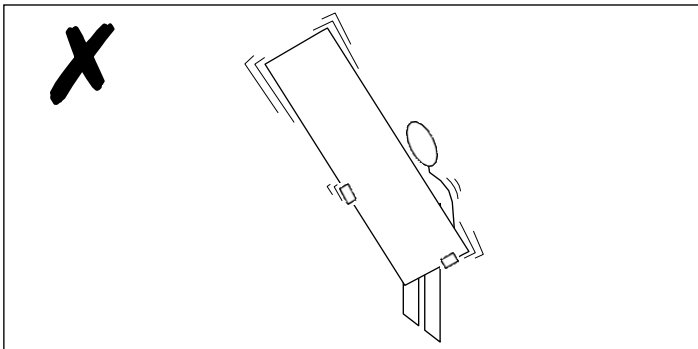
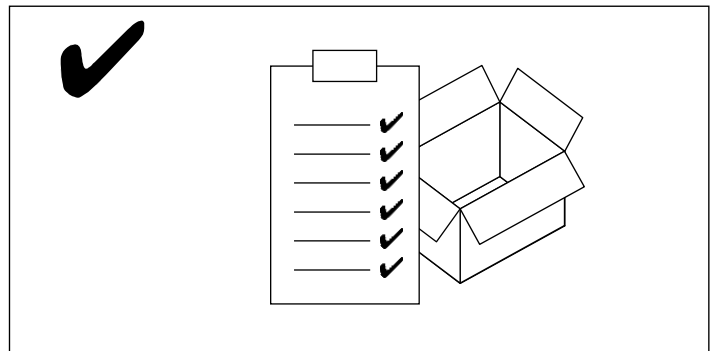
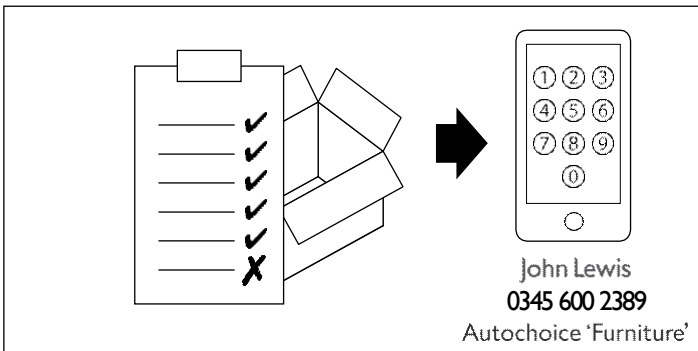
- ⚠ The product should only be used on firm
- ⚠ Keep small parts out of reach of children.
- ⚠ Ensure the product is fully assembled as illustrated before use.

Do's

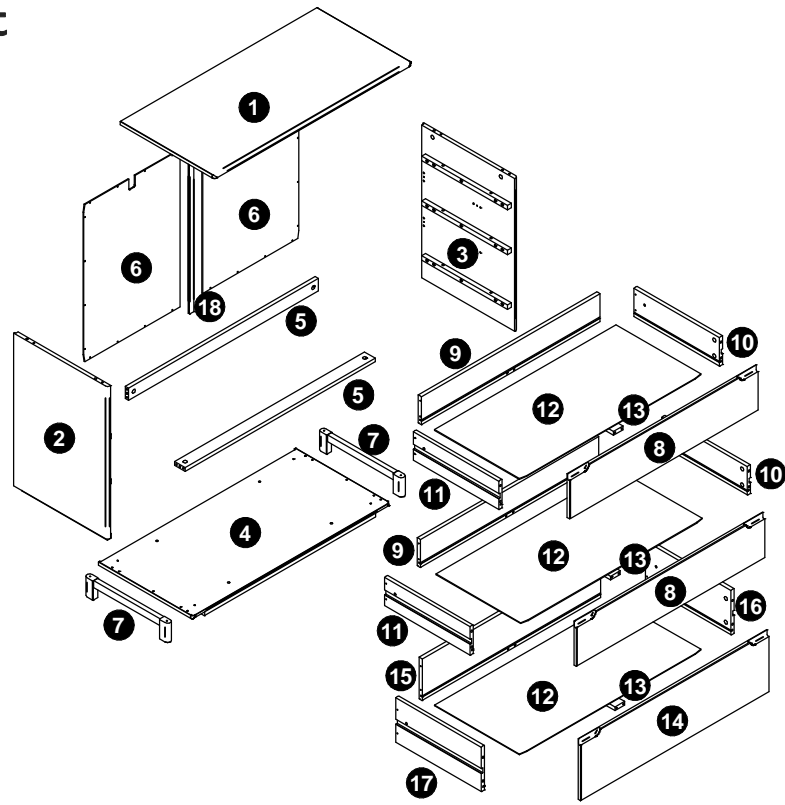
- ✓ Check the pack and make sure you have all the parts
- ✓ Check all screws or bolts are tightened and inspect regularly.
- ✓ Make sure the legs remain in contact with the ground at all times.

Don'ts

- ✗ Do not over tighten screws or bolts
- ✗ Do not stand on the product.
- ✗ Do not use power tools to construct as overtightening and panel failure may occur.



Your 3 Drawer Chest



Ref	Description	Dimensions	Qty
1	Top panel	920 x 440 x 35mm	1
2	L/H side panel	618 x 439 x 33mm	1
3	R/H side panel	618 x 439 x 33mm	1
4	Base	920 x 440 x 45mm	1
5	Back / middle rail	888 x 50 x 15mm	2
6	Back panel	637 x 450 x 3mm	2
7	Base feet	390 x 80 x 25mm	2
8	Small drawer front	882 x 178 x 15mm	2
9	Small drawer back	834 x 115 x 15mm	2
10	Drawer small right side	400 x 117 x 15mm	2
11	Drawer small left side	400 x 117 x 15mm	2
12	Drawer bottom	848 x 401 x 3mm	3
13	Drawer support	385 x 45 x 15mm	3
14	Drawer front	882 x 246 x 15mm	1
15	Drawer back	834 x 170 x 15mm	1
16	Drawer right side	400 x 182 x 15mm	1
17	Drawer left side	400 x 182 x 15mm	1
18	Vertical back rail	617 x 20 x 6,5mm	1

Stock number: 80307703 / 80307708

Internal dimensions

Chest overall size: H73 W92 D44cm

Internal cabinet overall size: H61,8 W88,8 D43,4cm

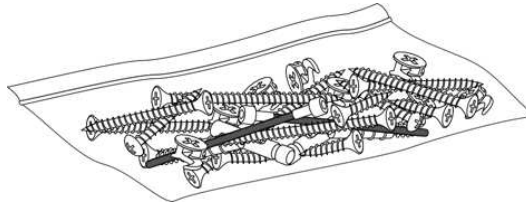
Smaller drawer internal size: H9,8 W83,4 D38,5cm

Larger drawer internal size: H17,8 W88,2 D41,5cm

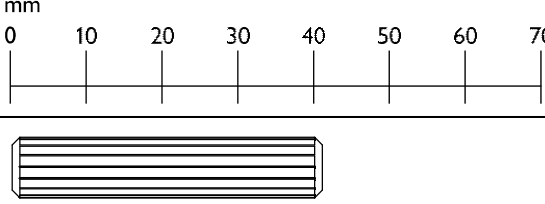


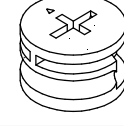
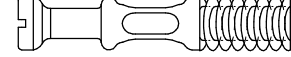


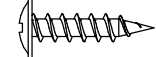
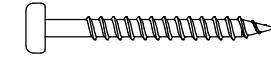
Smaller drawer size (parts 8,9,10,11,12,13): H16,3 W83,4 D38,5cm

Larger drawer size (parts 12,13,14,15,16,17): H24,6 W88,2 D41,5cm



Fixtures and fittings



Fixtures and fittings
supplied (actual size)

Ref	Description	Dimension	Qty	mm
A	Wooden dowels	8 x 40mm	6	
B	Wooden dowels	8 x 30mm	6	
C	Wooden dowels	6 x 30mm	28	
D	Camheads	9 x 14mm	20	
E	Cam rods	3,5 x 35mm	20	
F	Screw	M4 x 12mm	2	
G	Screw	5 x 50mm	10	
H	Screw	3 x 16mm	24	
J	Screw	3,5 x 30mm	12	

Fixtures and fittings
supplied (not actual size)

Ref	Description	Dimension	Qty	
L	Metal 'L' Bracket and screws to attach to product		2	
M	Wedges		3	

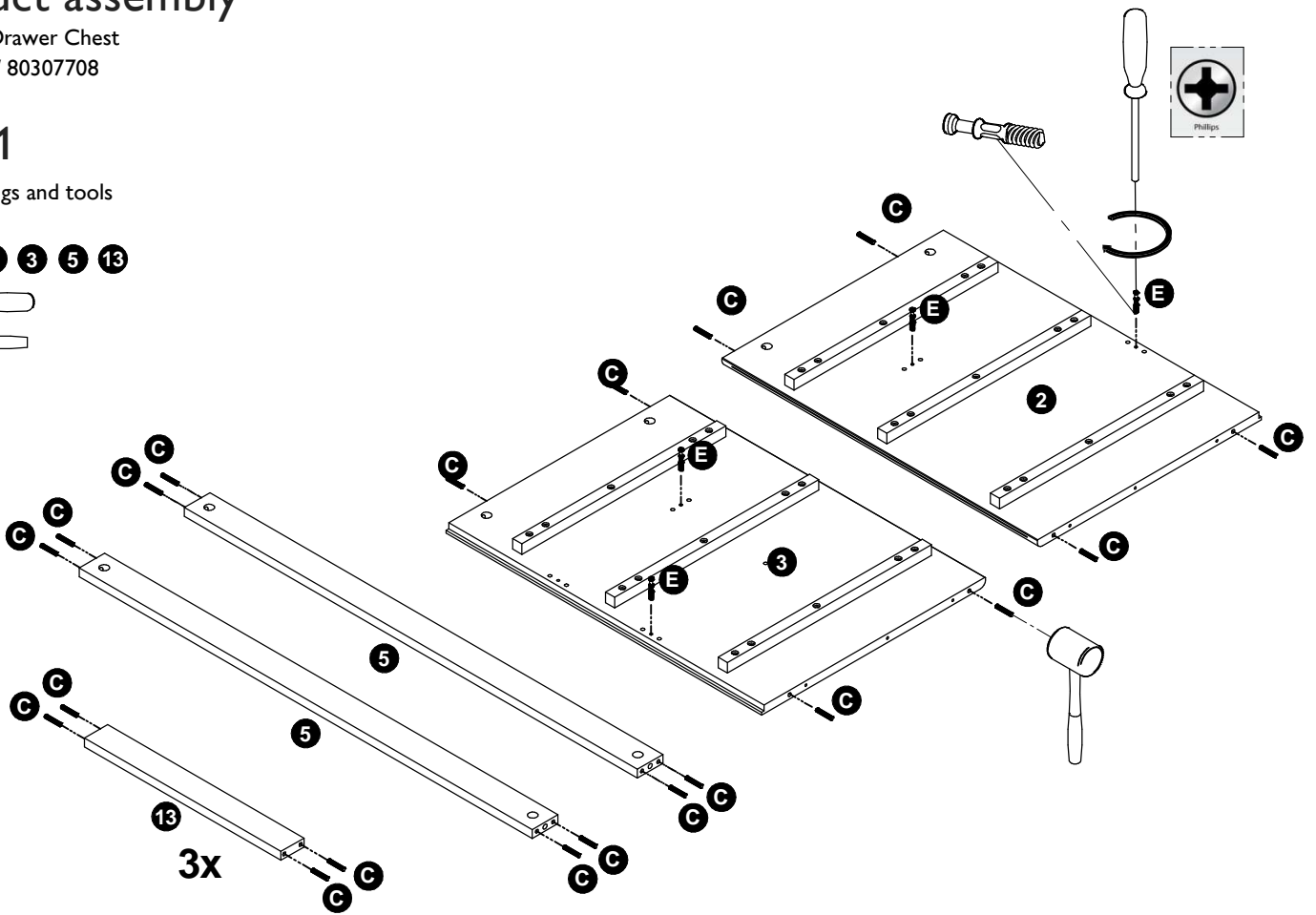
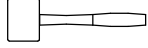
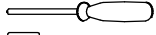
Product assembly

Format 3 Drawer Chest
80307703 / 80307708

Step 1

Parts, fittings and tools

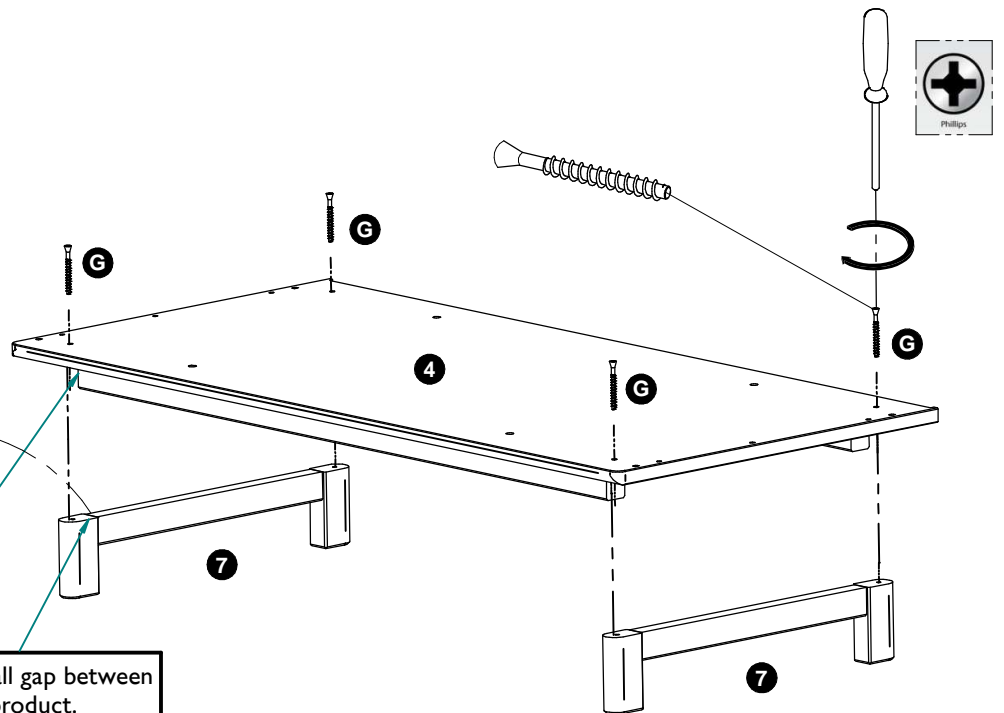
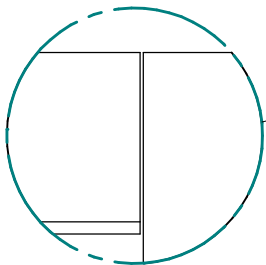
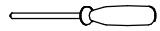
C E 2 3 5 13



Step 2

Parts, fittings and tools

G 4 7

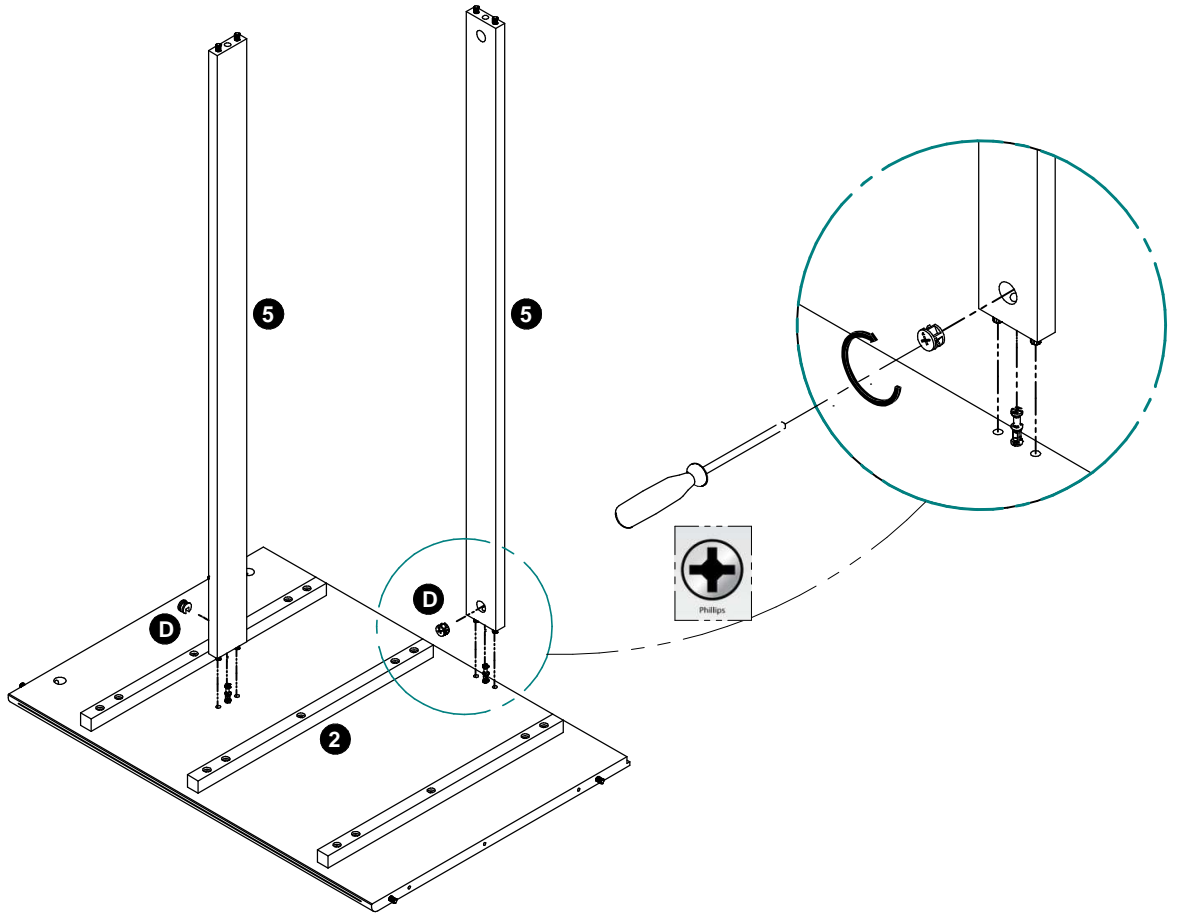
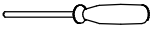


After assembling there might be a small gap between the horizontal rail and the foot of the product. This is intentional to easy assembling and prevent damage to the pieces.

Step 3

Parts, fittings and tools

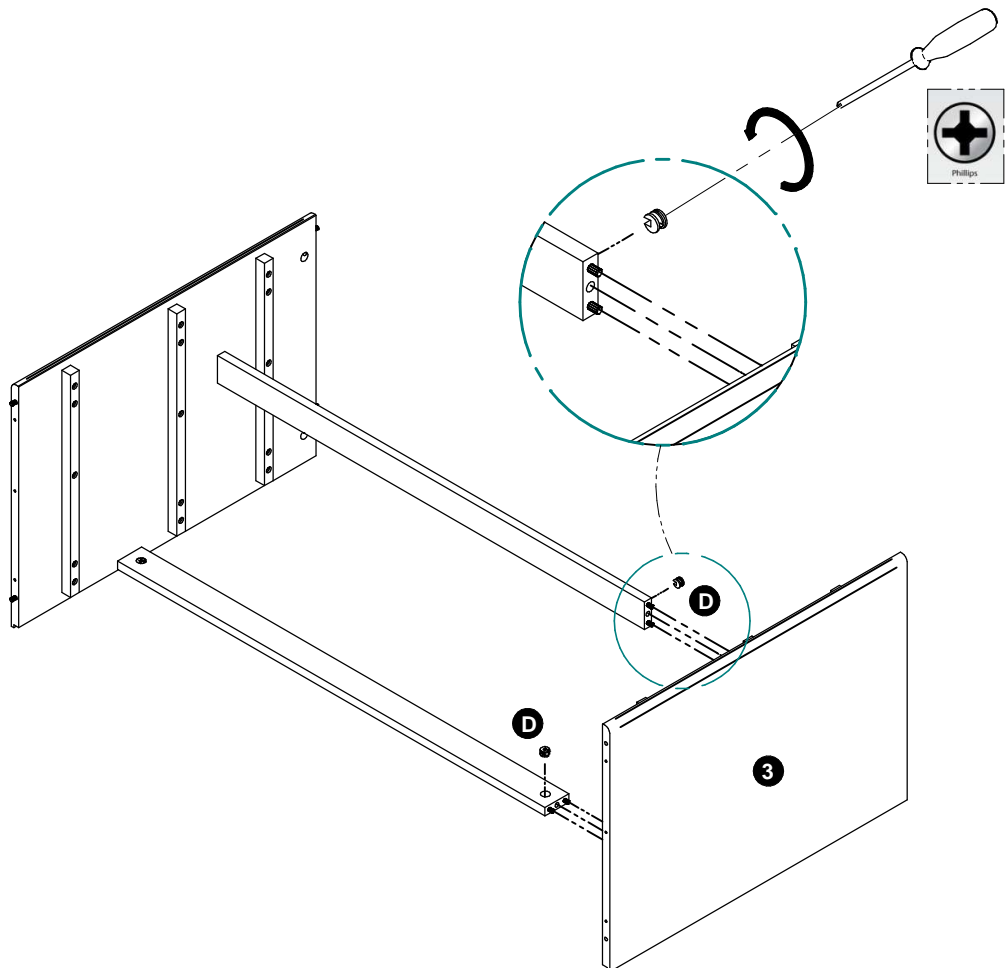
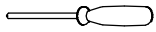
D **2** **5**



Step 4

Parts, fittings and tools

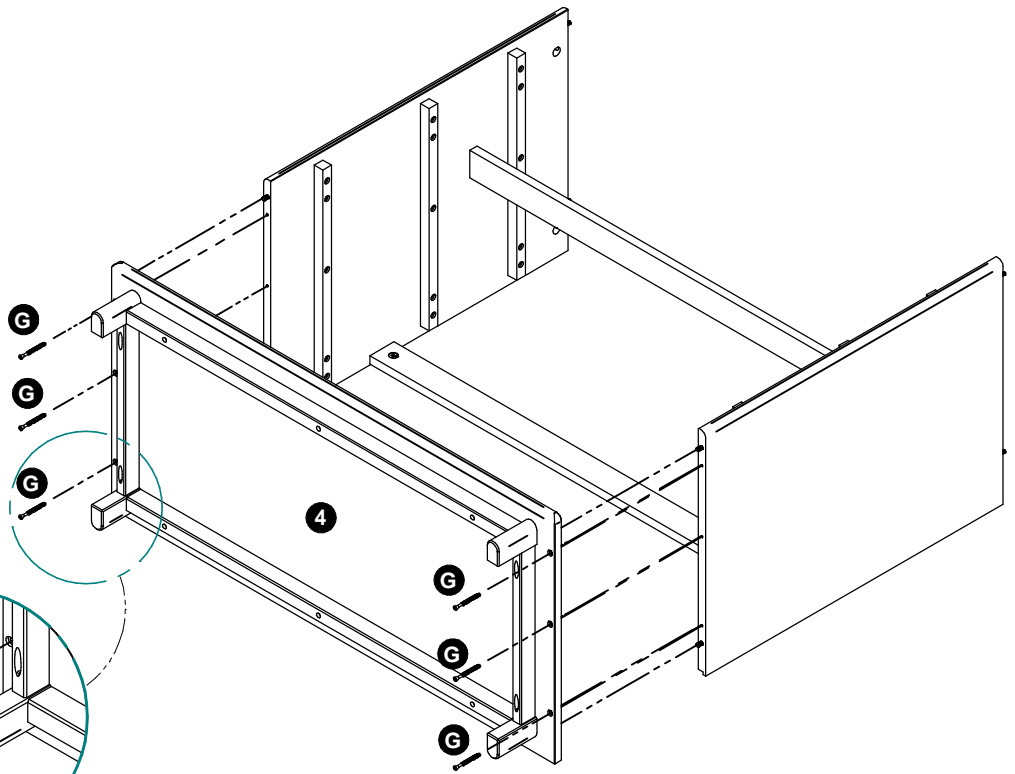
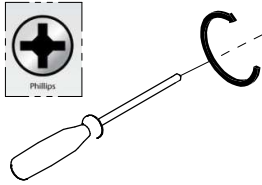
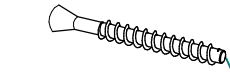
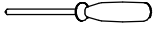
D **3**



Step 5

Parts, fittings and tools

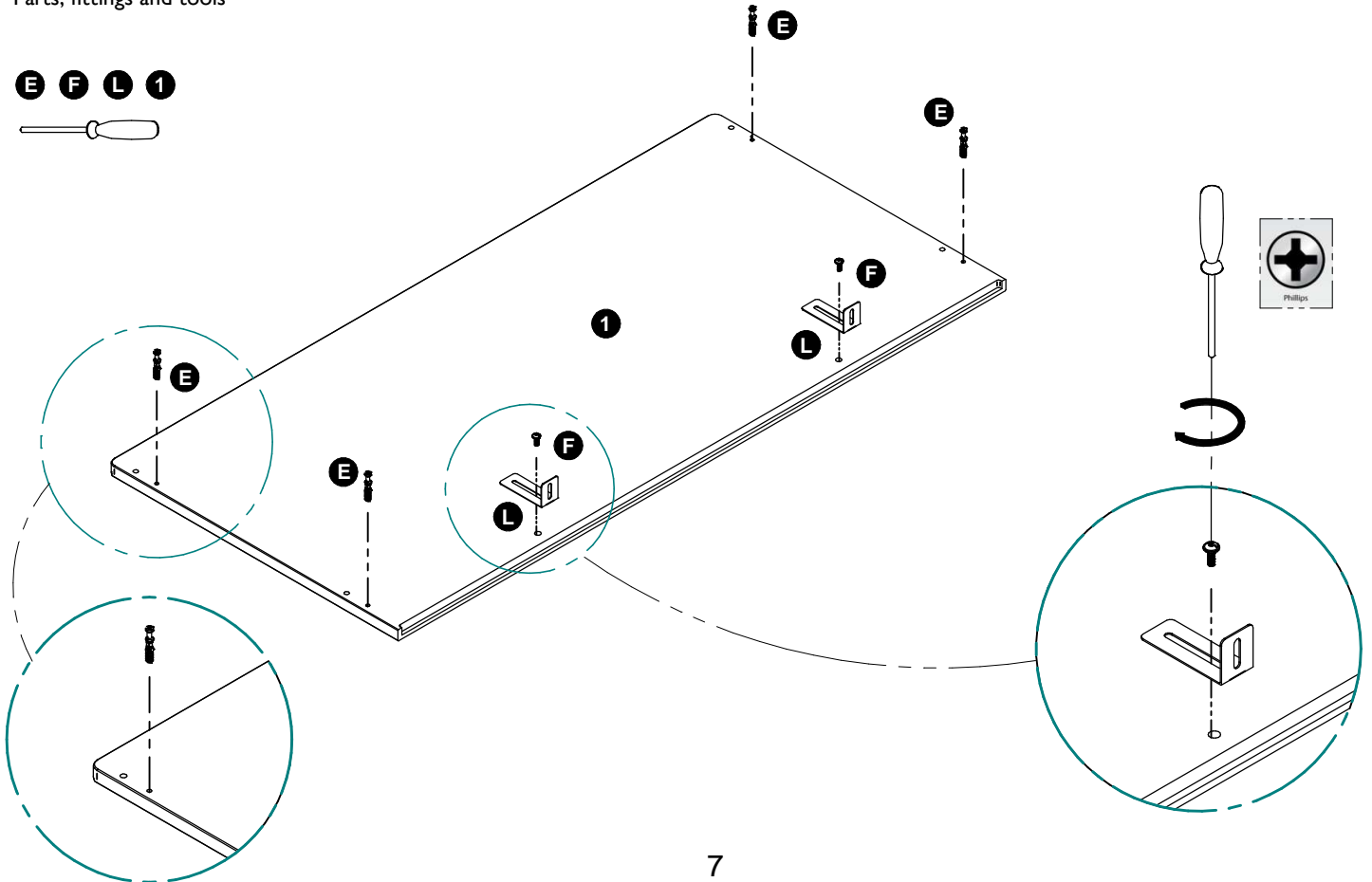
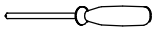
G 4



Step 6

Parts, fittings and tools

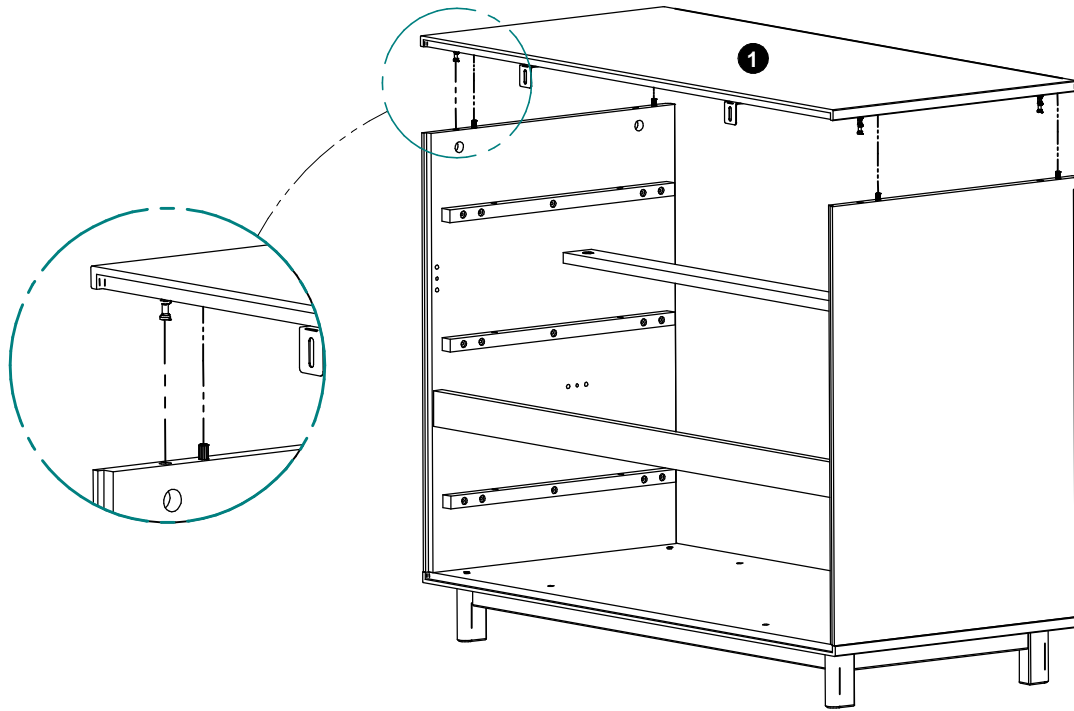
E F L 1



Step 7

Parts and fittings

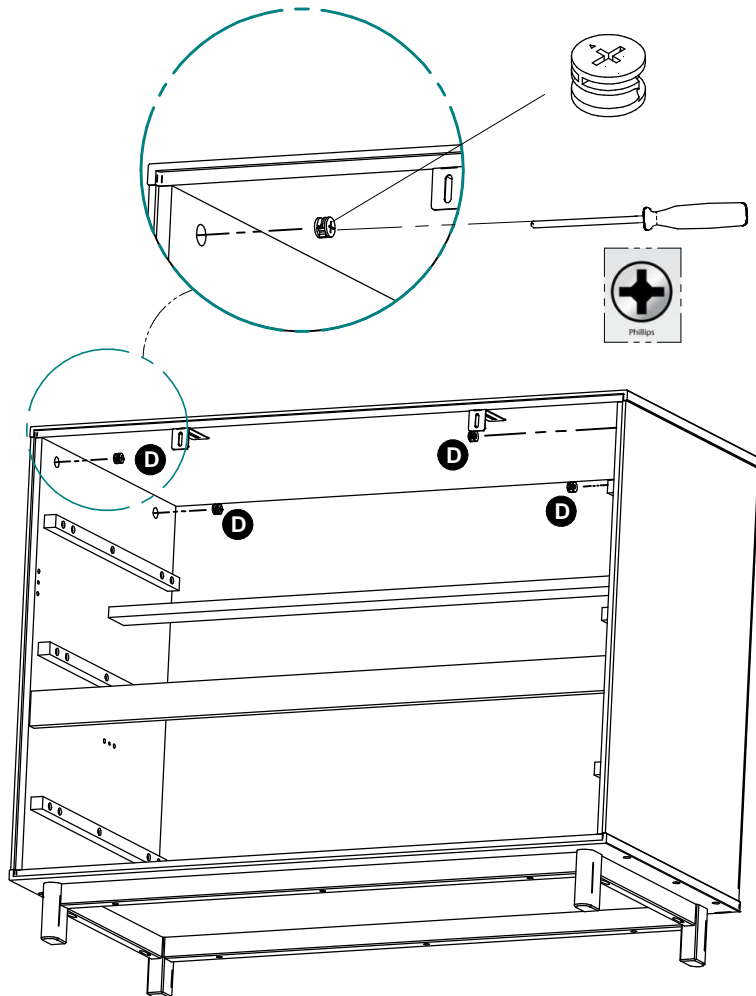
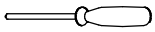
1



Step 8

Parts, fittings and tools

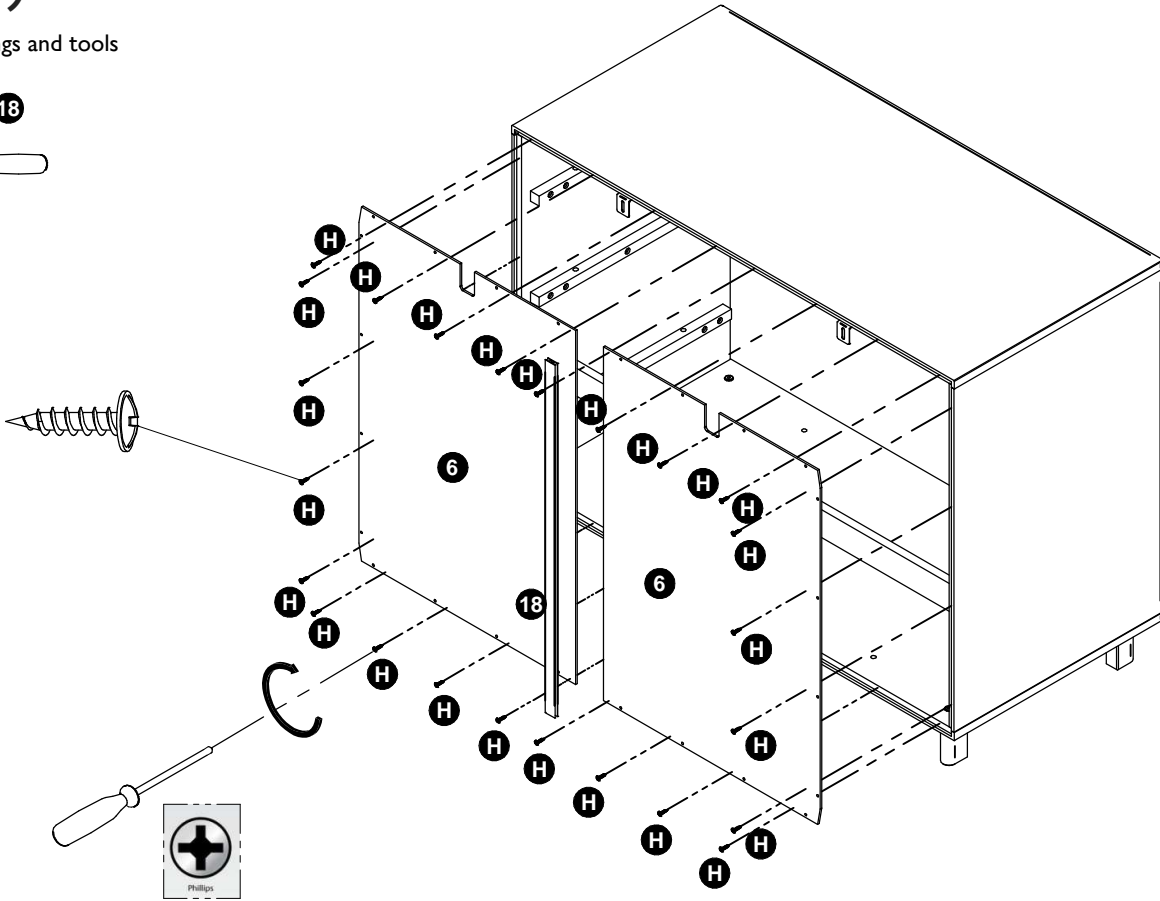
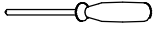
D



Step 9

Parts, fittings and tools

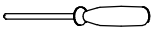
H 6 18



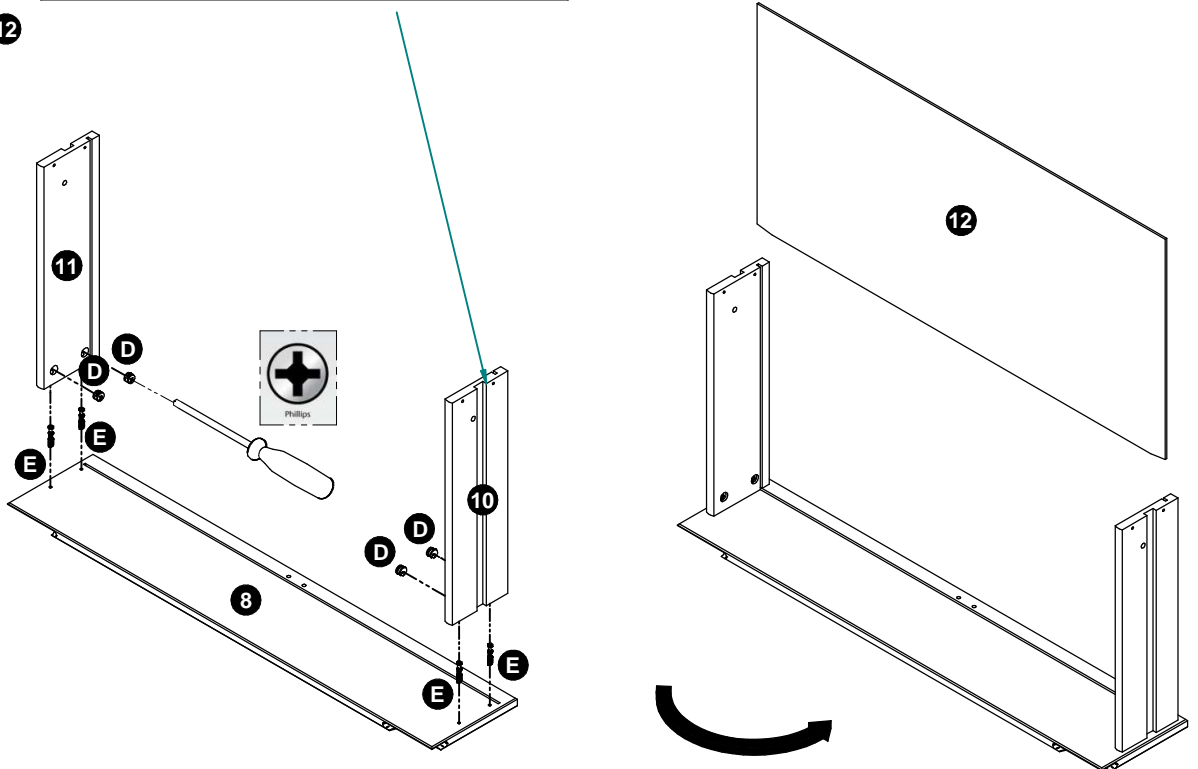
Step 10

Parts, fittings and tools

D E 8 10 11 12



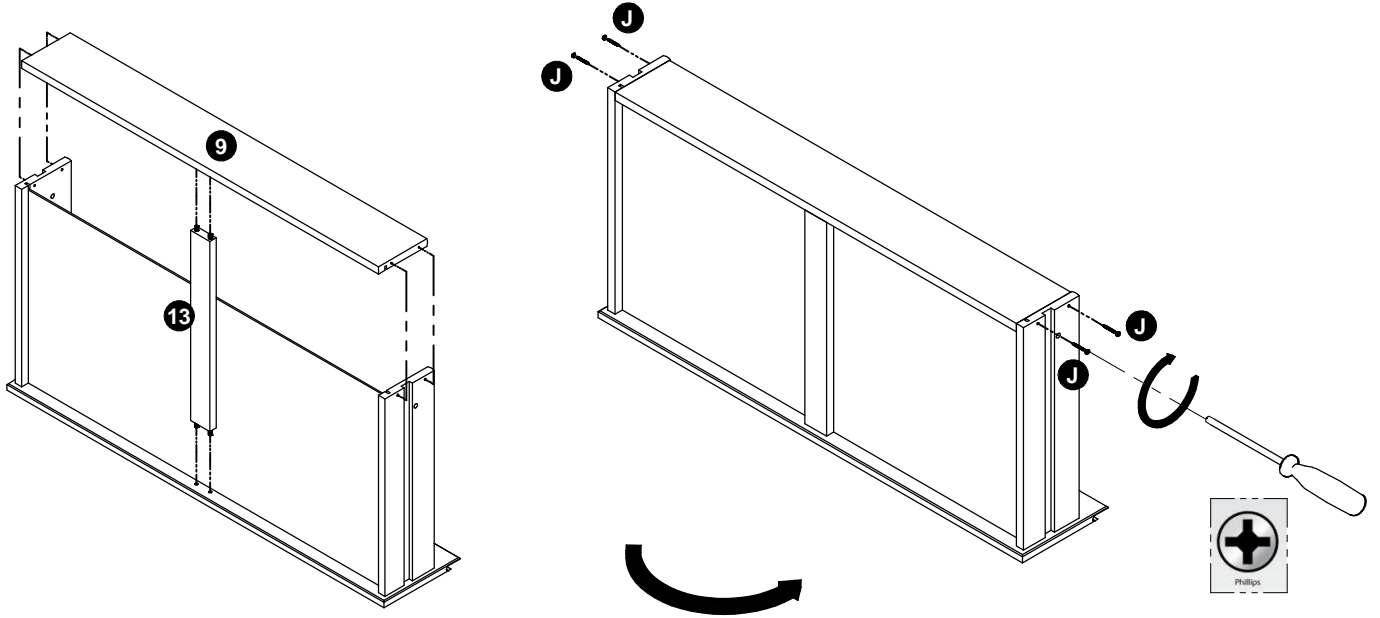
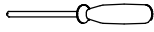
The runners are waxed and you will see residue, any residue seen is there to allow for ease of use when opening and closing the drawers.



Step 11

Parts, fittings and tools

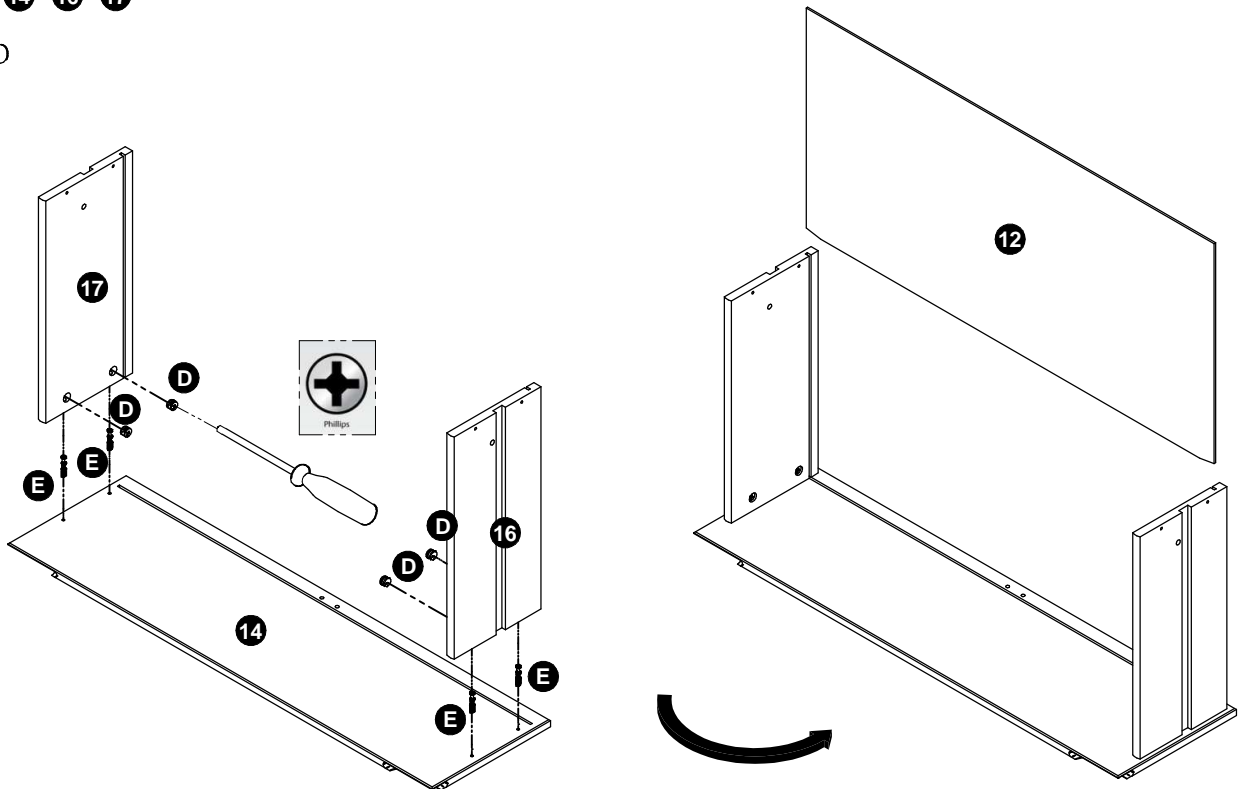
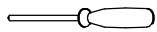
J 9 13



Step 12

Parts, fittings and tools

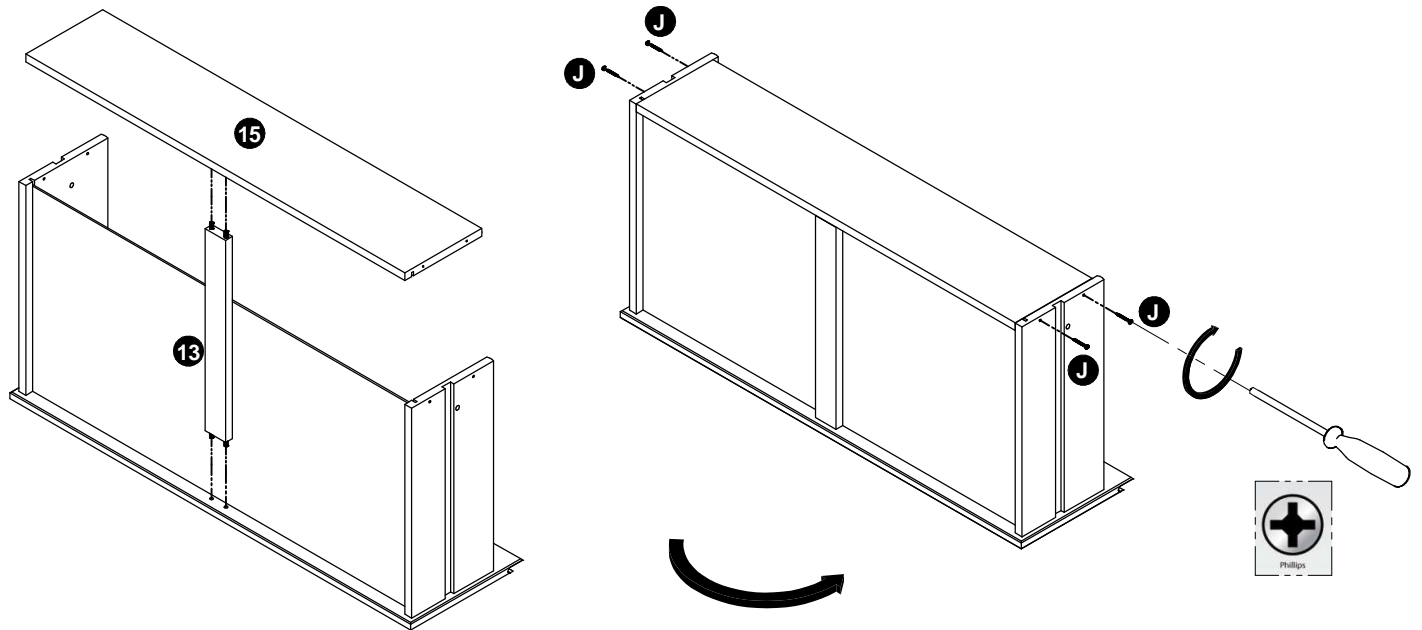
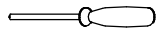
D E 12 14 16 17



Step 13

Parts, fittings and tools

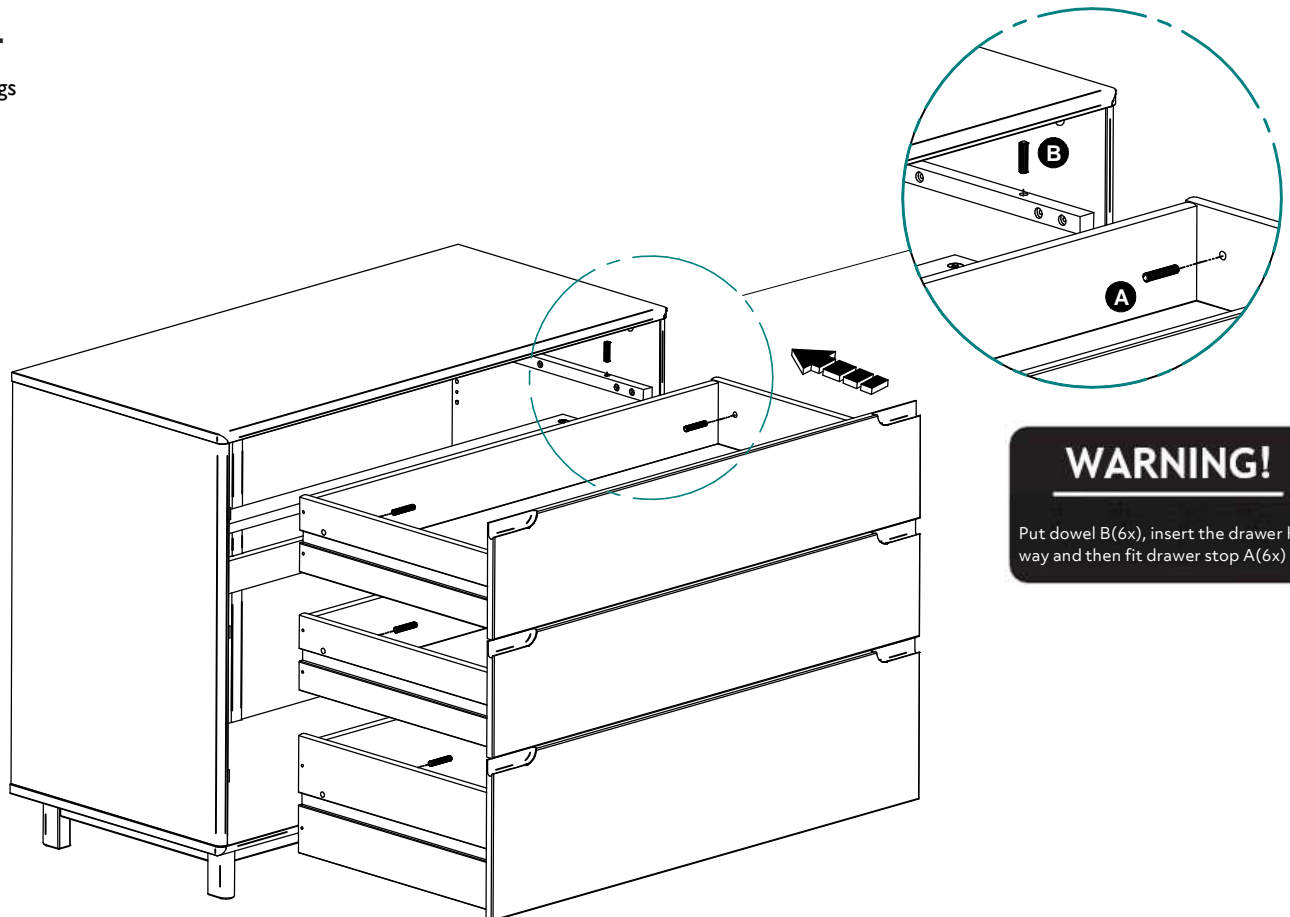
J 13 15



Step 14

Parts and fittings

A B



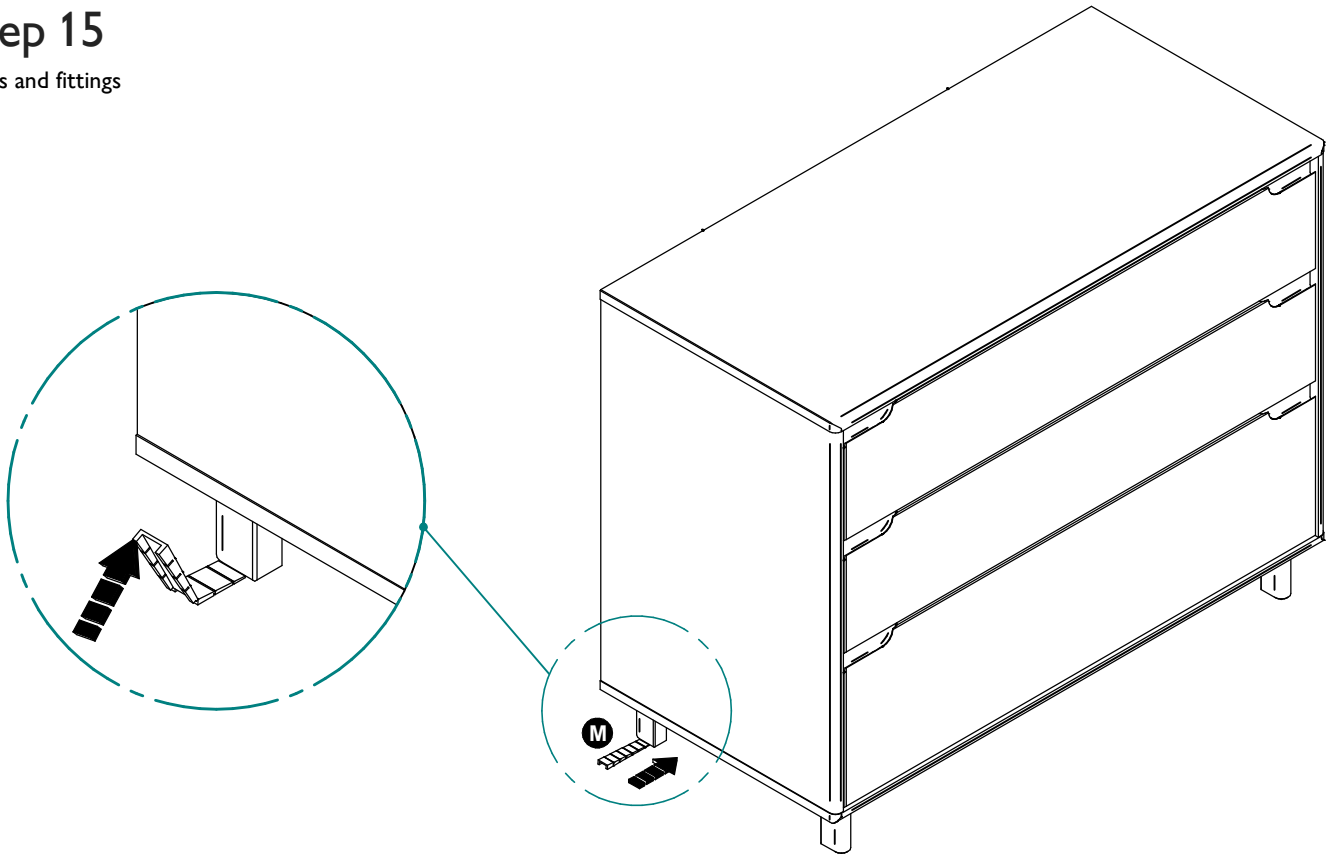
WARNING!

Put dowel B(6x), insert the drawer half way and then fit drawer stop A(6x)

Step 15

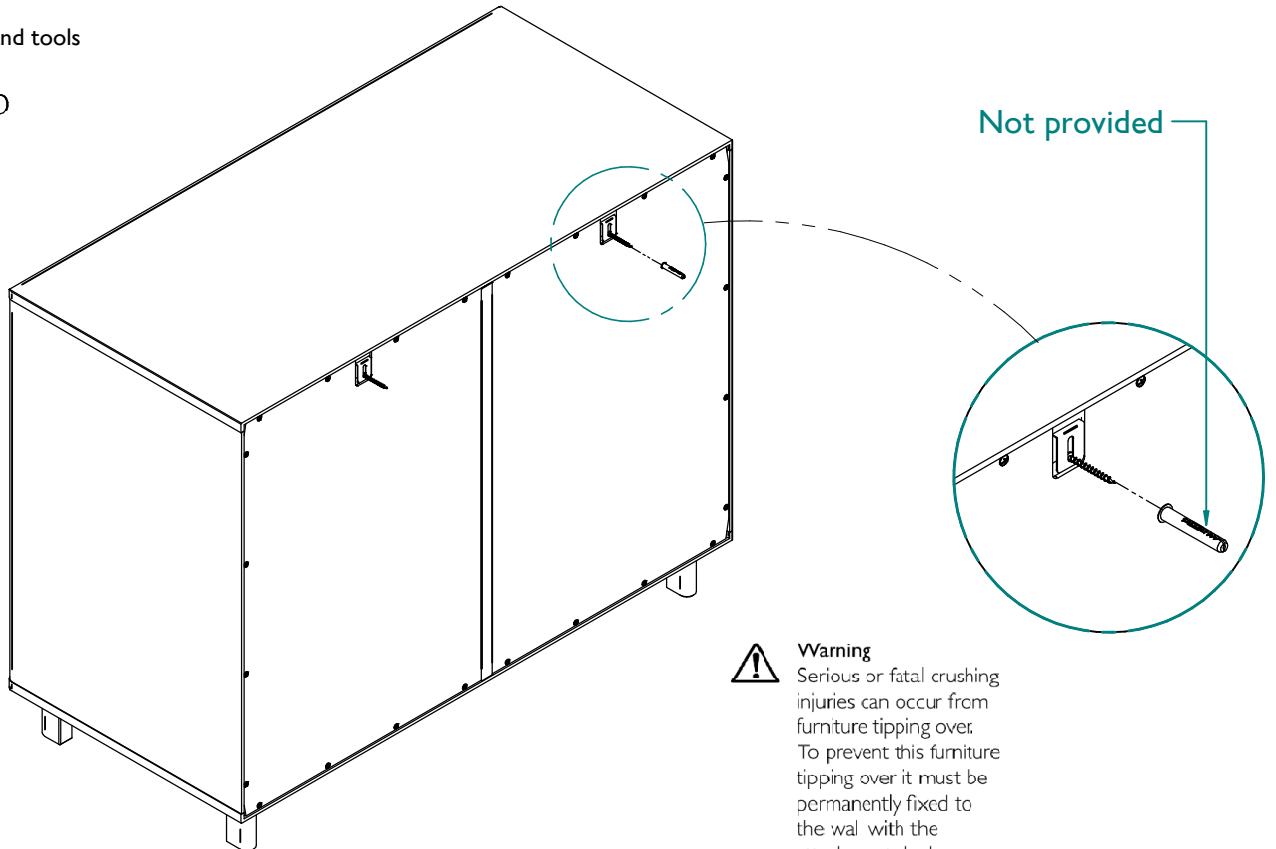
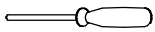
Parts and fittings

M



Step 16

Parts, fittings and tools



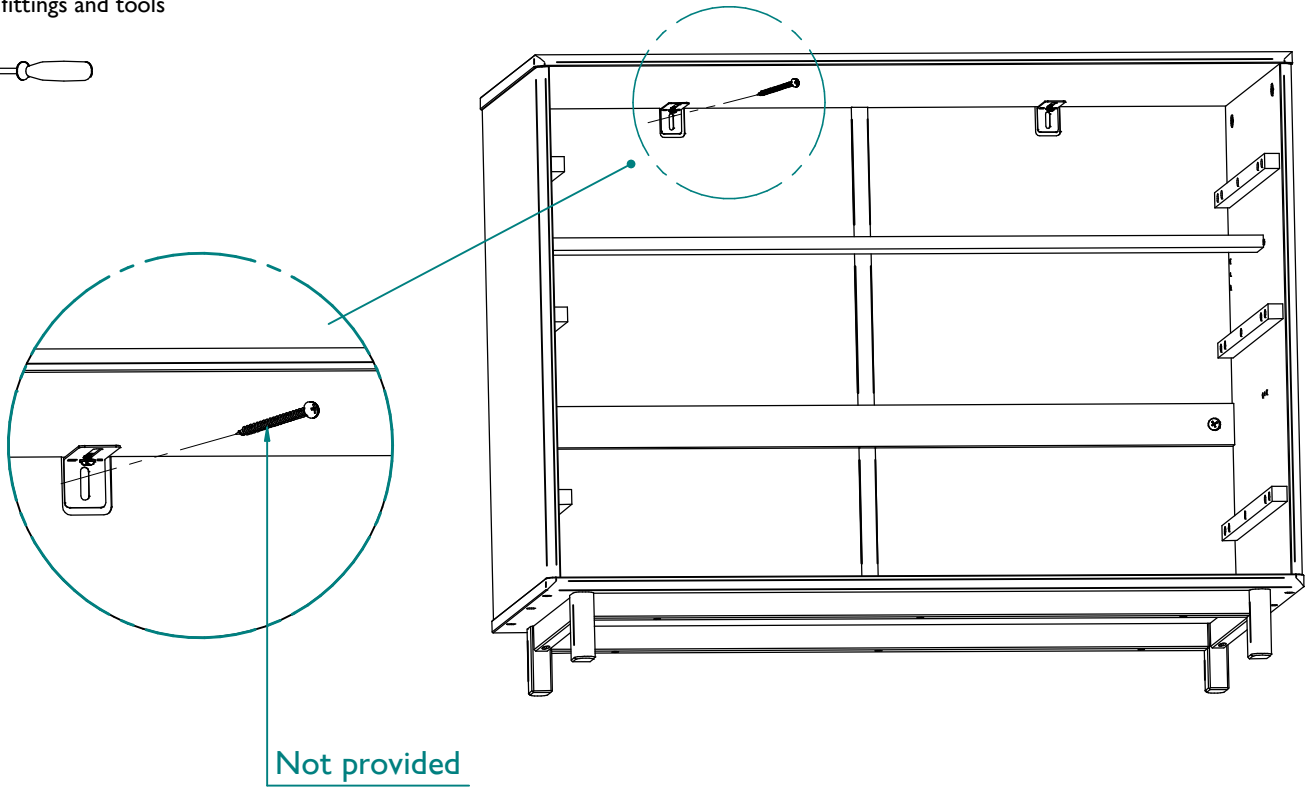
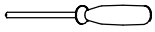
Not provided



Warning
Serious or fatal crushing injuries can occur from furniture tipping over. To prevent this furniture tipping over it must be permanently fixed to the wall with the attachment device provided.

Step 17

Parts, fittings and tools



Not provided

Wall attached item only:

A guide to wall mounting and fixings

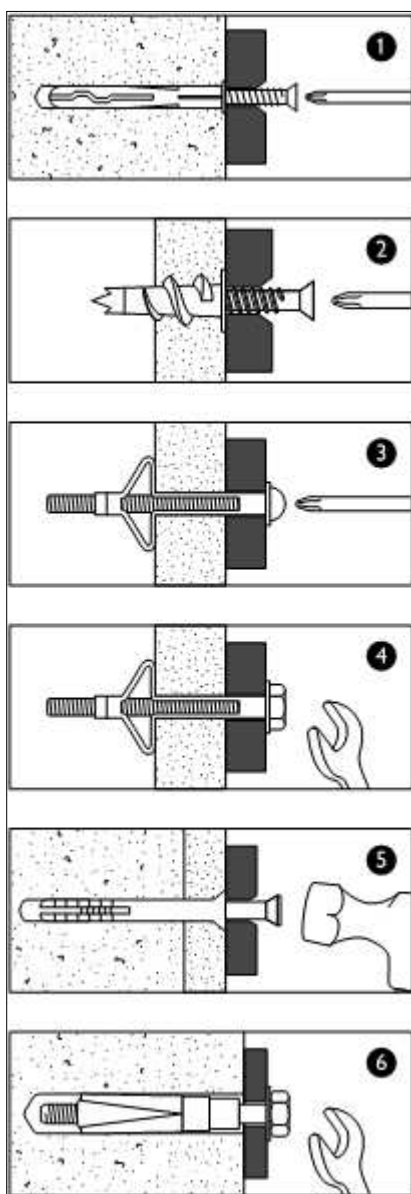


Warning

In order to prevent overturning this product must be used with the wall attachment device provided. Wall fixing screws are not included, since different wall materials require different types of screws / fixings. Please ensure you use the correct screws / fixings for your type of walls and seek professional advice if you are not sure.

Installation shall be carried out exactly according to the instructions provided – otherwise a safety risk can occur if incorrectly installed. Failure of the product due to incorrect fixings is the responsibility of the installer.

Important: When drilling into the walls always check that there are no hidden wires or pipes etc.



Types of walls

You can use one of the following types of wall plug if your walls are made of brick, breezeblock, concrete, stone or wood.

1. General Purpose wall plug

Generally aerated blocks should not be used to support heavy loads, use a specialist fitting in this case. For light loads, general - purpose wall plugs can be used.

2. Plasterboard wall plug

For use when attaching light loads on to plasterboard partitions.

3. Cavity Fixing wall plug

For use with plasterboard partitions or hollow wooden doors.

4. Cavity Fixing – Heavy Duty wall plug

For use when fitting or supporting heavy loads such as shelving, wall cabinets and coat racks.

5. Hammer Fixing wall plug

For use with walls stuck with plasterboard. The hammer fixing allows it to be fixed to the wall rather than the plasterboard. Always check the fixing is secure to the retaining wall.

6. Shield Anchor wall plug – Heavy loads

For use with heavier loads such as TV and Hi-Fi speakers and satellite dishes etc.



Care and maintenance

Safety: Periodically check all fittings and wall fixings to ensure they have not come loose and retighten as necessary.

Care guide

Care and maintenance

Painted furniture

The Anyday Format range combines two methods of painting: UV coating (ultraviolet) and PU (polyurethane) paint finish. The combination of these processes guarantees the best finishing on furniture. Some painted furniture may present a distinct smell. This is characteristic of new furniture and should fade within time.

How to care for your furniture

Protect your furniture from direct sunlight, it could change the color of your piece. To clean, use a clean, slightly damp cloth and then dry the surface. Do not use chemical or abrasive products for cleaning. Avoid sharp objects on the surface of furniture.

Make sure all surfaces are protected from heat and liquids by mats and coasters. Wipe up spills immediately and ensure that a mat or pad is placed under paper if you are writing.

Our furniture will endure most temperatures in the home, but it is best to avoid placing furniture next to heat sources such as radiators or fires. The lack of humidity caused by home heating can cause damage such as warping.

Safety instructions

Never drag furniture when moving it, always lift it.

Periodically check all fixings to ensure none have come loose and retighten when necessary.

Please take care when handling or moving the furniture as careless handling may cause damage or injury.

Furniture can be dangerous if incorrectly installed. Assembly should be carried out by a competent person. No liability will be accepted for damage or injury caused by incorrectly installed or assembled furniture.

Retain these instructions for future reference.

Your feedback is important to us and we would love to hear your comments on your new furniture. Please visit our website to leave a review. Thank you.

John Lewis Partnership
171 Victoria Street
London SW1E 5NN

johnlewis.com